



US00D519990S

(12) **United States Design Patent**
Lazor

(10) **Patent No.:** **US D519,990 S**

(45) **Date of Patent:** **** May 2, 2006**

(54) **SUPPORT MECHANISM WITH
ARTICULATED ARM FOR A MICROPHONE**

(76) Inventor: **Robert F. Lazor**, 22371 Cottage Hill
Dr., Grass Valley, CA (US) 95949

(**) Term: **14 Years**

(21) Appl. No.: **29/231,272**

(22) Filed: **Jun. 1, 2005**

(51) **LOC (8) Cl.** **14-01**

(52) **U.S. Cl.** **D14/229**

(58) **Field of Classification Search** D14/225-229;
379/430; 181/129-130; 381/381; D8/349,
D8/354, 355, 363, 373, 380; 211/150, 168,
211/134, 144, 171; 248/103, 278.1, 292,
248/11, 324, 593, 596, 568, 273, 284.1; 403/54,
403/103, 110; 362/419, 422, 430, 429
See application file for complete search history.

(56) **References Cited**

U.S. PATENT DOCUMENTS

1,380,121	A	*	5/1921	Stitzer	403/54
1,823,649	A	*	9/1931	Goldberg et al.	248/278.1
2,019,473	A	*	11/1935	Anton	248/278.1
2,144,827	A	*	1/1939	Anton	248/278.1
2,466,722	A	*	4/1949	May	248/278.1
2,605,069	A	*	7/1952	Gillaspy	248/103
3,193,674	A	*	7/1965	Fleming	362/430
3,417,953	A	*	12/1968	Hillquist et al.	248/284.1
3,426,190	A	*	2/1969	Bobrick	248/284.1

D411,097	S	*	6/1999	Brousseau et al.	D8/349
D432,526	S	*	10/2000	Claesson	D14/228
D466,397	S	*	12/2002	Marwick	D8/373

* cited by examiner

Primary Examiner—Paula A. Greene

(74) *Attorney, Agent, or Firm*—Pamela W. Bertani;
Weintraub Genshlea Chediak

(57) **CLAIM**

The ornamental design for a support mechanism with articulated arm for a microphone, as shown and described.

DESCRIPTION

FIG. 1 is a perspective view of a support mechanism with articulated arm for a microphone.

FIG. 2 is a left side view thereof.

FIG. 3 is a right side view thereof.

FIG. 4 is a top view thereof.

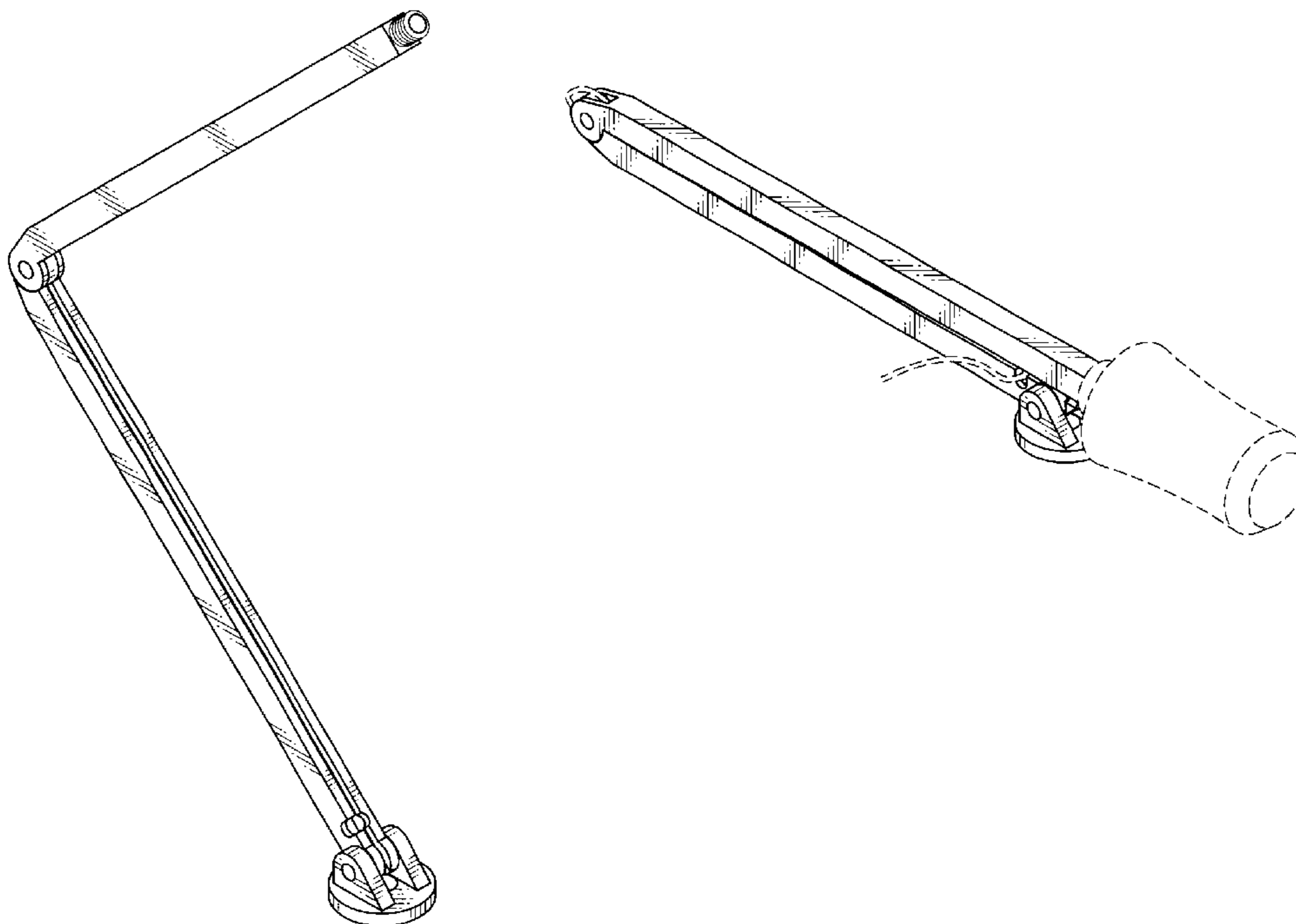
FIG. 5 is a bottom view thereof.

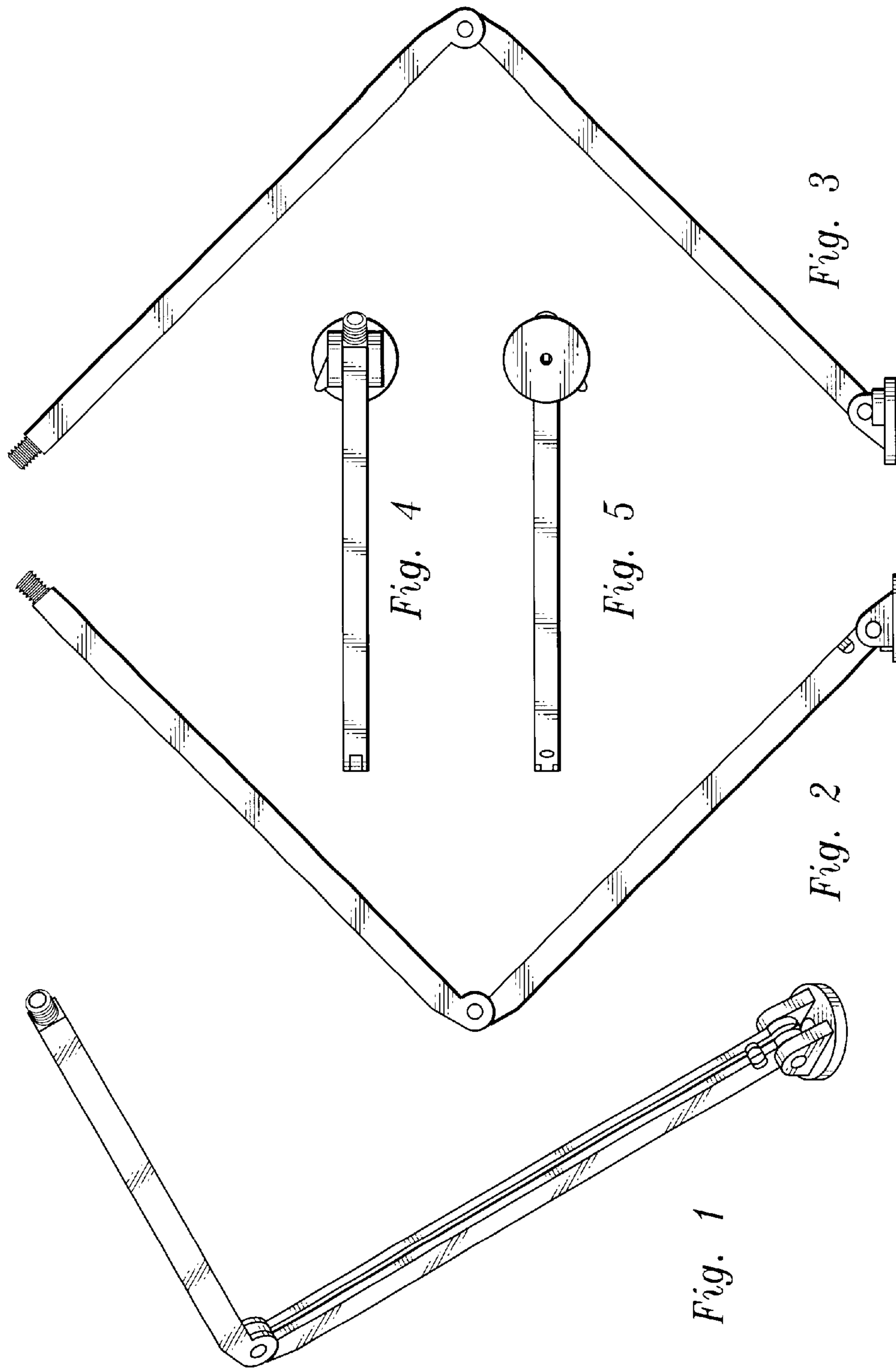
FIG. 6 is a rear view thereof.

FIG. 7 is a front view thereof.

FIG. 8 is a fully opened perspective view thereof, showing my new design in full lines with broken lines showing of environmental association matter being for illustrative purposes only and forming no part of the claimed design; and, FIG. 9 is a fully closed perspective view thereof, showing my new design in full lines with broken lines showing of environmental association matter being for illustrative purposes only and forming no part of the claimed design.

1 Claim, 2 Drawing Sheets





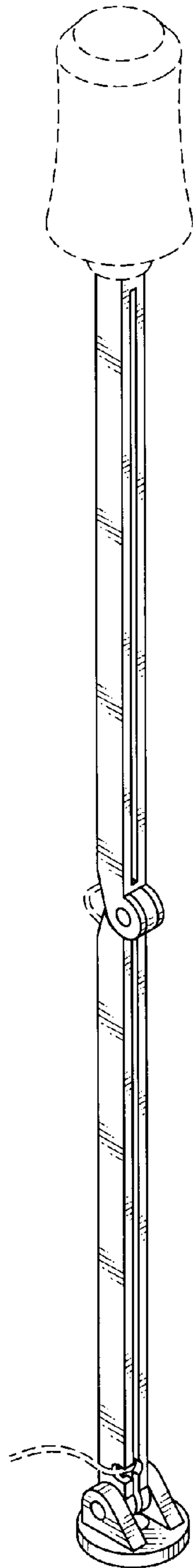


Fig. 8

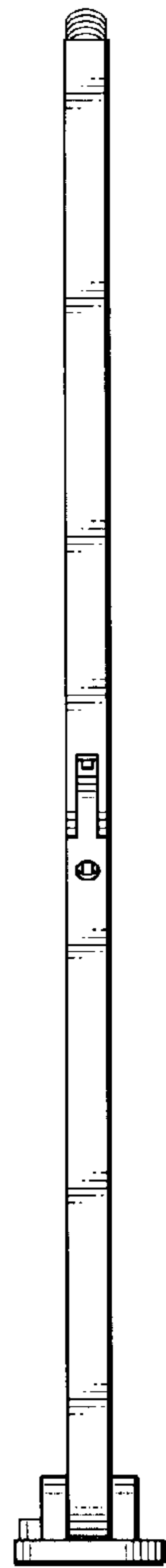


Fig. 6

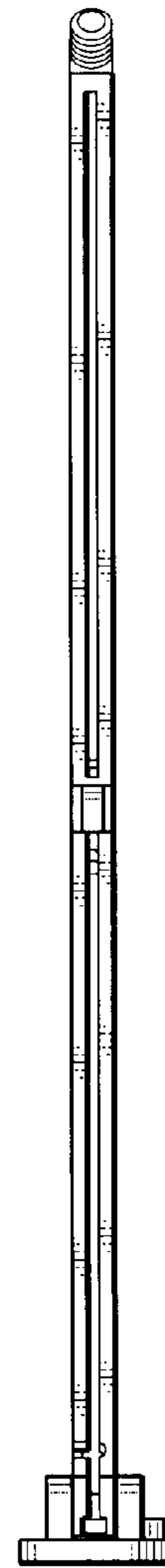


Fig. 7

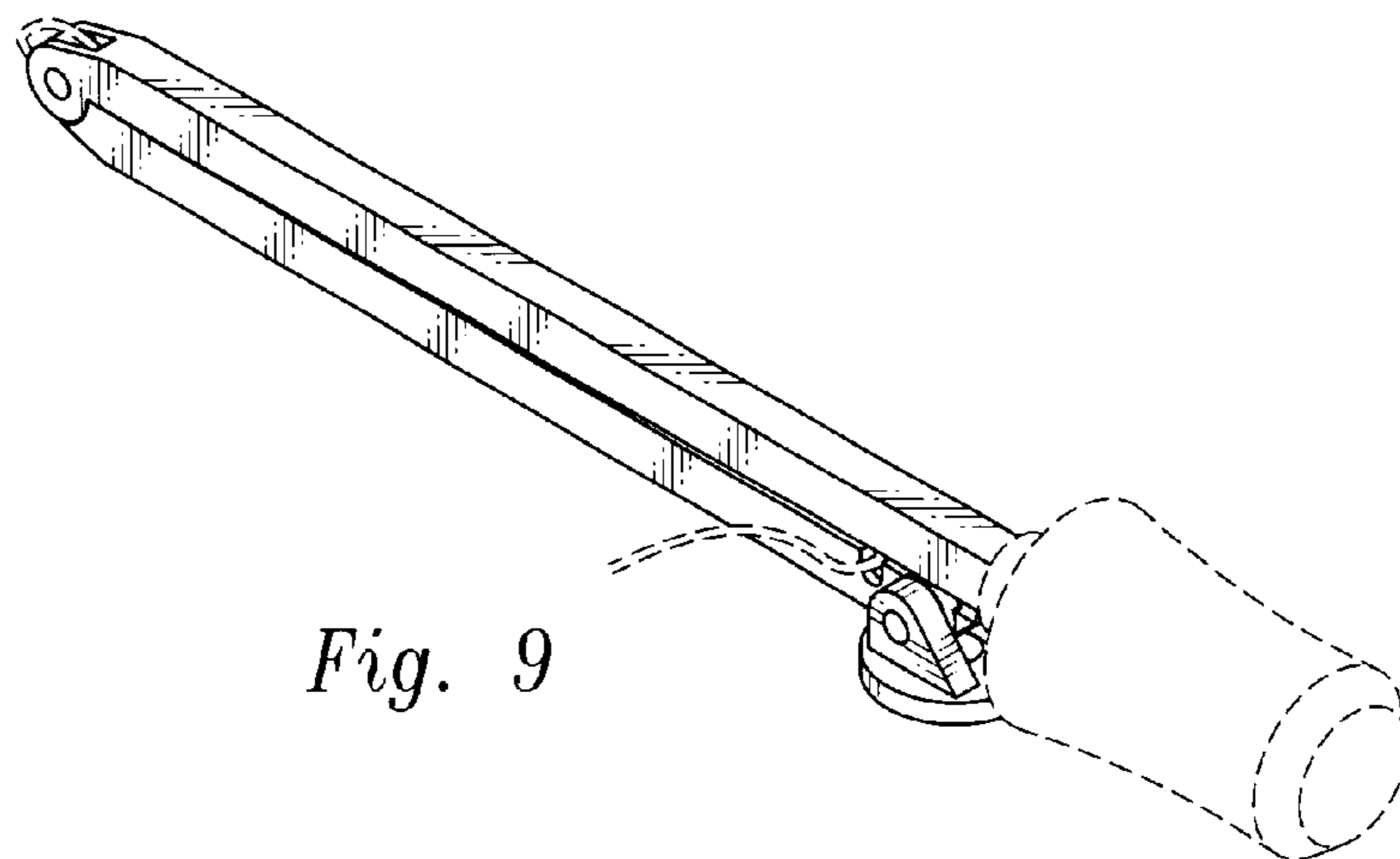


Fig. 9