



US00D519988S

(12) **United States Design Patent**  
**Tanaka**

(10) **Patent No.:** **US D519,988 S**

(45) **Date of Patent:** **\*\* May 2, 2006**

(54) **REMOTE CONTROLLER**

(75) Inventor: **Soichi Tanaka**, Tokyo (JP)

(73) Assignee: **Sony Corporation**, Tokyo (JP)

(\*\*) Term: **14 Years**

(21) Appl. No.: **29/192,603**

(22) Filed: **Oct. 28, 2003**

(51) **LOC (8) Cl.** ..... **14-03**

(52) **U.S. Cl.** ..... **D14/218**; D13/168

(58) **Field of Classification Search** ..... D14/217,  
D14/218, 124, 174, 299; D13/168; D21/566;  
455/352, 128, 347, 90.3; D10/104-106  
See application file for complete search history.

(56) **References Cited**

**U.S. PATENT DOCUMENTS**

D263,299 S	*	3/1982	Jacobs	.....	D13/168
D304,191 S	*	10/1989	Sekine	.....	D14/192
D334,043 S	*	3/1993	Taniguchi et al.	.....	D14/218
D344,523 S	*	2/1994	Kanno	.....	D14/218
D411,998 S	*	7/1999	Hakoda et al.	.....	D14/218
D450,682 S		11/2001	Takagi		

**OTHER PUBLICATIONS**

Web page "MZ-G755(JE)" 1 sheet, Yodobashi Camera (Sep. 2003 at the latest).

Web page "iMP-550" 1 sheet, Yodobashi Camera (Sep. 2003 at the latest).

Web page "AD-CL10" 1 sheet, Yodobashi Camera (Sep. 2003 at the latest).

Web page "DC-X337-L" 1 sheet, Yodobashi Camera (Sep. 2003 at the latest).

\* cited by examiner

*Primary Examiner*—Louis S. Zarfes

*Assistant Examiner*—John Windmuller

(74) *Attorney, Agent, or Firm*—Rader, Fishman & Grauer PLLC

(57) **CLAIM**

The ornamental design for a remote controller, as shown.

**DESCRIPTION**

FIG. 1 is a perspective view of remote controller showing my new design;

FIG. 2 is a front elevational view thereof;

FIG. 3 is a rear elevational view thereof;

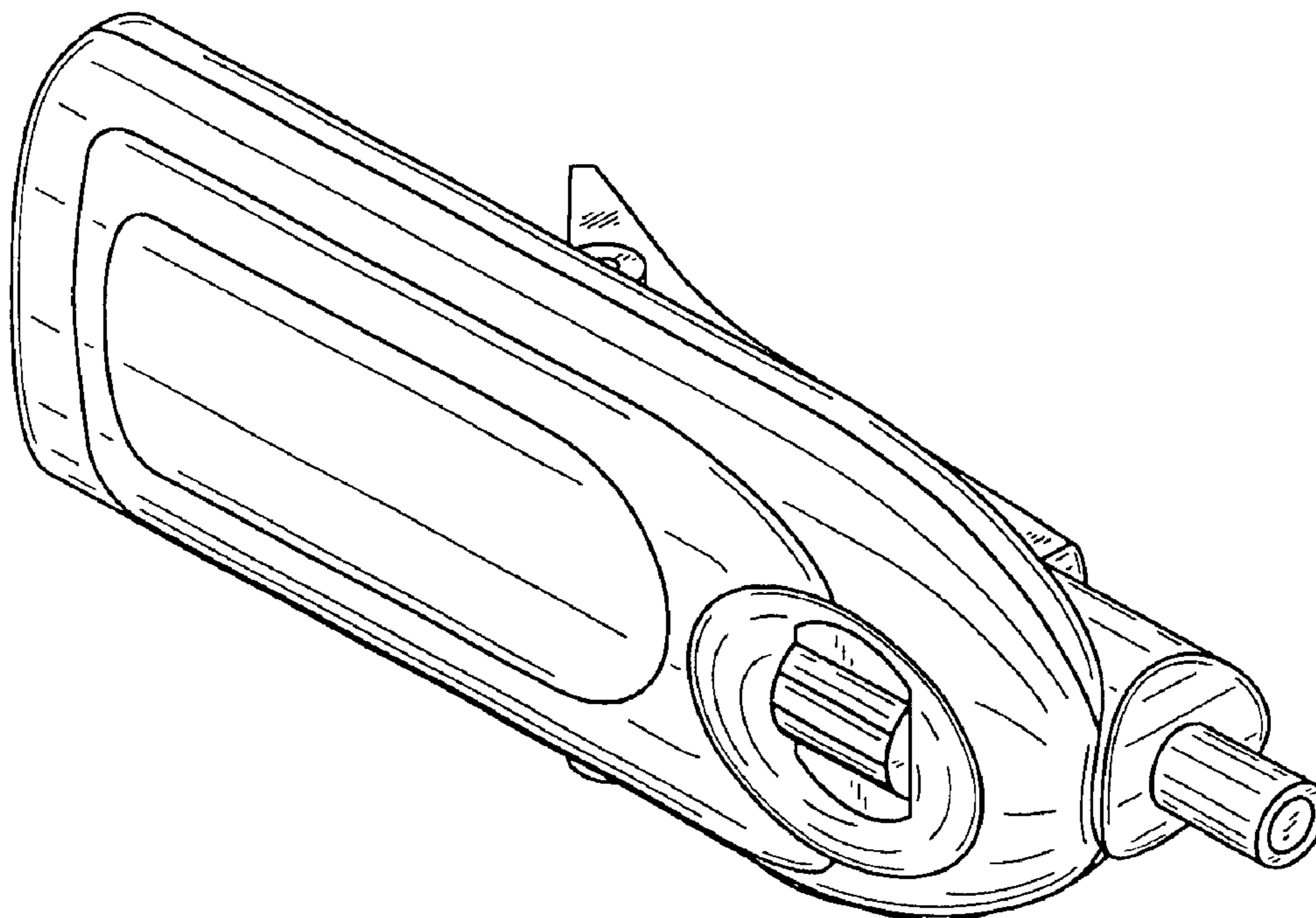
FIG. 4 is a left side elevational view thereof;

FIG. 5 is a right side elevational view thereof;

FIG. 6 is a top plan view thereof; and,

FIG. 7 is a bottom plan view thereof.

**1 Claim, 4 Drawing Sheets**



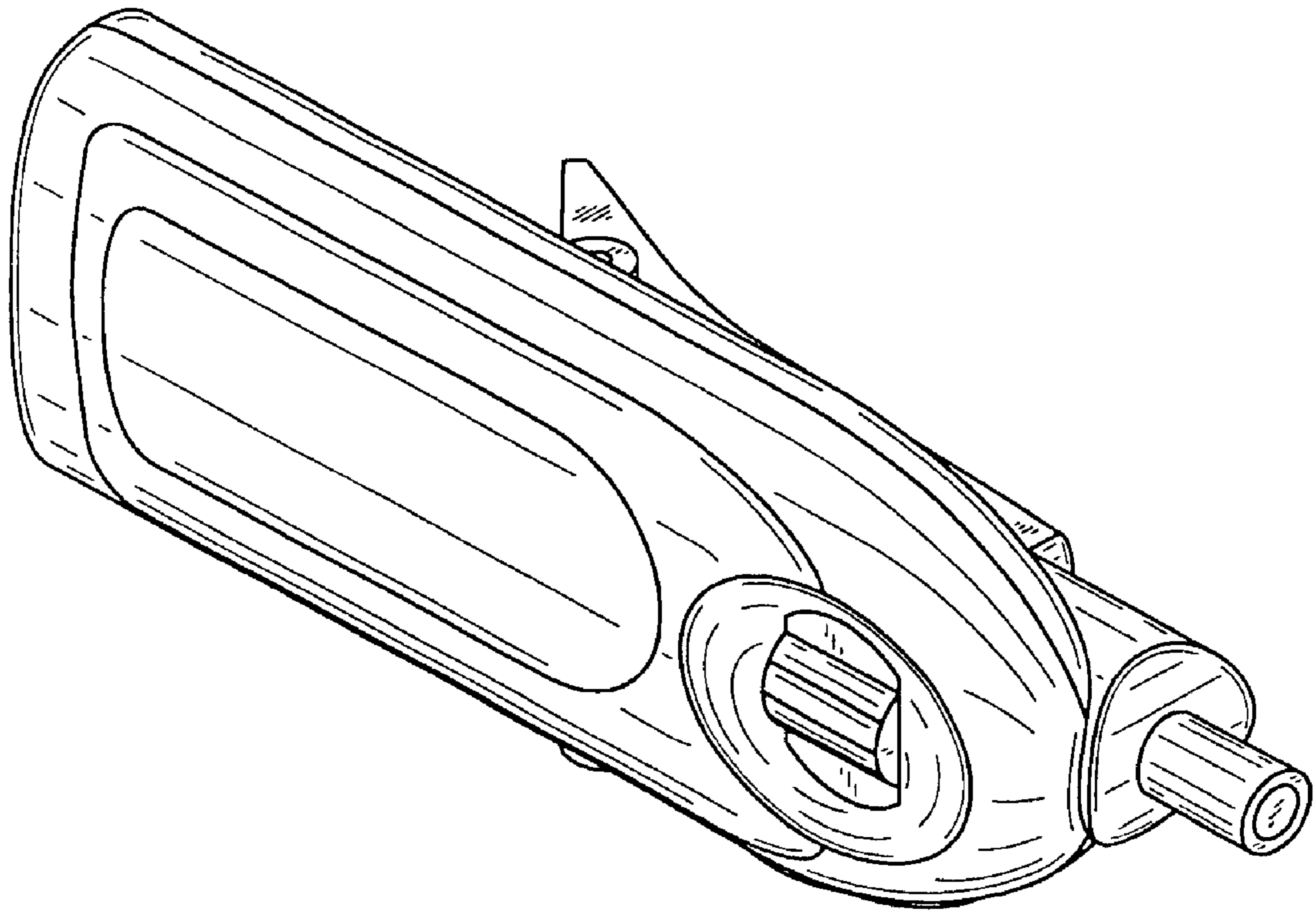


FIG. 1

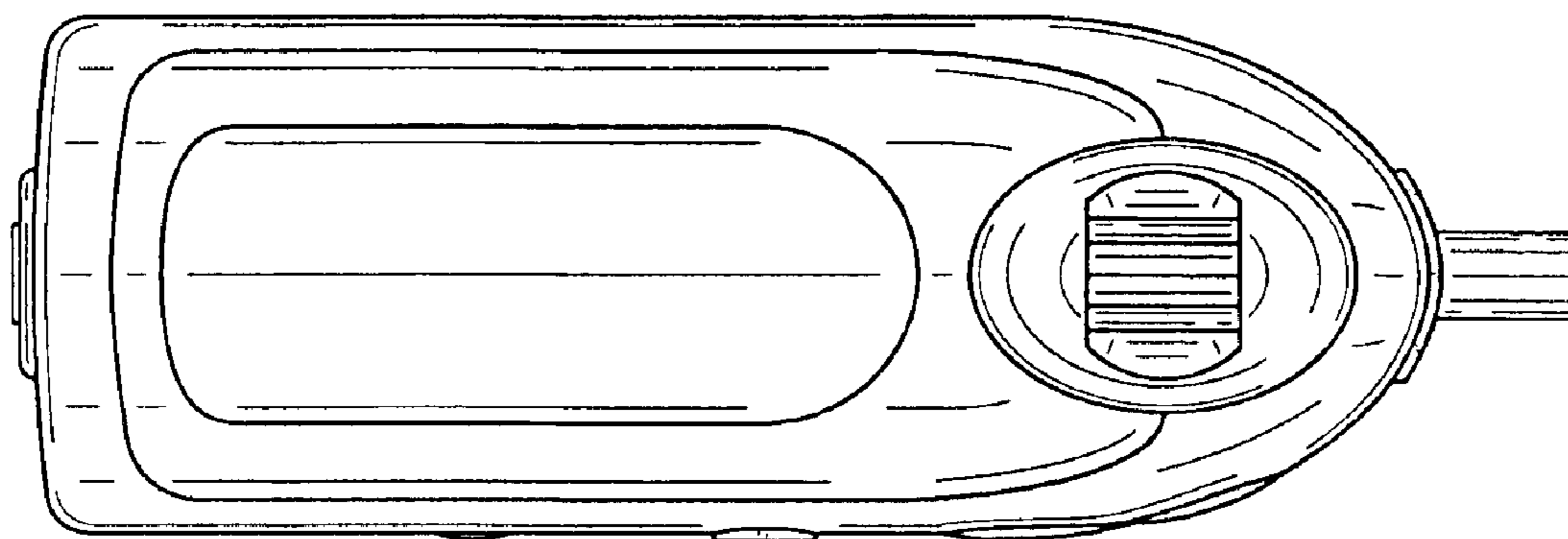


FIG. 2

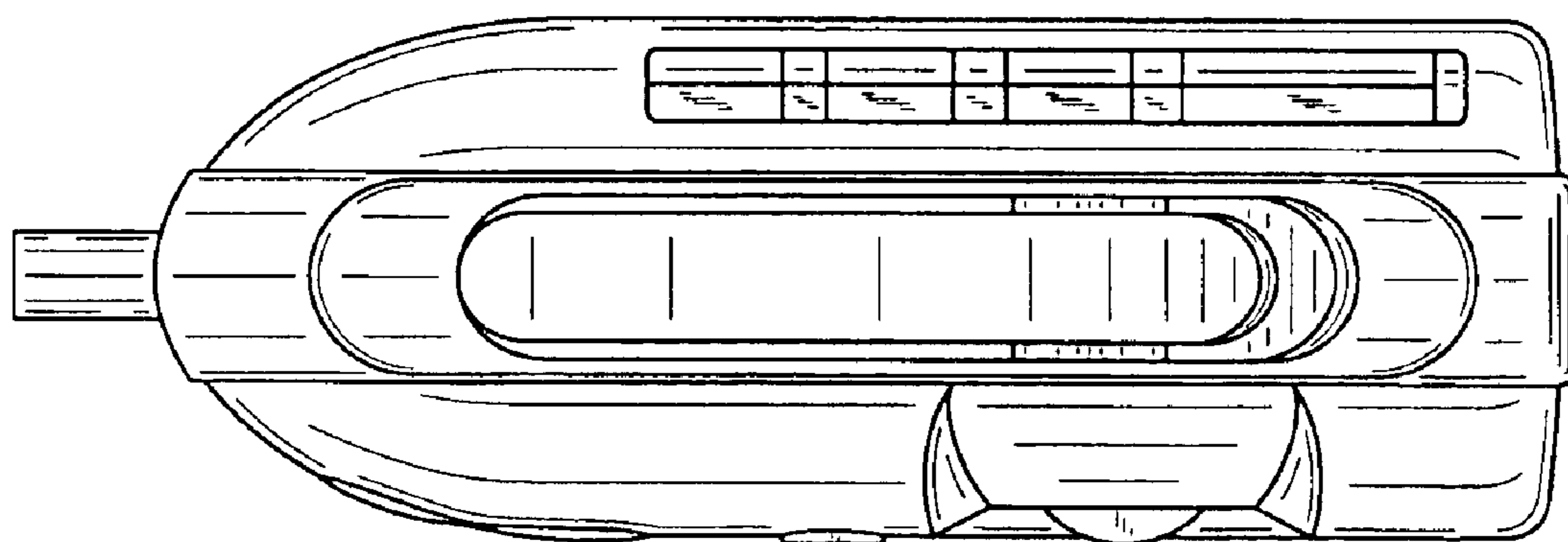


FIG. 3

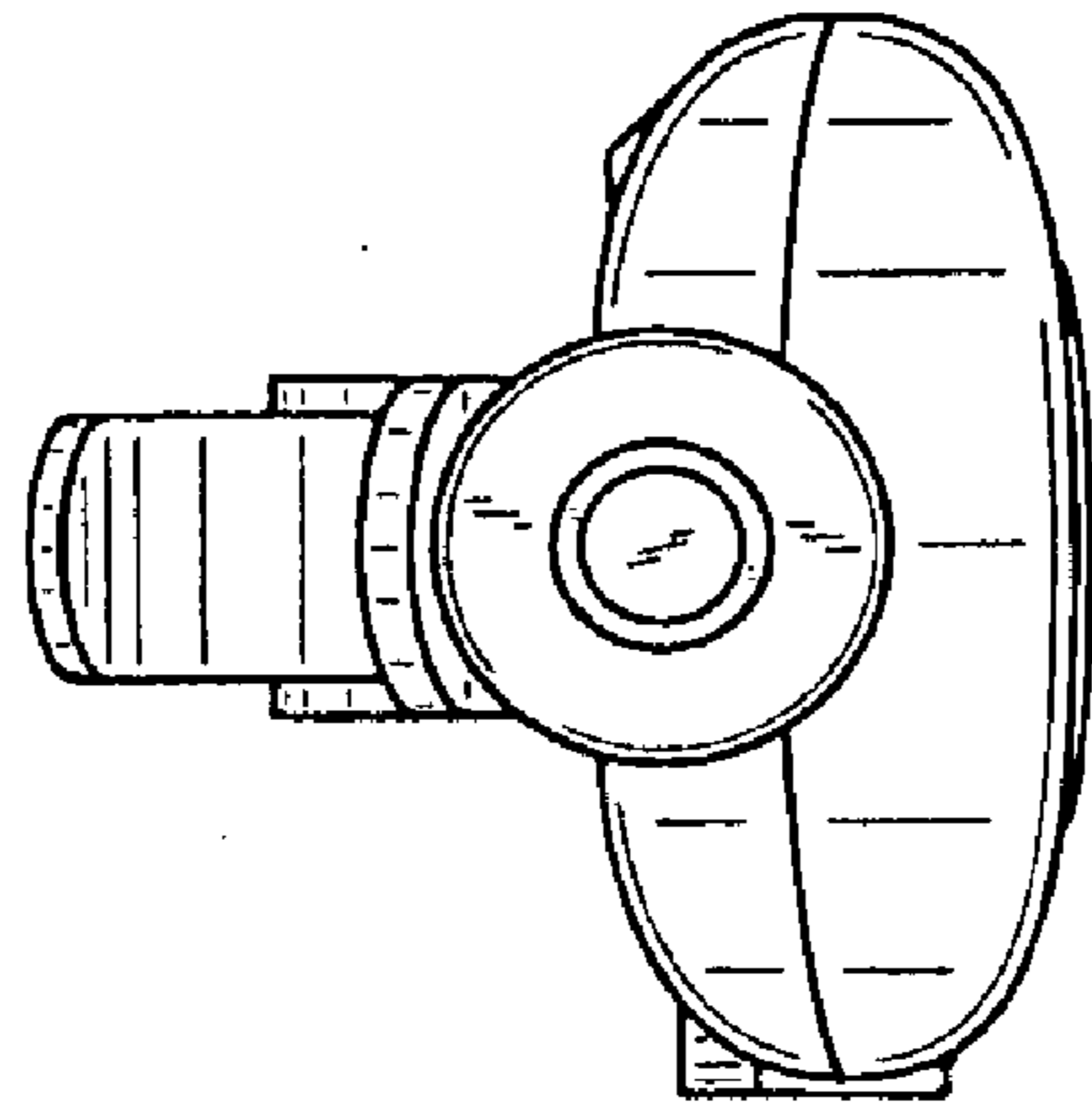


FIG. 4

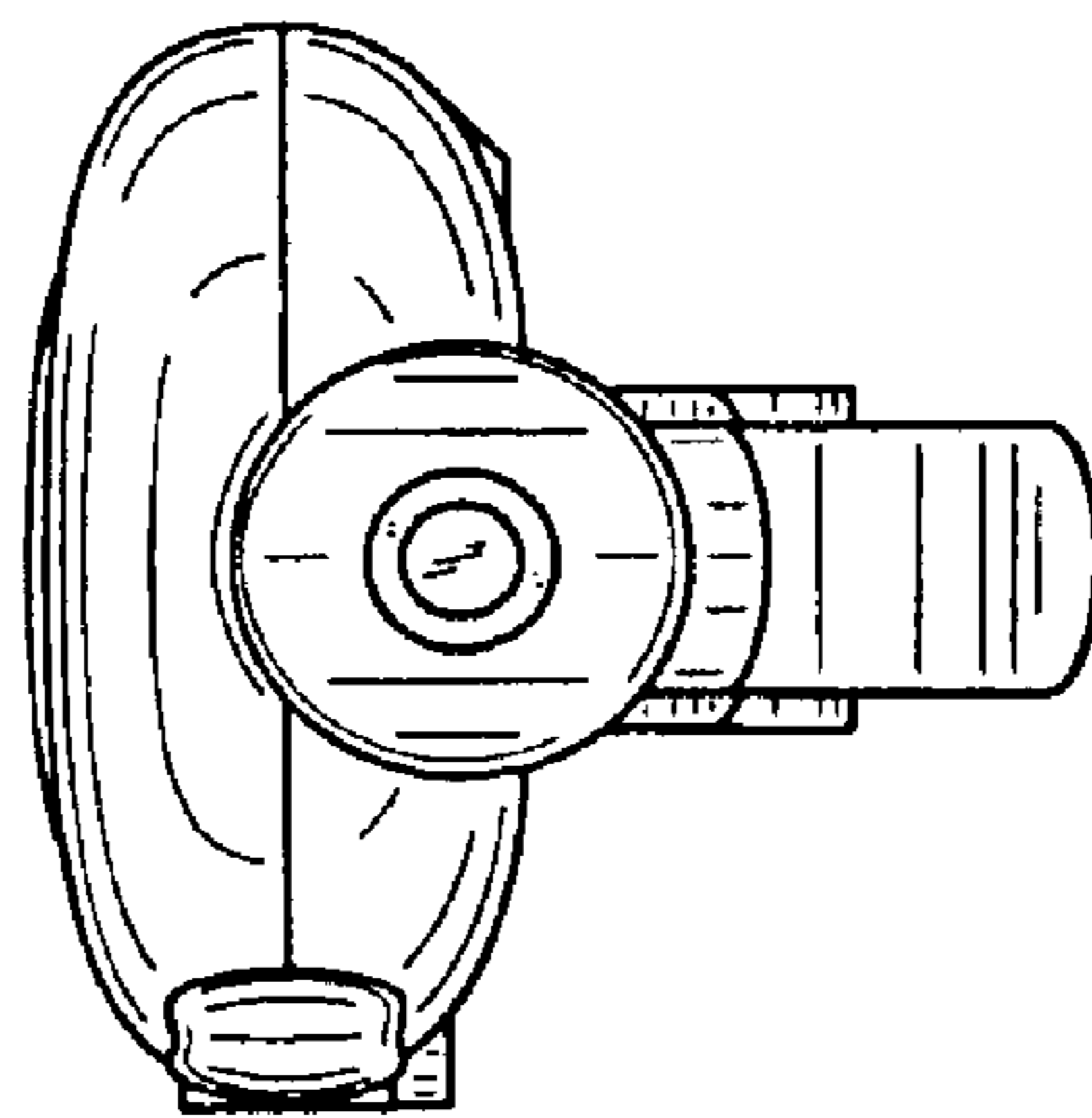


FIG. 5

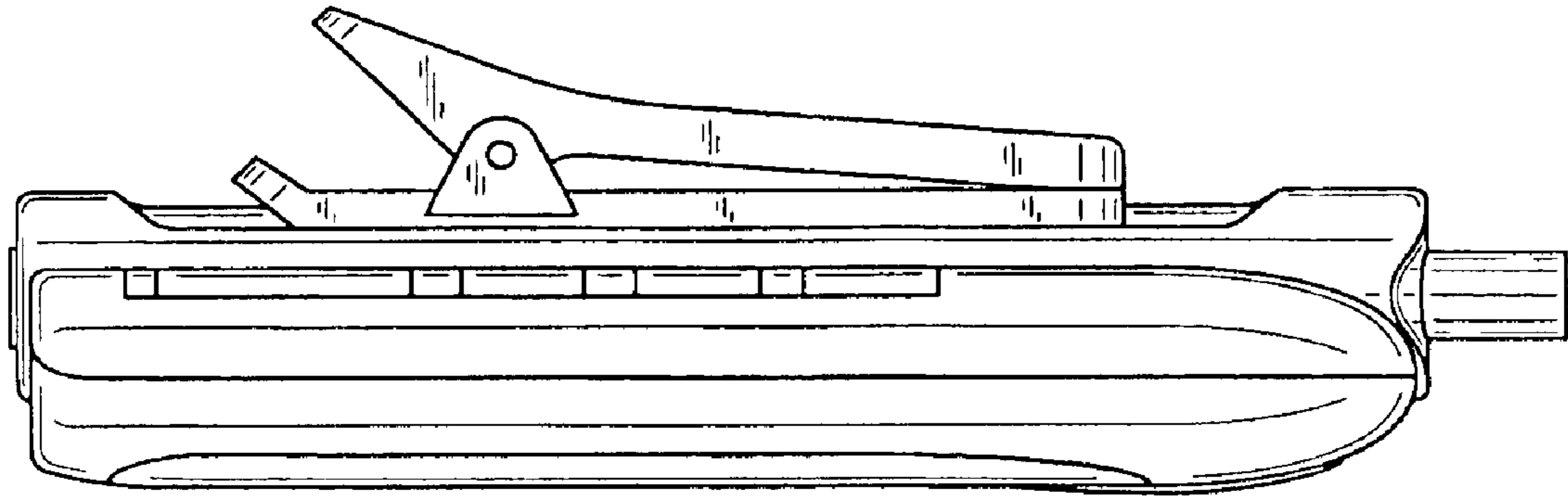


FIG. 6

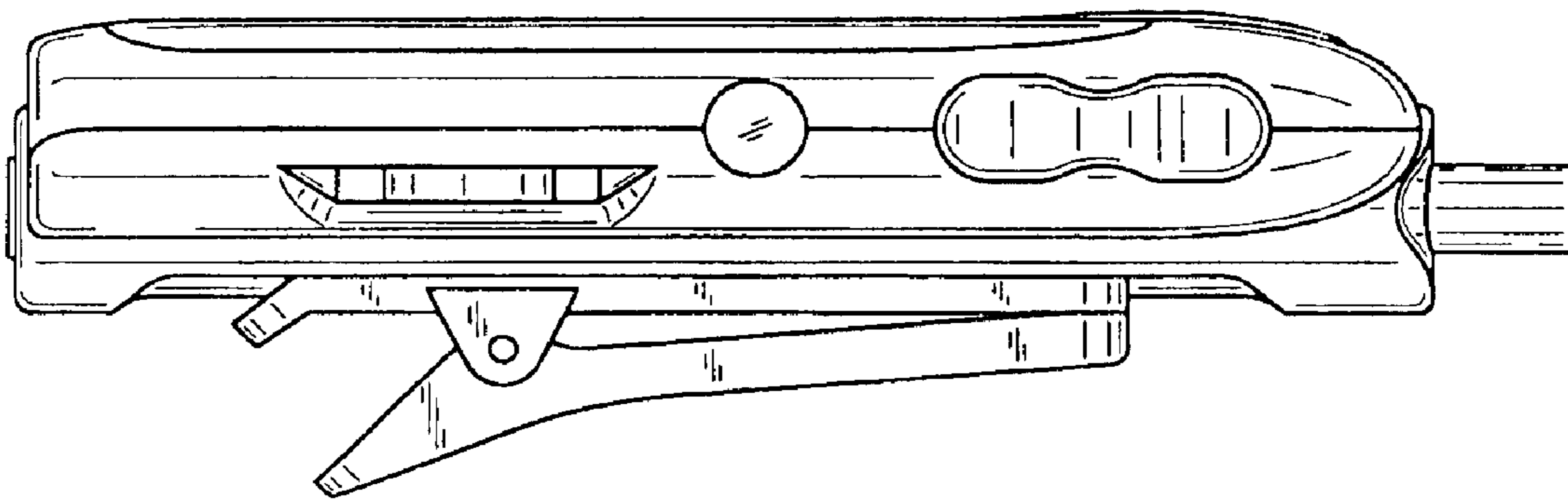


FIG. 7