

US00D519987S

(12) **United States Design Patent**  
**Kubota**

(10) **Patent No.:** **US D519,987 S**

(45) **Date of Patent:** **\*\* May 2, 2006**

(54) **SPEAKER BOX**

- (75) Inventor: **Yuuki Kubota**, Tokyo (JP)
- (73) Assignee: **Sony Corporation**, Tokyo (JP)
- (\*\*) Term: **14 Years**

(21) Appl. No.: **29/220,395**

(22) Filed: **Jan. 3, 2005**

- (51) **LOC (8) Cl.** ..... **14-01**
- (52) **U.S. Cl.** ..... **D14/214**
- (58) **Field of Classification Search** ..... D14/204,  
D14/207, 209–216, 356; 181/143–144, 147–148,  
181/150, 157, 198–199, 151, 153; 381/300–302,  
381/306, 333, 345, 361–364, 386–388, 332,  
381/336

See application file for complete search history.

(56) **References Cited**

**U.S. PATENT DOCUMENTS**

D379,183 S	*	5/1997	Lin	.....	D14/214
D382,877 S	*	8/1997	Cheng	.....	D14/214
D390,565 S	*	2/1998	Cheng	.....	D14/214
D432,117 S	*	10/2000	Miyazaki	.....	D14/214
D449,291 S	*	10/2001	Oikawa	.....	D14/214
D460,750 S		7/2002	Matsuoka		
D467,898 S		12/2002	Matsuoka		

**OTHER PUBLICATIONS**

Web page “VAIO J, PCV–J206V7B–J20V7BP J20AL5 J20V5” <http://www.sony.jp/ProductsPark/Consumer/PCOM/PCM/PCV–J10GV7BP/feature.html>, 1 sheet, Sony (Dec. 2004).  
 Web page “PC Station PV7220C PV7280CB AR” <http://www.sotec.co.jp/direct/pv7280ar/indec.html>, 1 sheet, Sotec (Dec. 2004).

\* cited by examiner

*Primary Examiner*—Nanda Bondade

(74) *Attorney, Agent, or Firm*—Rader, Fishman & Grauer PLLC

(57) **CLAIM**

The ornamental design for a speaker box, as shown.

**DESCRIPTION**

FIG. 1 is a perspective view of a speaker box showing my new design;  
 FIG. 2 is a front elevational view thereof;  
 FIG. 3 is a rear elevational view thereof;  
 FIG. 4 is a left side elevational view thereof;  
 FIG. 5 is a right side elevational view thereof;  
 FIG. 6 is a top plan view thereof;  
 FIG. 7 is a bottom plan view thereof; and  
 FIG. 8 is an enlarged right side elevational view thereof.

**1 Claim, 5 Drawing Sheets**

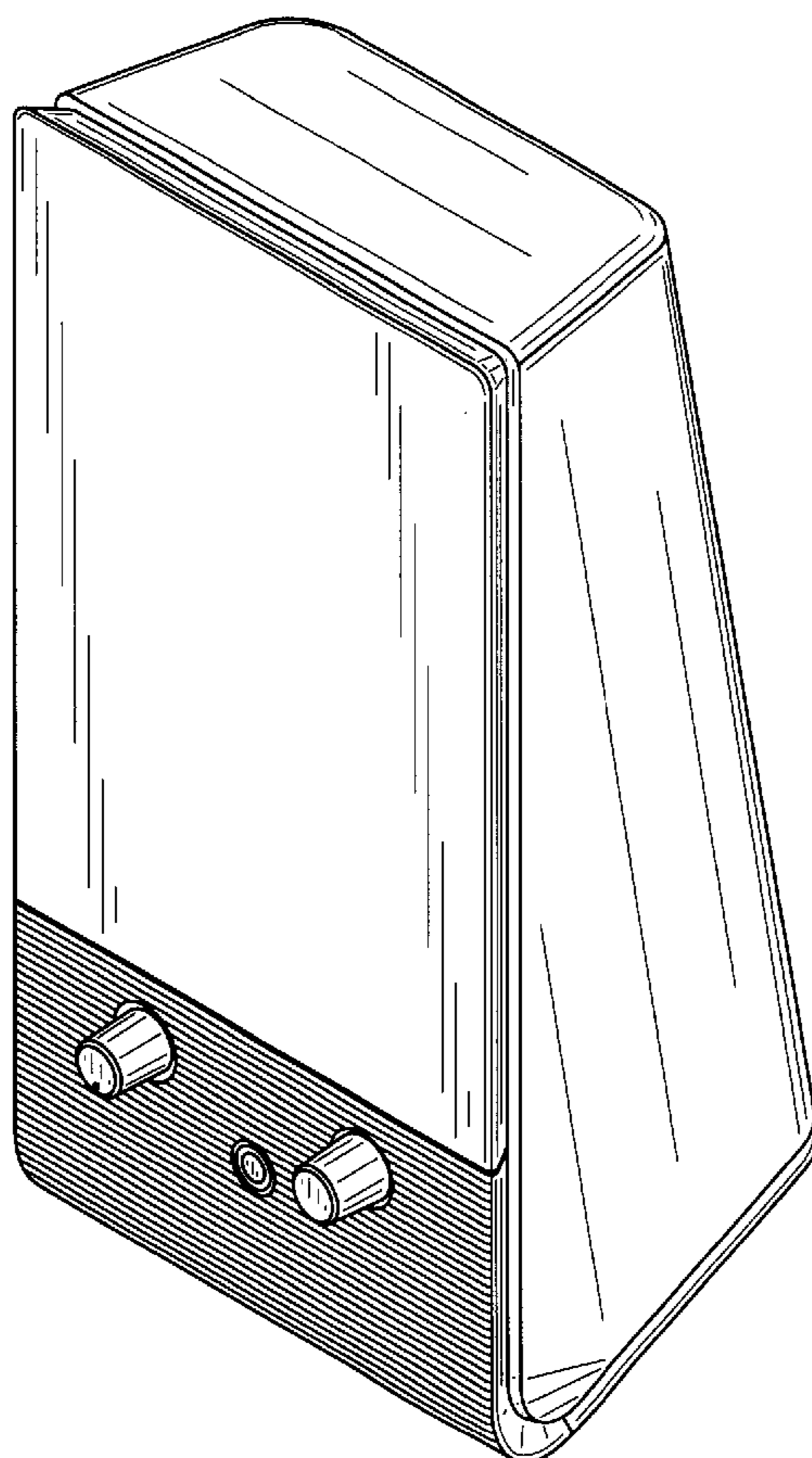


Fig. 1

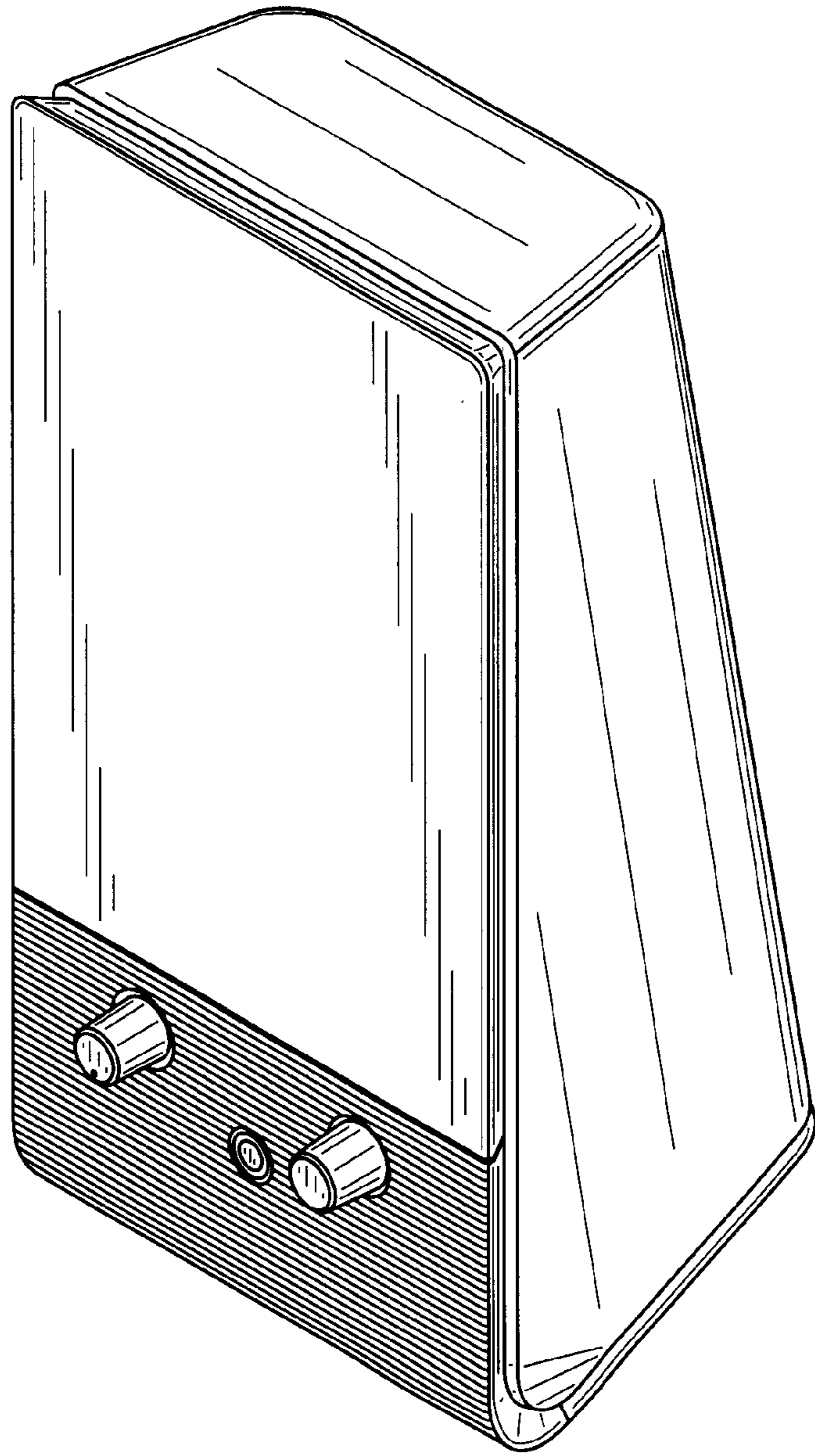


Fig.2

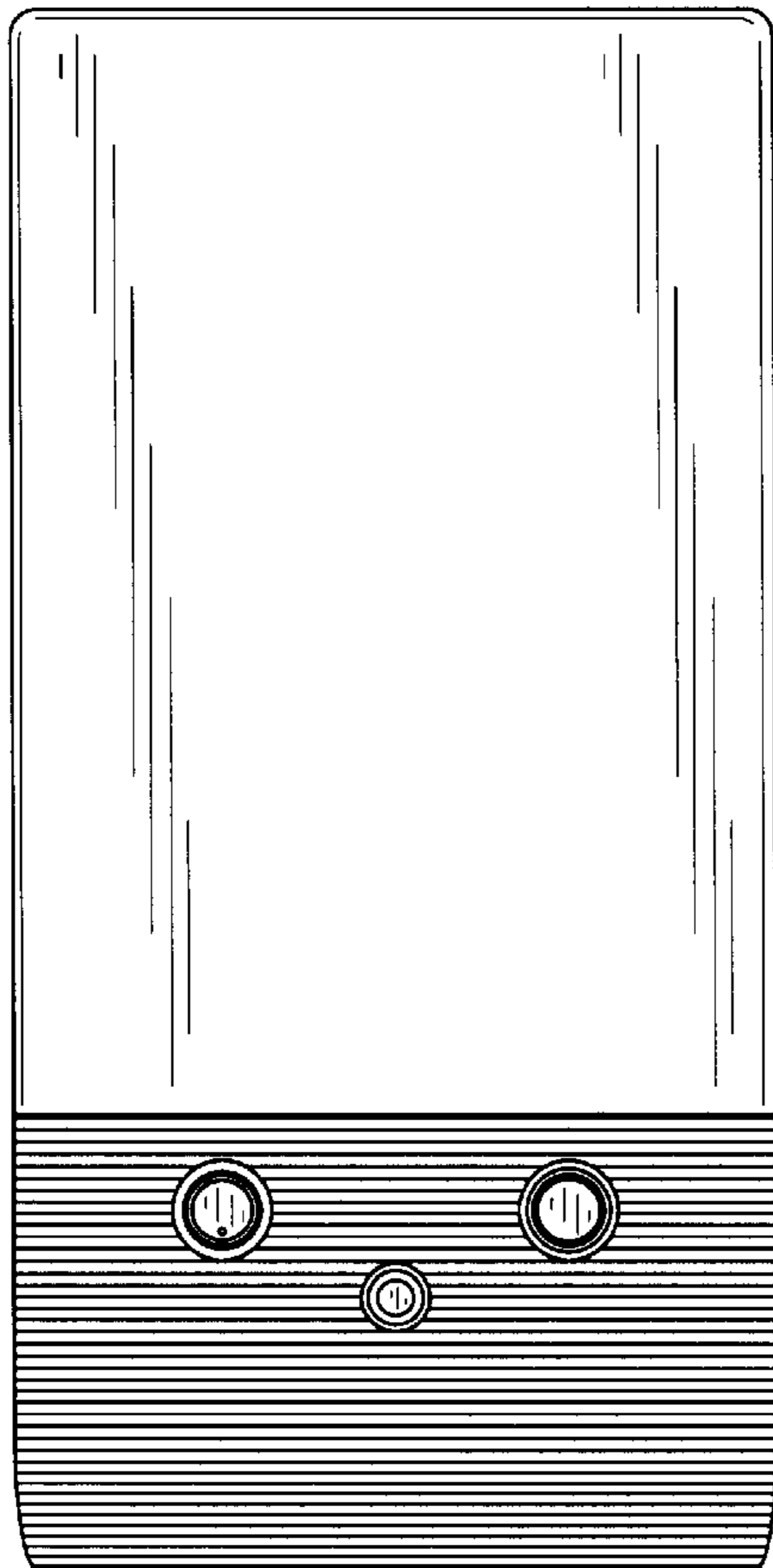


Fig.3

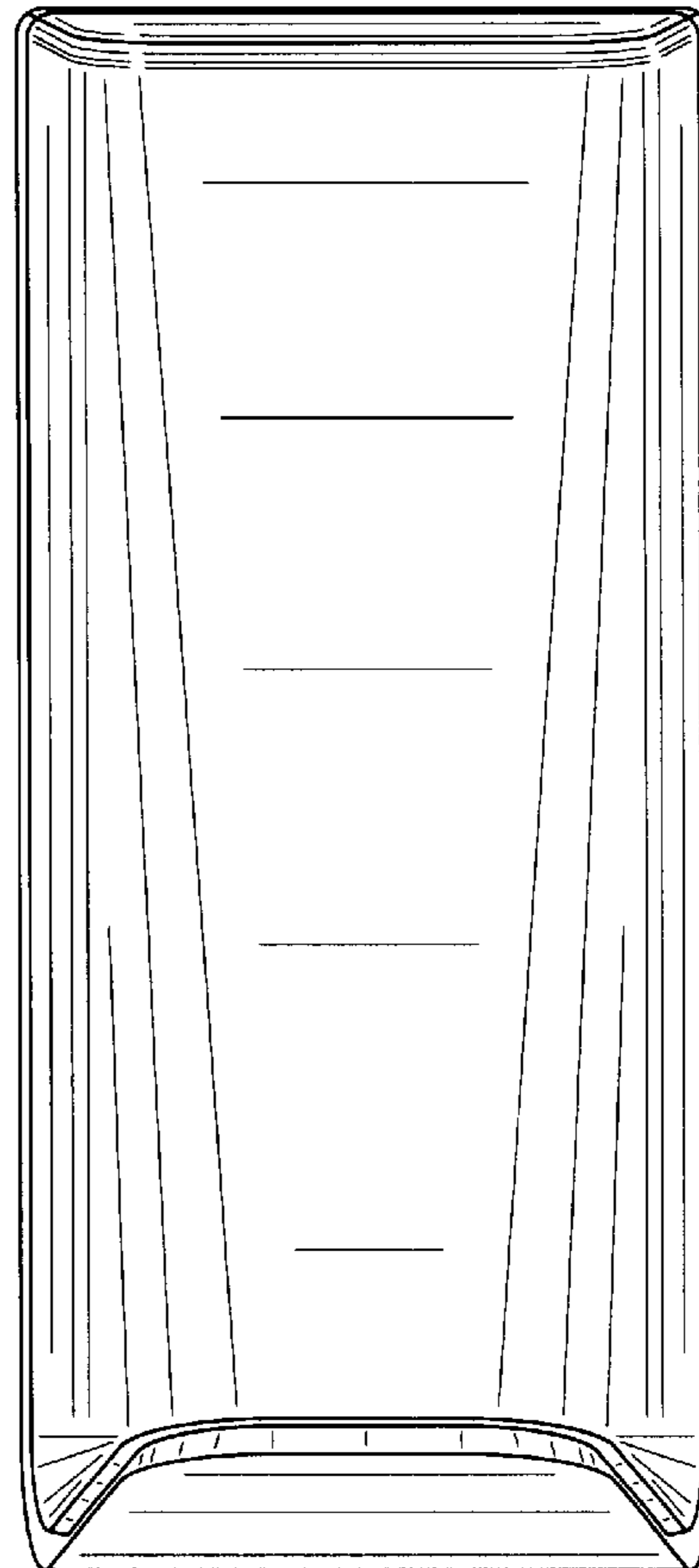


Fig.4

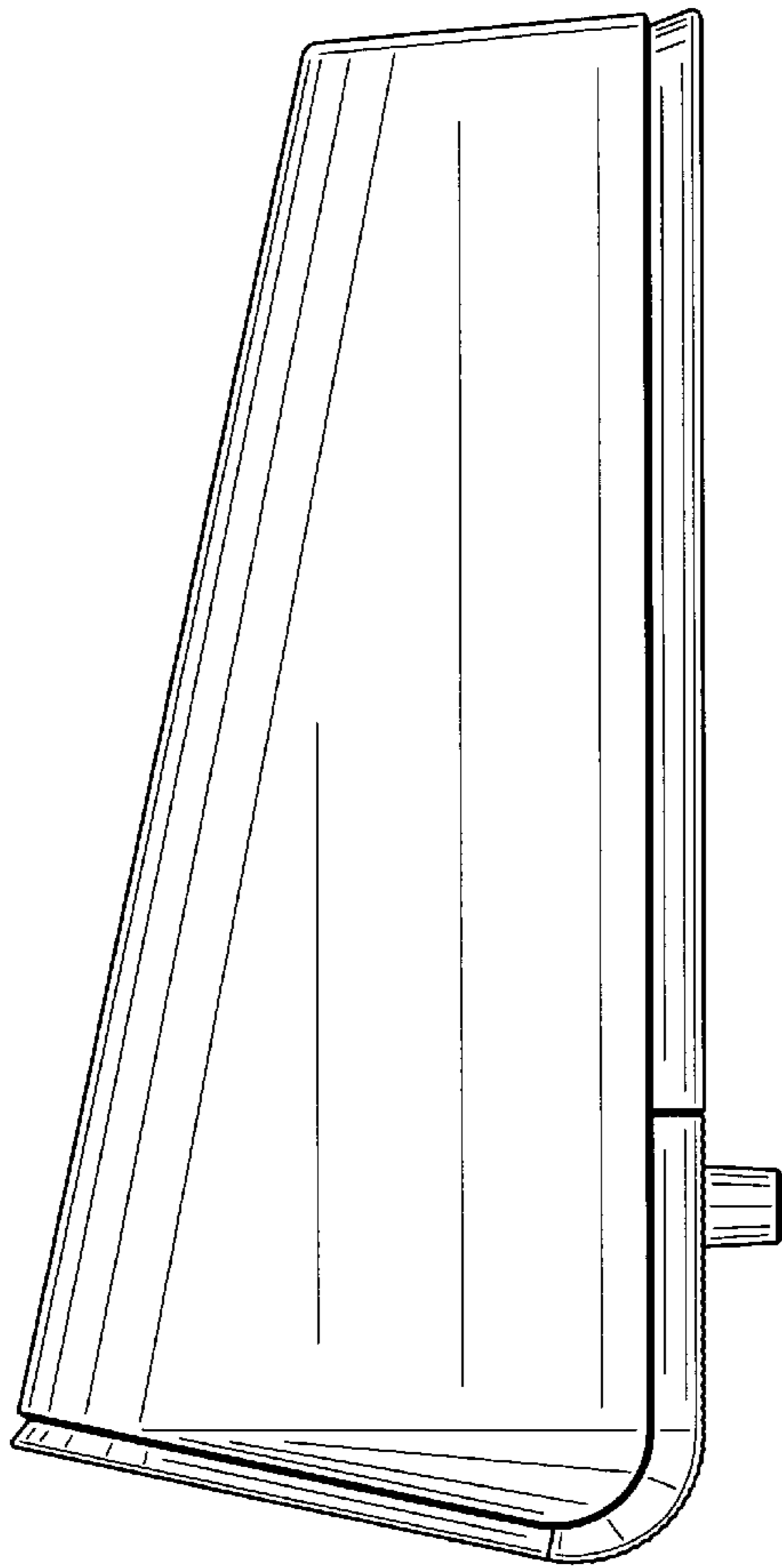


Fig.5

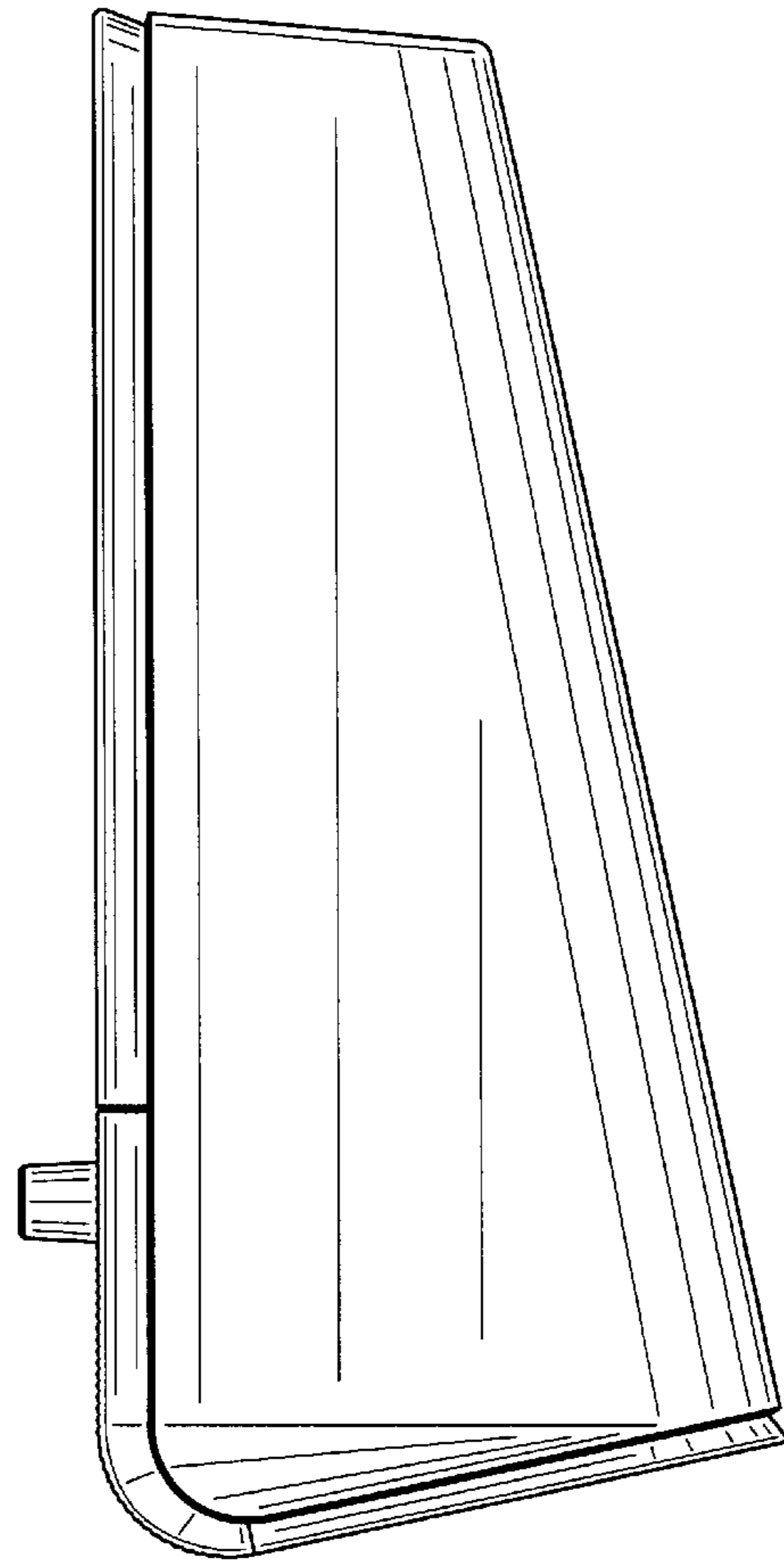


Fig.6

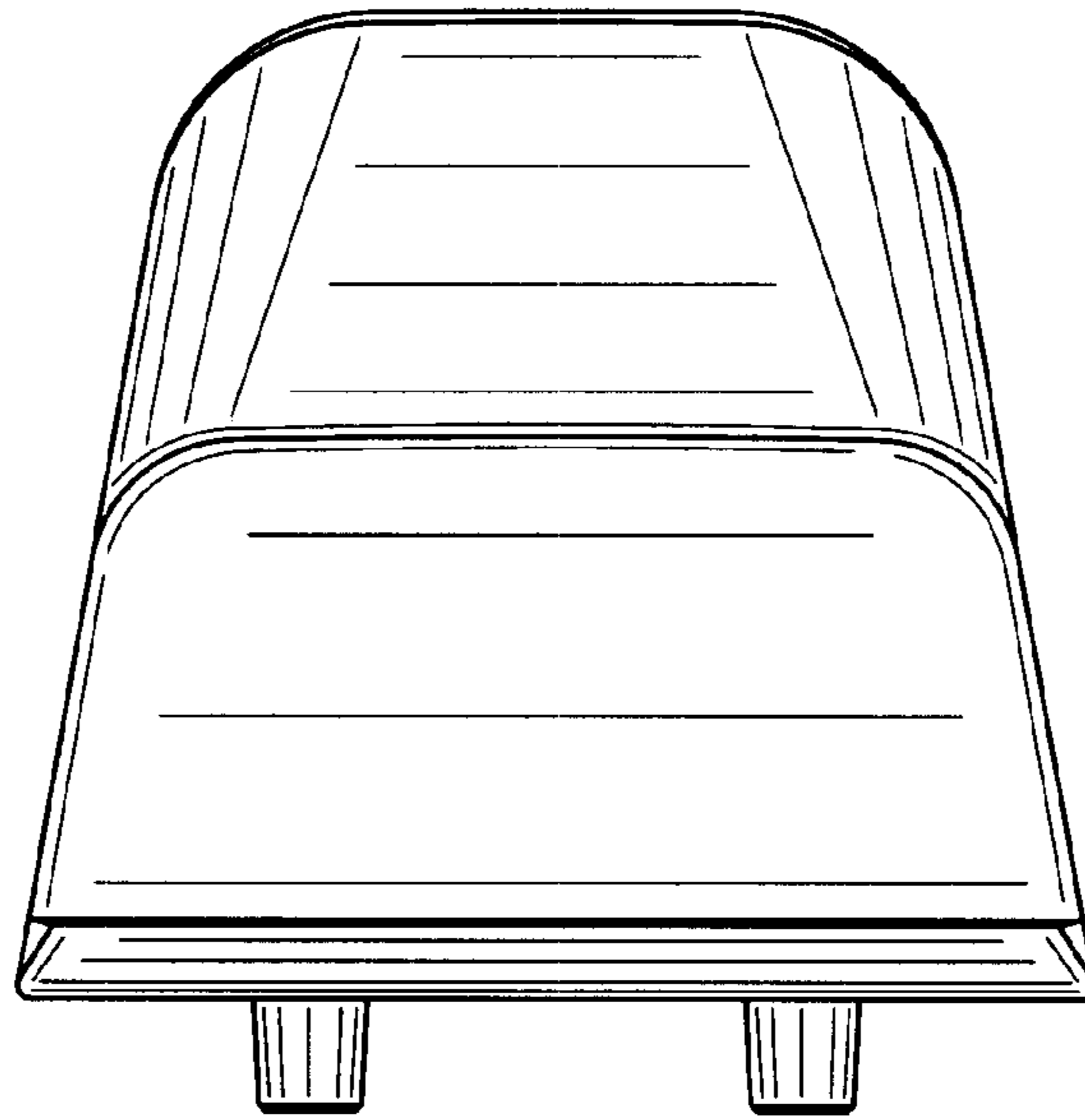


Fig.7

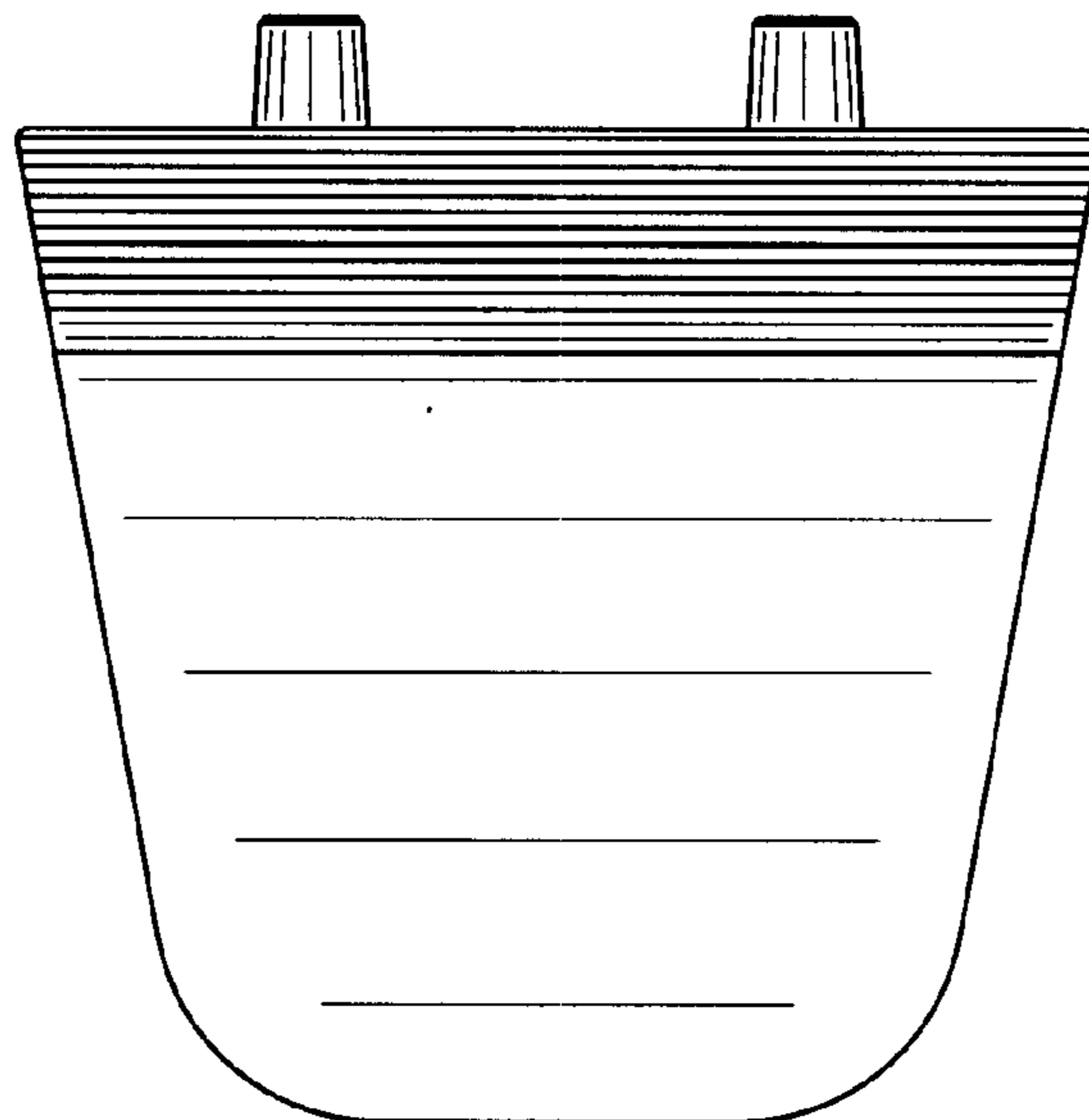


Fig.8

