



US00D519986S

(12) **United States Design Patent**
Kamimura et al.

(10) **Patent No.:** **US D519,986 S**

(45) **Date of Patent:** **** May 2, 2006**

(54) **SPEAKER**

D360,637 S * 7/1995 Arie D14/214
D466,105 S * 11/2002 Bothe D14/214

(75) Inventors: **Tomohiko Kamimura**, Habikino (JP);
Satoru Fujiwara, Izumi (JP);
Tomohiro Oda, Higashiosaka (JP)

* cited by examiner

(73) Assignee: **Hosiden Corporation**, Osaka (JP)

Primary Examiner—Nanda Bondade

(**) Term: **14 Years**

(74) *Attorney, Agent, or Firm*—Akin Gump Strauss Hauer & Feld, LLP

(21) Appl. No.: **29/219,067**

(57) **CLAIM**

(22) Filed: **Dec. 10, 2004**

The ornamental design for a speaker, as shown and described.

(30) **Foreign Application Priority Data**

DESCRIPTION

Jun. 11, 2004 (JP) 2004-017467
Jun. 11, 2004 (JP) 2004-017468

FIG. 1 is a front perspective view of a speaker in accordance with our design;

(51) **LOC (8) Cl.** **14-01**

FIG. 2 is rear perspective view thereof;

(52) **U.S. Cl.** **D14/214**

FIG. 3 is a front view thereof;

(58) **Field of Classification Search** D14/204,
D14/207, 209–216, 356, 496; 181/143–144,
181/147–148, 150, 157, 198–199, 151, 153;
381/300–302, 306, 333, 345, 361–364, 386–388,
381/332, 336

FIG. 4 is a rear view thereof;

FIG. 5 is a top plan view thereof;

See application file for complete search history.

FIG. 6 is a bottom plan view thereof; and,

FIG. 7 is a left side view thereof, the right side view being a mirror image.

A right side view appears symmetric with the left side view.

(56) **References Cited**

U.S. PATENT DOCUMENTS

D317,450 S * 6/1991 Crawford et al. D14/214

1 Claim, 3 Drawing Sheets

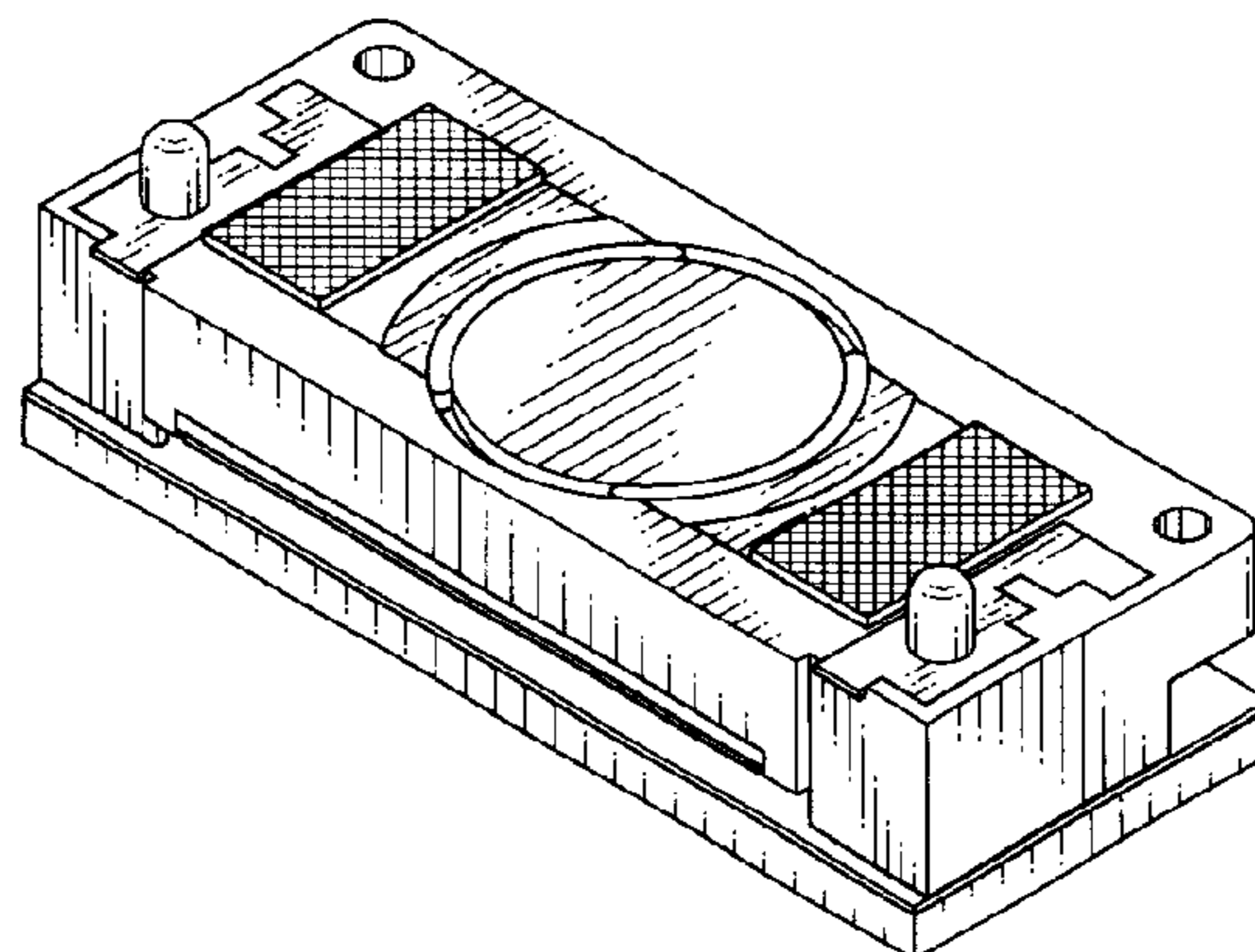
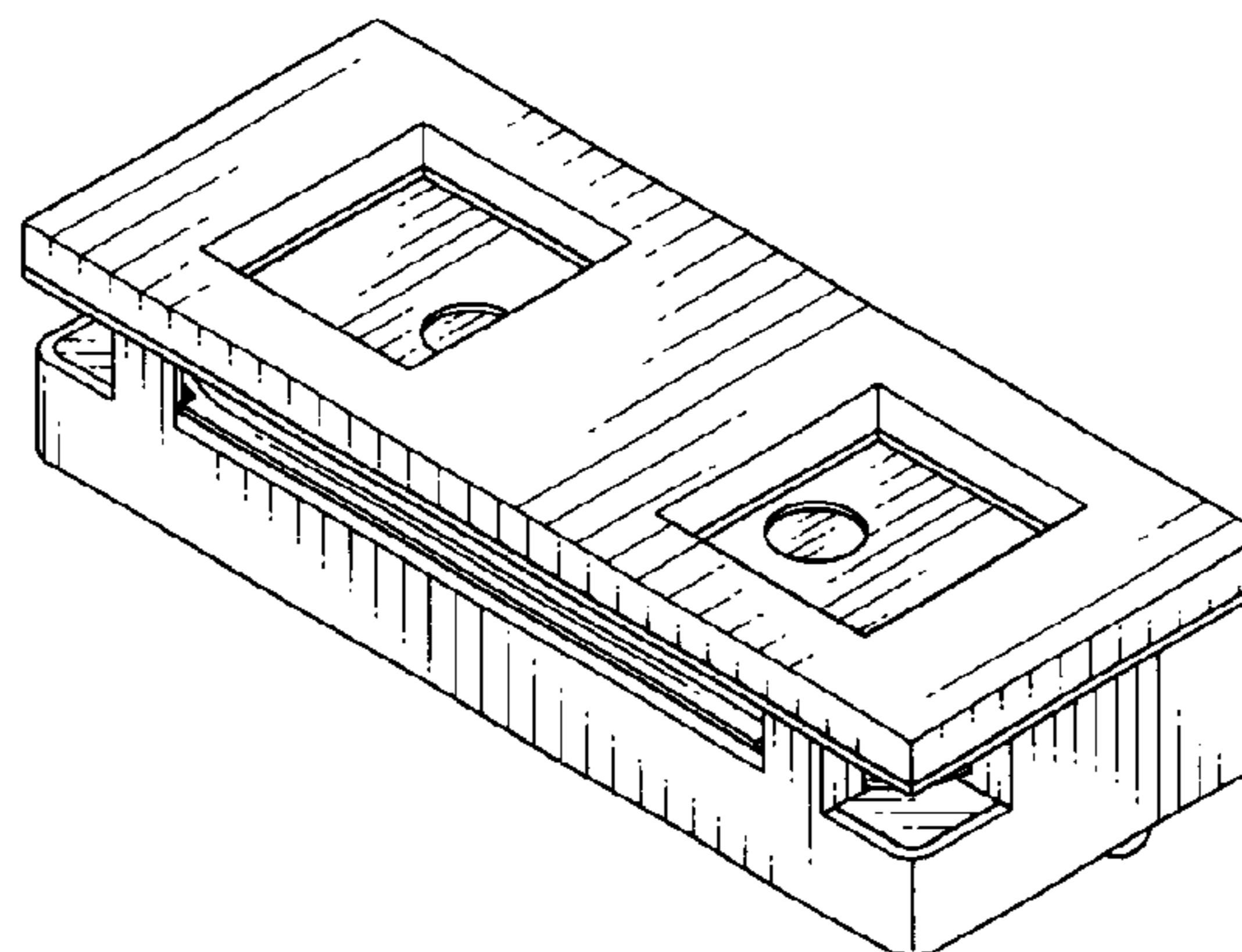


Fig. 1

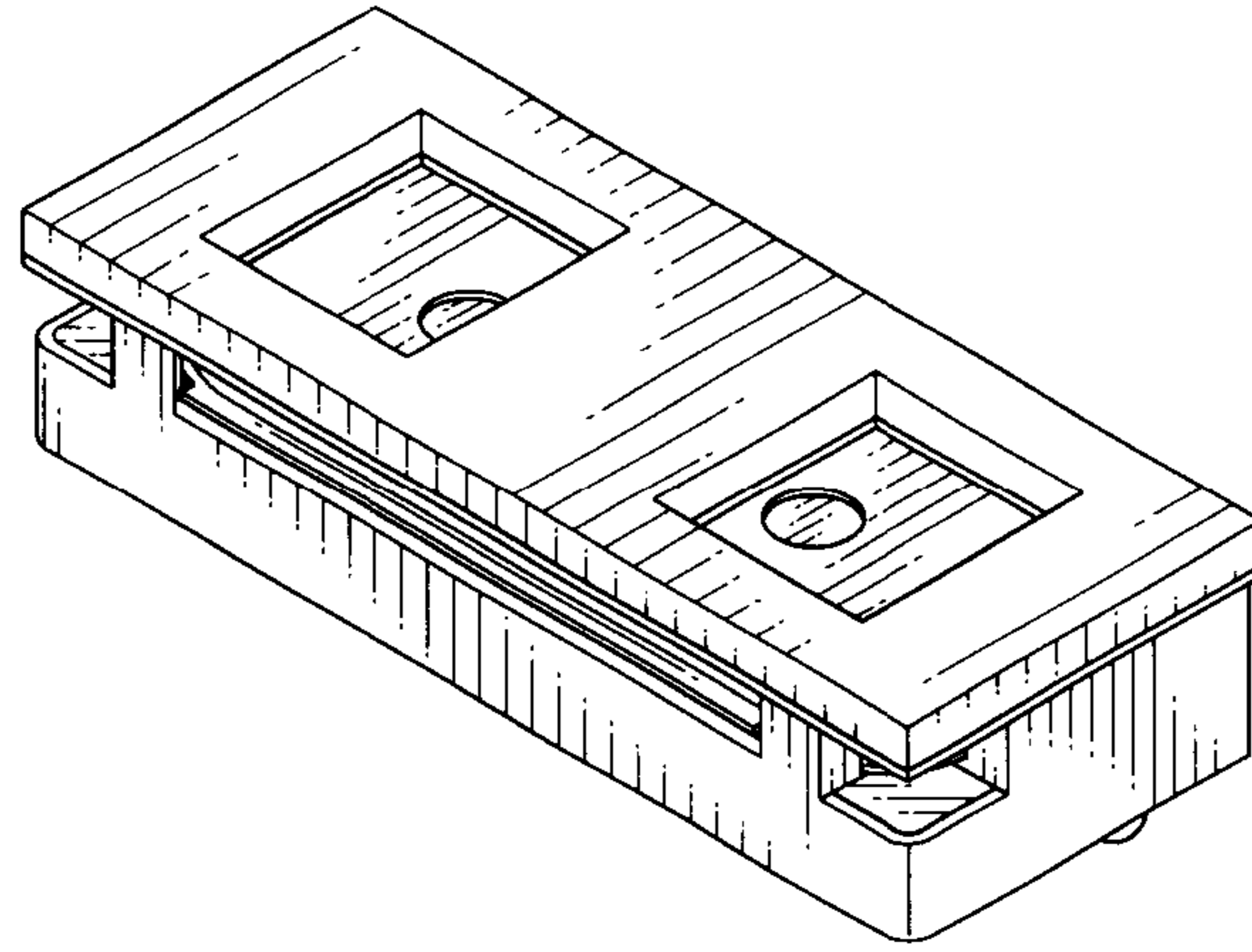


Fig. 2

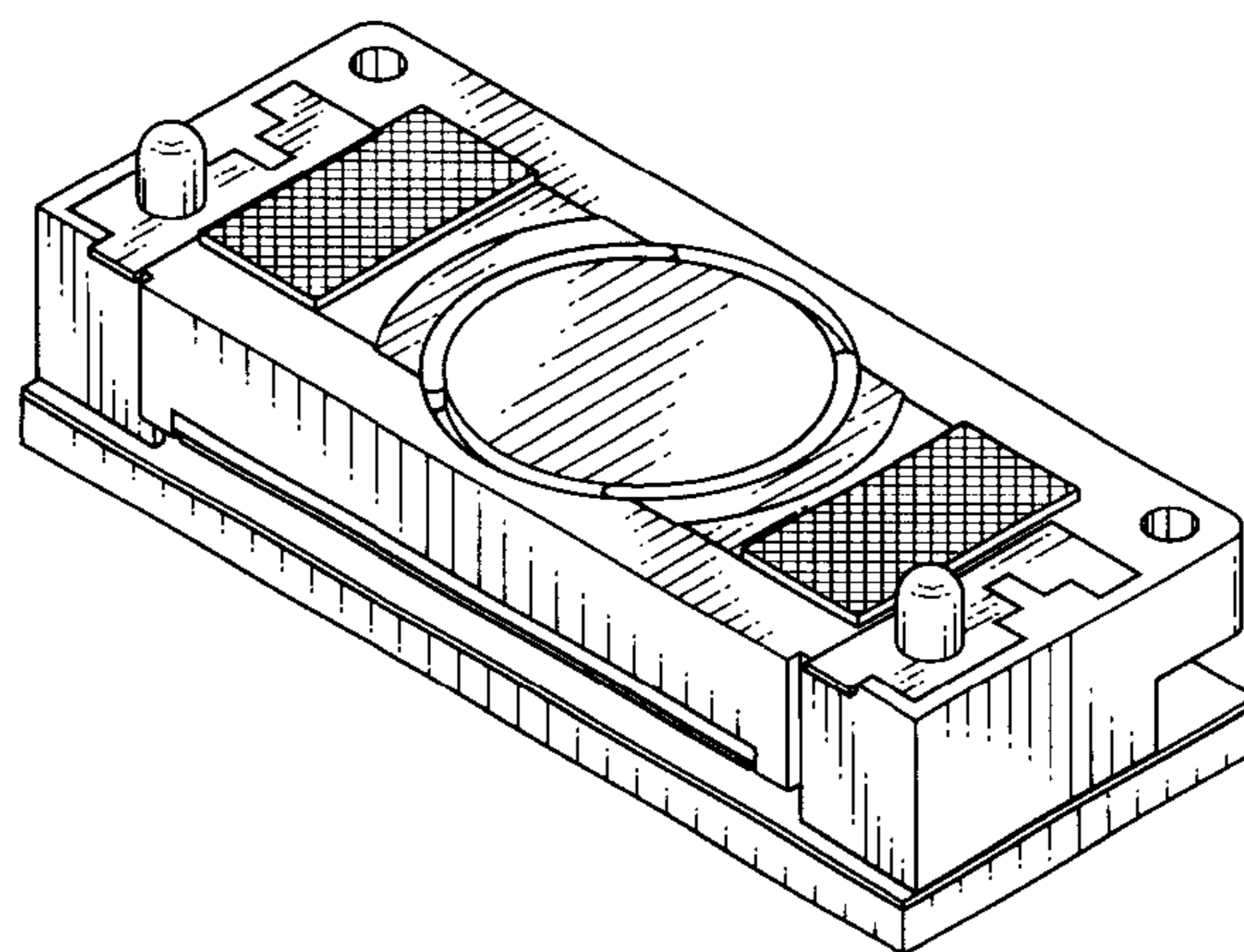


Fig. 3

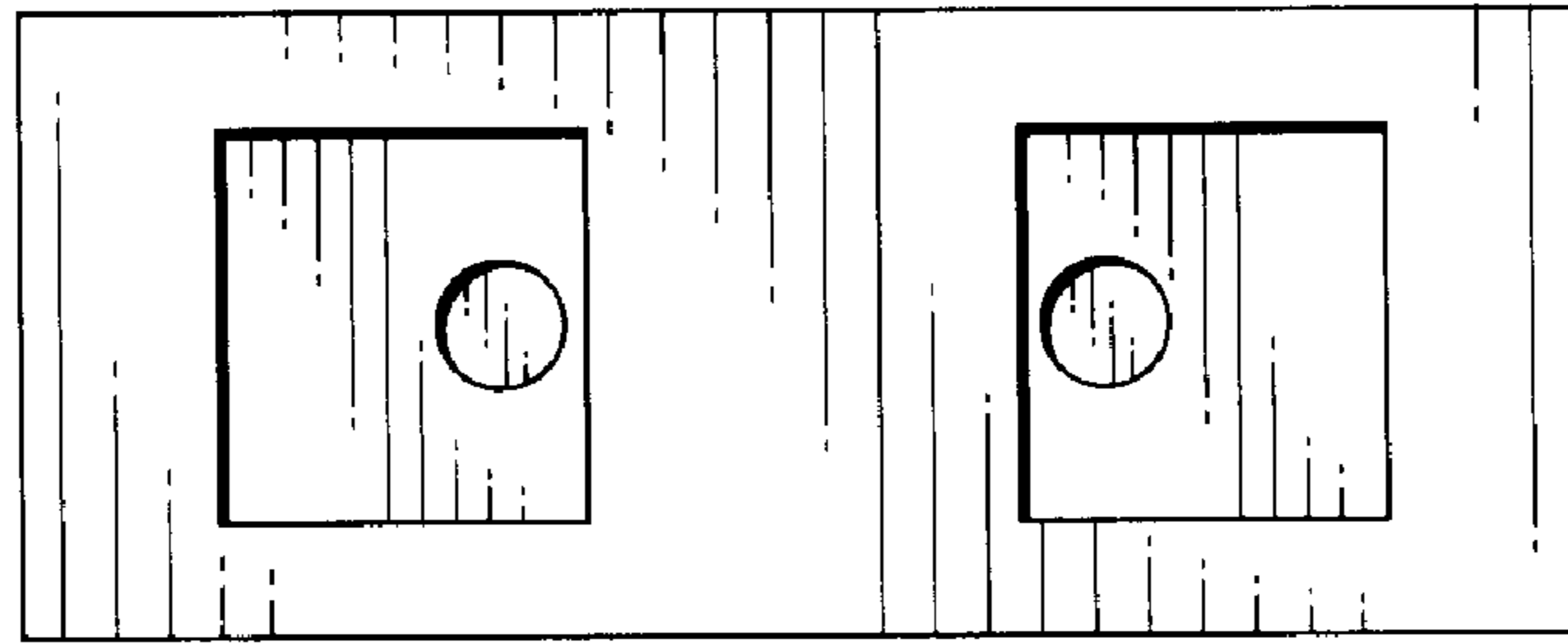


Fig. 4

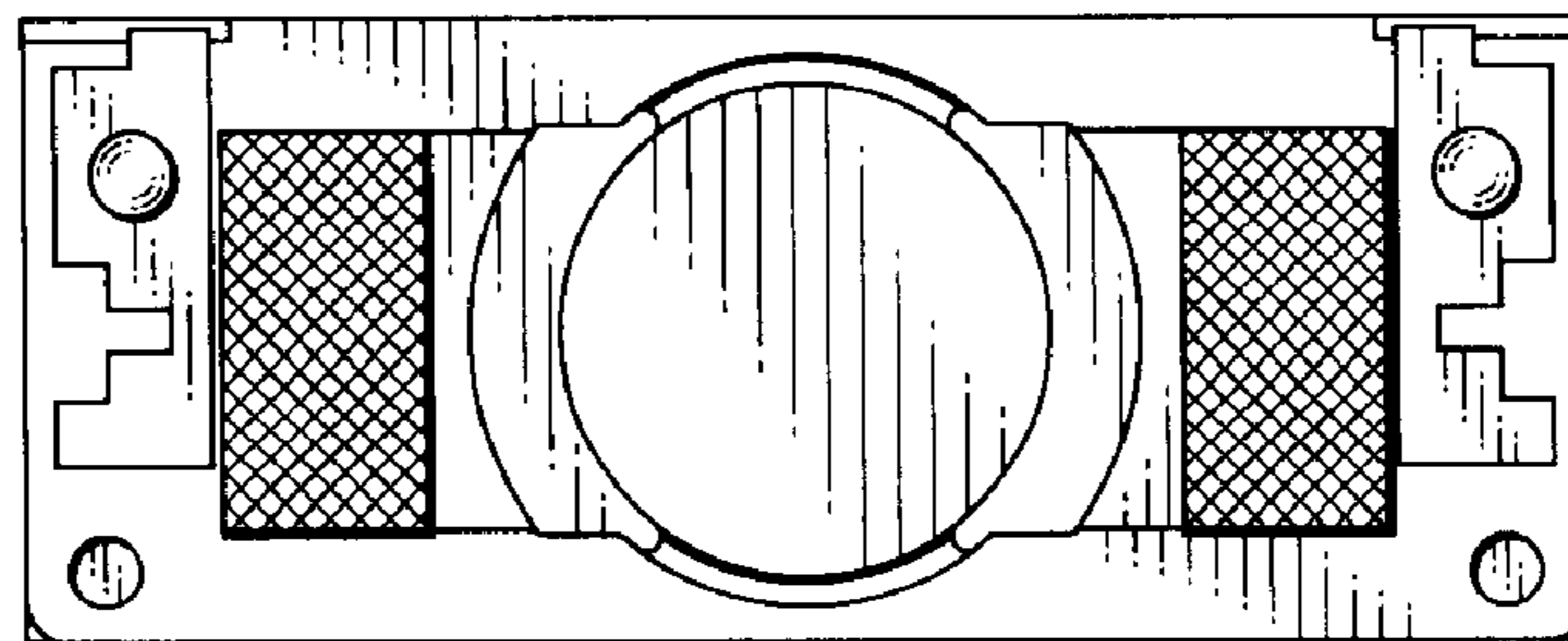


Fig. 5

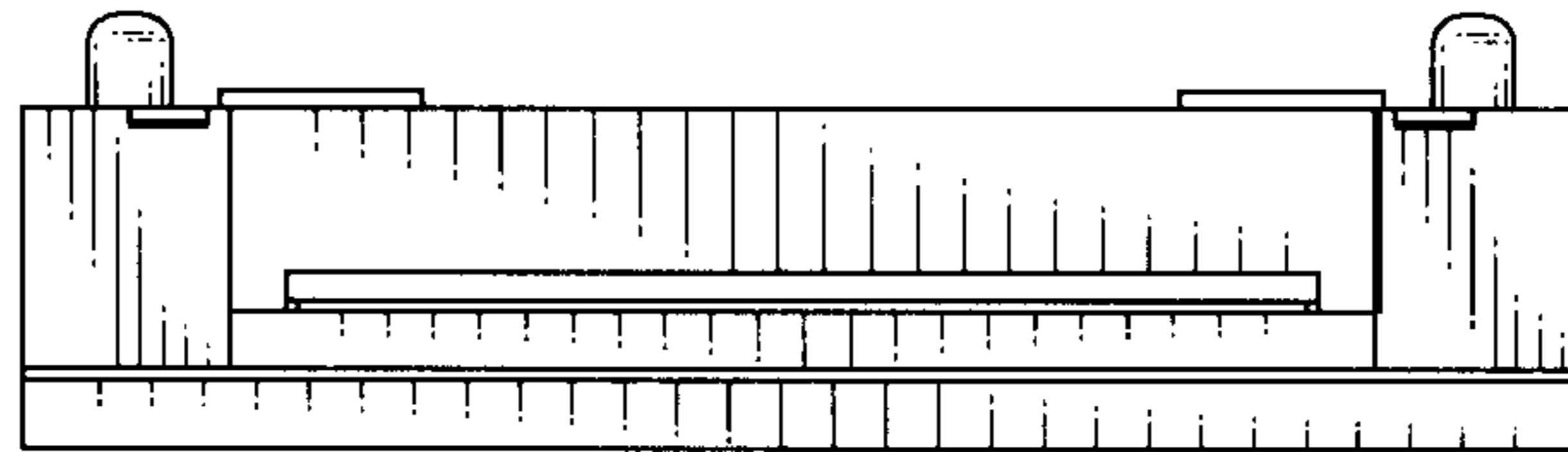


Fig. 6

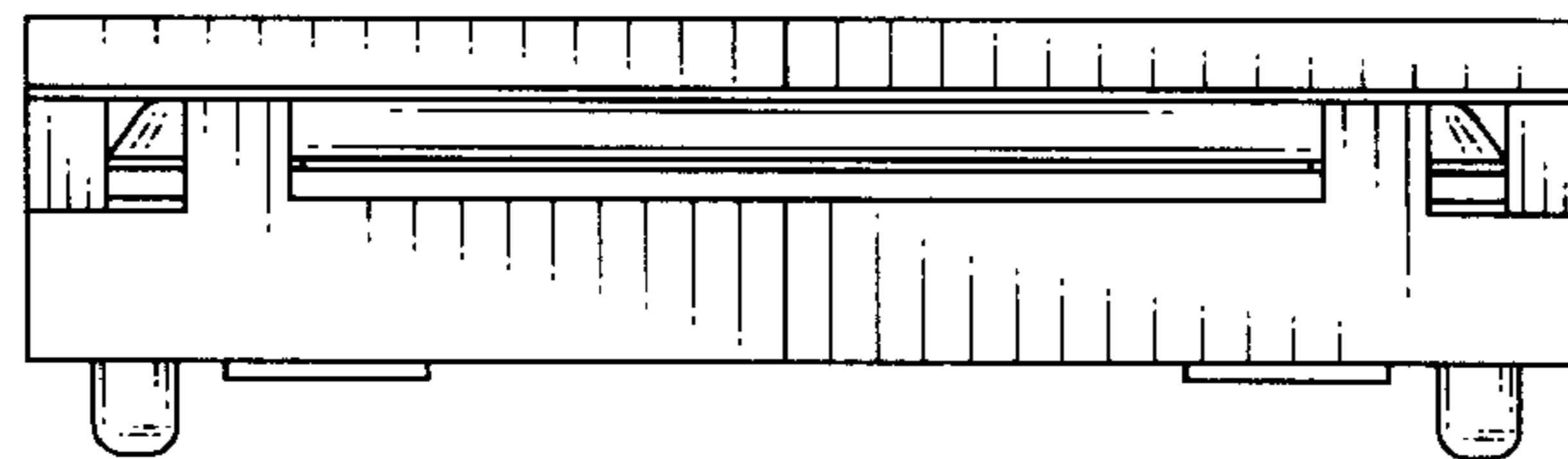


Fig. 7

