

US00D519985S

(12) **United States Design Patent**  
**Wikel et al.**

(10) **Patent No.:** **US D519,985 S**

(45) **Date of Patent:** **\*\* May 2, 2006**

(54) **EARPHONE POD AND SIMILAR ARTICLES**

(75) Inventors: **Harold L. Wikel**, Muskego, WI (US);  
**Jon Godston**, Chicago, IL (US)

(73) Assignee: **Motorola, Inc.**, Schaumburg, IL (US)

(\*\*) Term: **14 Years**

(21) Appl. No.: **29/220,686**

(22) Filed: **Jan. 4, 2005**

(51) **LOC (8) Cl.** ..... **14-01**

(52) **U.S. Cl.** ..... **D14/205**

(58) **Field of Classification Search** ..... D14/205,  
D14/206, 223, 224, 249; 181/129, 130, 135,  
181/137; 379/430, 447, 368; 455/575.2; 381/309,  
381/379, 371, 384; 2/209

See application file for complete search history.

(56) **References Cited**

**U.S. PATENT DOCUMENTS**

|           |   |   |         |                 |       |         |
|-----------|---|---|---------|-----------------|-------|---------|
| 1,368,307 | A | * | 2/1921  | Waldron         | ..... | 181/129 |
| 1,527,802 | A | * | 2/1925  | Huggins         | ..... | 181/129 |
| D153,112  | S | * | 3/1949  | Braun et al.    | ..... | D14/205 |
| 3,073,410 | A | * | 1/1963  | Gongoll et al.  | ..... | 2/209   |
| 3,192,326 | A | * | 6/1965  | Chapman         | ..... | 379/447 |
| 3,829,624 | A | * | 8/1974  | Goodin et al.   | ..... | 381/371 |
| D249,508  | S | * | 9/1978  | Coughlin et al. | ..... | D14/223 |
| 4,620,068 | A | * | 10/1986 | Wieder          | ..... | 379/430 |

|           |   |   |         |              |       |         |
|-----------|---|---|---------|--------------|-------|---------|
| 4,741,030 | A | * | 4/1988  | Wilson       | ..... | 379/368 |
| 4,981,194 | A | * | 1/1991  | Kamon et al. | ..... | 181/129 |
| D435,249  | S | * | 12/2000 | Yasutomi     | ..... | D14/205 |

**OTHER PUBLICATIONS**

“Potential Headset Benchmarking”, Motorola, Inc., 1 page, no date.

\* cited by examiner

*Primary Examiner*—Paula A. Greene

(74) *Attorney, Agent, or Firm*—Roland K. Bowler, II

(57) **CLAIM**

The ornamental design for earphone pod and similar articles, as shown.

**DESCRIPTION**

FIG. 1 is a first perspective view of ornamental earphone pod and similar articles.

FIG. 2 is a front plan view thereof.

FIG. 3 is a rear plan view thereof.

FIG. 4 is a bottom end view thereof.

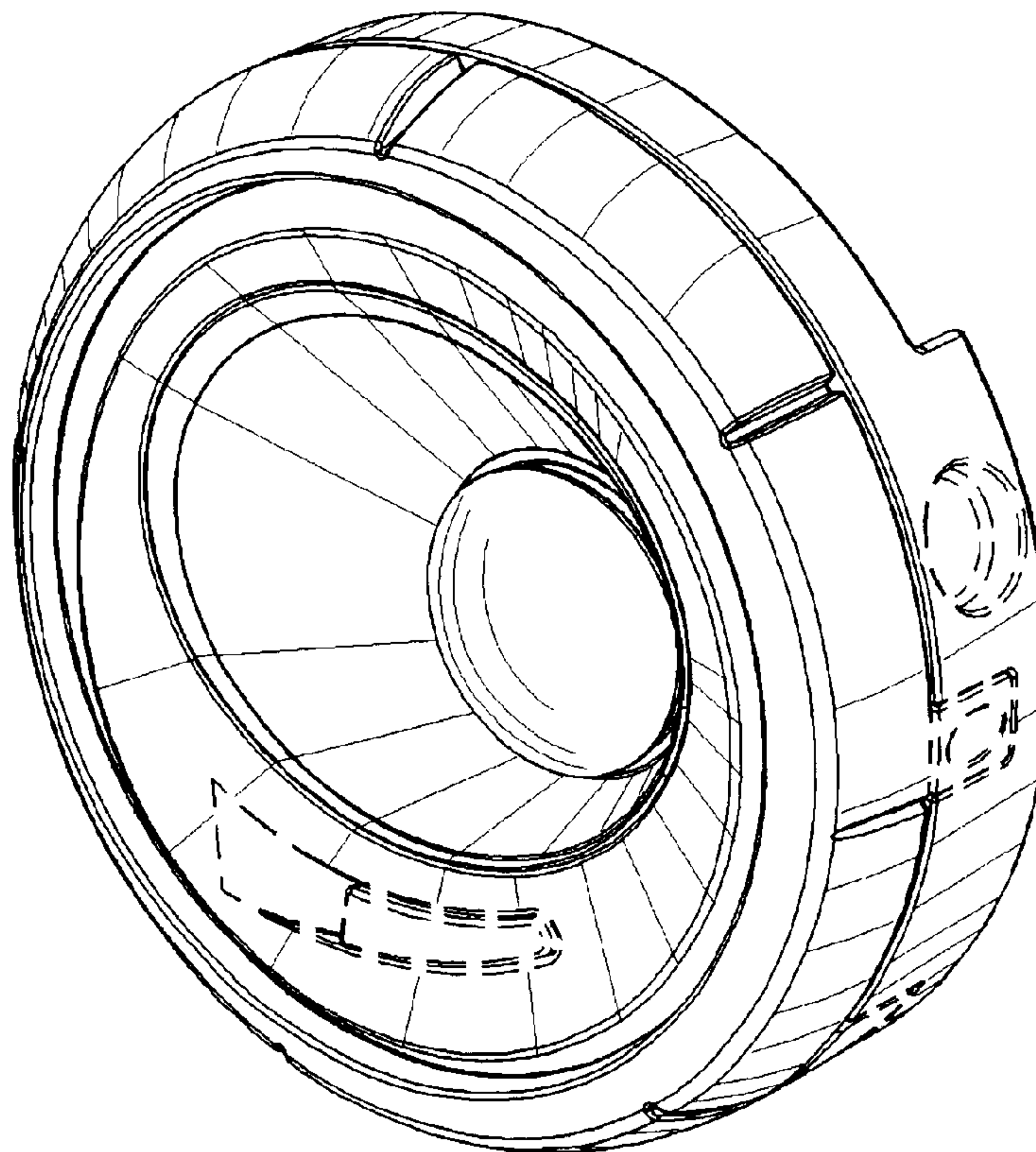
FIG. 5 is a top end view, opposite the bottom end view thereof.

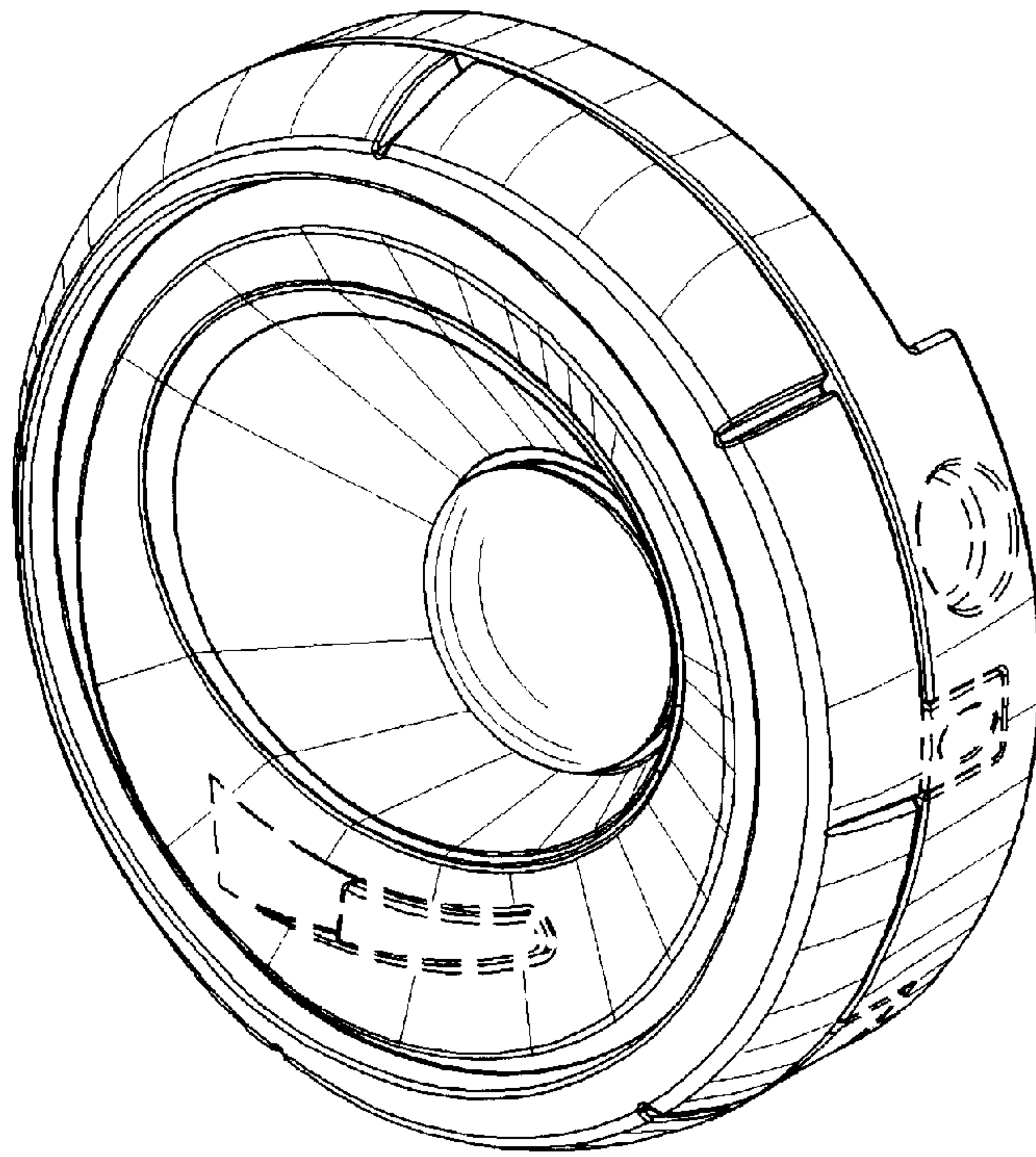
FIG. 6 is a first side view thereof; and,

FIG. 7 is a second side view, opposite the first side view.

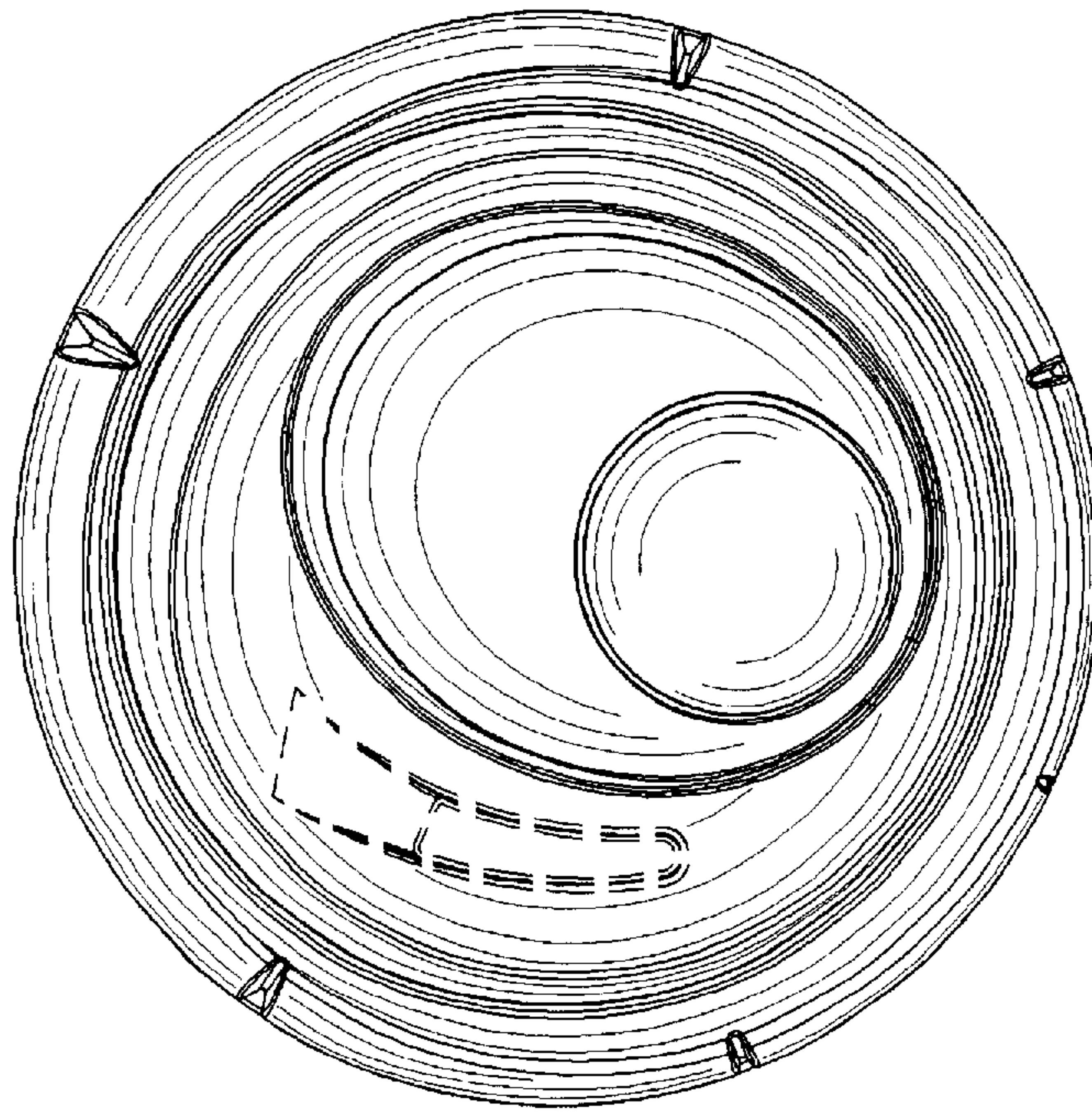
The broken lines are for illustrative purposes only and form no part of the claimed design.

**1 Claim, 4 Drawing Sheets**

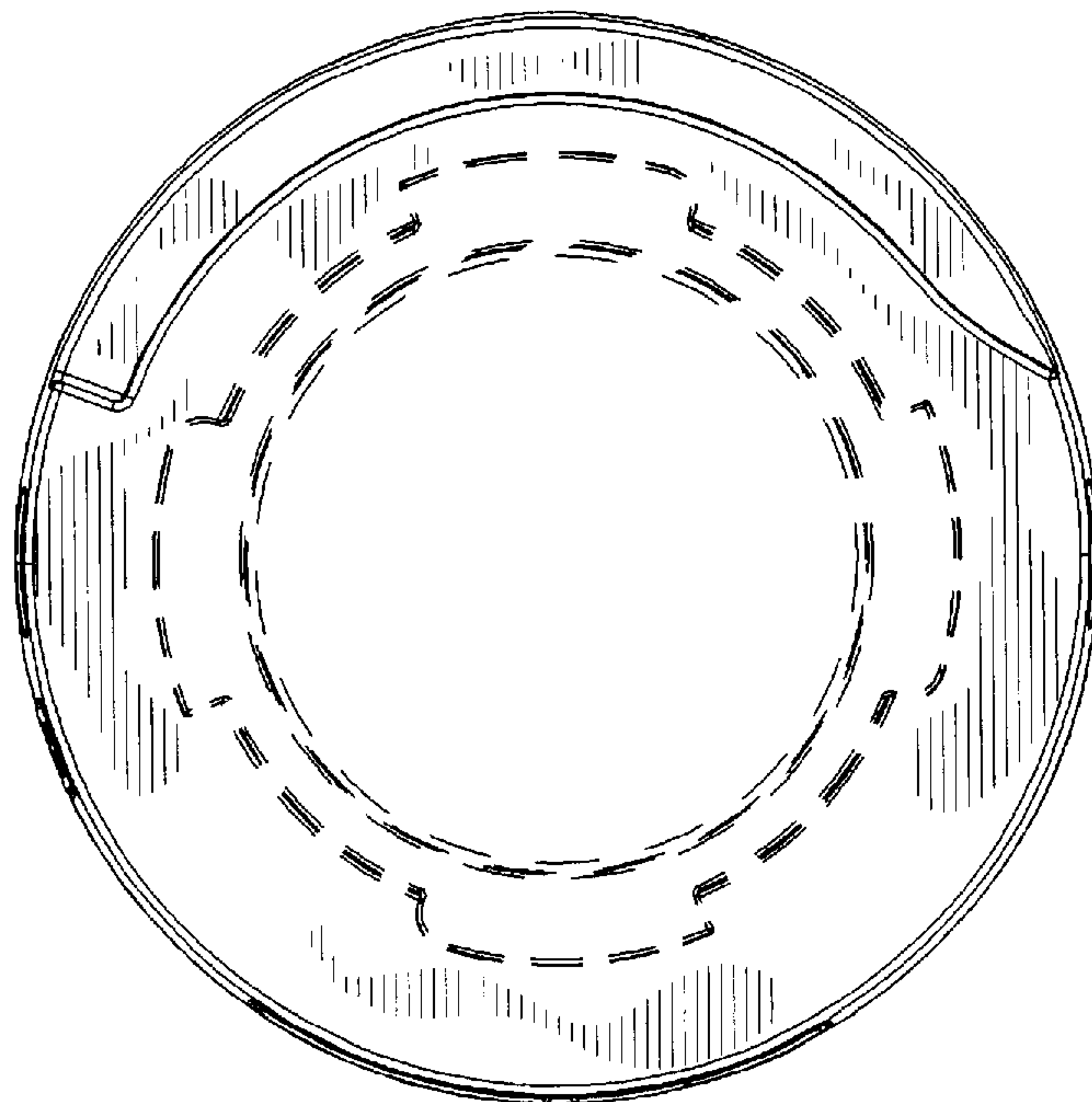




*FIG. 1*

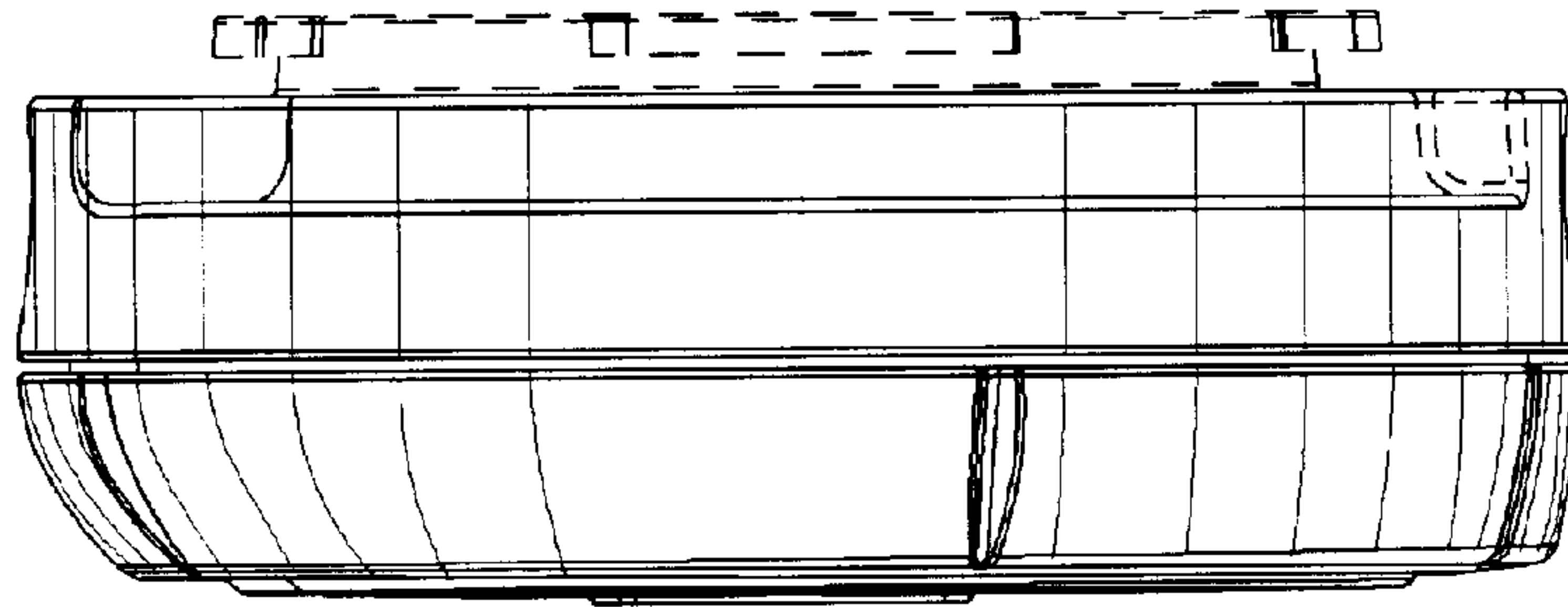


*FIG. 2*

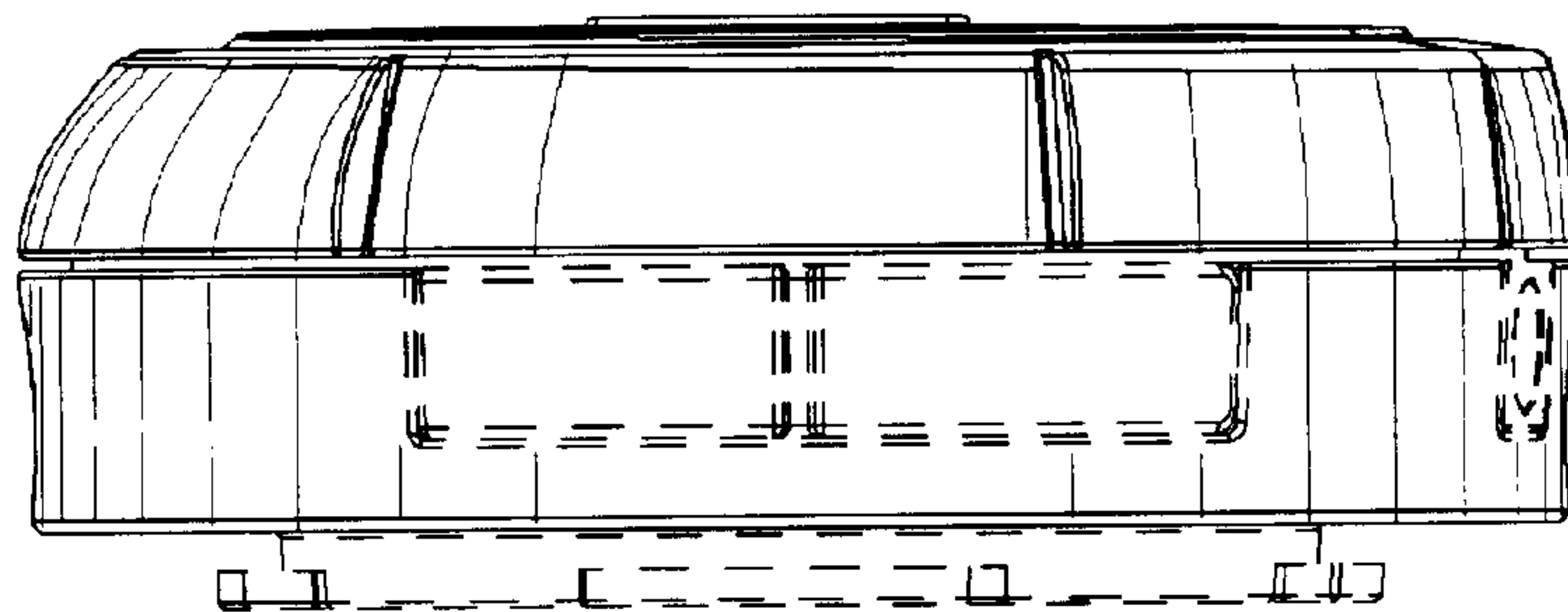


*FIG. 3*

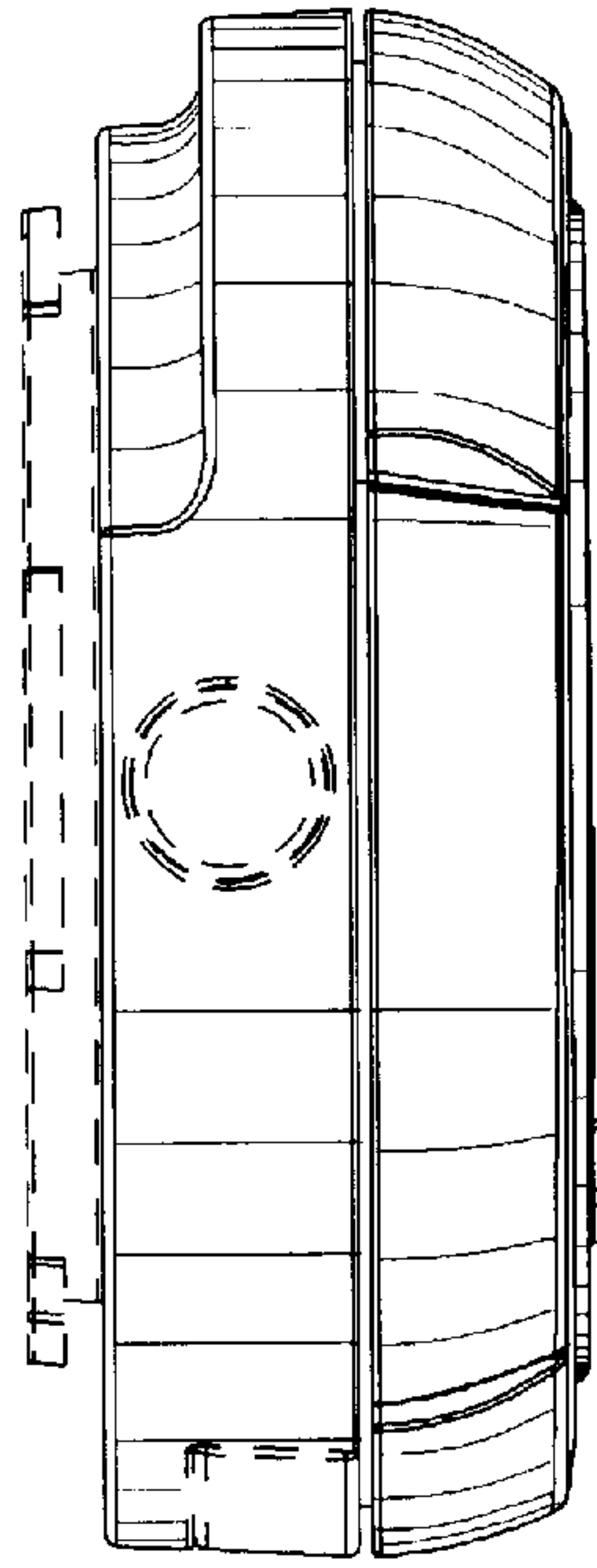




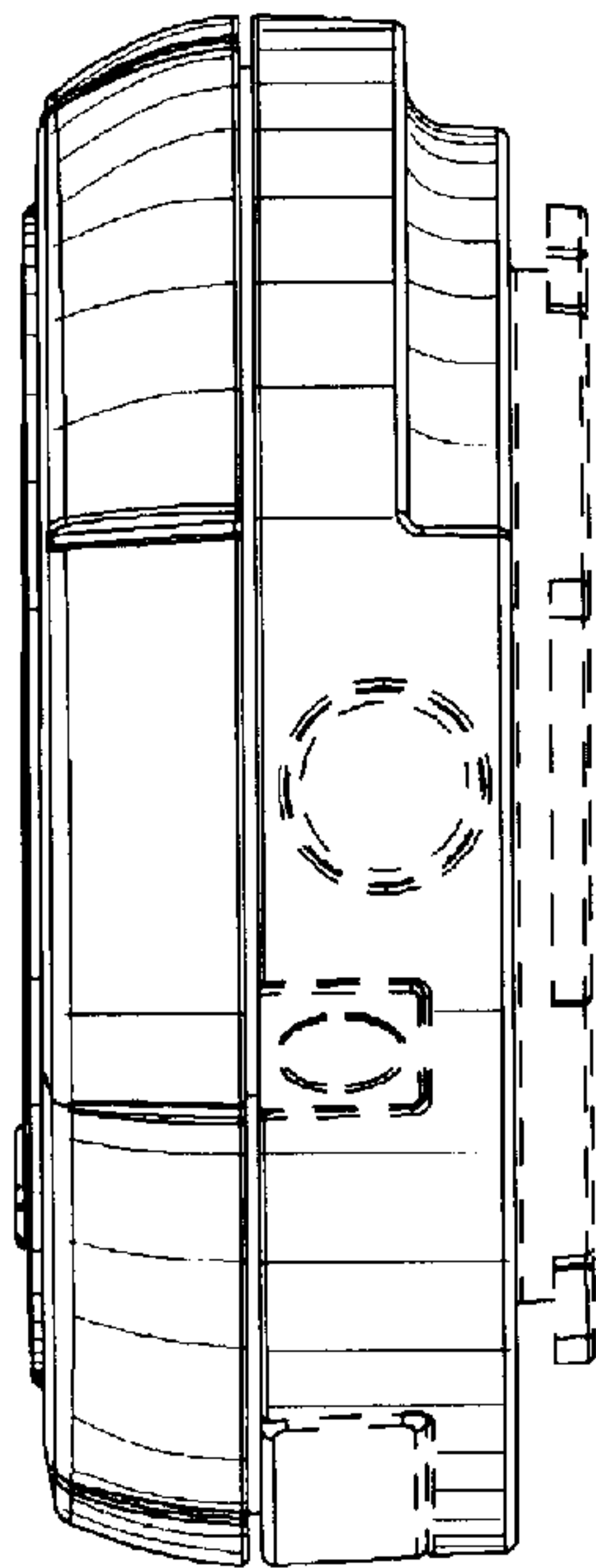
*FIG. 4*



*FIG. 5*



*FIG. 6*



*FIG. 7*