



US00D519984S

(12) **United States Design Patent** (10) **Patent No.:** **US D519,984 S**  
**Hirano et al.** (45) **Date of Patent:** **\*\* May 2, 2006**

(54) **SPEAKER BOX**

(75) Inventors: **Shinpei Hirano**, Tokyo (JP); **Hiroaki Yokoyama**, Tokyo (JP)

(73) Assignee: **Sony Corporation**, Tokyo (JP)

(\*\*) Term: **14 Years**

(21) Appl. No.: **29/217,760**

(22) Filed: **Nov. 23, 2004**

(51) **LOC (8) Cl.** ..... **14-01**

(52) **U.S. Cl.** ..... **D14/204; D14/216**

(58) **Field of Classification Search** ..... D14/204,  
D14/207, 209–216, 356; 181/143–144, 147–148,  
181/150, 157, 198–199, 151, 153; 381/300–302,  
381/306, 333, 345, 361–364, 386–388, 332,  
381/336

See application file for complete search history.

(56) **References Cited**

**U.S. PATENT DOCUMENTS**

5,546,468	A	*	8/1996	Beard	.....	381/86
D374,444	S	*	10/1996	Blessing	.....	D14/216
D416,900	S	*	11/1999	Yamada	.....	D14/214
D440,556	S		4/2001	Kobayashi et al.		
D442,574	S		5/2001	Ishii		
D450,312	S		11/2001	Ishii		
D483,349	S		12/2003	Murakami		
D491,167	S		6/2004	Yokoyama		

**OTHER PUBLICATIONS**

Web page “SRST88” [http://www.sonystyle.com/is-bin/INTERSHOP.enfinity/eCS/Store/en/-/USD/SY\\_DisplayProductionInformation-Start;sid=B4oikTgiblwEnl641...](http://www.sonystyle.com/is-bin/INTERSHOP.enfinity/eCS/Store/en/-/USD/SY_DisplayProductionInformation-Start;sid=B4oikTgiblwEnl641...), 1 sheet, Sony (Sep. 2004).

Web page “MZ-E810SP-P MD” <http://www.yodobashi.com/enjoy/more/i/6853691.html>, 1 sheet, Yodobashi Camera (Sep. 2004).

Web page “SRS-T57” [http://www.sonystyle.com/is-bin/INTERSHOP.enfinity/eCS/Store/en/-/USD/SY\\_DisplayProductionInformation-Start;sid=B4oikTgiblwEnl641...](http://www.sonystyle.com/is-bin/INTERSHOP.enfinity/eCS/Store/en/-/USD/SY_DisplayProductionInformation-Start;sid=B4oikTgiblwEnl641...), 1 sheet, Sony (Sep. 2004).

Web page “Creative Travel Sound i-300 [TSI300]” <http://www.yodobashi.com/enjoy/more/i/11477356.html>, 1 sheet, Yodobashi Camera (Sep. 2004).

Web page “Panasonic, MJ59 TOP” <http://panasonic.jp/pmd/mj59/index.html>, 2 sheets, Matsushita Electric Industrial Co., Ltd. (Sep. 2004).

\* cited by examiner

*Primary Examiner*—Nanda Bondade

(74) *Attorney, Agent, or Firm*—Rader, Fishman & Grauer PLLC

(57) **CLAIM**

The ornamental design for a speaker box, as shown and described.

**DESCRIPTION**

FIG. 1 is a perspective view of a speaker box showing our new design;

FIG. 2 is a front elevational view thereof;

FIG. 3 is a rear elevational view thereof;

FIG. 4 is a left side elevational view thereof;

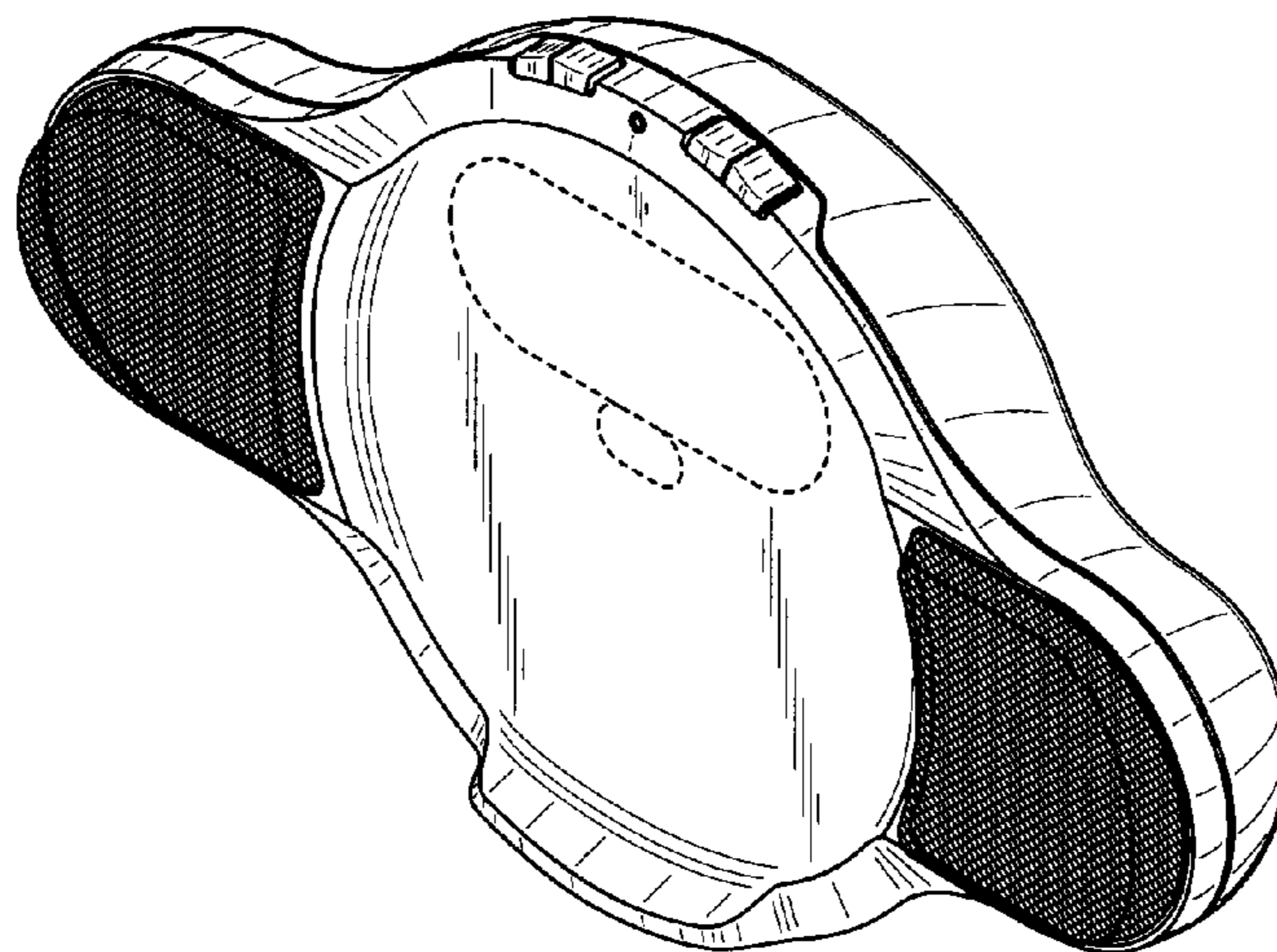
FIG. 5 is a right side elevational view thereof;

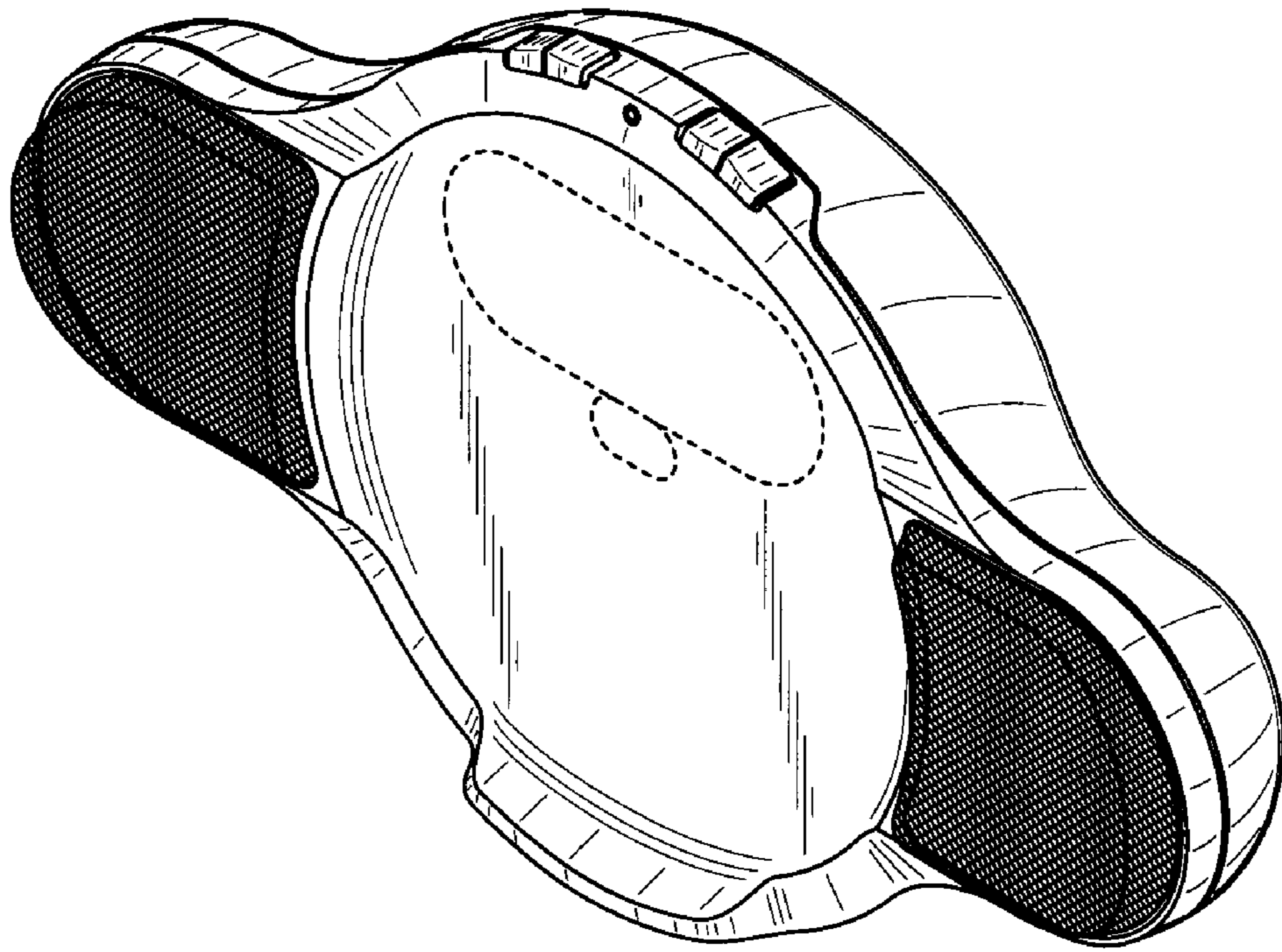
FIG. 6 is a top plan view thereof; and,

FIG. 7 is a bottom plan view thereof.

Portions of FIGS. 1 and 2 that are shown as broken lines are for illustrative purpose only and form no part of the claimed design.

**1 Claim, 4 Drawing Sheets**





*FIG. 1*

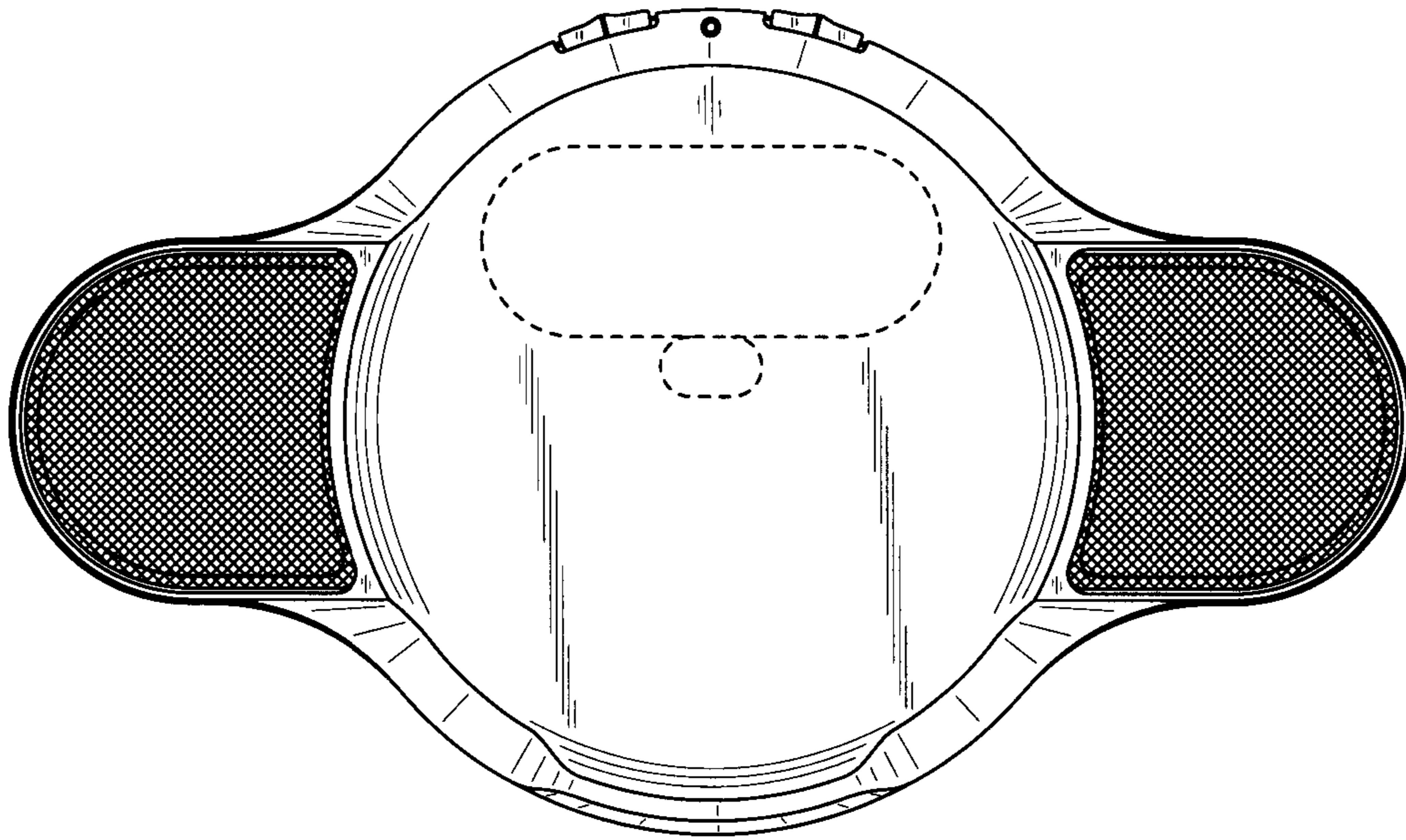


FIG. 2

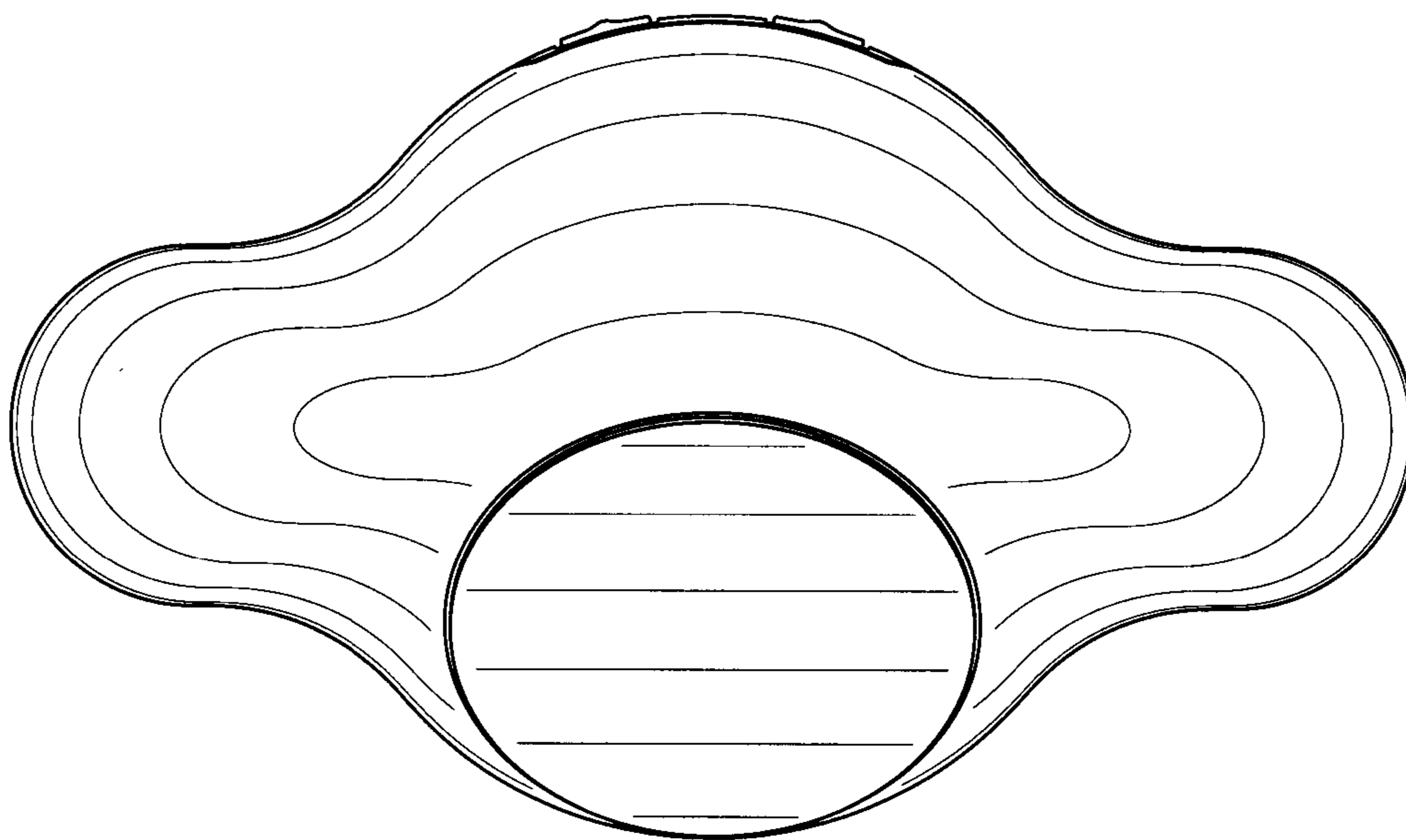


FIG. 3

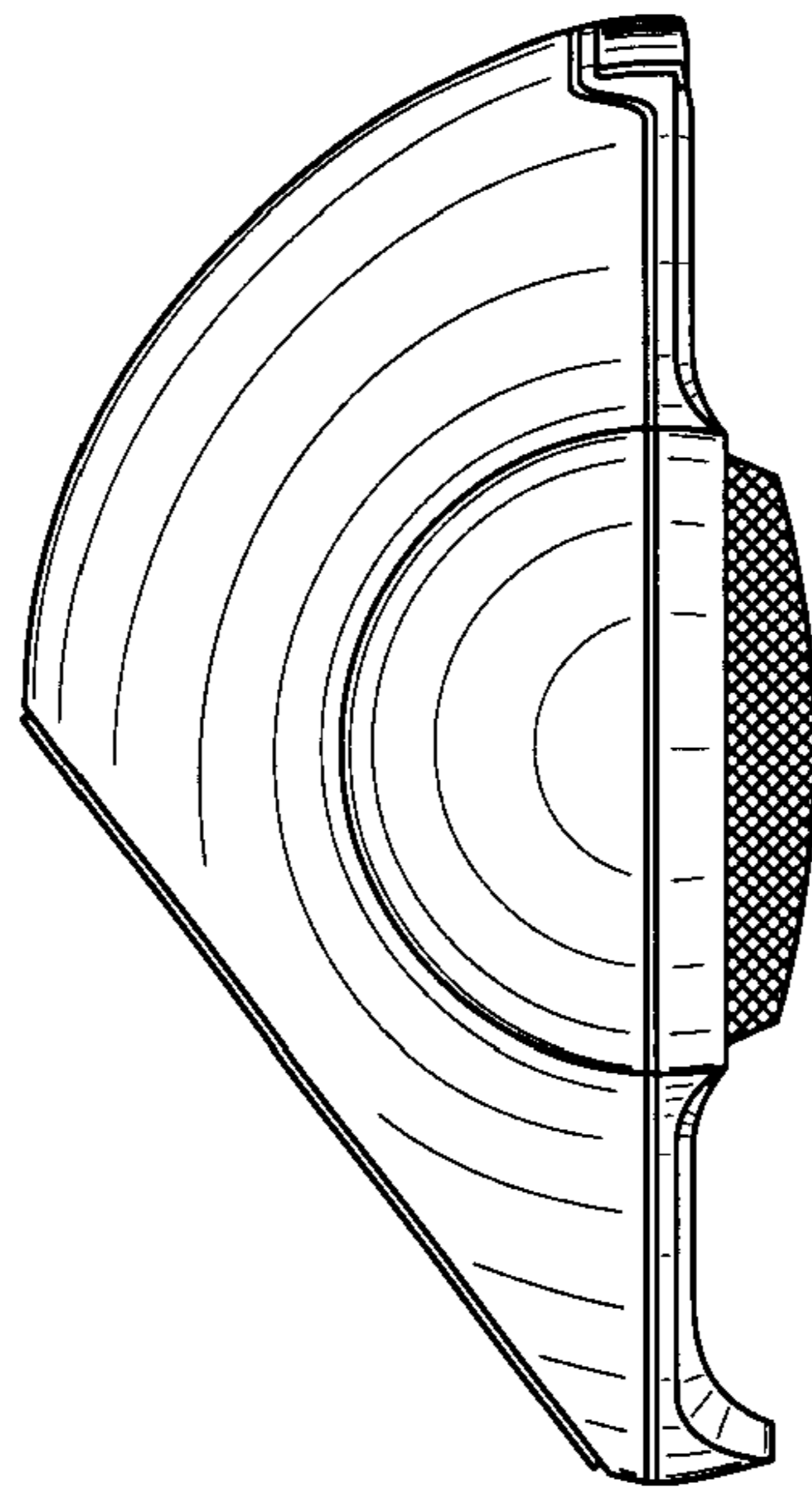


FIG. 4

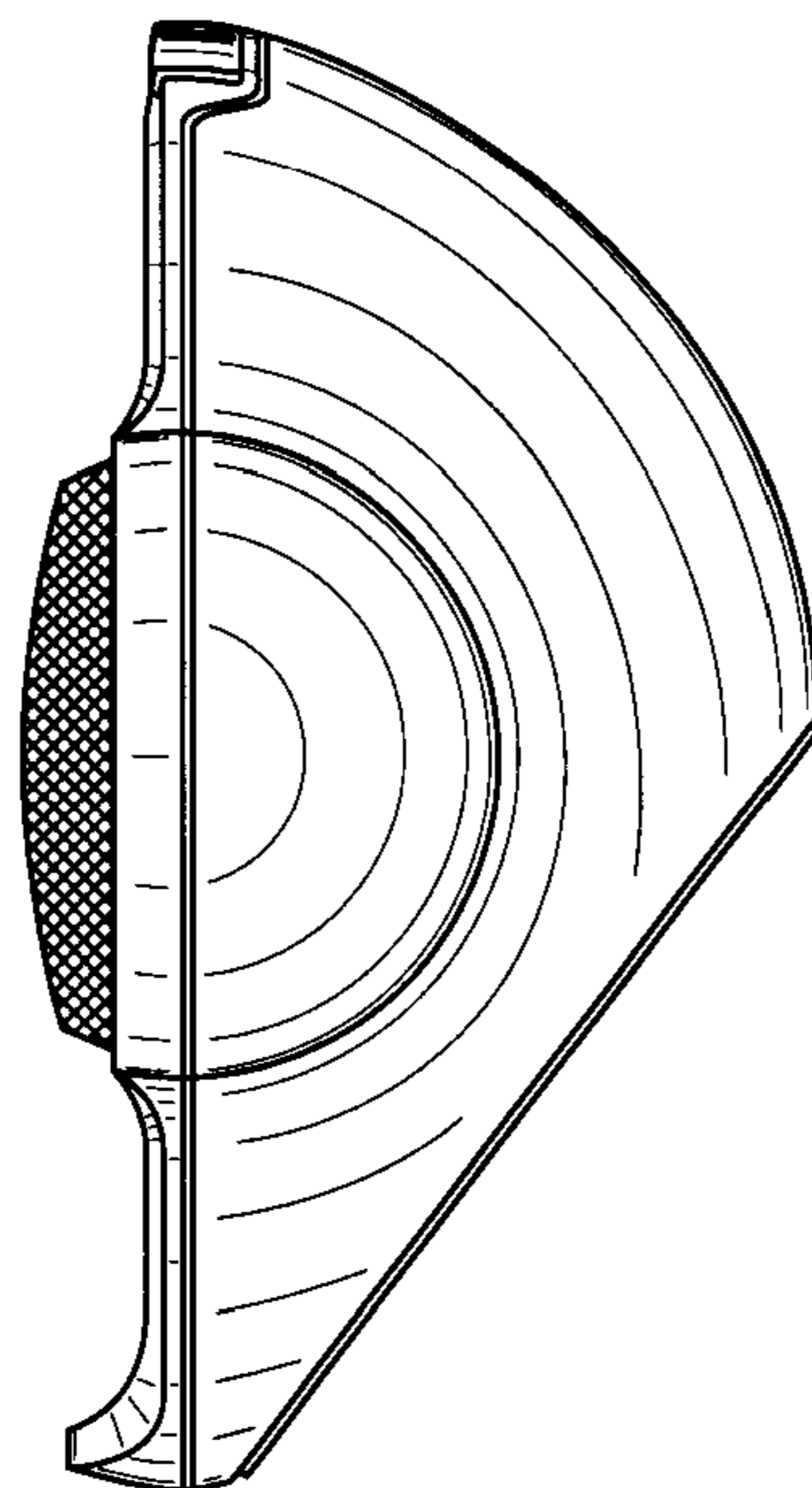


FIG. 5

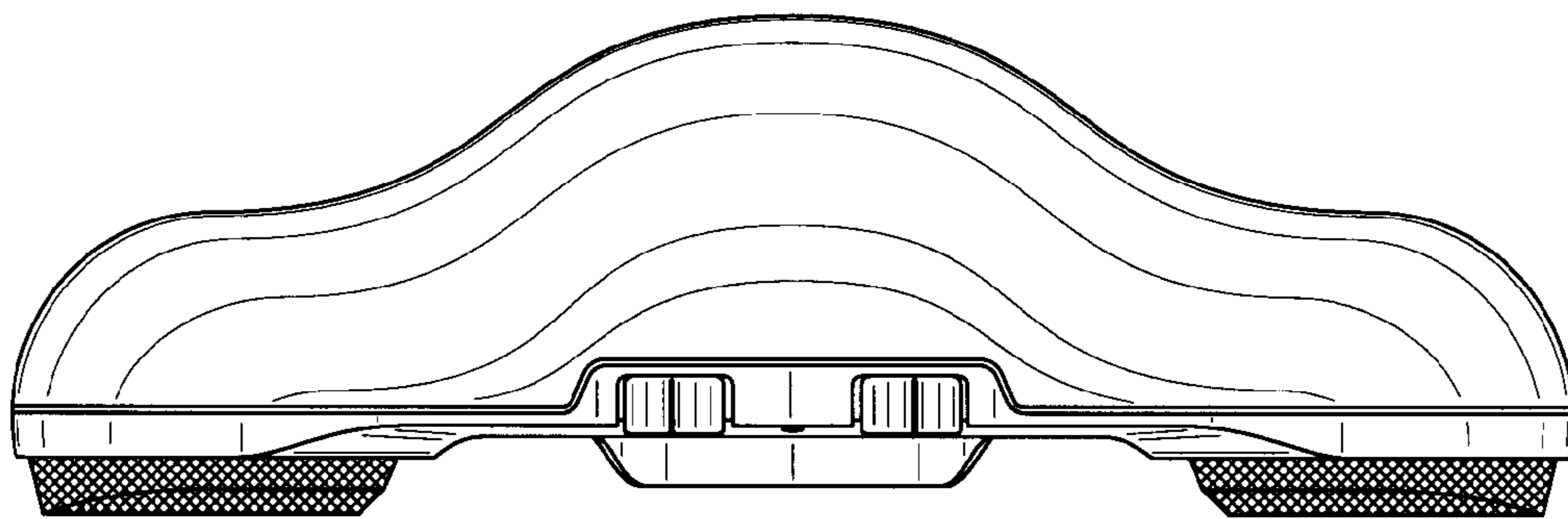


FIG. 6

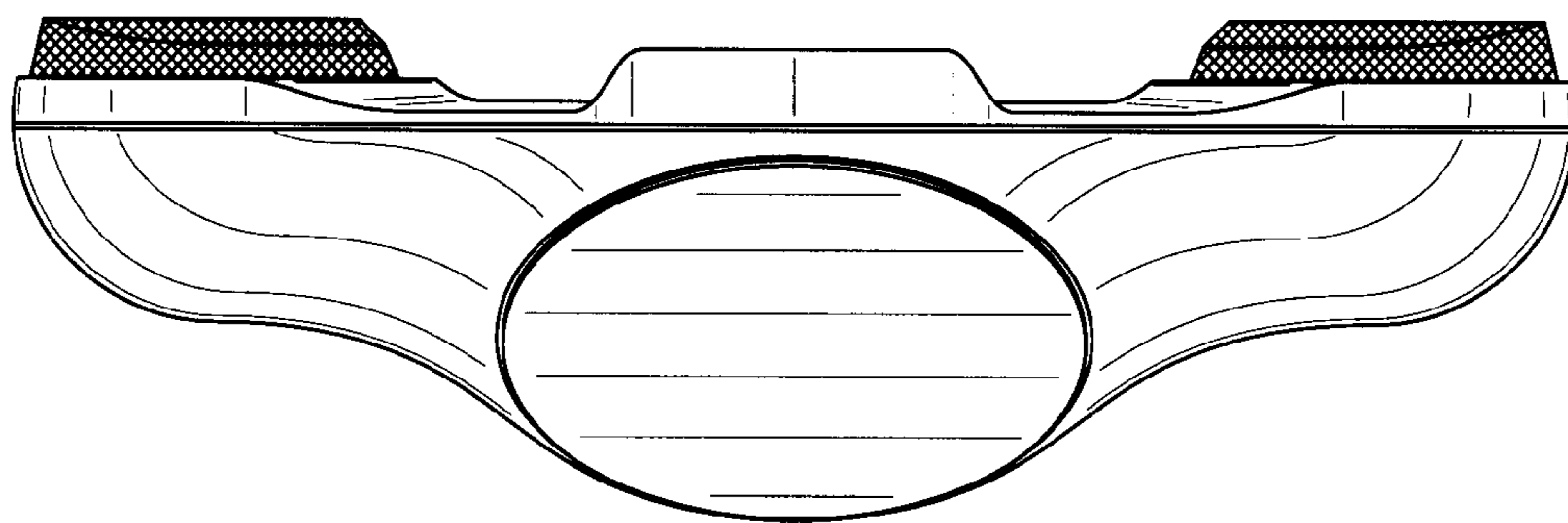


FIG. 7