



US00D519982S

(12) **United States Design Patent**
Haase et al.

(10) **Patent No.:** **US D519,982 S**
(45) **Date of Patent:** **** May 2, 2006**

(54) **MOBILE RADIO**

(75) Inventors: **Andreas Haase**, Plantation, FL (US);
Richard K. Butler, Naples, FL (US);
Daniel Martin, Jr., Hialeah, FL (US);
David H. McClintock, Davie, FL (US);
Scott H. Richards, Plantation, FL (US);
Jianfeng Shi, Sunrise, FL (US); **Jason**
J. Wehrich, Jupiter, FL (US)

(73) Assignee: **Motorola, Inc.**, Schaumburg, IL (US)

(**) Term: **14 Years**

(21) Appl. No.: **29/228,995**

(22) Filed: **May 2, 2005**

(51) **LOC (8) Cl.** **14-03**

(52) **U.S. Cl.** **D14/188; D14/137; D14/157**

(58) **Field of Classification Search** D14/188,
D14/204, 192-198, 216, 265, 137, 496, 155,
D14/157, 218; D21/517; 455/347-351, 403,
455/3.06, 550.1, 90.3; 369/1, 6-12; 379/433.01-433.13,
379/428.01, 434, 419; 381/86

See application file for complete search history.

(56) **References Cited**

U.S. PATENT DOCUMENTS

2,501,689 A * 3/1950 Peterson 312/7.1
5,130,891 A * 7/1992 Christie 361/726
D377,795 S * 2/1997 Gropper D14/197

5,802,458 A * 9/1998 Van Zeijl et al. 455/575.5
D431,816 S * 10/2000 Beaumont et al. D14/188
6,421,233 B1 * 7/2002 Hong 361/683
D473,855 S * 4/2003 Escorcia et al. D14/188
D475,988 S * 6/2003 Otani et al. D14/188
D480,696 S * 10/2003 Escorcia et al. D14/137
D498,226 S * 11/2004 Tien D14/188

* cited by examiner

Primary Examiner—Prabhakar Deshmukh

(57) **CLAIM**

The ornamental design for a mobile radio, as shown and described.

DESCRIPTION

FIG. 1 is a front, top and right side perspective view of a mobile radio showing our new design;

FIG. 2 is a top view thereof;

FIG. 3 is a bottom view thereof;

FIG. 4 is left view thereof;

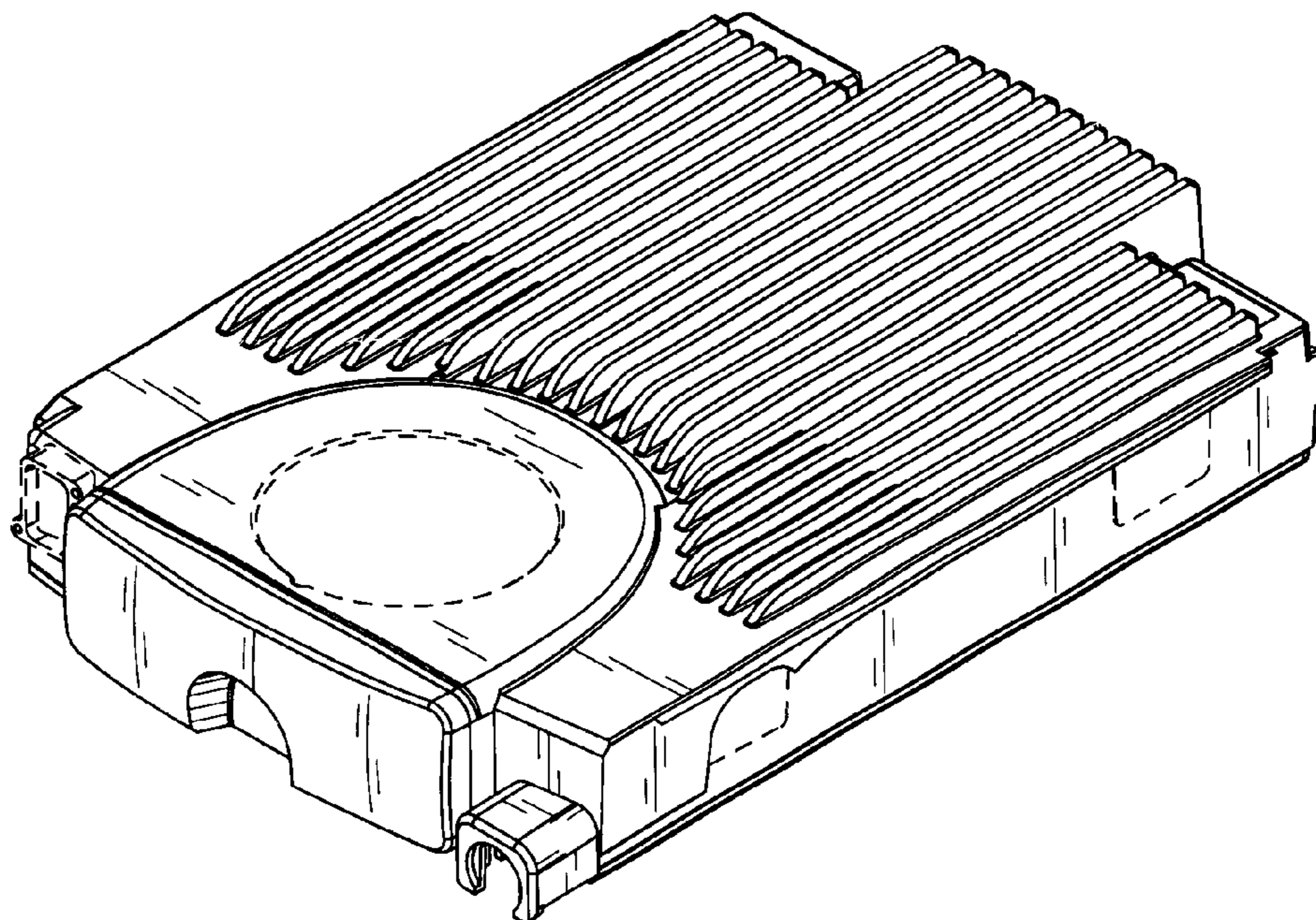
FIG. 5 is a right view thereof;

FIG. 6 is a back view thereof; and,

FIG. 7 is a front view thereof.

The broken lines shown in FIGS. 1-7 are included for the purpose of illustrating environmental elements only and form no part of the claimed design. The broken lines, which define the boundary of the claimed design form no part thereof.

1 Claim, 4 Drawing Sheets



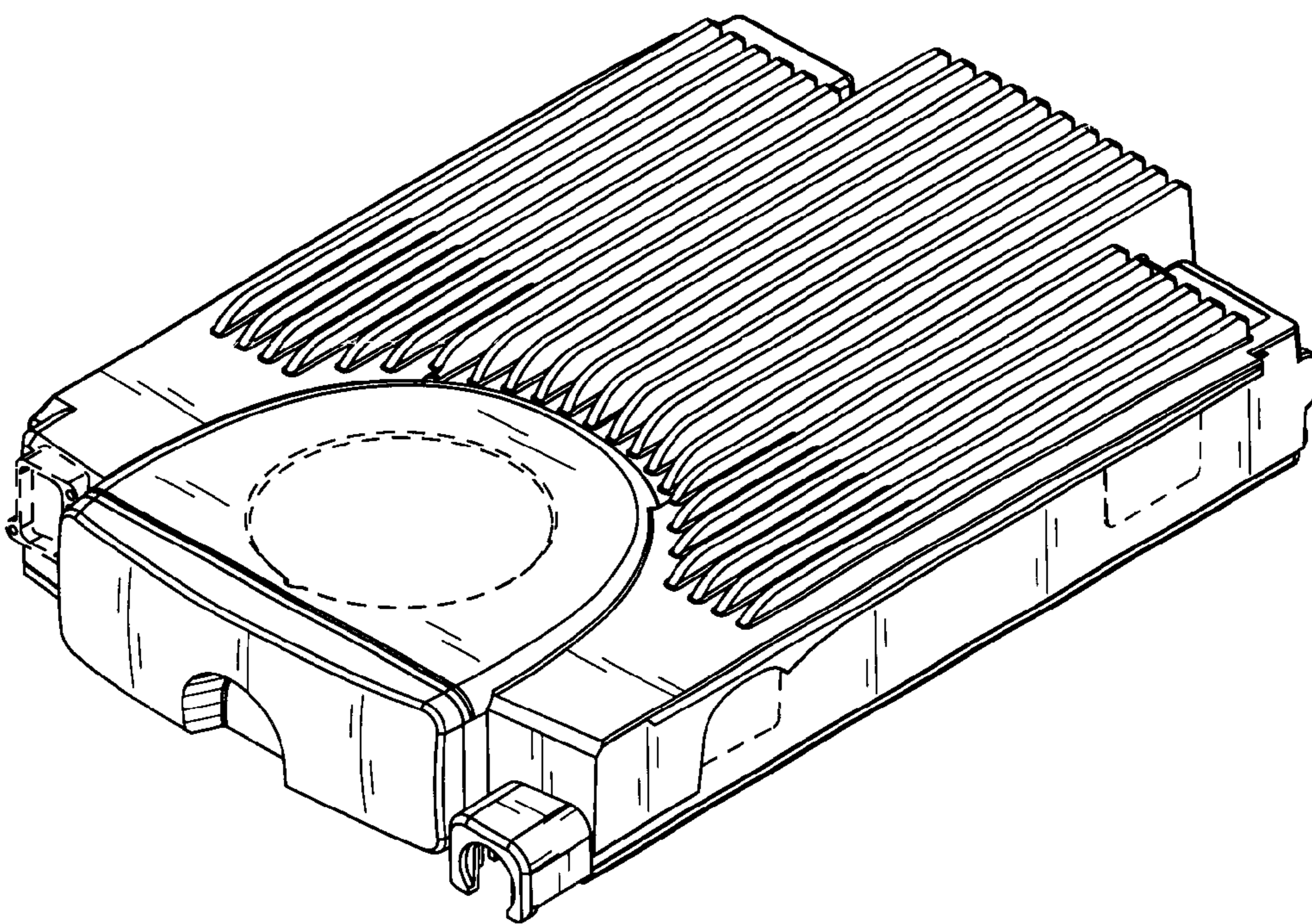


FIG. 1

FIG. 2

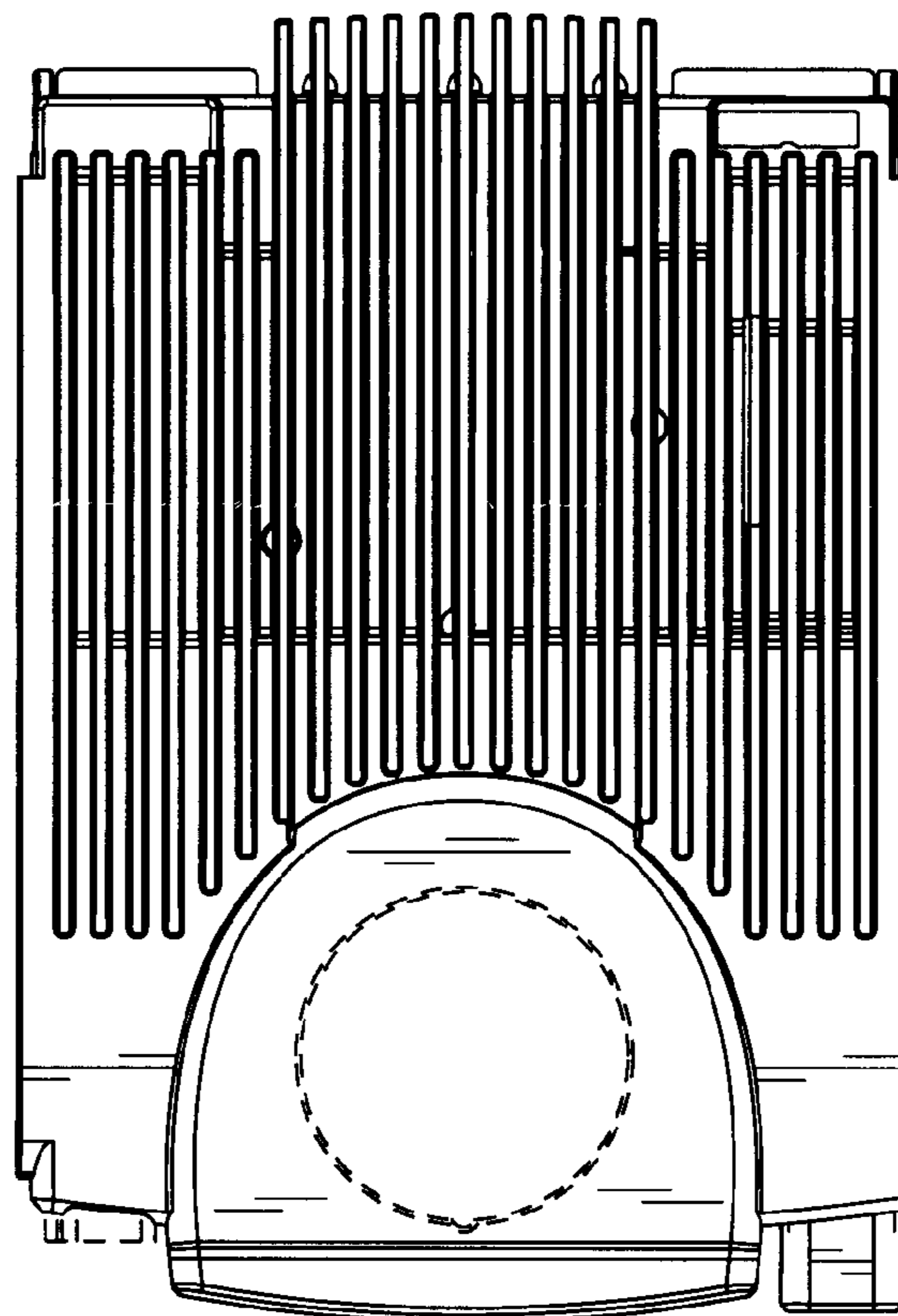
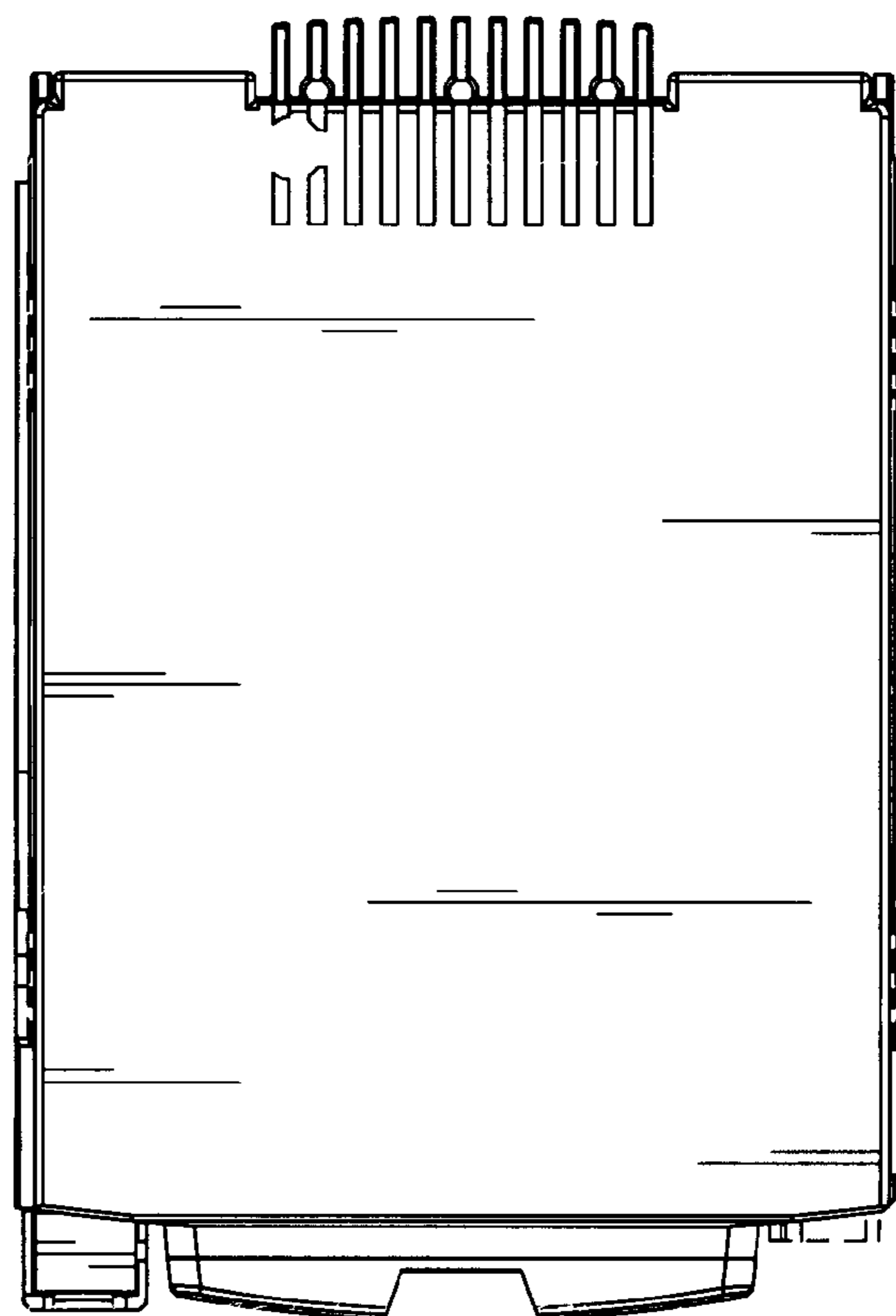


FIG. 3



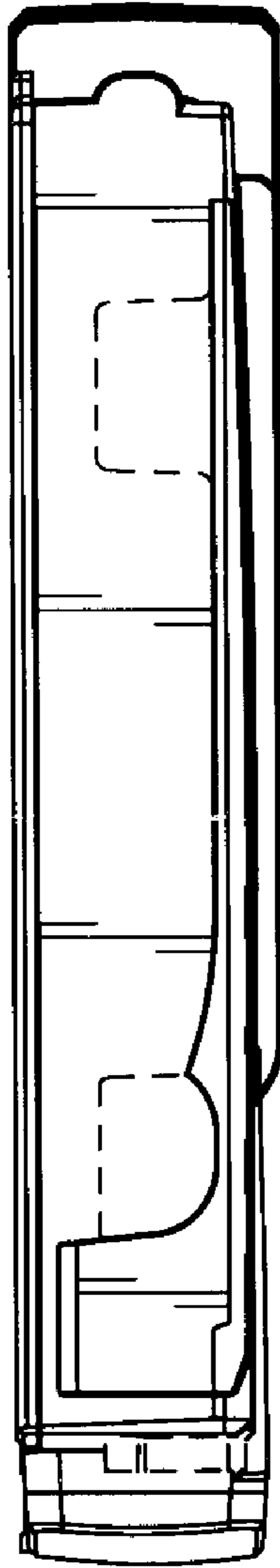


FIG. 4

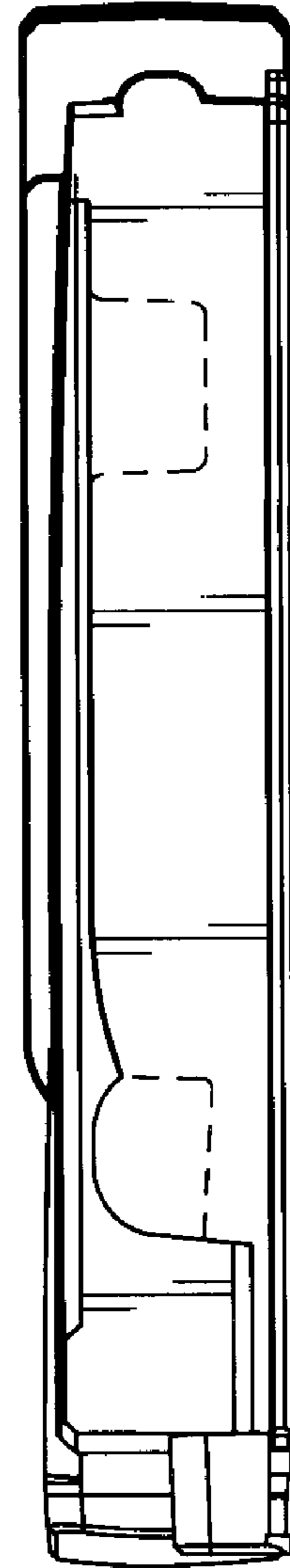


FIG. 5

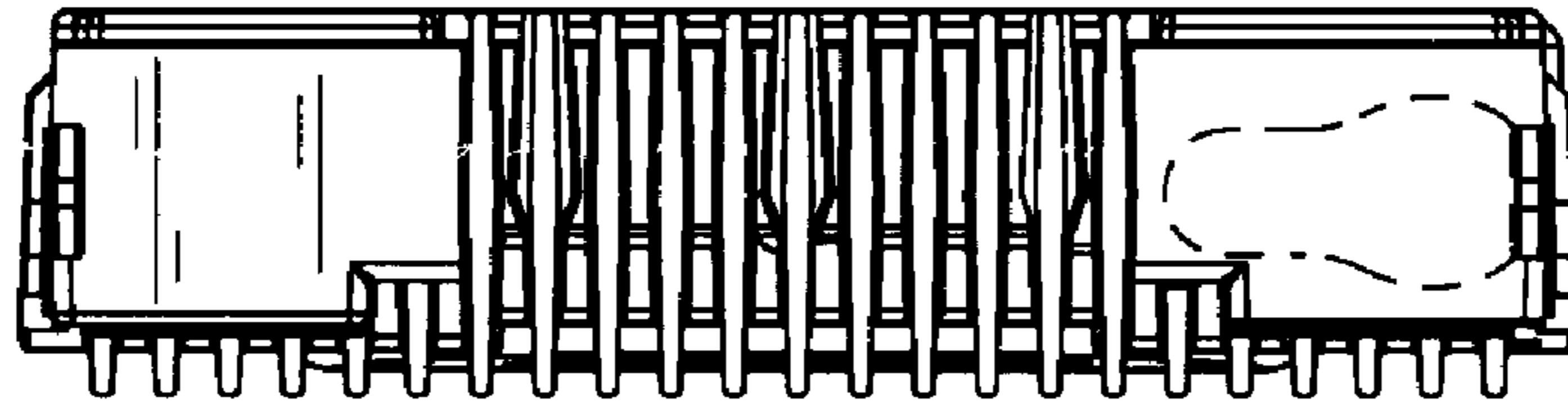


FIG. 6

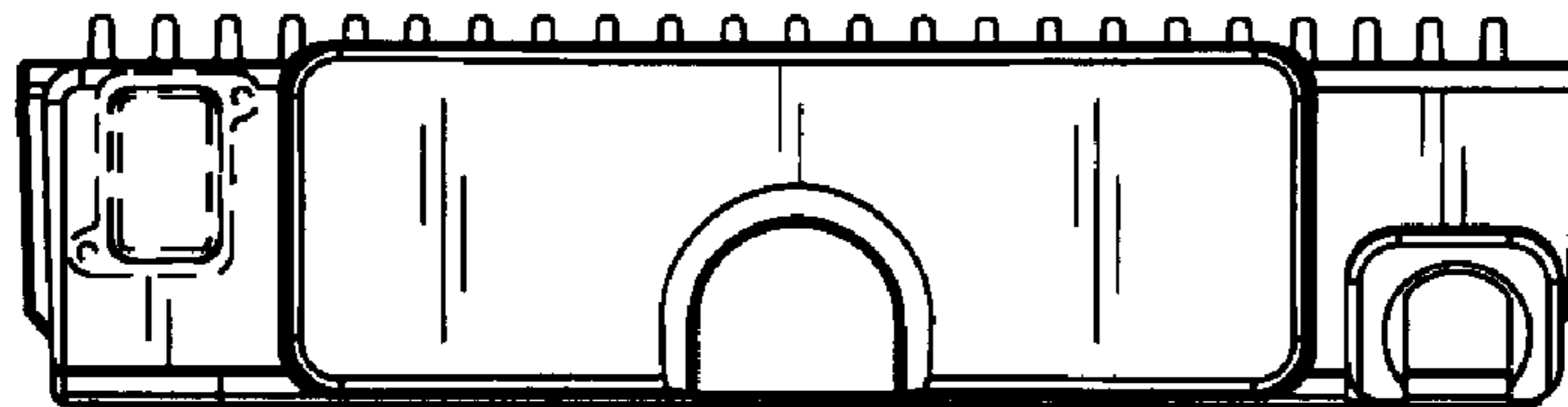


FIG. 7