



US00D519981S

(12) **United States Design Patent**
Lai

(10) **Patent No.:** **US D519,981 S**

(45) **Date of Patent:** **** May 2, 2006**

(54) **RADIO**

(75) Inventor: **Hung Fai Lai**, Hong Kong (CN)

(73) Assignee: **Kings Manufacturing Company, Ltd.**,
Kowloon (HK)

(**) Term: **14 Years**

(21) Appl. No.: **29/222,116**

(22) Filed: **Jan. 27, 2005**

(30) **Foreign Application Priority Data**

Jul. 29, 2004 (CN) 2004300766639

(51) **LOC (8) Cl.** **14-03**

(52) **U.S. Cl.** **D14/188**

(58) **Field of Classification Search** D14/188,
D14/204, 192-198, 216, 265, 137, 496; 455/347-351,
455/403, 3.06, 130; 369/1, 6-12
See application file for complete search history.

(56) **References Cited**

U.S. PATENT DOCUMENTS

2,515,816 A * 7/1950 Zindel, Jr. 455/157.1
D344,949 S * 3/1994 So D14/192
D370,676 S * 6/1996 Sekita D14/171
D382,307 S * 8/1997 Sharpe et al. D21/405
D384,072 S * 9/1997 Ng D14/192

D396,722 S * 8/1998 Benedetti D14/195
5,946,610 A * 8/1999 Hama 455/351
D456,383 S * 4/2002 Chen D14/188
6,728,518 B1 * 4/2004 Scrivens et al. 455/90.2
D506,460 S * 6/2005 Chan D14/188

* cited by examiner

Primary Examiner—Prabhakar Deshmukh

(74) *Attorney, Agent, or Firm*—White, Redway & Brown
LLP

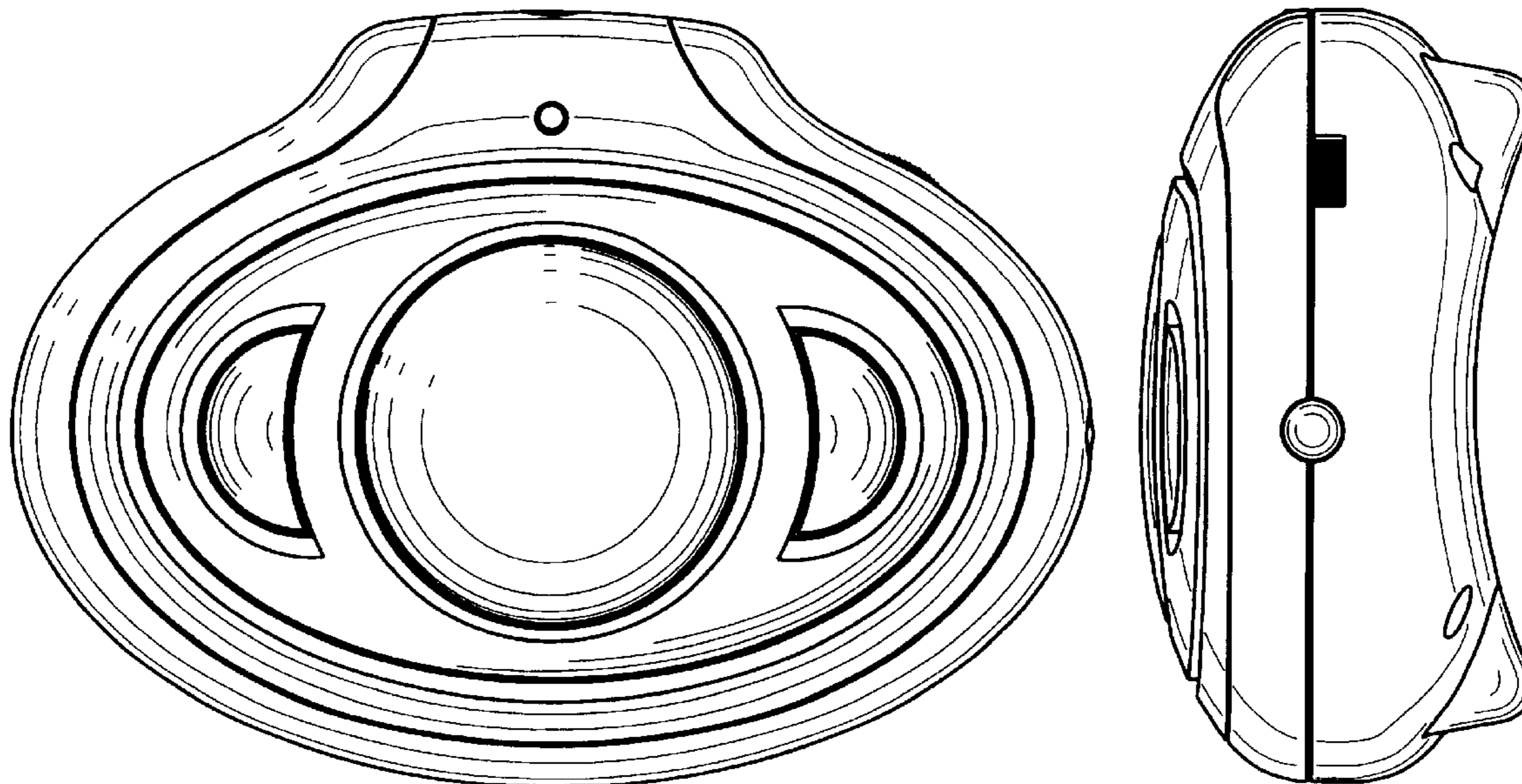
(57) **CLAIM**

The ornamental design for a radio, as shown and described.

DESCRIPTION

FIG. 1 is a top view of a radio according to an embodiment of the present invention in an open position;
FIG. 2 is a bottom view of the radio according to an embodiment of the present invention;
FIG. 3 is a right-side view of the radio according to an embodiment of the present invention;
FIG. 4 is a left-side view of the radio according to an embodiment of the present invention;
FIG. 5 is a front view of the radio according to an embodiment of the present invention; and,
FIG. 6 is a rear view of the radio according to an embodiment of the present invention.

1 Claim, 6 Drawing Sheets



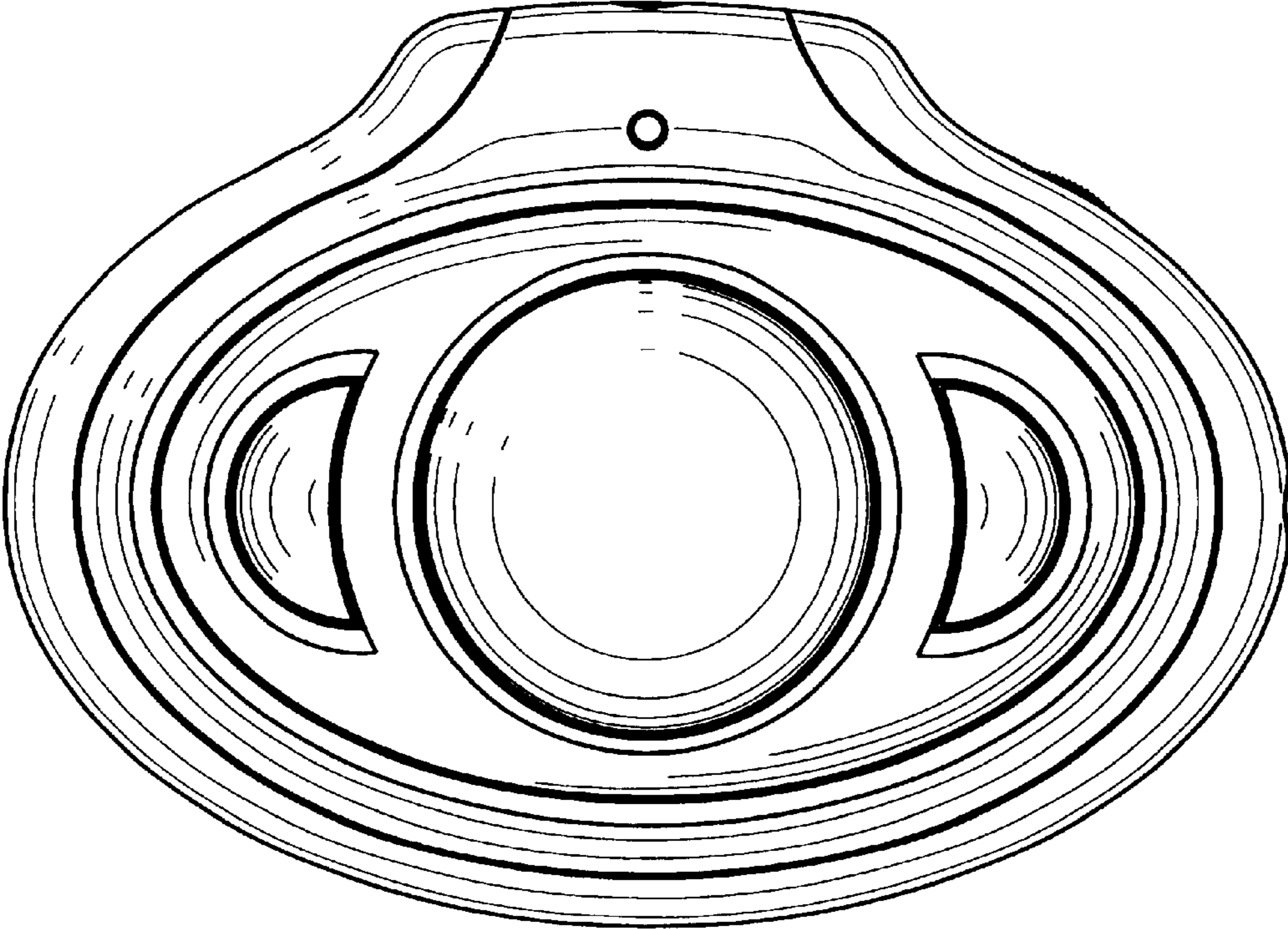


FIG. 1

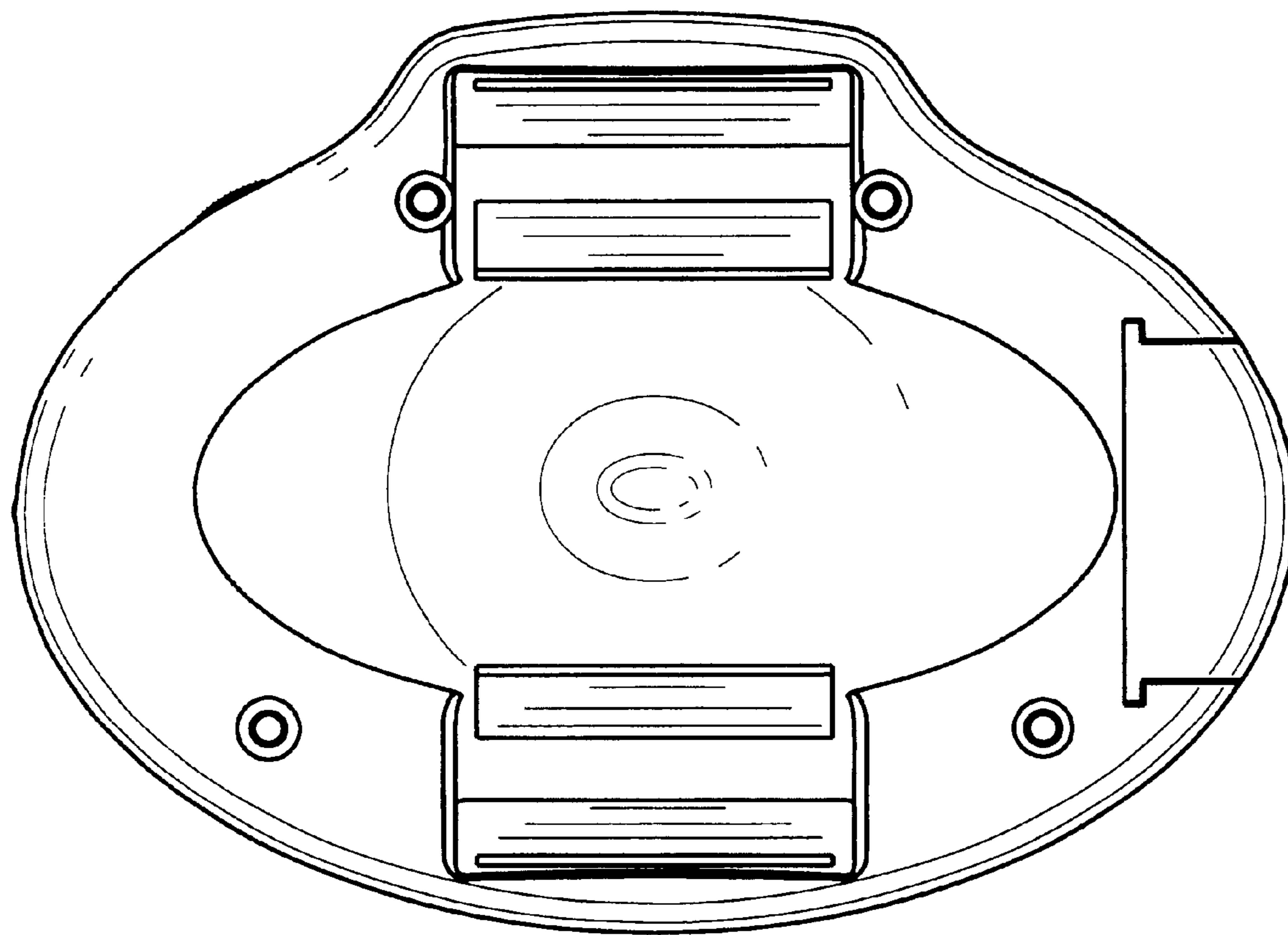


FIG. 2

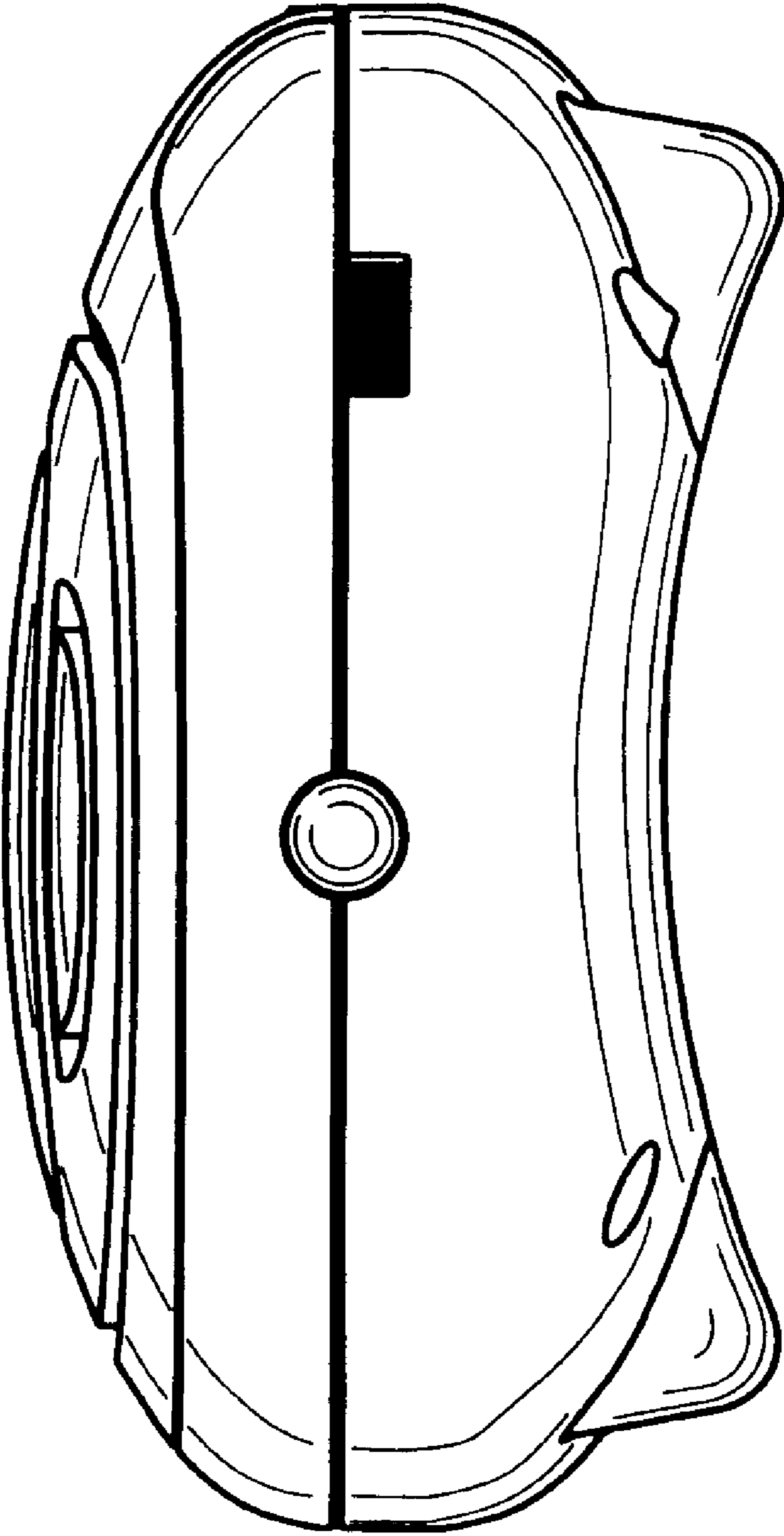


FIG. 3

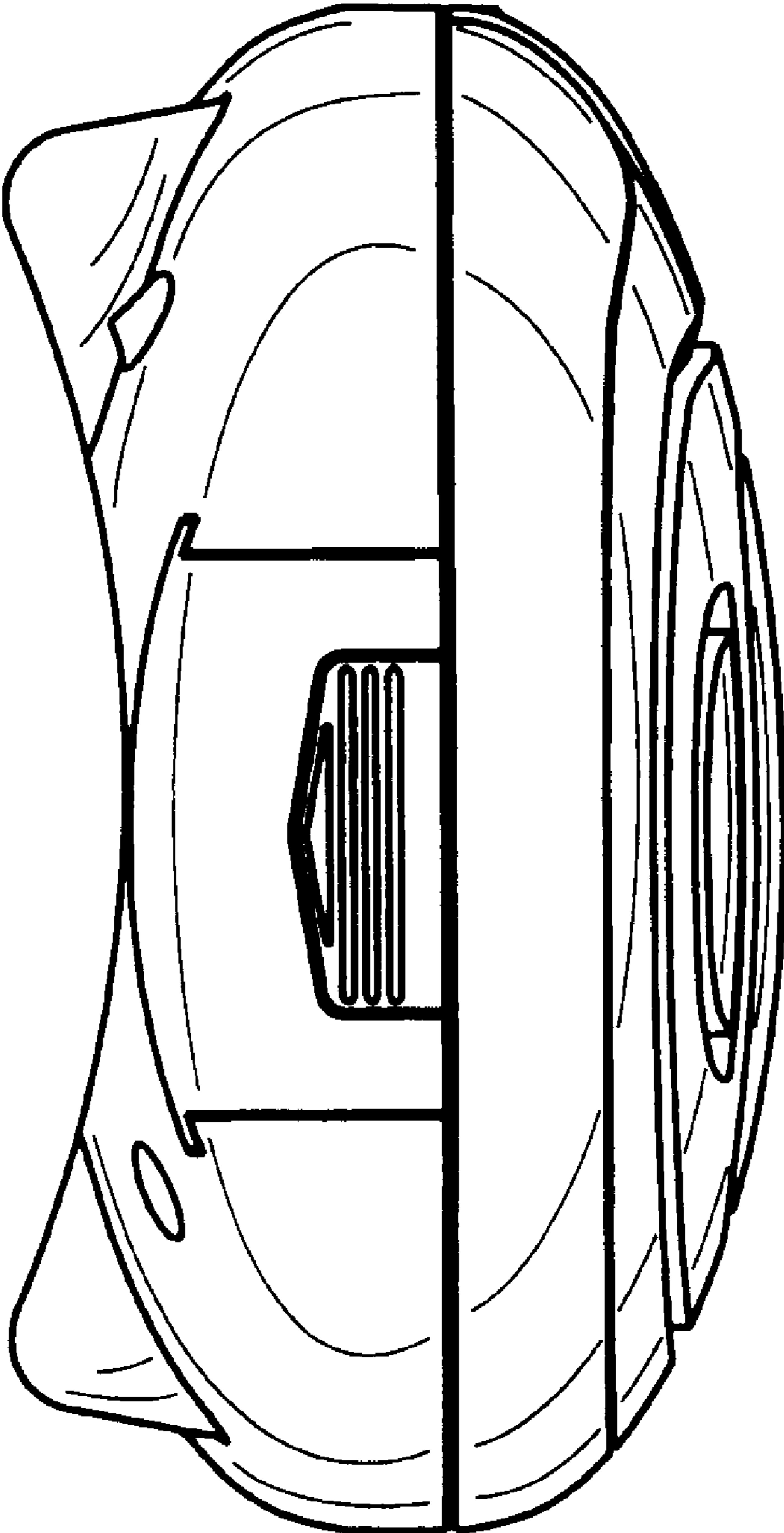


FIG. 4

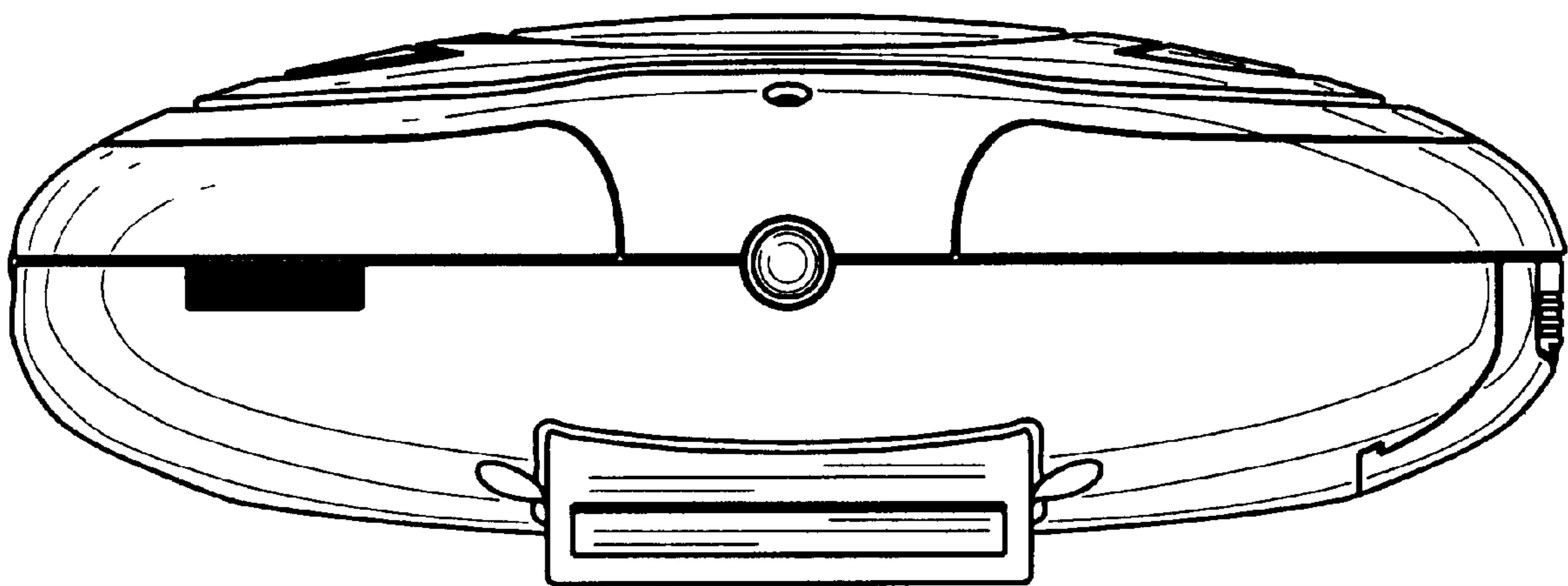


FIG. 5

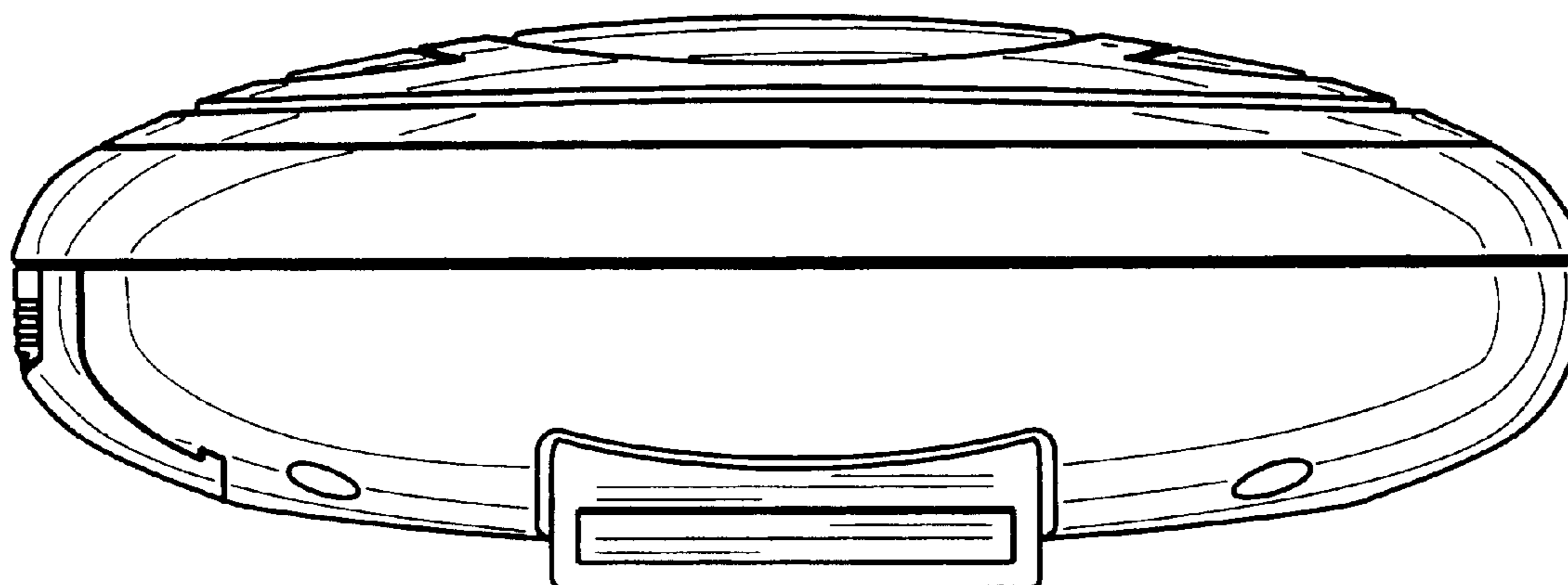


FIG. 6