



US00D519976S

(12) **United States Design Patent**
Lee

(10) **Patent No.:** **US D519,976 S**
(45) **Date of Patent:** **** May 2, 2006**

(54) **COMPACT DISK PLAYER**

D452,963 S * 1/2002 Suzuki D14/168
D465,470 S * 11/2002 Ng D14/171

(75) Inventor: **Johan Lee**, Sunnyside, NY (US)

* cited by examiner

(73) Assignee: **Coby Electronics Corporation**,
Maspeth, NY (US)

Primary Examiner—Nanda Bondade
(74) *Attorney, Agent, or Firm*—Brown Raysman Millstein
Felder & Steiner LLP

(**) Term: **14 Years**

(57) **CLAIM**

(21) Appl. No.: **29/191,858**

The ornamental design for a compact disk player, as shown
and described.

(22) Filed: **Oct. 15, 2003**

Related U.S. Application Data

DESCRIPTION

(62) Division of application No. 29/171,307, filed on Nov. 20,
2002, now Pat. No. Des. 485,251.

A portion of the disclosure of this patent document contains
material which is subject to copyright protection. The copy-
right owner has no objection to the facsimile reproduction
by anyone of the patent document or the patent disclosure,
as it appears in the Patent and Trademark Office patent files
or records, but otherwise reserves all copyright rights what-
soever.

(51) **LOC (8) Cl.** **14-01**

(52) **U.S. Cl.** **D14/156**

(58) **Field of Classification Search** D14/135–136,
D14/156–157, 160–165, 167–168; 369/75.1,
369/75.2, 77.1, 77.2; 455/344, 347–351
See application file for complete search history.

FIG. 1 is a perspective view of the front and one side of a
compact disk player showing my new design;
FIG. 2 is a front elevational view thereof;
FIG. 3 is a rear elevational view thereof;
FIG. 4 is a left side elevational view thereof;
FIG. 5 is a right side elevational view thereof;
FIG. 6 is a top plan view thereof; and,
FIG. 7 is a bottom plan view thereof.

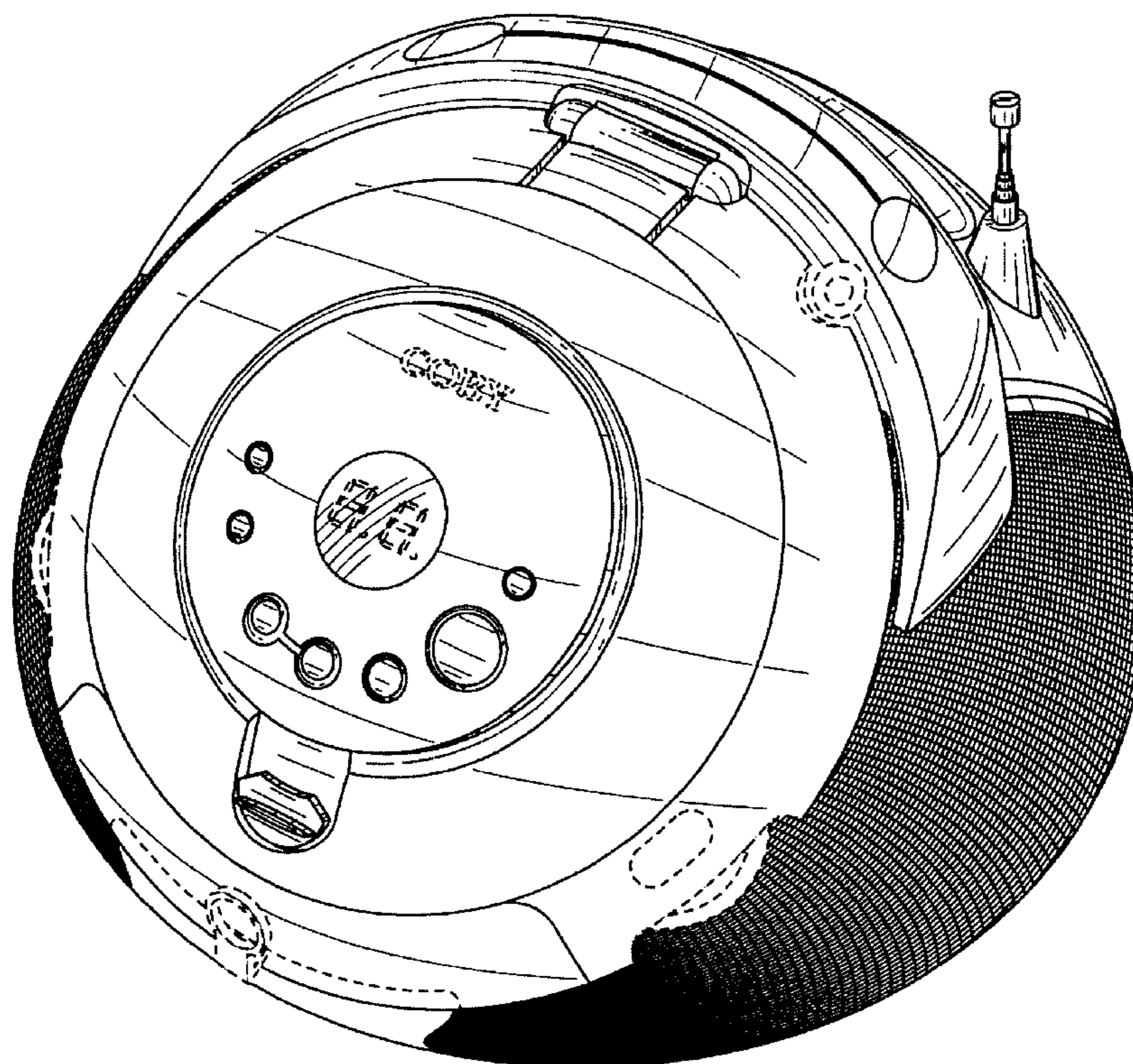
(56) **References Cited**

The broken line showing on FIGS. 1–7 is for illustrative
purposes only and forms no part of the claimed design.

U.S. PATENT DOCUMENTS

D421,989 S * 3/2000 Cheung D14/156
D431,544 S * 10/2000 Kobayashi D14/156
D435,840 S * 1/2001 Ishibashi et al. D14/168

1 Claim, 7 Drawing Sheets



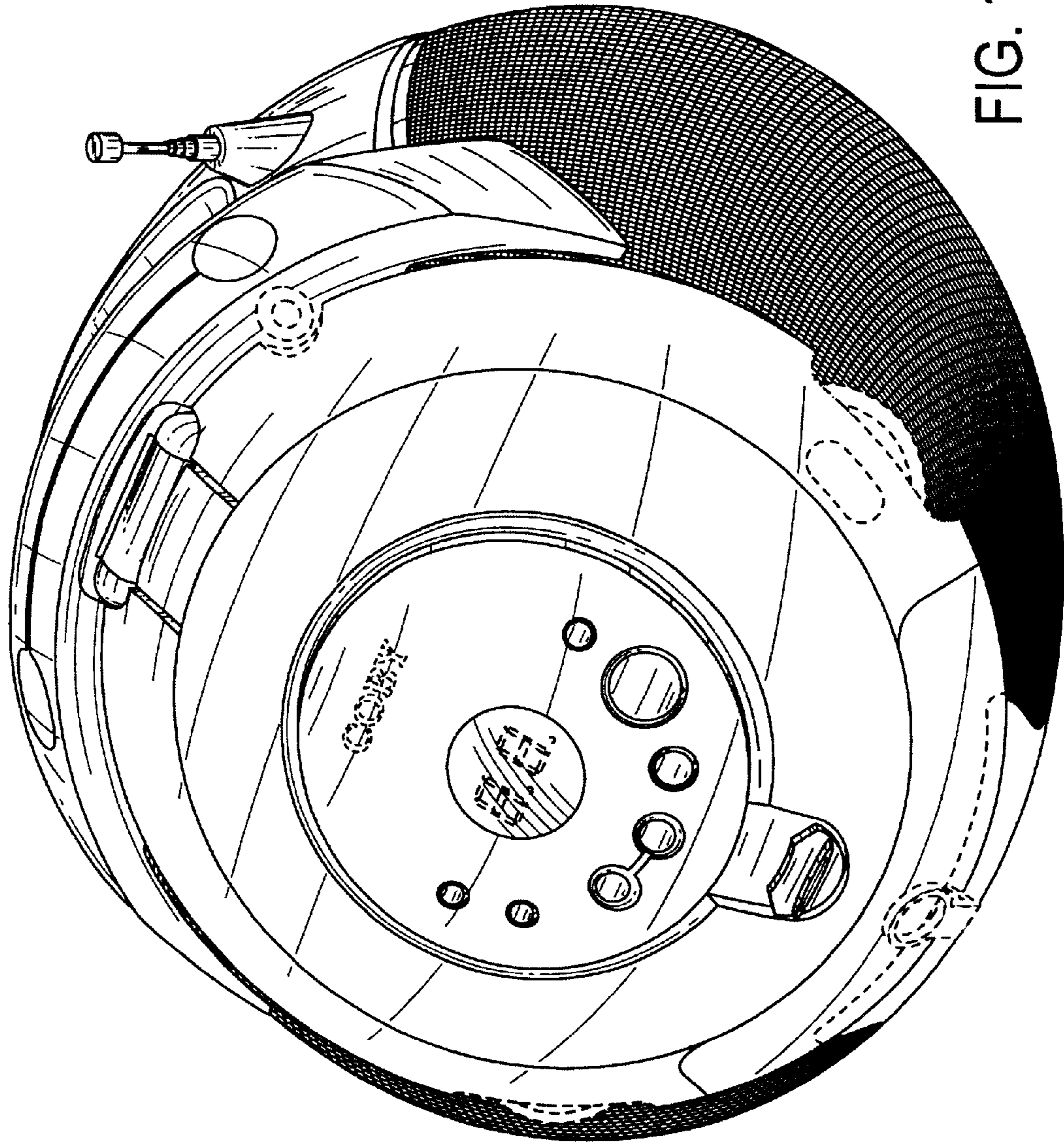


FIG. 1

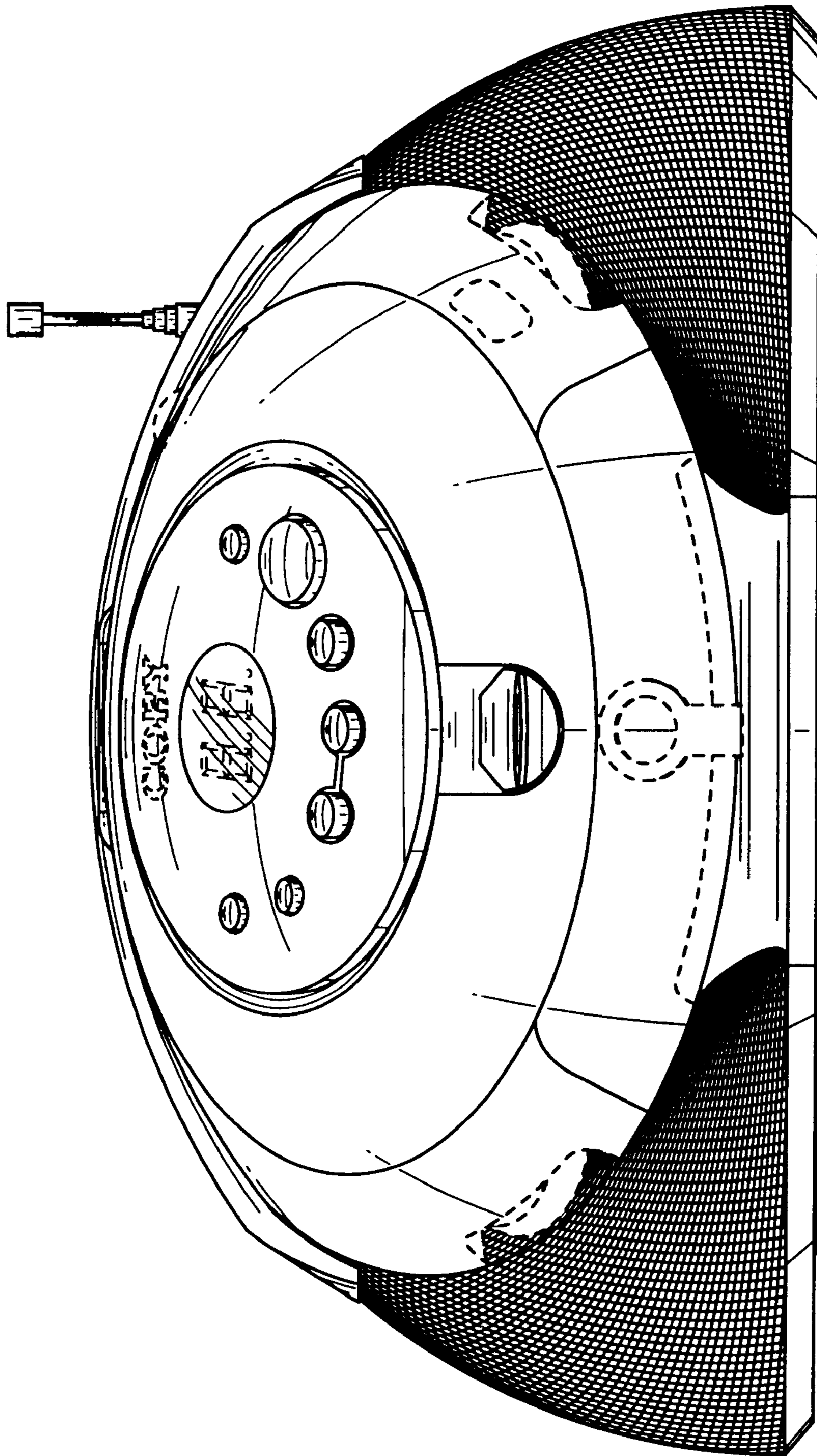


FIG. 2

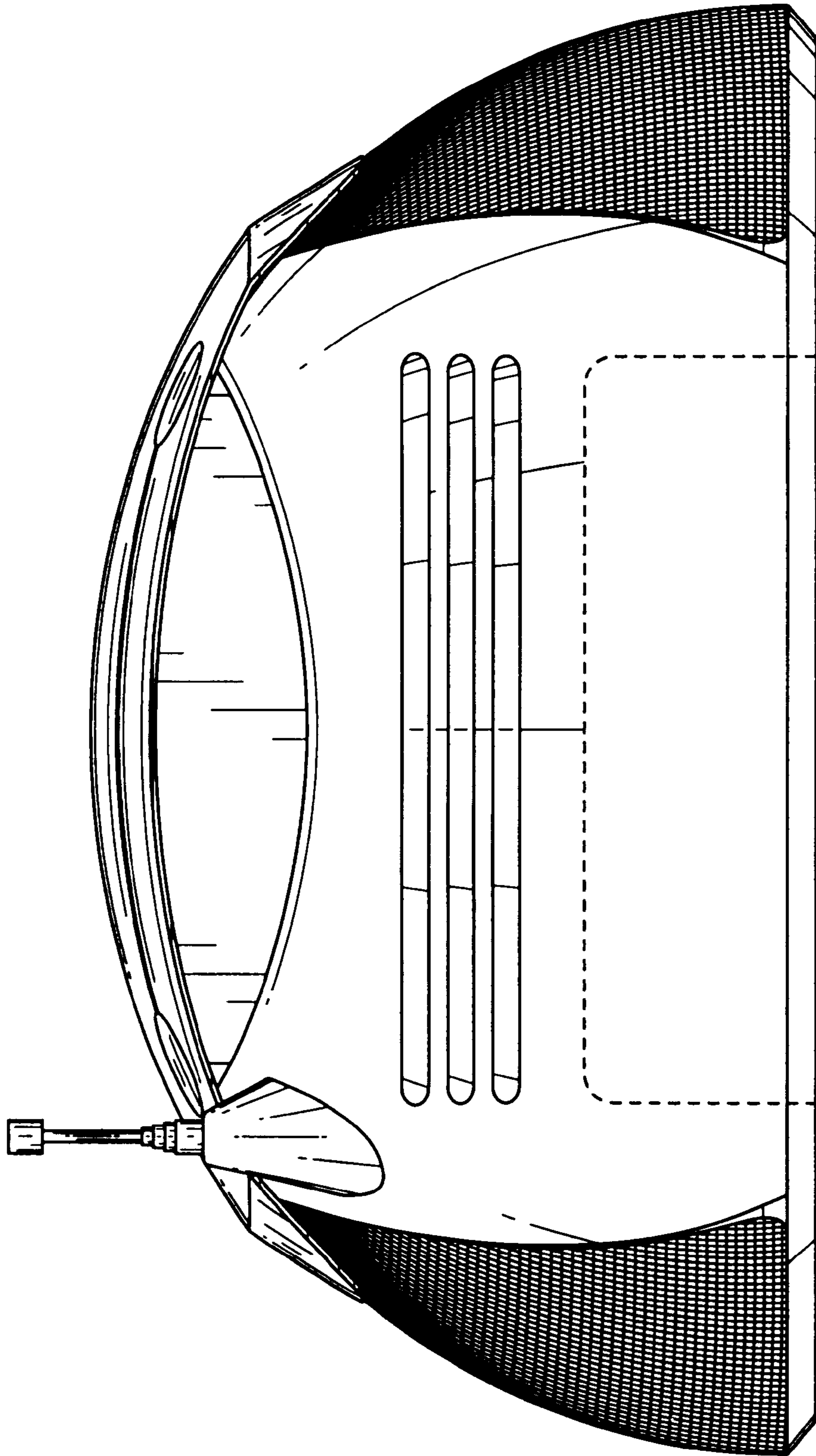


FIG. 3

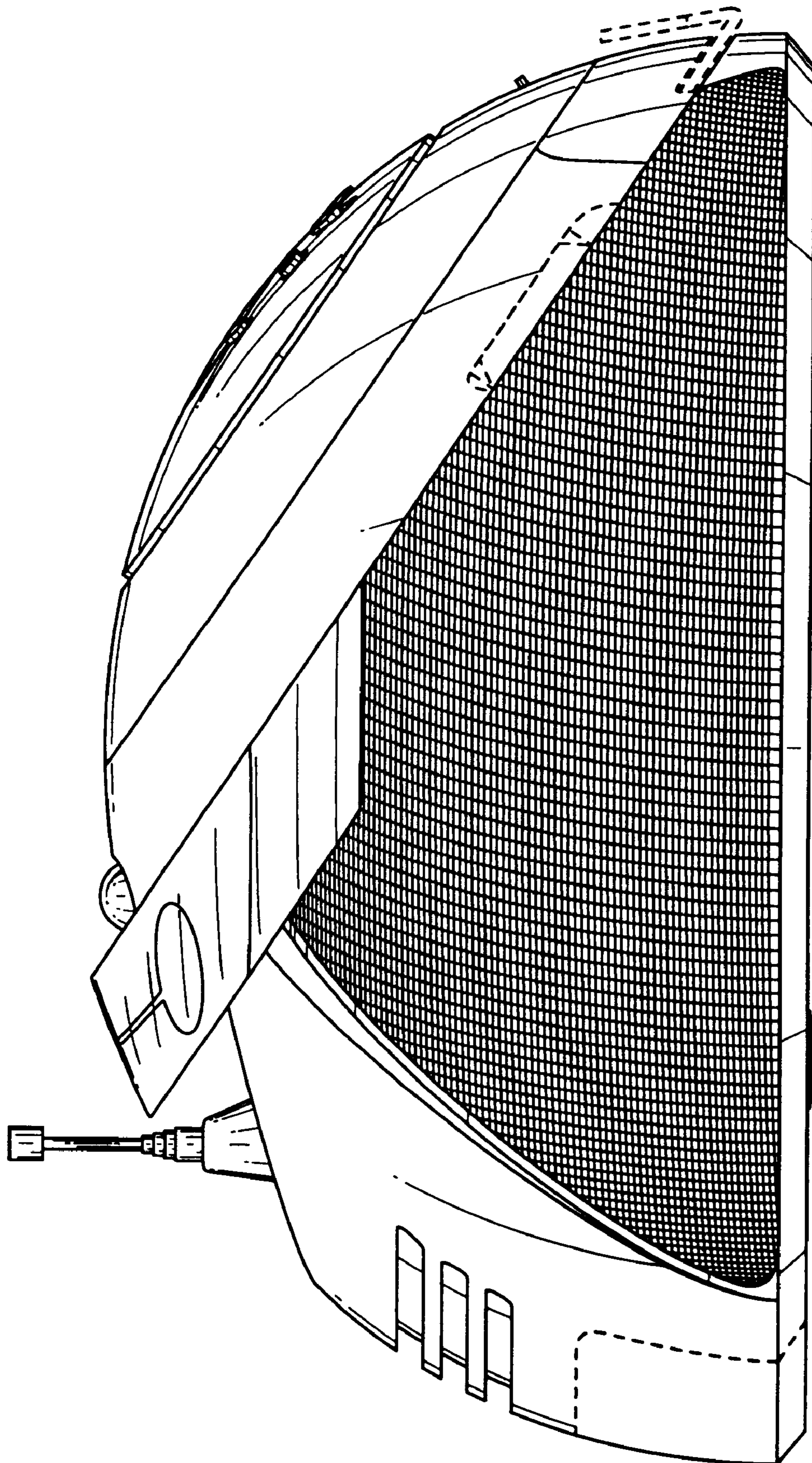


FIG. 4

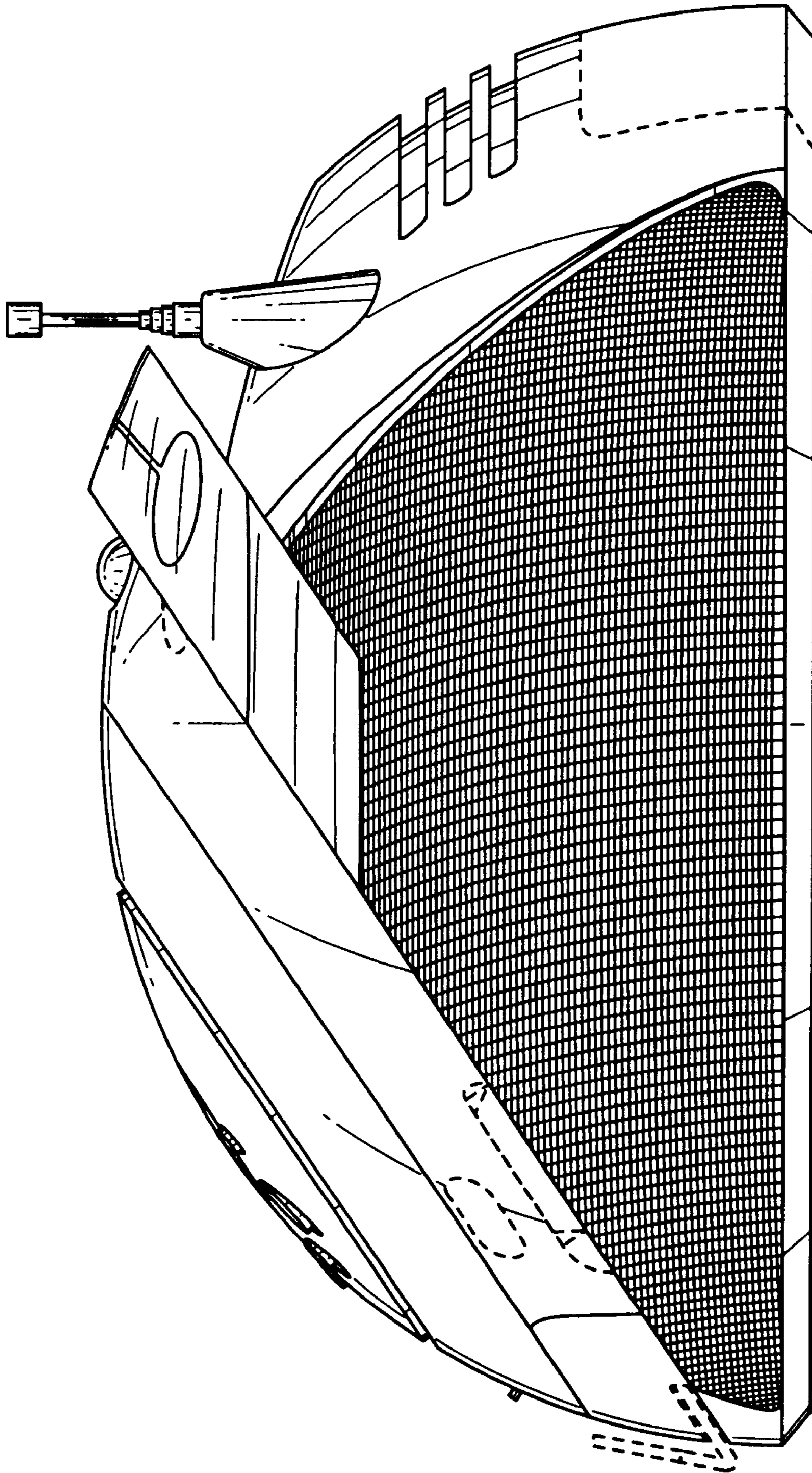


FIG. 5

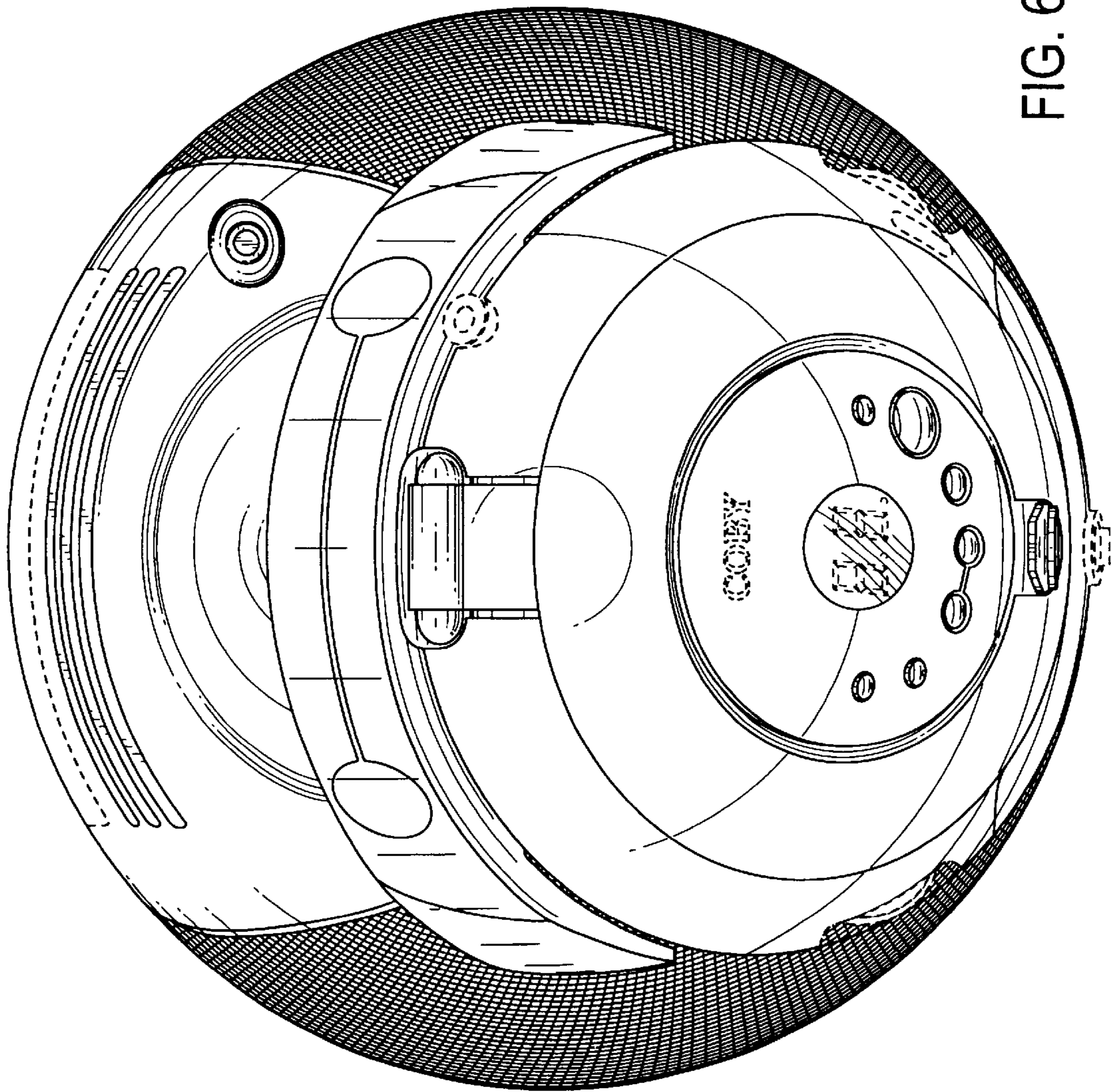


FIG. 6

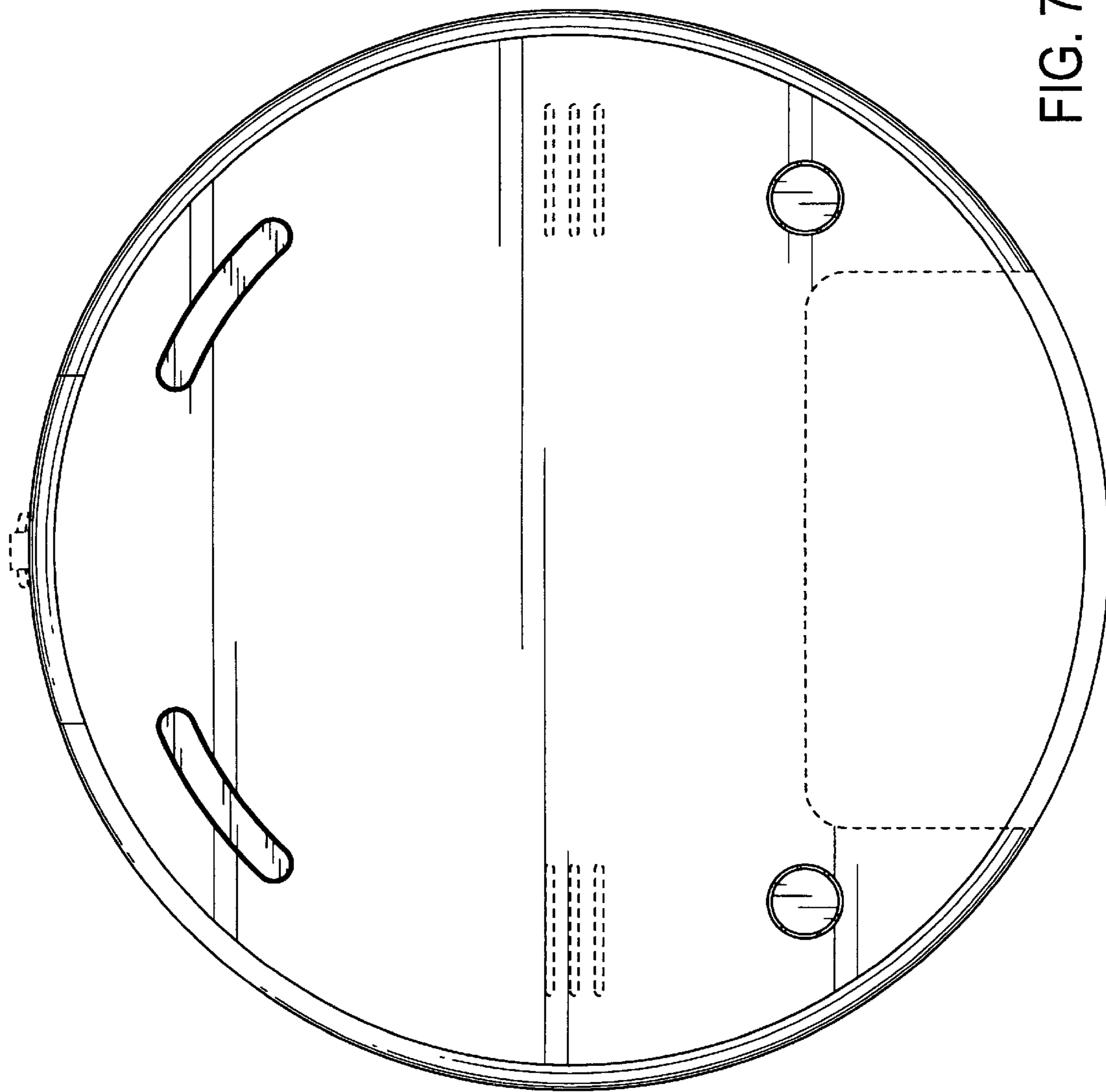


FIG. 7