



US00D519971S

(12) **United States Design Patent** (10) **Patent No.:** **US D519,971 S**
Morita et al. (45) **Date of Patent:** **** May 2, 2006**

(54) **PORTABLE PHONE**

(75) Inventors: **Fumio Morita**, Ota-ku (JP); **Yuji Katayama**, Shibuya-ku (JP); **Taihei Miyaji**, Chuo-ku (JP); **Shinji Watanabe**, Kawasaki (JP)

(73) Assignee: **Kabushiki Kaisha Toshiba** (JP)

(**) Term: **14 Years**

(21) Appl. No.: **29/221,518**

(22) Filed: **Jan. 19, 2005**

(30) **Foreign Application Priority Data**

Aug. 27, 2004 (JP) 2004-025706

(51) **LOC (8) Cl.** **14-03**

(52) **U.S. Cl.** **D14/138**

(58) **Field of Classification Search** D14/137,
D14/138, 147-148, 247-248, 144, 341-347;
379/433.01-433.13, 434; D21/517; 455/575.3,
455/566, 575.1; 345/169

See application file for complete search history.

(56) **References Cited**

U.S. PATENT DOCUMENTS

D485,249 S	*	1/2004	Liao et al.	D14/138
6,731,959 B1	*	5/2004	Kumagai et al.	455/575.3
D490,792 S	*	6/2004	Lee	D14/138
D491,547 S	*	6/2004	Cho	D14/138
D491,907 S	*	6/2004	Ogawa	D14/138
D493,440 S	*	7/2004	Chou et al.	D14/138
D496,021 S	*	9/2004	Jang	D14/138
D498,468 S	*	11/2004	Seo	D14/138
D501,838 S	*	2/2005	Kim et al.	D14/138
D502,161 S	*	2/2005	Kim et al.	D14/138
D502,458 S	*	3/2005	Chung et al.	D14/138
D506,454 S	*	6/2005	Kim et al.	D14/138
D507,554 S	*	7/2005	Kim	D14/138
D507,556 S	*	7/2005	Watanabe et al.	D14/138
D508,034 S	*	8/2005	Liao	D14/138
D508,036 S	*	8/2005	Wada	D14/138
D508,475 S	*	8/2005	Wu et al.	D14/138
D508,903 S	*	8/2005	Kim et al.	D14/138
D510,078 S	*	9/2005	Lee et al.	D14/138
D510,079 S	*	9/2005	Kim et al.	D14/138

2002/0051060 A1	*	5/2002	Wada	348/207
2003/0064758 A1	*	4/2003	Mizuta et al.	455/566
2004/0132482 A1	*	7/2004	Kang et al.	455/550.1
2004/0192422 A1	*	9/2004	Watanabe et al.	455/575.3
2004/0198474 A1	*	10/2004	Jung et al.	455/575.1
2004/0203535 A1	*	10/2004	Kim et al.	455/90.3
2004/0224730 A1	*	11/2004	Sakai et al.	455/575.3
2004/0253995 A1	*	12/2004	Matsumoto et al.	455/569.1
2005/0113156 A1	*	5/2005	Park et al.	455/575.4
2005/0130718 A1	*	6/2005	Woo	455/575.3
2005/0140778 A1	*	6/2005	Kim et al.	348/14.02
2005/0186985 A1	*	8/2005	Im et al.	455/550.1

FOREIGN PATENT DOCUMENTS

JP	1143093	*	6/2002
JP	1159728	*	12/2002
JP	D1174585		6/2003
JP	D1196069		2/2004
JP	D1198720		3/2004
JP	D1198721		3/2004

* cited by examiner

Primary Examiner—Jeffrey Asch

(57) **CLAIM**

The ornamental design for a portable phone, as shown and described.

DESCRIPTION

FIG. 1 is an enlarged top, front and right side perspective view of a portable phone showing my new design, FIG. 2 is a front elevational view thereof, FIG. 3 is a rear elevational view thereof, FIG. 4 is a left side elevational view thereof, FIG. 5 is a right side elevational view thereof, FIG. 6 is a top plan view thereof, FIG. 7 is a bottom plan view thereof, FIG. 8 is a front elevational view showing the article in a closed position thereof, FIG. 9 is a right side elevational view showing the article in the closed position thereof, FIG. 10 is a top plan view showing the article in the closed position thereof; and, FIG. 11 is an enlarged perspective view showing the article in the closed position thereof.

1 Claim, 6 Drawing Sheets

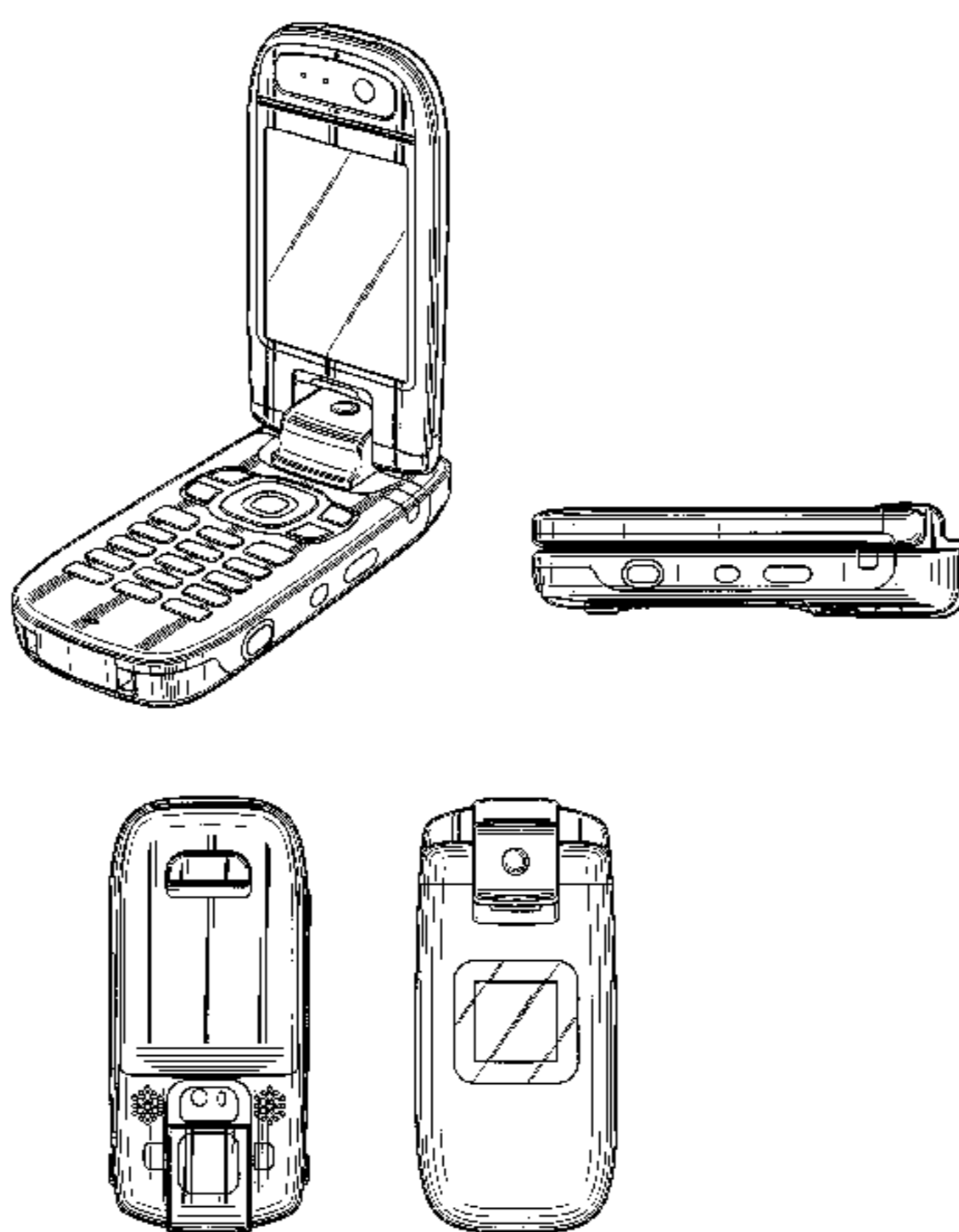


FIG. 1

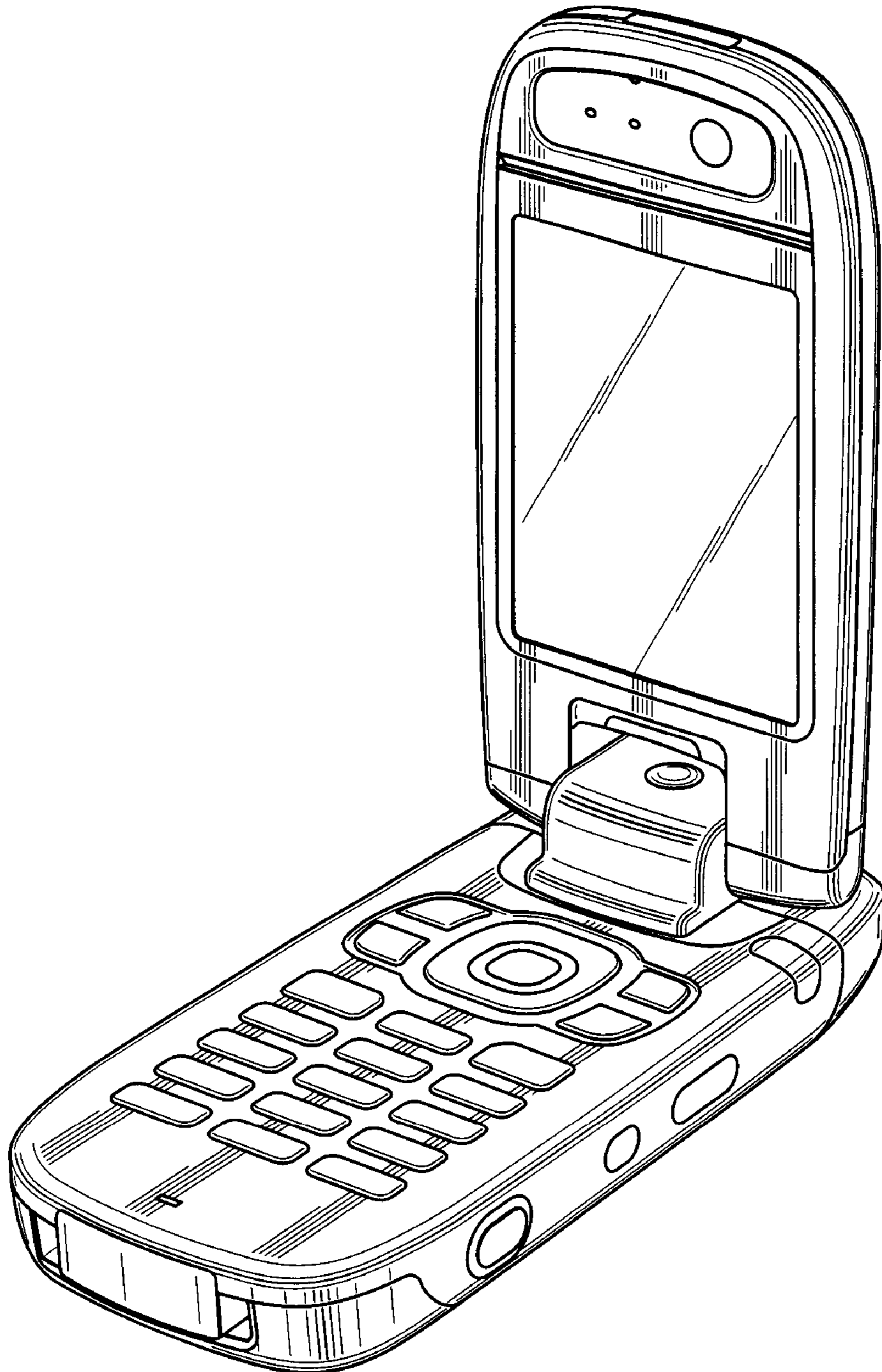


FIG. 2

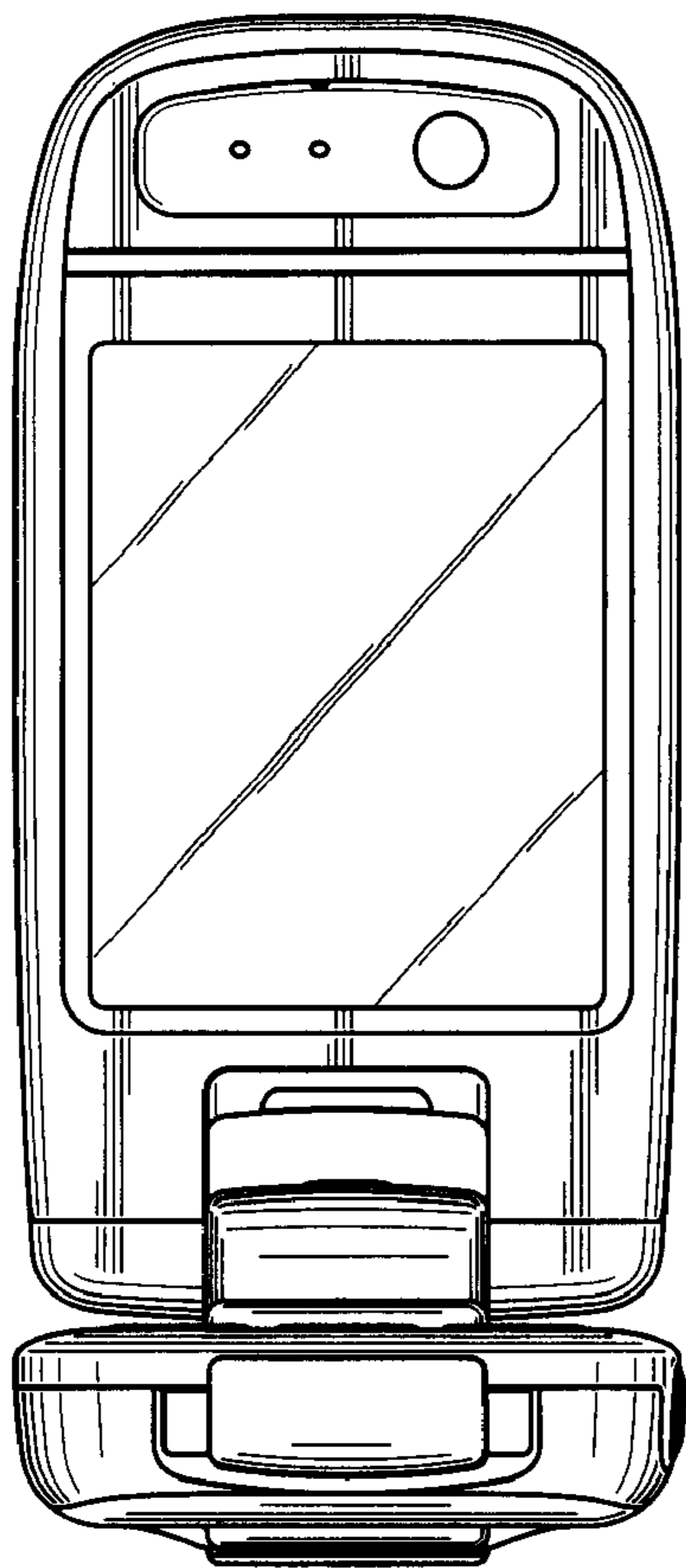


FIG. 3

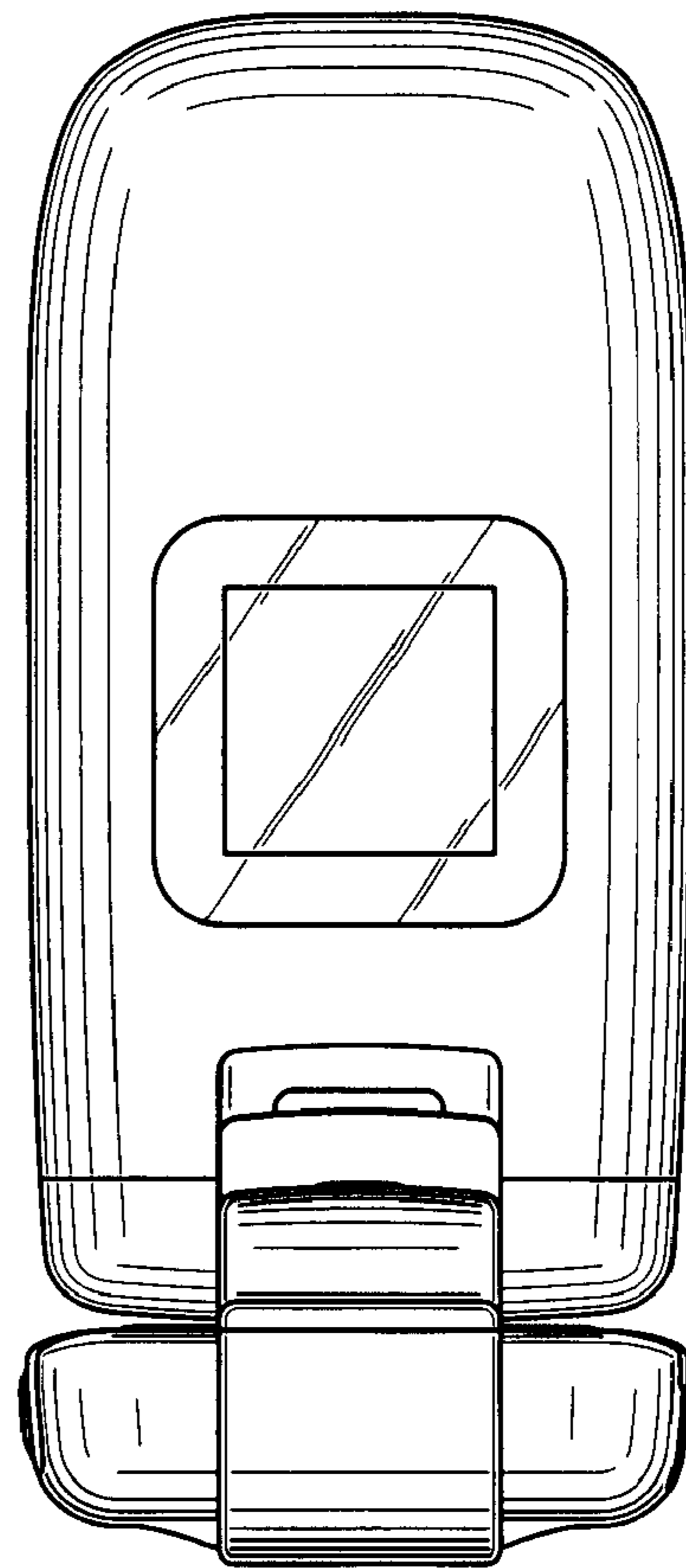


FIG. 4

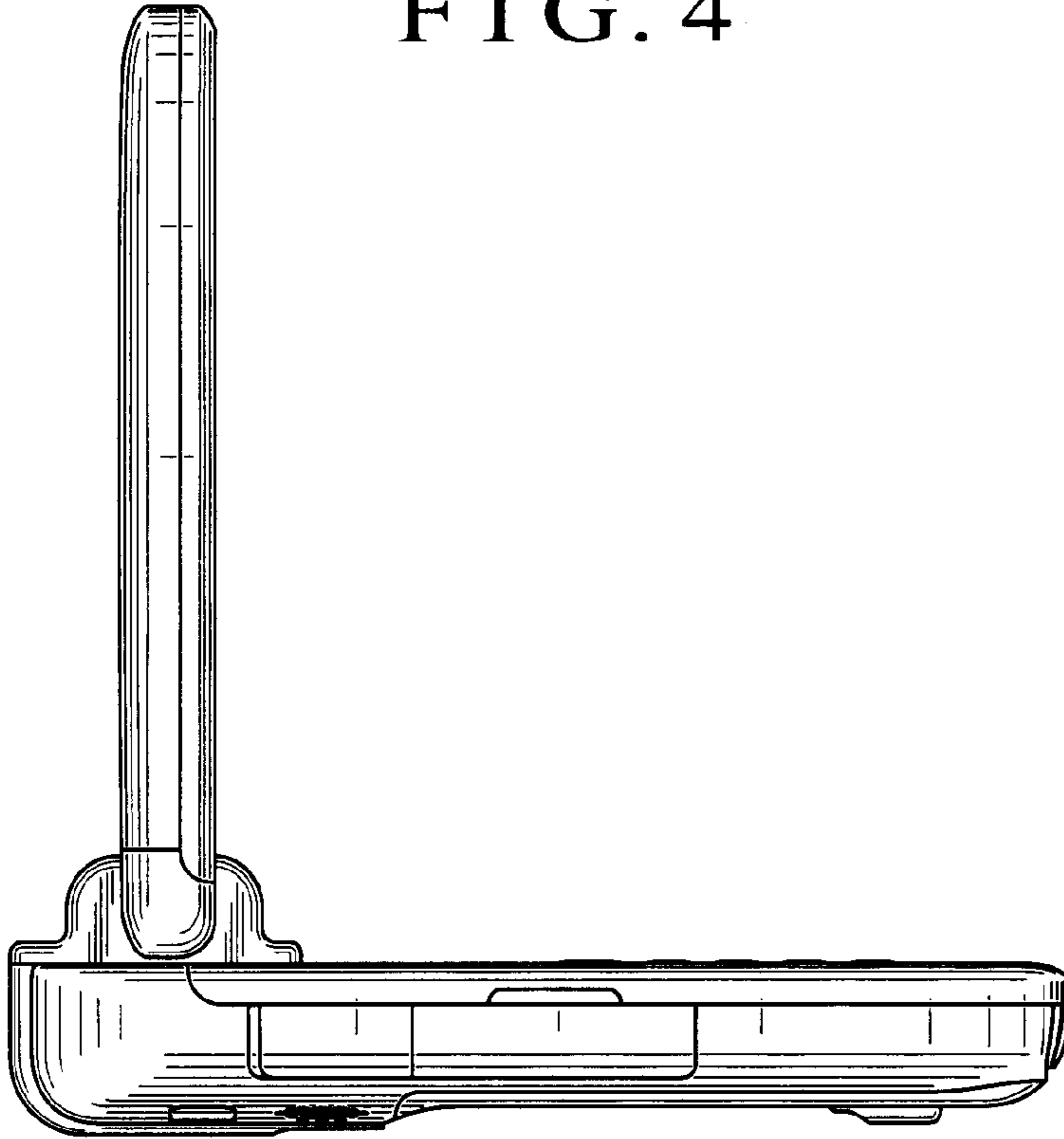


FIG. 5

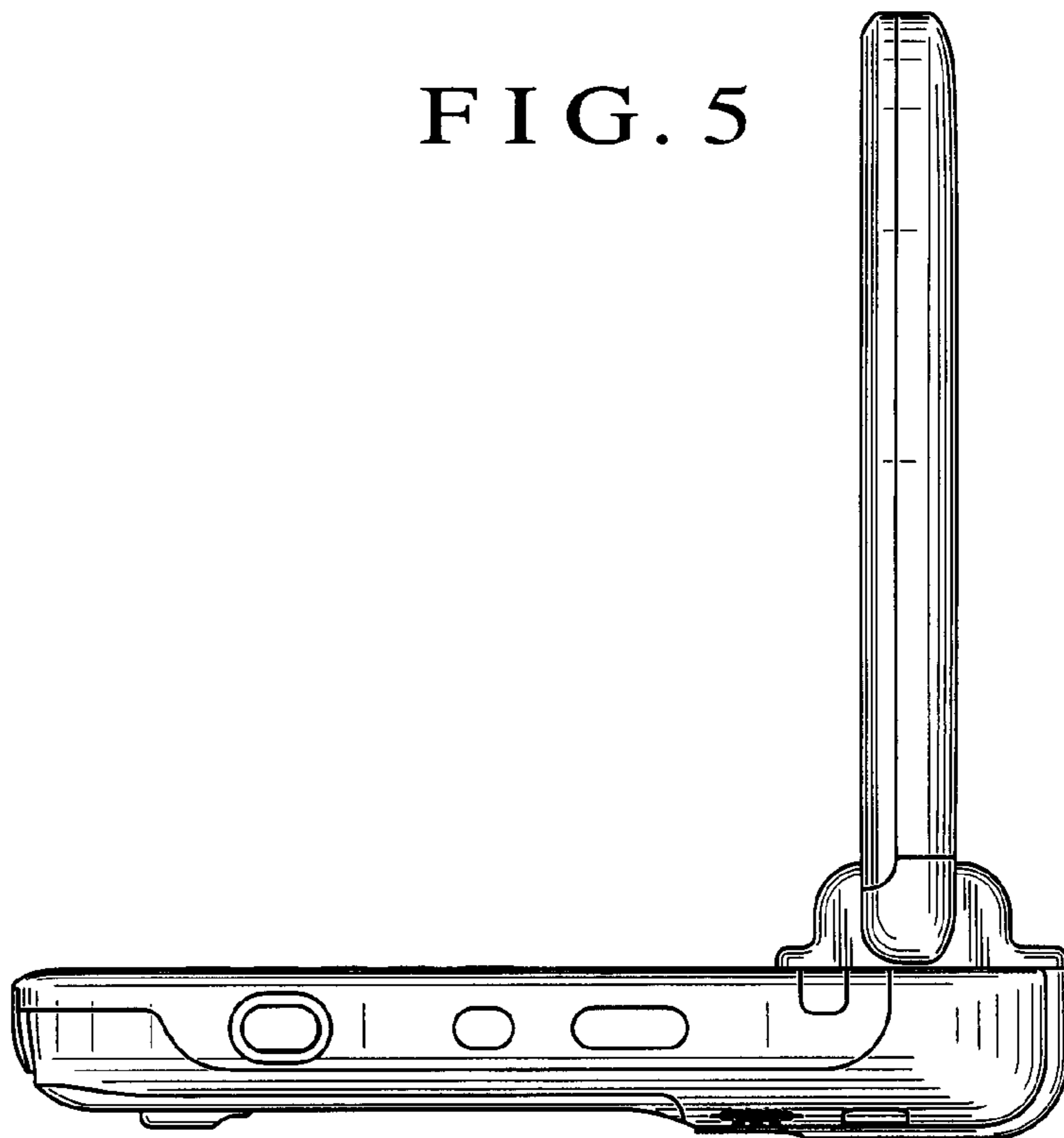


FIG. 6

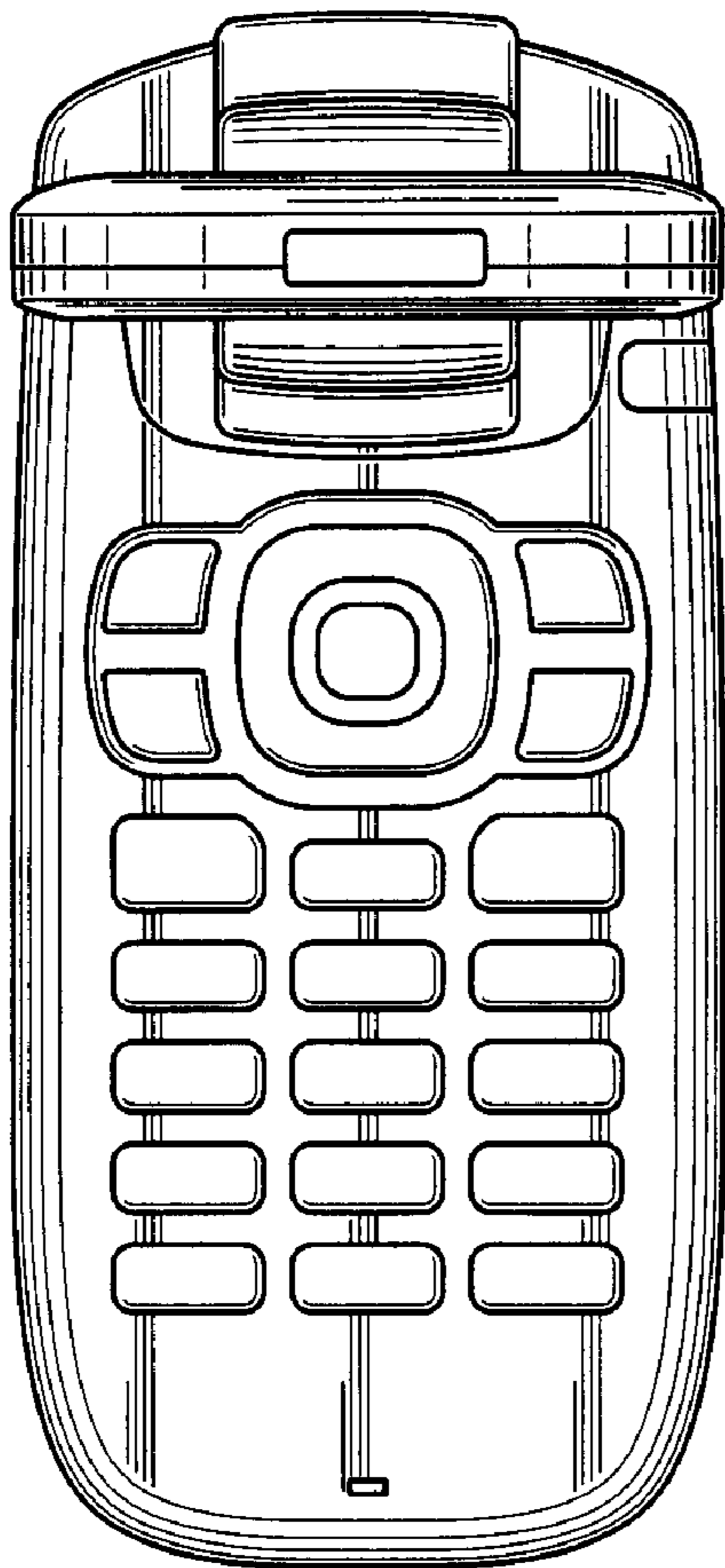


FIG. 7

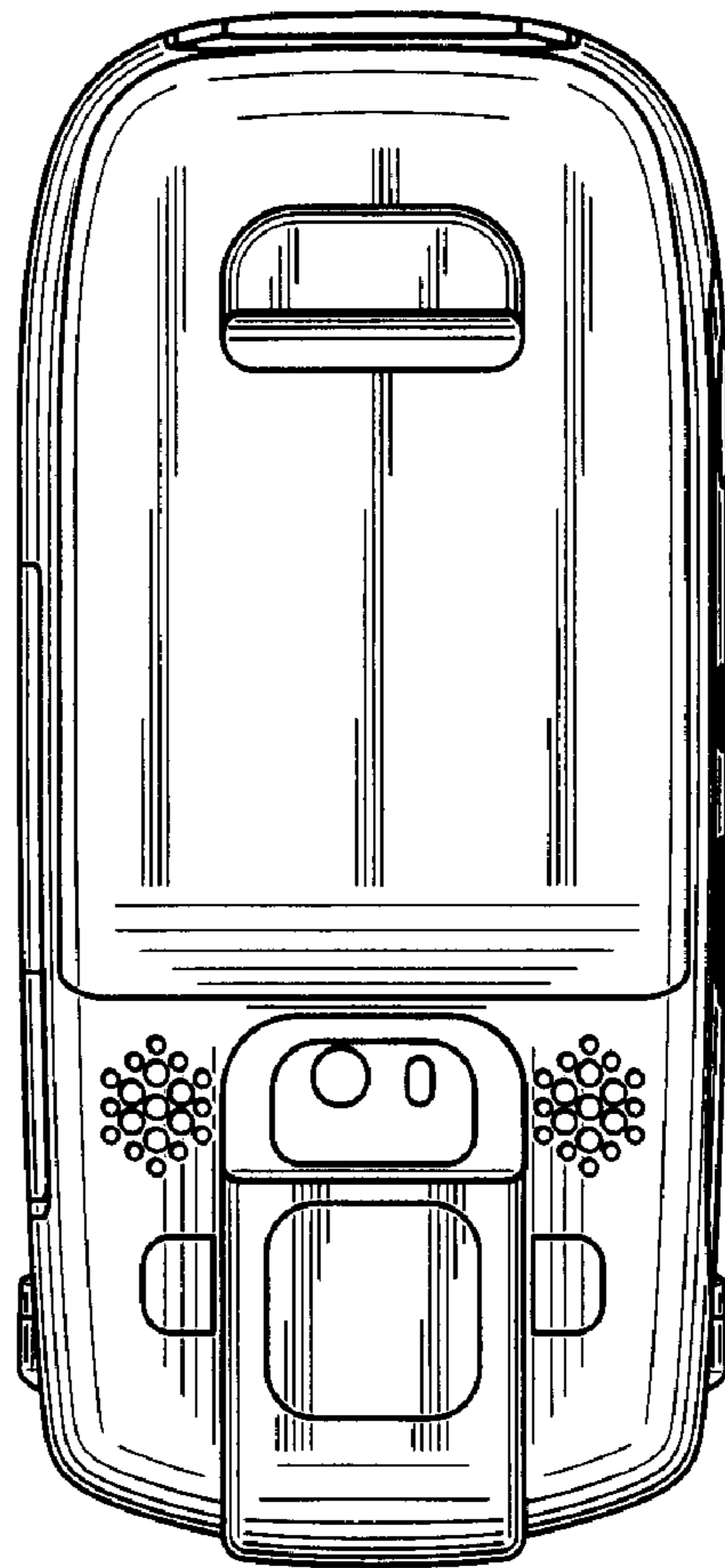


FIG. 8

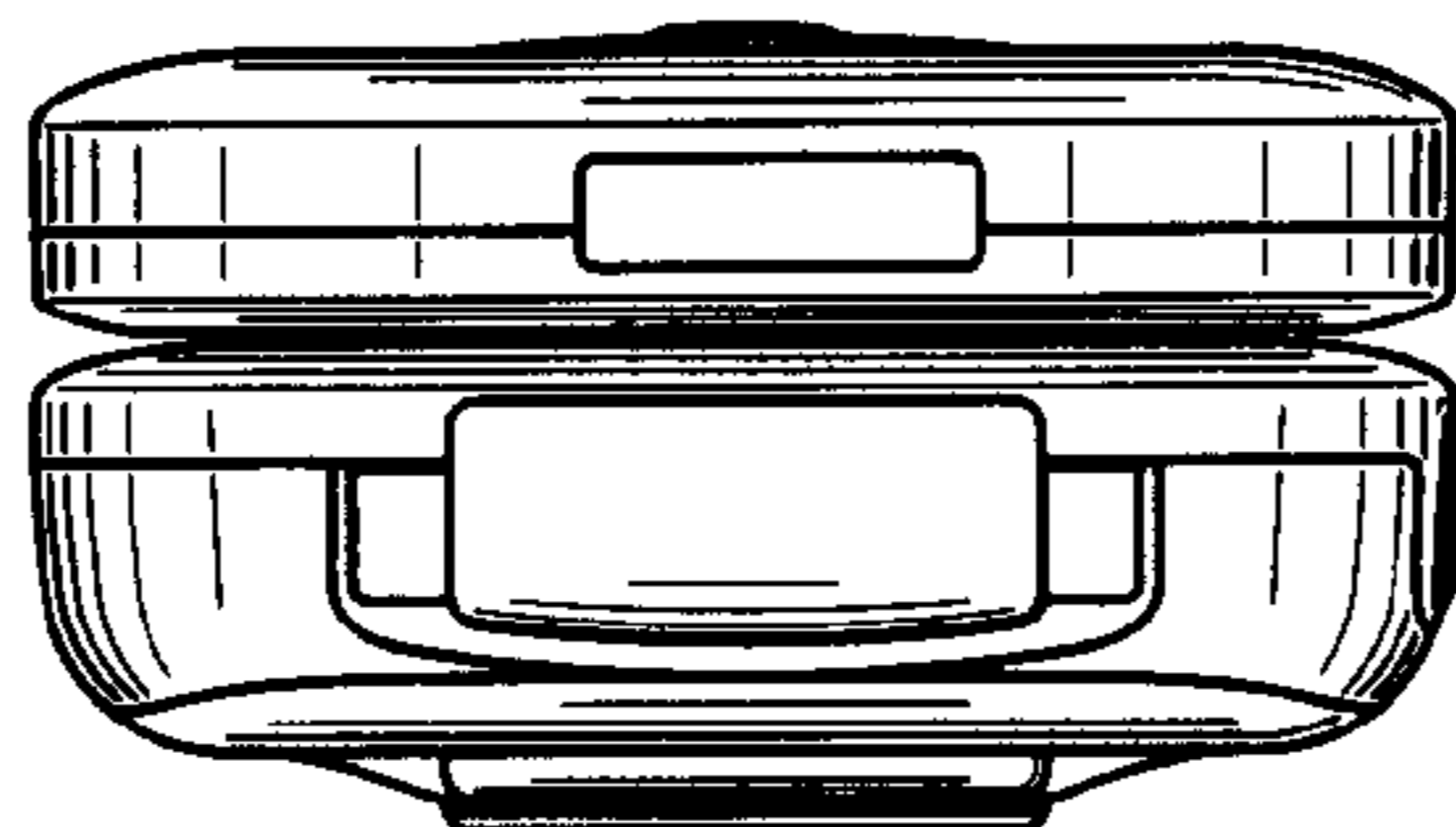


FIG. 9

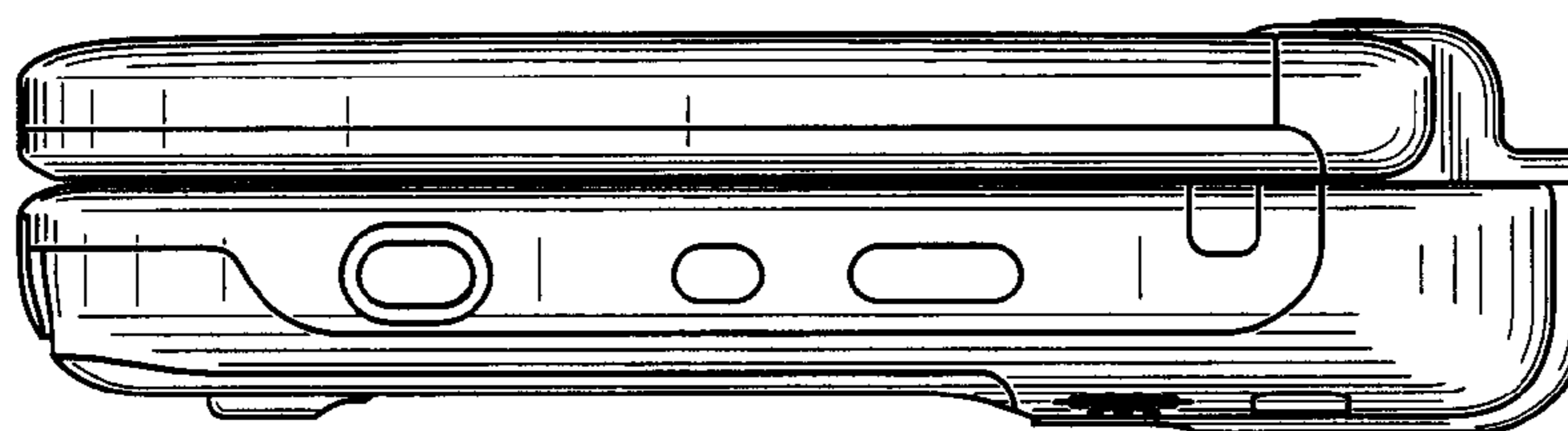


FIG. 10

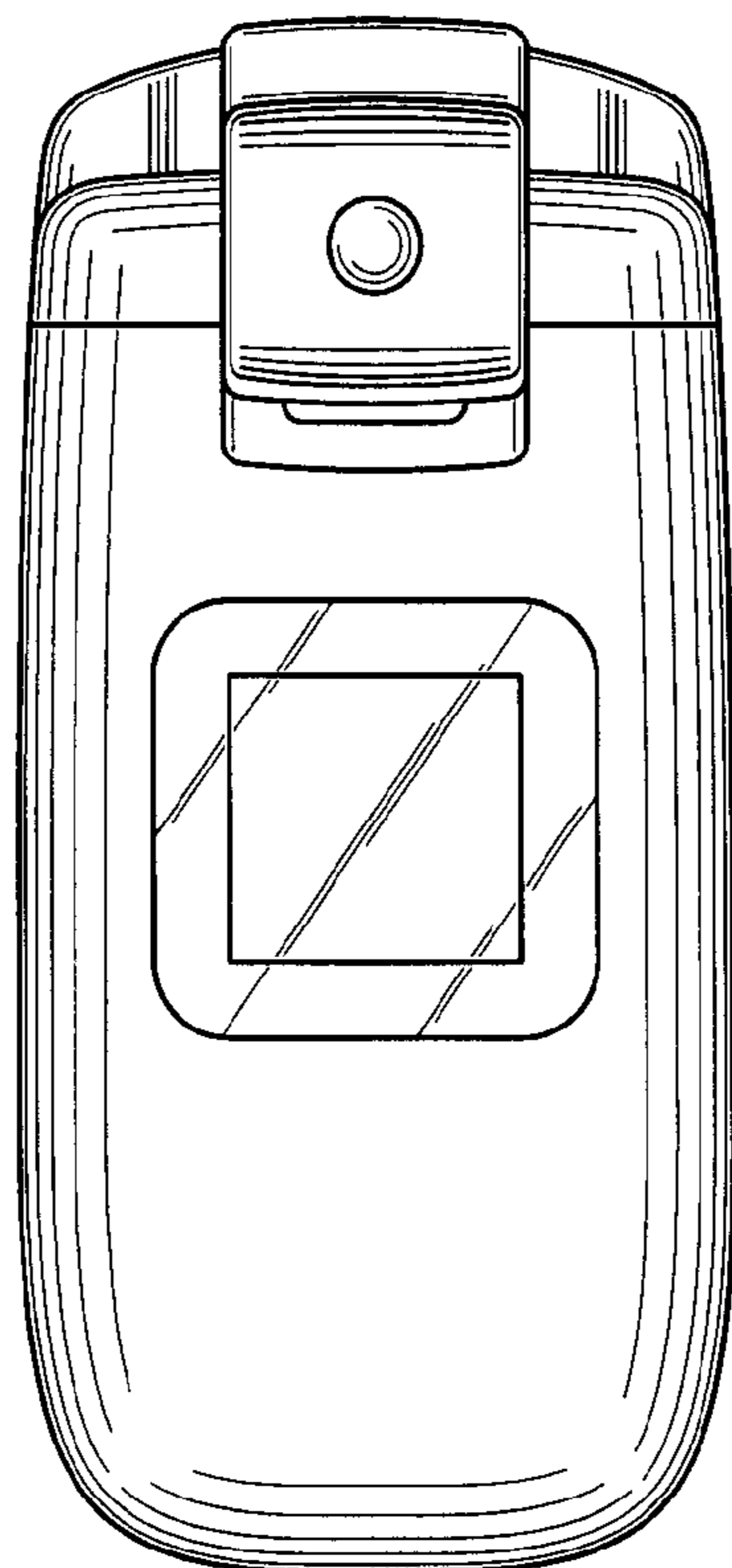


FIG. 11

