



US00D519966S

(12) **United States Design Patent** (10) **Patent No.:** **US D519,966 S**
Salmi et al. (45) **Date of Patent:** **** May 2, 2006**

(54) **HANDSET**

D507,562 S * 7/2005 Kim D14/247

(75) Inventors: **Pertti Salmi**, Oulu (FI); **Sami Viitasaari**, Ii (FI); **Hanna Vuolteenaho**, Oulu (FI)

(Continued)

(73) Assignee: **Nokia Corporation**, Espoo (FI)

FOREIGN PATENT DOCUMENTS

(**) Term: **14 Years**

(21) Appl. No.: **29/218,972**

EM	000169750-0001	7/2004
EM	000169750-0002	7/2004
EM	000169750-0003	7/2004
EM	000169750-0004	7/2004
EM	000223516-0001	11/2004
EM	000223516-0002	11/2004
EM	000223516-0003	11/2004
FI	23818	5/2005
JP	1188710	* 10/2003
WO	DM/058624	* 12/2001
WO	DM/063714	7/2003
WO	DM/064218	10/2003
WO	DM/065421	7/2004
WO	DM/066167	* 12/2004
WO	DM/066629	* 5/2005
WO	DM/066630	* 5/2005

(22) Filed: **Dec. 10, 2004**

(30) **Foreign Application Priority Data**

Jun. 11, 2004 (FI) M20040101

(51) **LOC (8) Cl.** **14-03**

(52) **U.S. Cl.** **D14/138**

(58) **Field of Classification Search** D14/137, D14/138, 147-148, 247-248, 144, 341-347; 379/433.01-433.13, 434; D21/517; 455/575.3, 455/566, 575.1; 345/169; 348/376, 14.02
See application file for complete search history.

Primary Examiner—Jeffrey Asch
(74) *Attorney, Agent, or Firm*—Banner & Witcoff, Ltd.

(57) **CLAIM**

The ornamental design for a handset, as shown and described.

(56) **References Cited**

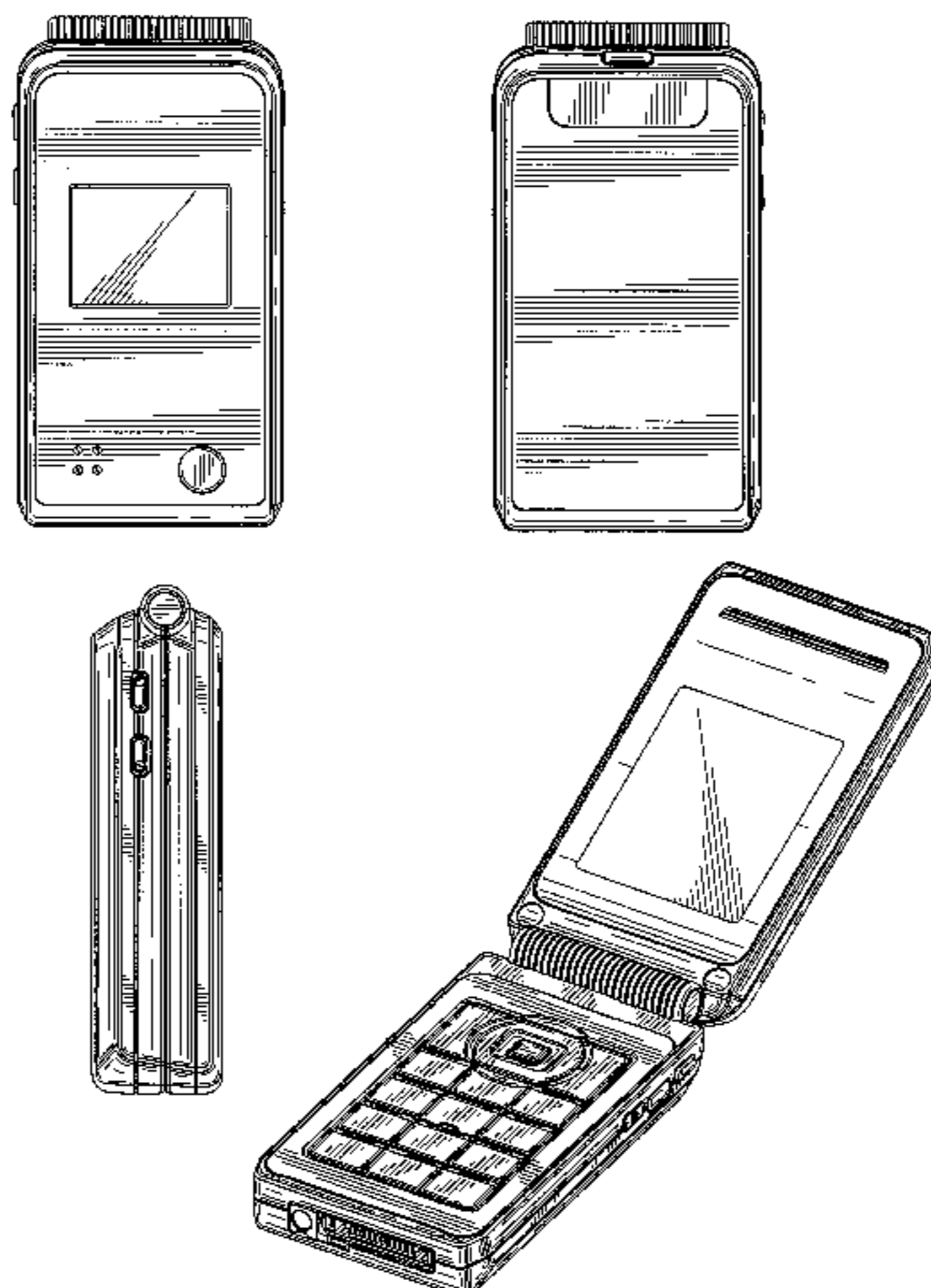
U.S. PATENT DOCUMENTS

5,436,954	A	*	7/1995	Nishiyama et al.	455/566
5,493,690	A	*	2/1996	Shimazaki	455/575.3
D430,566	S	*	9/2000	Chu et al.	D14/345
6,389,267	B1	*	5/2002	Imai	455/90.1
D459,326	S	*	6/2002	Nagai et al.	D14/138
D476,303	S	*	6/2003	Lee et al.	D14/138
D477,293	S	*	7/2003	Hwang	D14/138
D484,863	S	*	1/2004	Chan	D14/138
D485,249	S	*	1/2004	Liao et al.	D14/138
D486,809	S	*	2/2004	Hwang	D14/138
6,701,162	B1	*	3/2004	Everett	455/556.1
D490,793	S	*	6/2004	Tsai et al.	D14/138
D495,672	S	*	9/2004	Jeon et al.	D14/138
D500,480	S	*	1/2005	Daw	D14/138
D503,697	S	*	4/2005	Kim	D14/138
D504,406	S	*	4/2005	Cho et al.	D14/138
D506,737	S	*	6/2005	Koo et al.	D14/138
D507,251	S	*	7/2005	Burns et al.	D14/138
D507,551	S	*	7/2005	Kim et al.	D14/138

DESCRIPTION

FIG. 1 is a bottom plan view of a handset showing our new design;
FIG. 2 is a right side view thereof;
FIG. 3 is a front view thereof;
FIG. 4 is a left side view thereof;
FIG. 5 is a top plan view thereof;
FIG. 6 is a rear view thereof;
FIG. 7 is a perspective front view thereof;
FIG. 8 is a perspective rear view thereof;
FIG. 9 is a right side view in open position;
FIG. 10 is a front view in open position;
FIG. 11 is a left side view in open position;
FIG. 12 is a perspective front view in open position; and,
FIG. 13 is a perspective rear view in open position.

1 Claim, 8 Drawing Sheets



US D519,966 S

Page 2

U.S. PATENT DOCUMENTS

D508,035 S *	8/2005	Kim et al.	D14/138	2004/0142718 A1 *	7/2004	Kim	455/550.1
D508,475 S *	8/2005	Wu et al.	D14/138	2004/0142721 A1 *	7/2004	Kim	455/550.1
D509,816 S *	9/2005	Kim et al.	D14/138	2004/0203535 A1 *	10/2004	Kim et al.	455/90.3
2003/0092401 A1 *	5/2003	Ikeuchi	455/90	2005/0003852 A1 *	1/2005	Song	455/550.1
2003/0125079 A1 *	7/2003	Park et al.	455/556	2005/0130718 A1 *	6/2005	Woo	455/575.3
2004/0120514 A1 *	6/2004	Kitada	379/428.01					

* cited by examiner

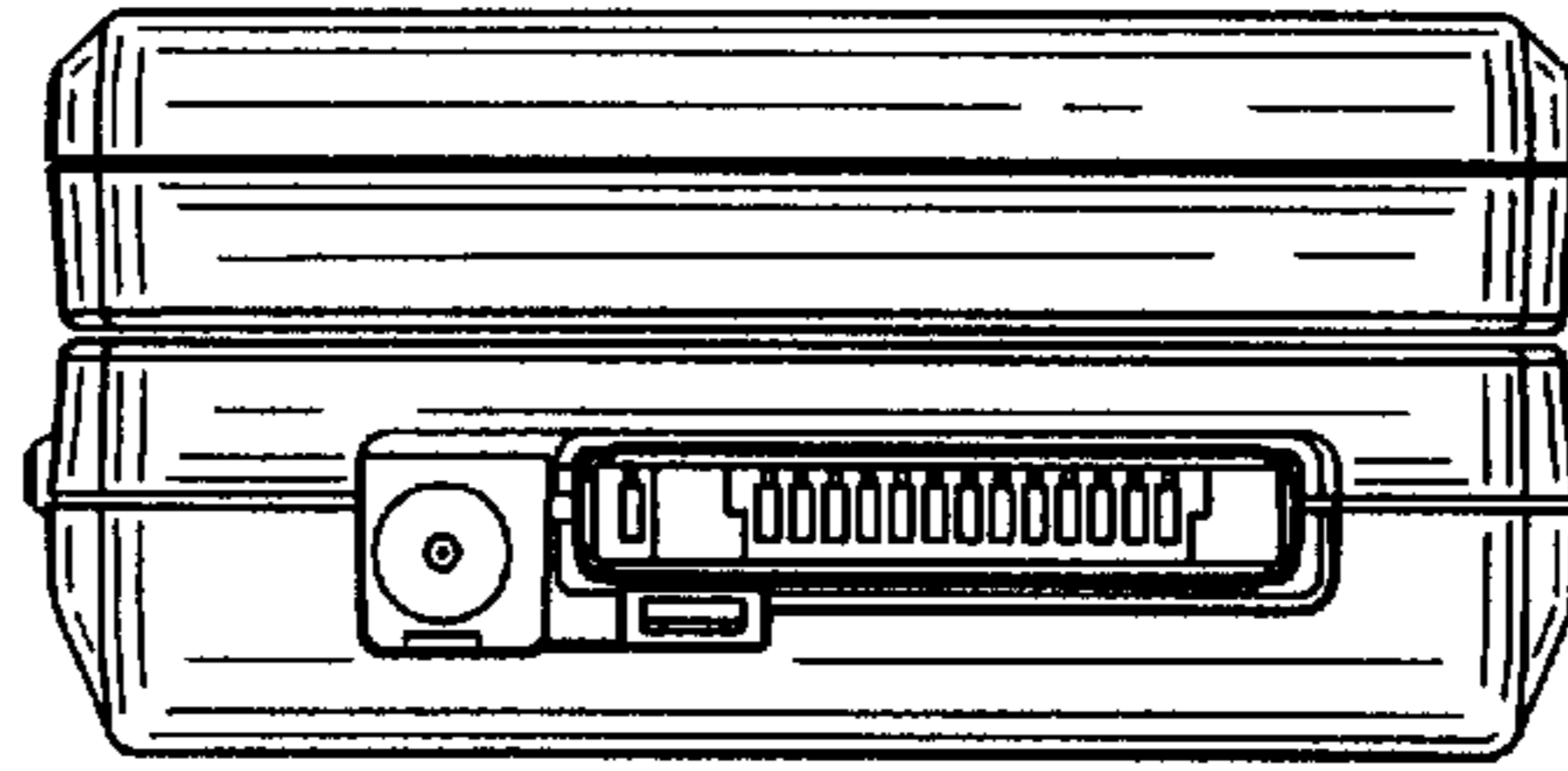


FIG. 1

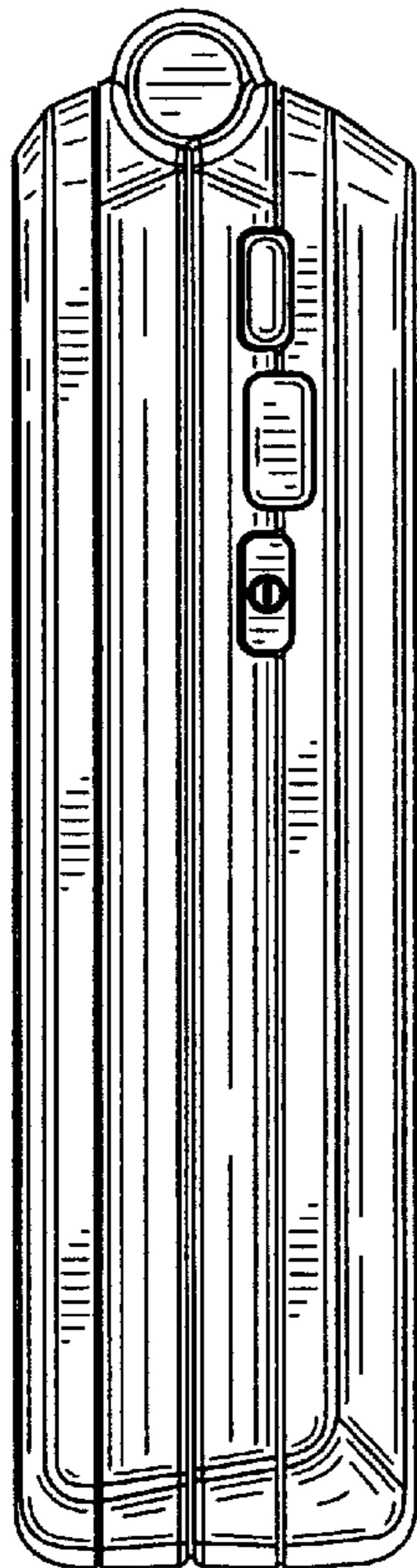


FIG. 2

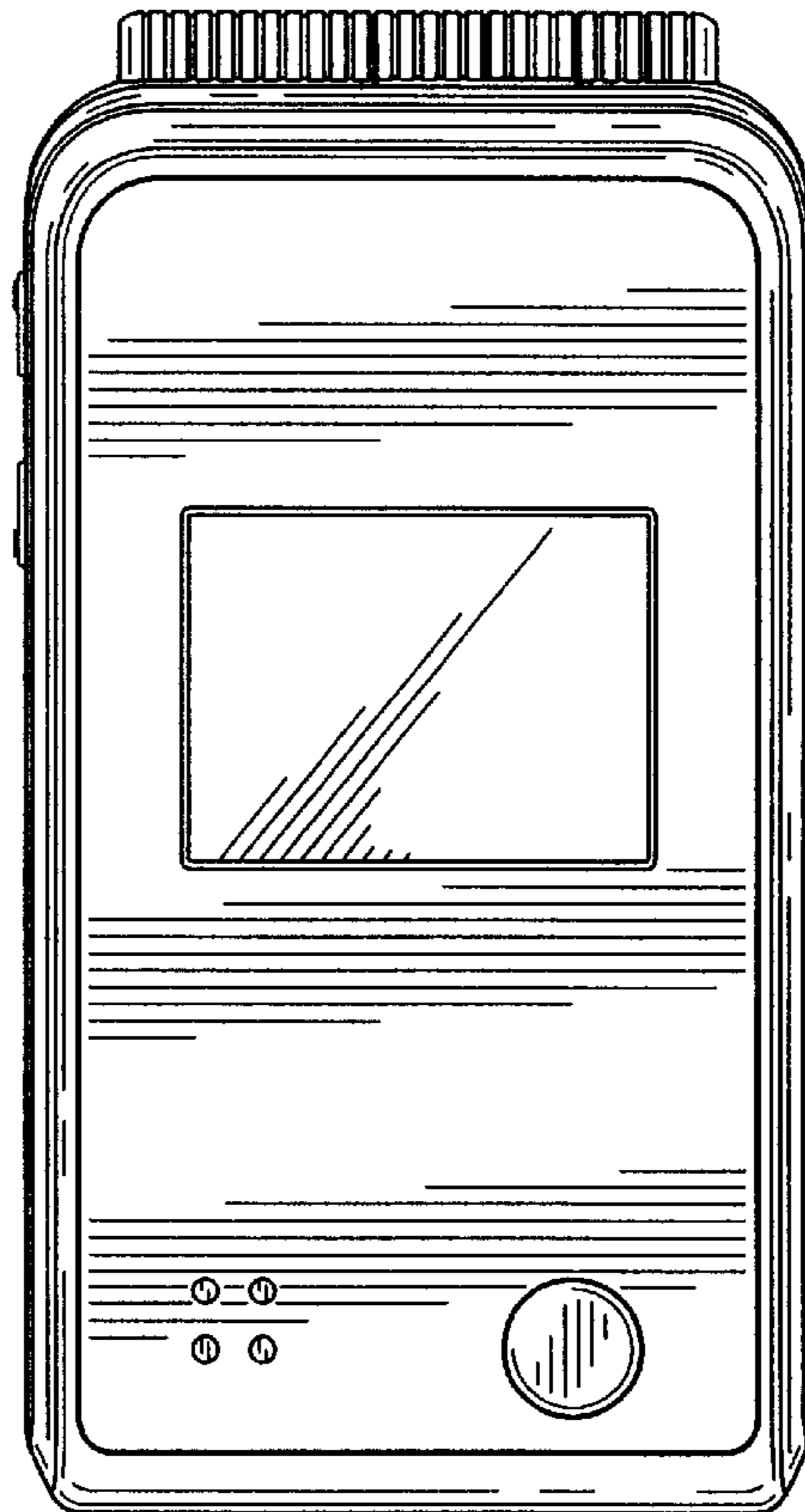


FIG. 3

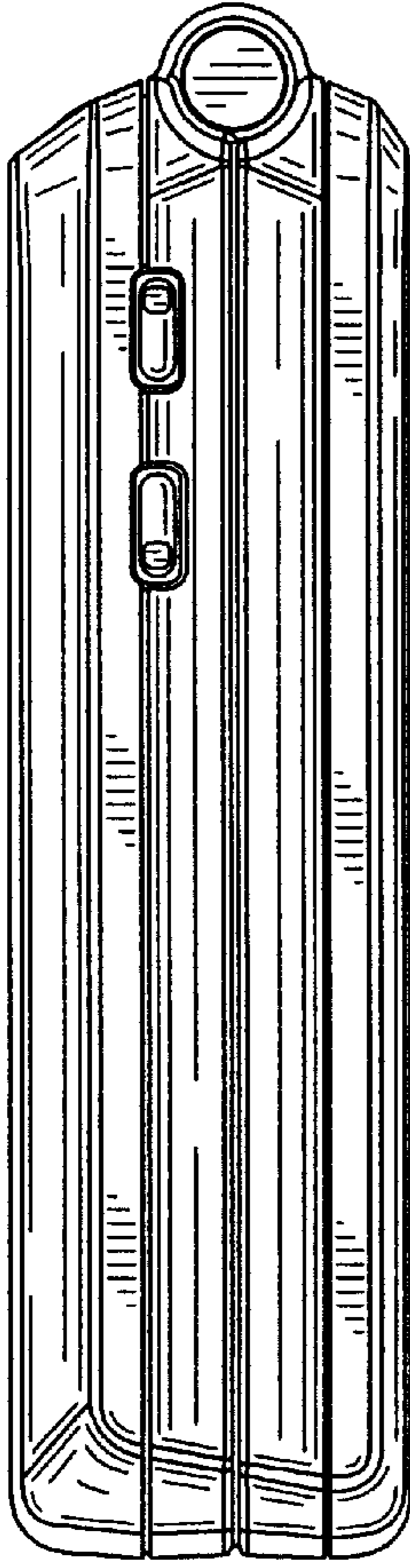


FIG. 4

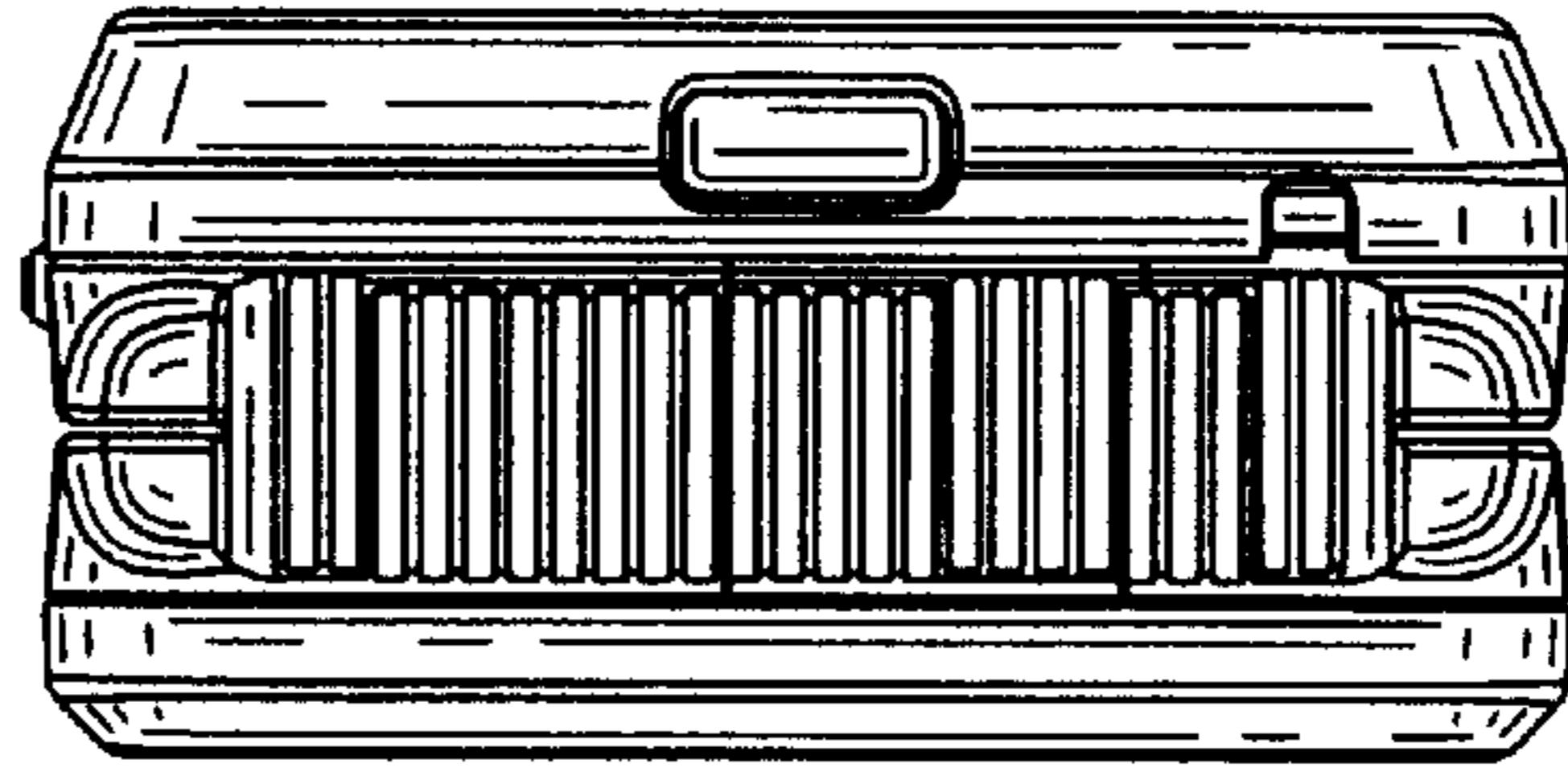


FIG. 5

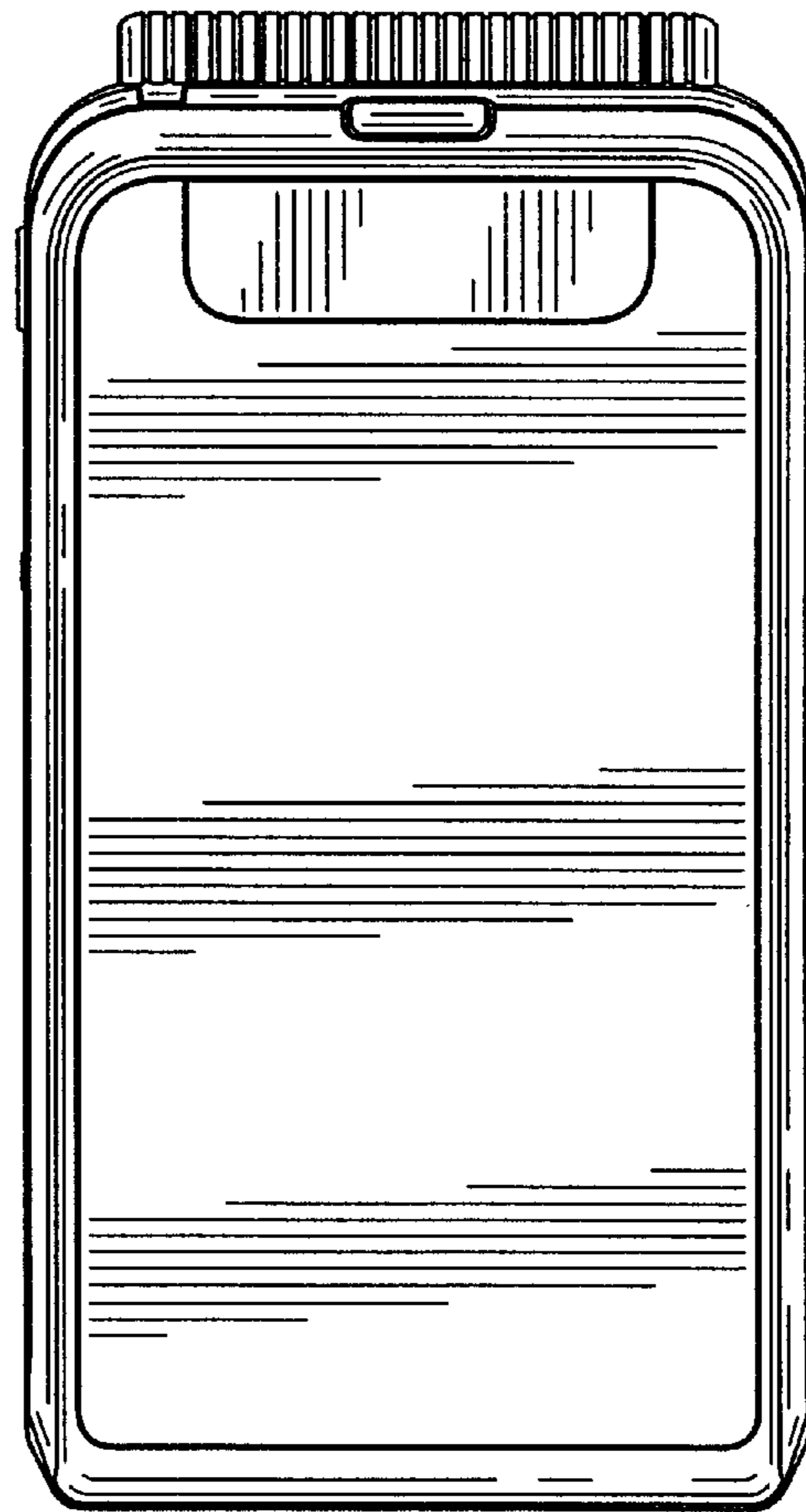


FIG. 6

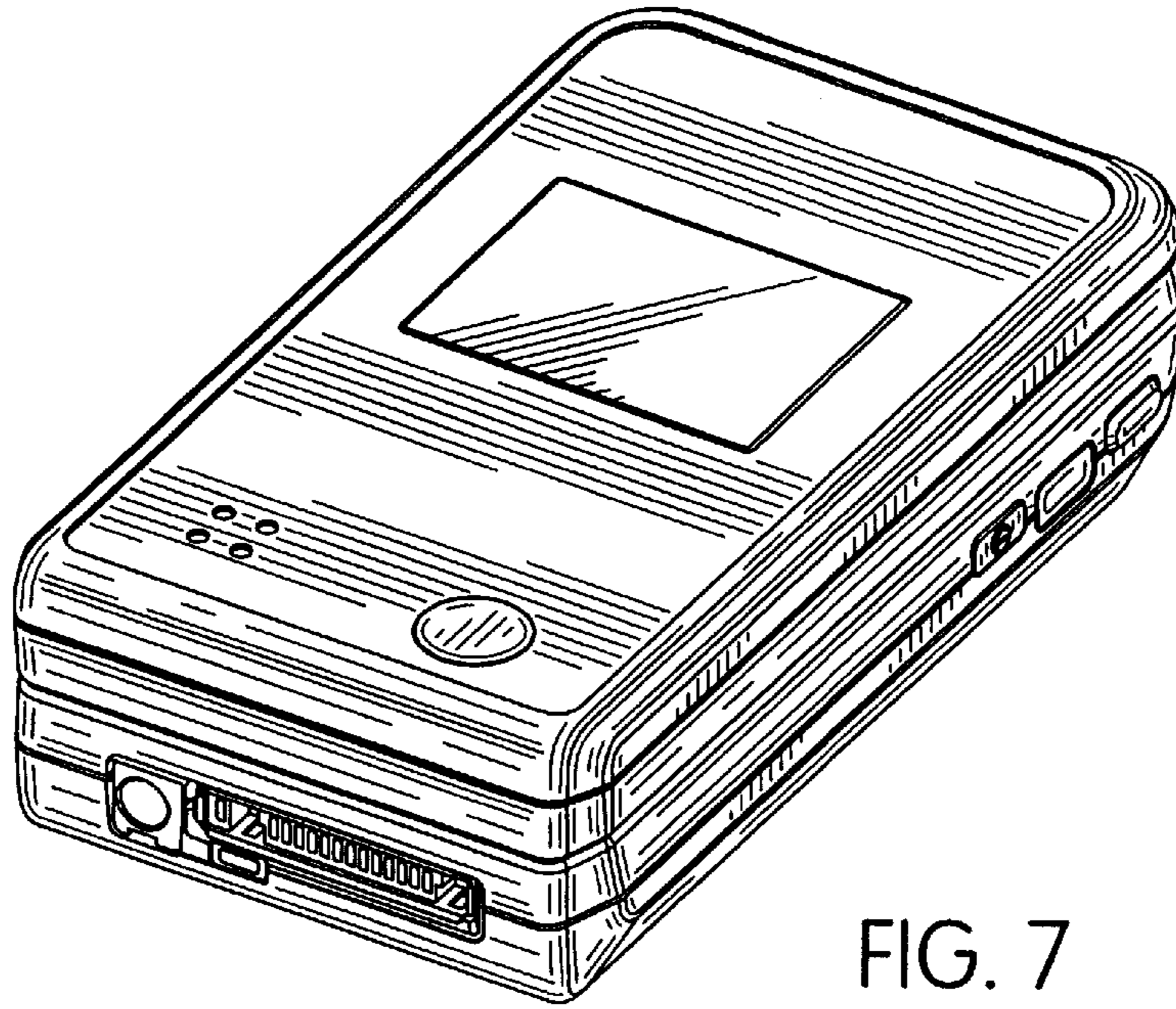


FIG. 7

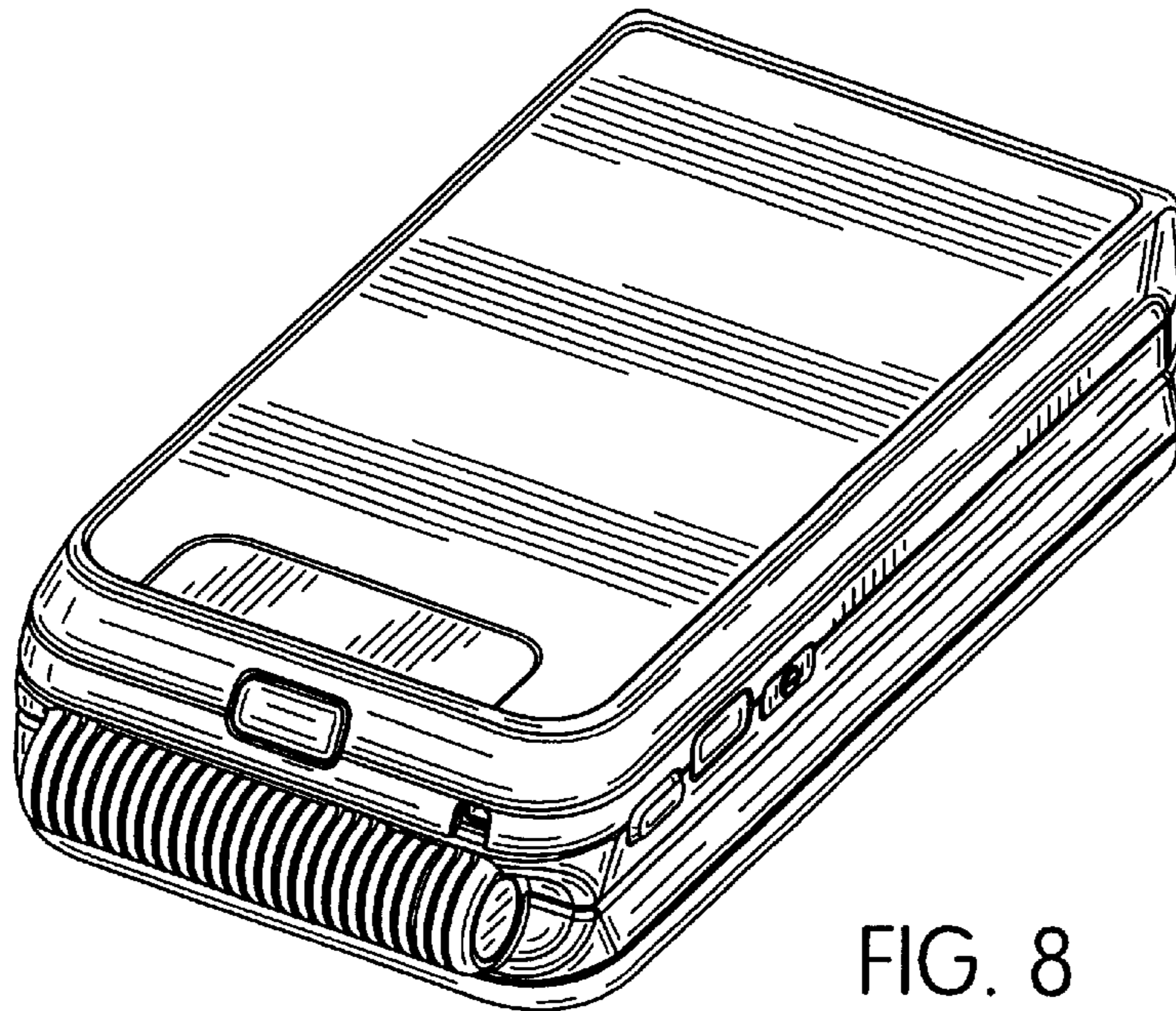


FIG. 8

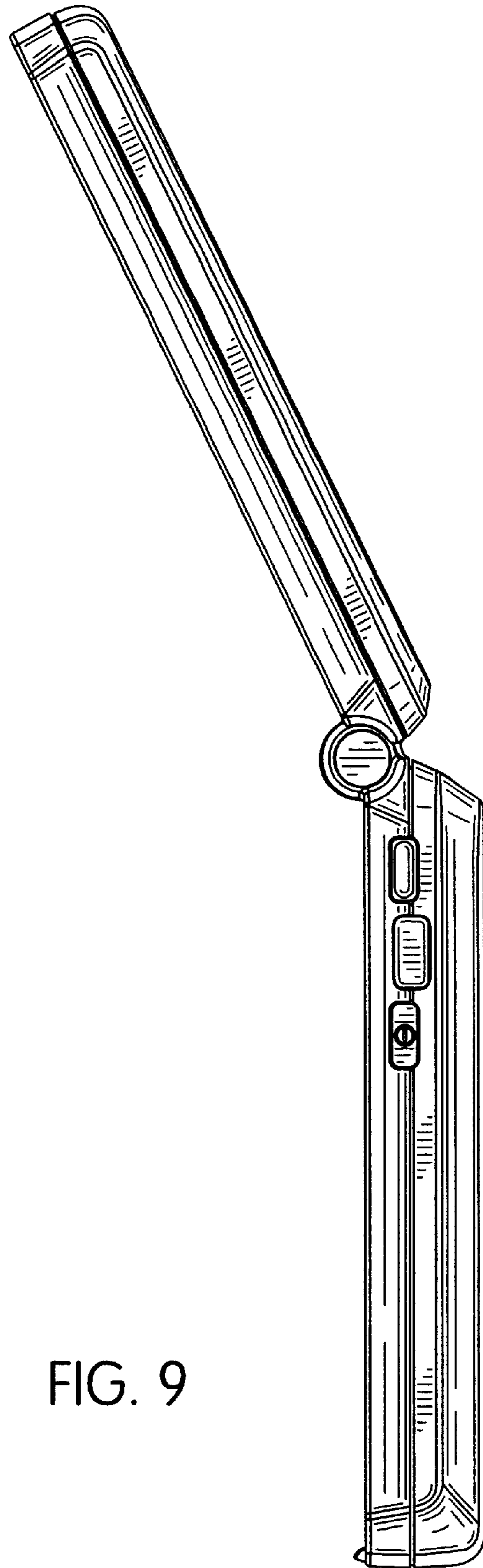


FIG. 9

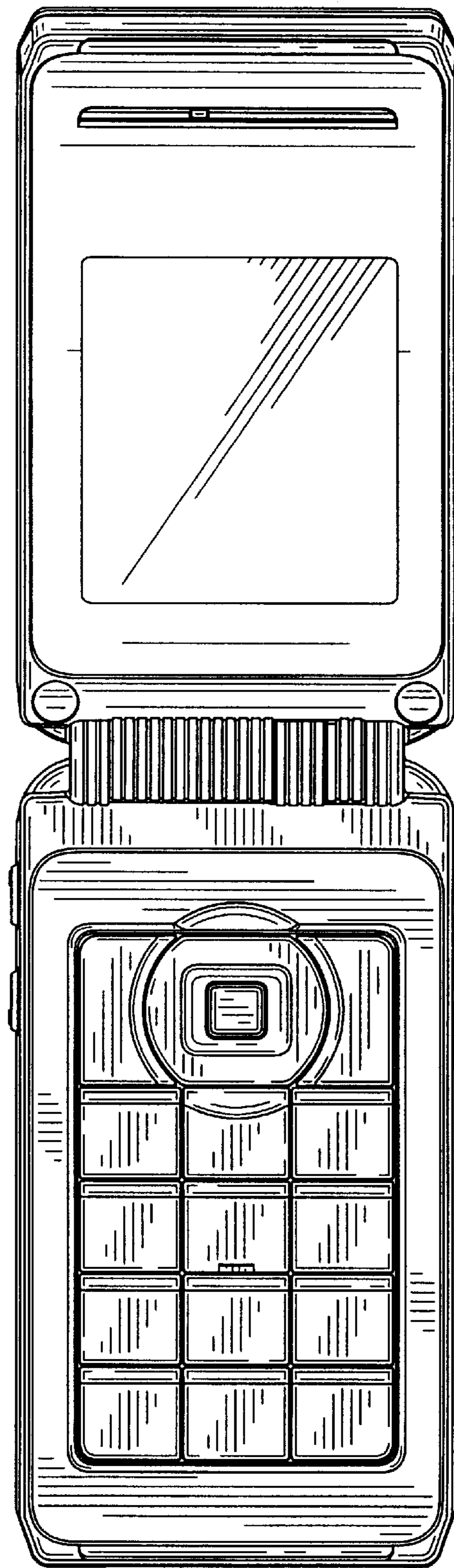


FIG. 10

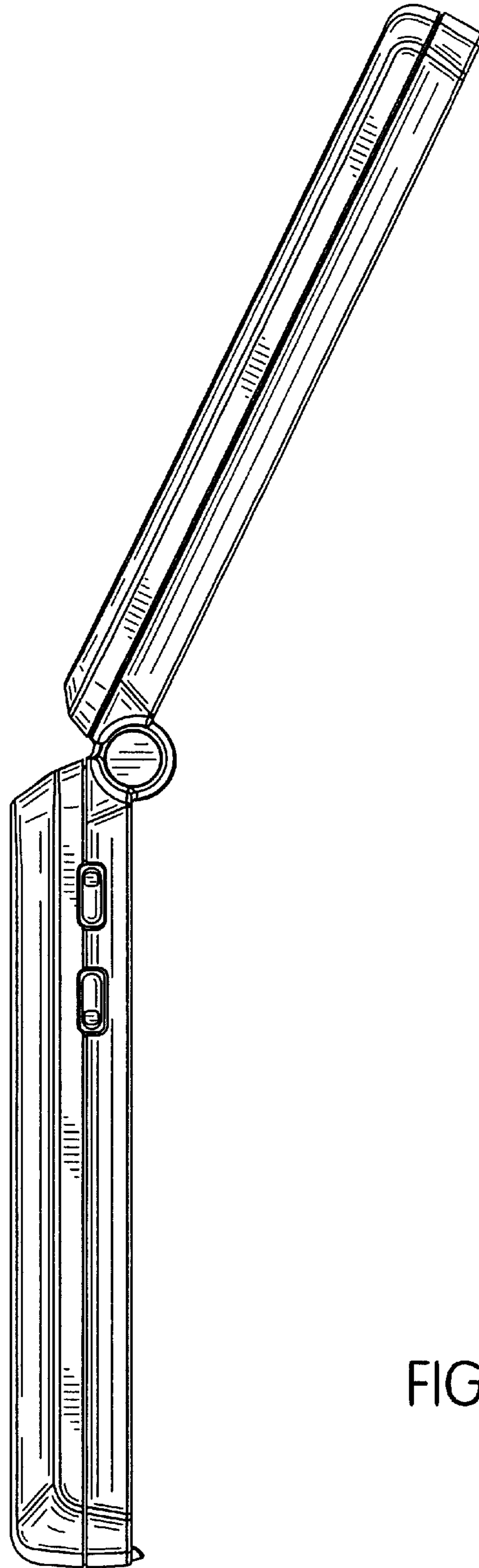


FIG. 11

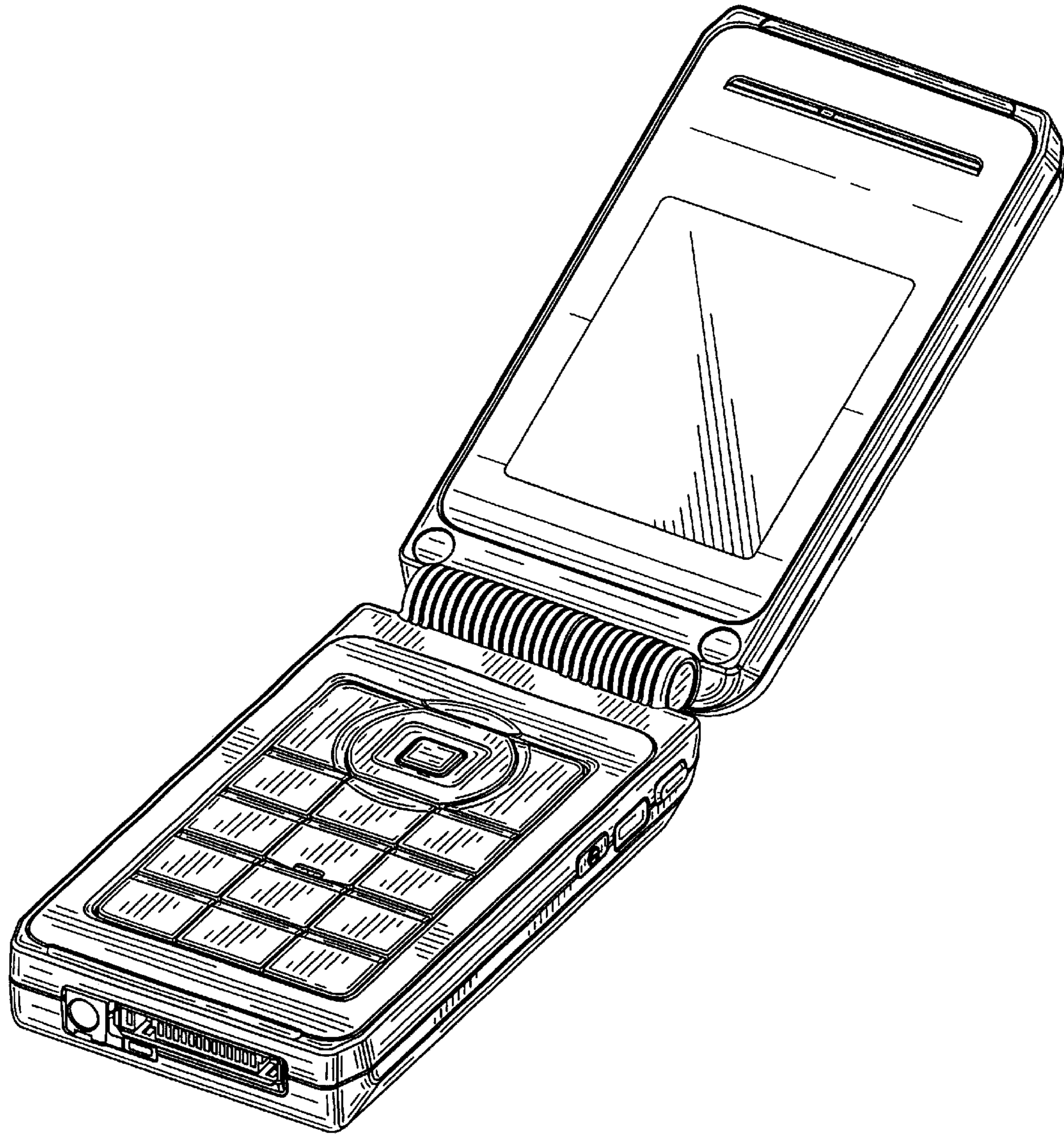


FIG. 12

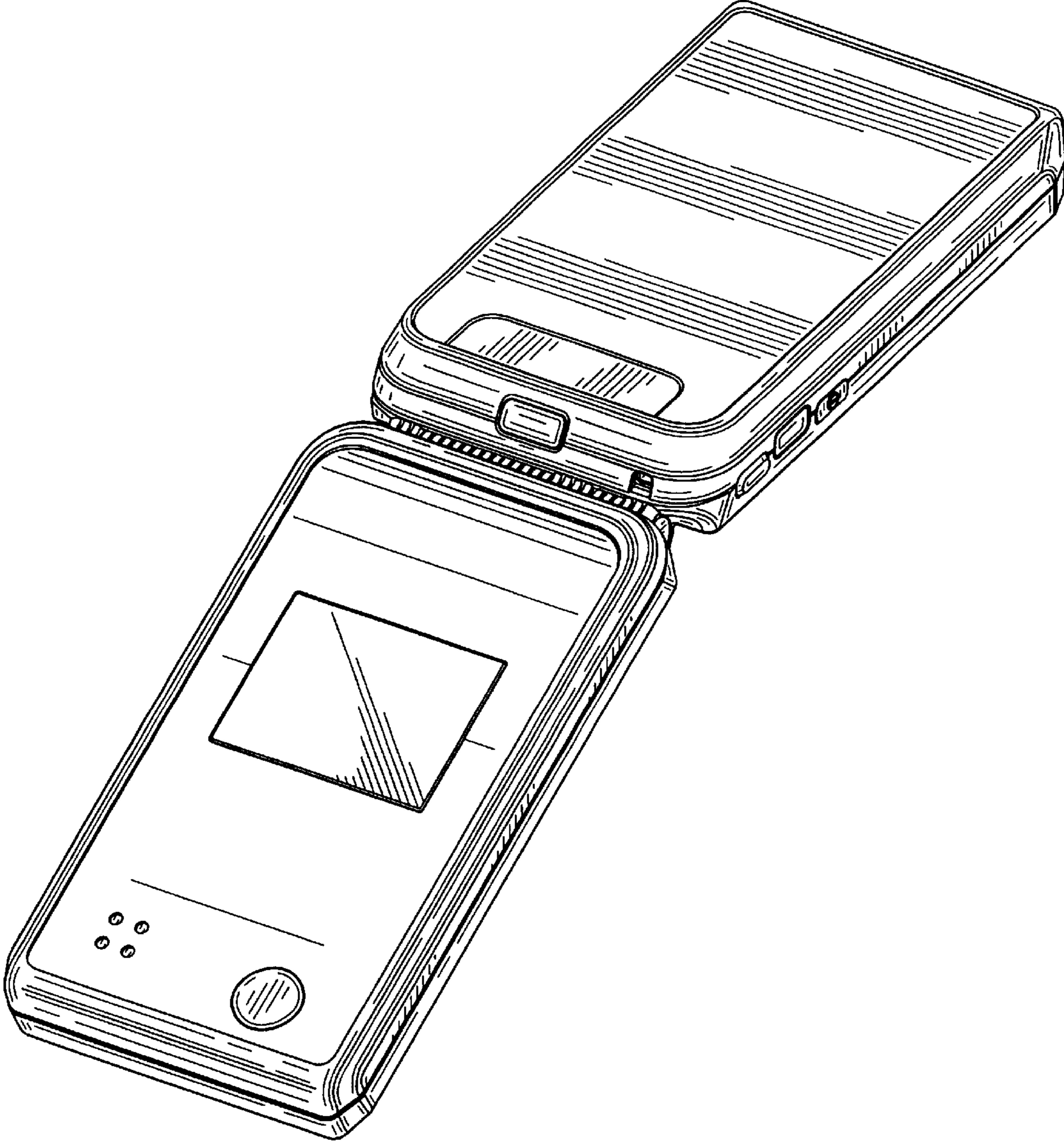


FIG. 13