



US00D519962S

(12) **United States Design Patent**
Kim et al.

(10) **Patent No.:** **US D519,962 S**

(45) **Date of Patent:** **** May 2, 2006**

(54) **DIGITAL VIDEO RECORDER**

(75) Inventors: **Min-Geun Kim**, Seoul (KR);
Won-Gab Byun, Seoul (KR)

(73) Assignee: **Samsung Electronics Co., Ltd.**,
Kyunggi-do (KR)

(**) Term: **14 Years**

(21) Appl. No.: **29/226,437**

(22) Filed: **Mar. 29, 2005**

(51) **LOC (8) Cl.** **14-01**

(52) **U.S. Cl.** **D14/136**

(58) **Field of Classification Search** D14/135-136,
D14/156-157, 160-165, 167-168, 192-198,
D14/188, 217, 257, 258, 445; 360/99.02,
360/99.07; 369/75.11, 75.21, 77.21, 77.11;
720/612, 619, 647, 655; 455/344, 347-351
See application file for complete search history.

(56) **References Cited**

U.S. PATENT DOCUMENTS

D272,063 S	*	1/1984	Ekuan	D14/156
D296,208 S	*	6/1988	Yang	D14/135
4,758,910 A	*	7/1988	Kaneko et al.	360/137
D387,755 S	*	12/1997	Shintani	D14/135
D416,891 S	*	11/1999	Hyogo et al.	D14/135
D494,555 S	*	8/2004	Wu	D14/136

OTHER PUBLICATIONS

U.S. Appl. No. 29/217,942, Applicant: Young-Sam Kwon,
et al., filed Nov. 23, 2004 entitled Complex Image Player.
U.S. Appl. No. 29/217,943, Applicant: Bong-Chan Ko, et
al., filed Nov. 23, 2004 entitled Complex Image Player.

U.S. Appl. No. 29/217,940, Applicant: Young-Sam Kwon,
et al., filed Nov. 23, 2004 entitled Complex Image Player.

U.S. Appl. No. 29/217,946, Applicant: Young-Sam Kwon,
et al., filed Nov. 23, 2004 entitled DVD Player.

U.S. Appl. No. 29/217,945, Applicant: Young-Sam Kwon,
et al., filed Nov. 23, 2004 entitled Double-Deck DVD
Recorder.

U.S. Appl. No. 29/217,947, Applicant: Young-Sam Kwon,
et al., filed Nov. 23, 2004 entitled Complex Image Player.

* cited by examiner

Primary Examiner—Nanda Bondade

(74) *Attorney, Agent, or Firm*—Flynn, Thiel, Boutell &
Tanis, P.C.

(57) **CLAIM**

The ornamental design for a digital video recorder, as shown
and described.

DESCRIPTION

FIG. 1. is a top front perspective view of a digital video
recorder showing our new design.

FIG. 2. is a front elevational view thereof.

FIG. 3. is a rear elevational view thereof.

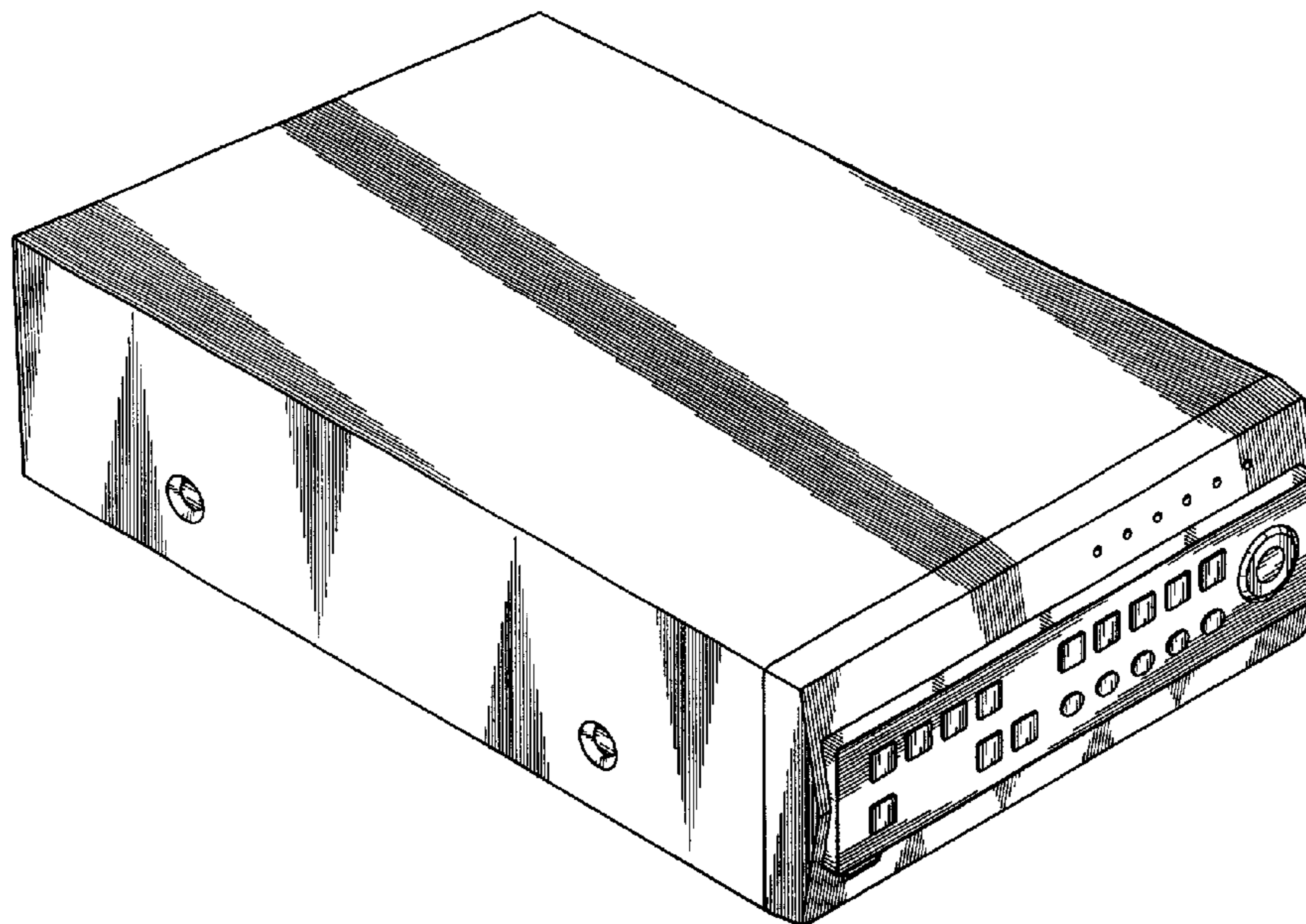
FIG. 4. is a left side elevational view thereof.

FIG. 5. is a right side elevational view thereof.

FIG. 6. is a top plan view thereof; and,

FIG. 7. is a bottom plan view thereof.

1 Claim, 5 Drawing Sheets



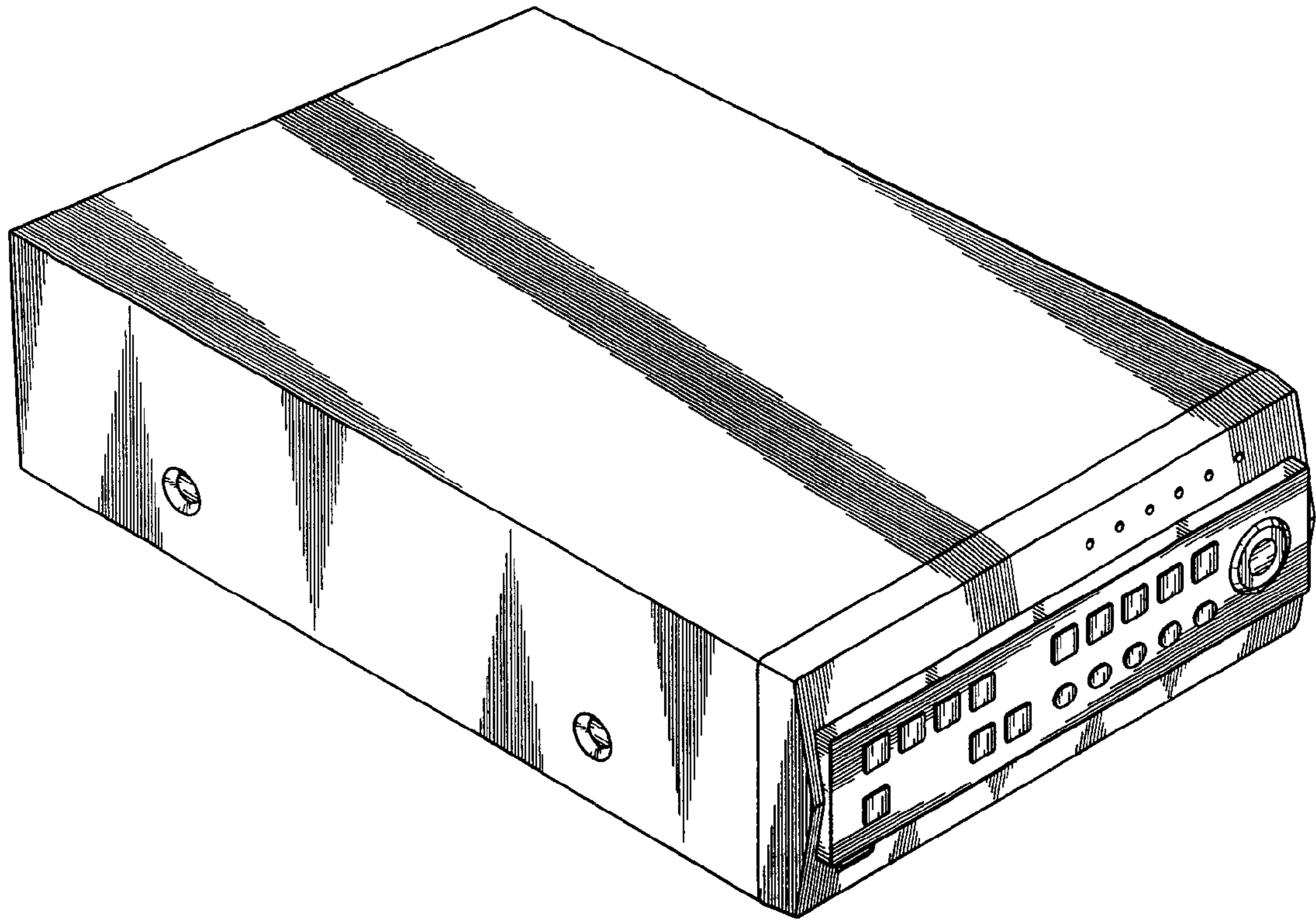


FIG. 1

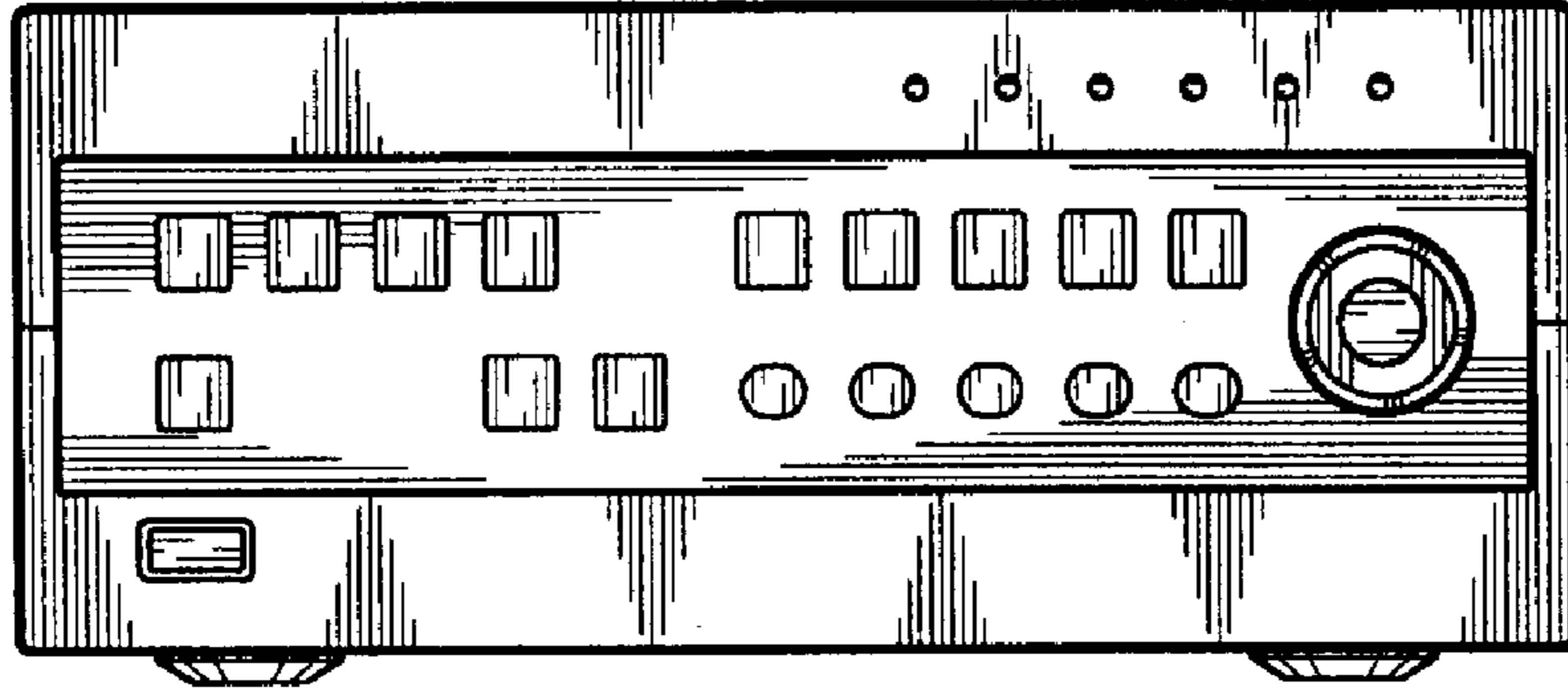


FIG. 2

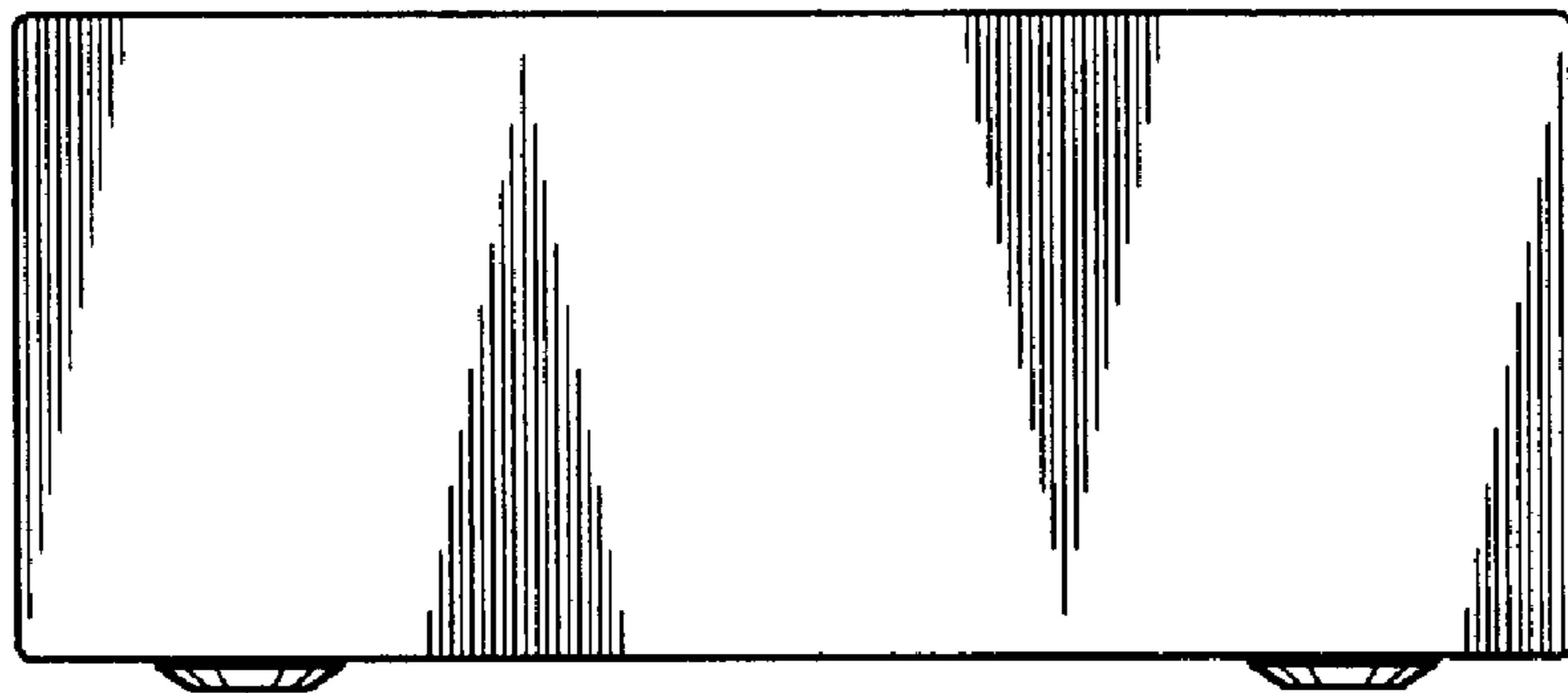


FIG. 3

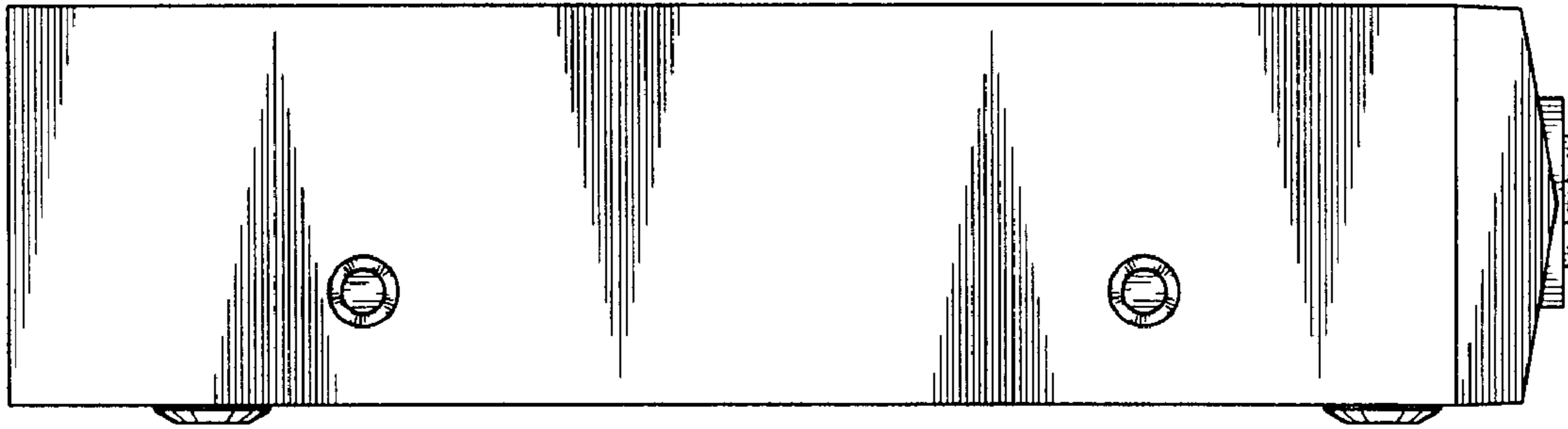


FIG. 4

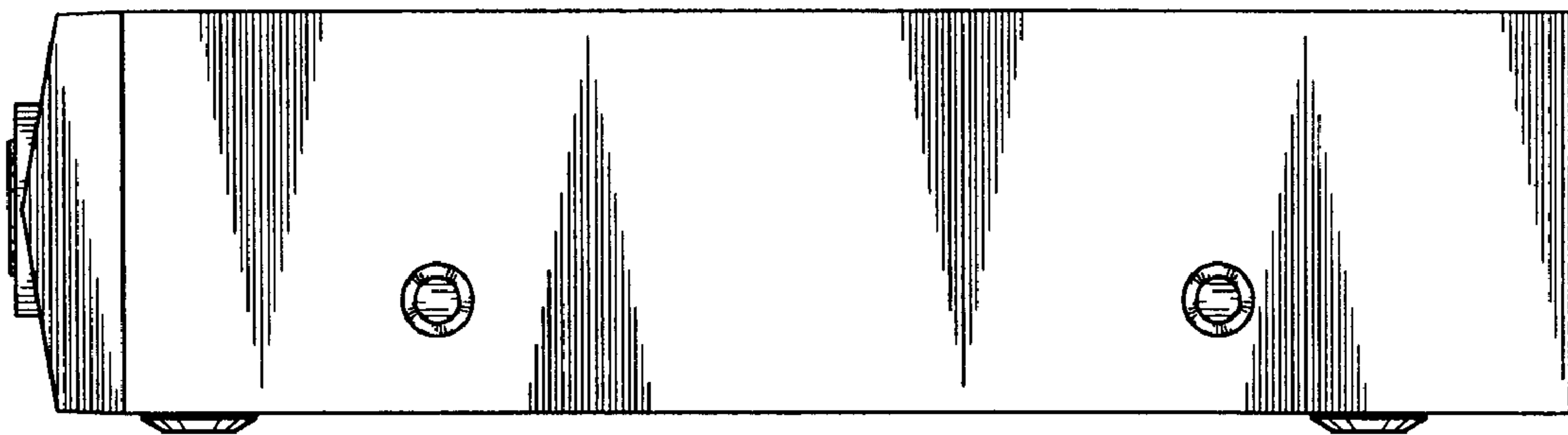


FIG. 5

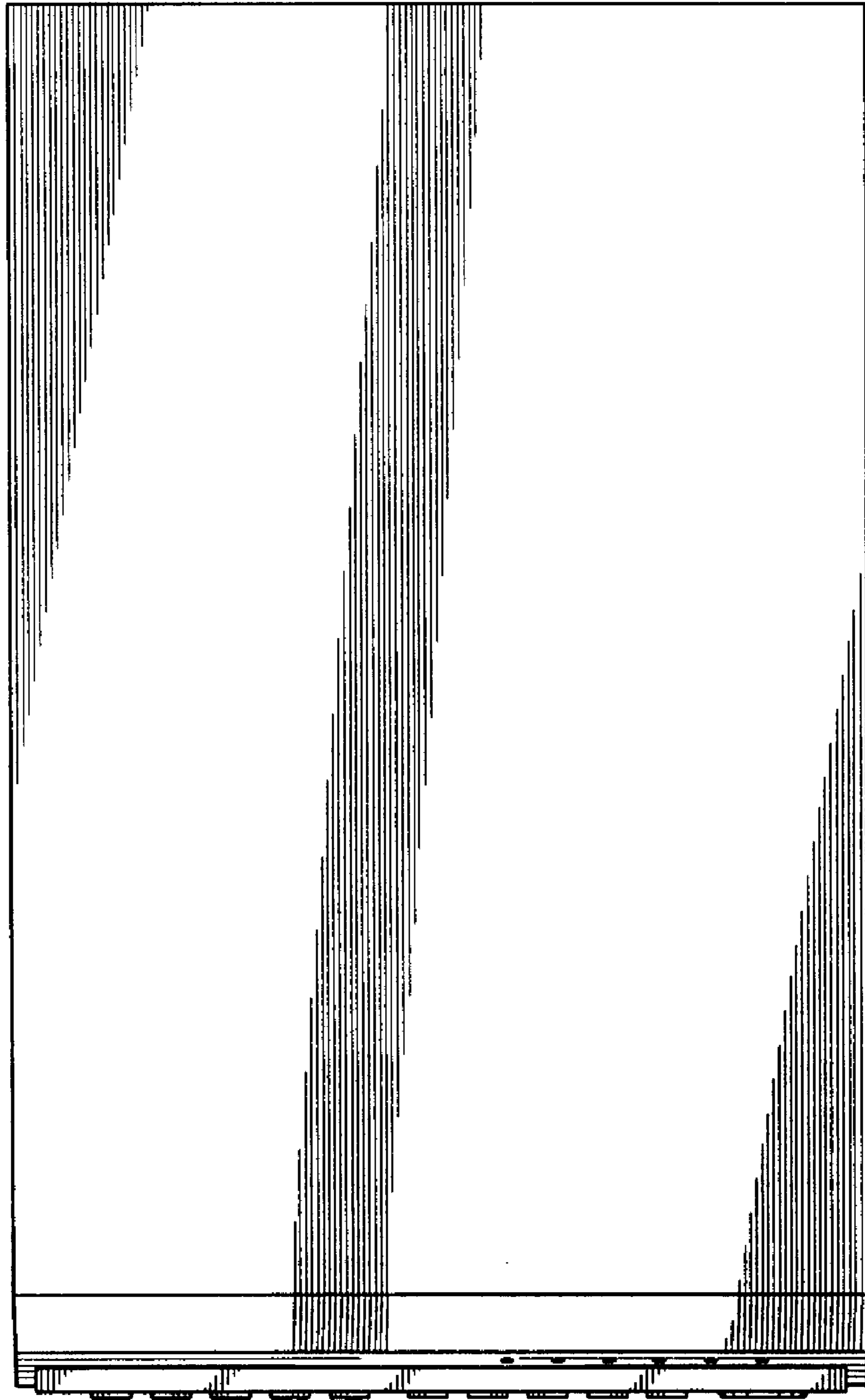


FIG.6



FIG. 7