



US00D519961S

(12) **United States Design Patent**
Naruki

(10) **Patent No.:** **US D519,961 S**

(45) **Date of Patent:** **** May 2, 2006**

(54) **DIGITAL VIDEO DISK PLAYER**

(75) Inventor: **Masatomo Naruki**, Kawasaki (JP)

(73) Assignee: **Kabushiki Kaisha Toshiba** (JP)

(**) Term: **14 Years**

(21) Appl. No.: **29/222,518**

(22) Filed: **Feb. 2, 2005**

(30) **Foreign Application Priority Data**

Dec. 28, 2004 (JP) 2004-040421

(51) **LOC (8) Cl.** **14-01**

(52) **U.S. Cl.** **D14/136**

(58) **Field of Classification Search** D14/135-136,
D14/156-157, 160-165, 167-168, 192-198,
D14/188, 217, 257, 258, 445; 360/99.02,
360/99.07; 369/75.11, 75.21, 77.21, 77.11;
720/612, 619, 647, 655; 455/344, 347-351
See application file for complete search history.

(56) **References Cited**

U.S. PATENT DOCUMENTS

D410,237 S * 5/1999 Kanatani D14/156
D410,464 S * 6/1999 Hakoda D14/156
D411,195 S * 6/1999 Nakamura D14/135

D424,050 S * 5/2000 Sakamoto et al. D14/136
D485,563 S * 1/2004 Wei D14/496
D500,298 S * 12/2004 Yang D14/156

FOREIGN PATENT DOCUMENTS

JP 1179315 7/2003

* cited by examiner

Primary Examiner—Nanda Bondade

(74) *Attorney, Agent, or Firm*—Banner & Witcoff, Ltd.

(57) **CLAIM**

The ornamental design for a digital video disk player, as shown and described.

DESCRIPTION

FIG. 1 is a top, front and right side perspective view of a digital video disk player showing my new design, FIG. 2 is a front elevational view thereof, FIG. 3 is a rear elevational view thereof, FIG. 4 is a left side elevational view thereof, FIG. 5 is a right side elevational view thereof, FIG. 6 is a top plan view thereof, FIG. 7 is a bottom plan view thereof; and, FIG. 8 is a perspective view showing the article with the tray being pulled out thereof.

1 Claim, 4 Drawing Sheets

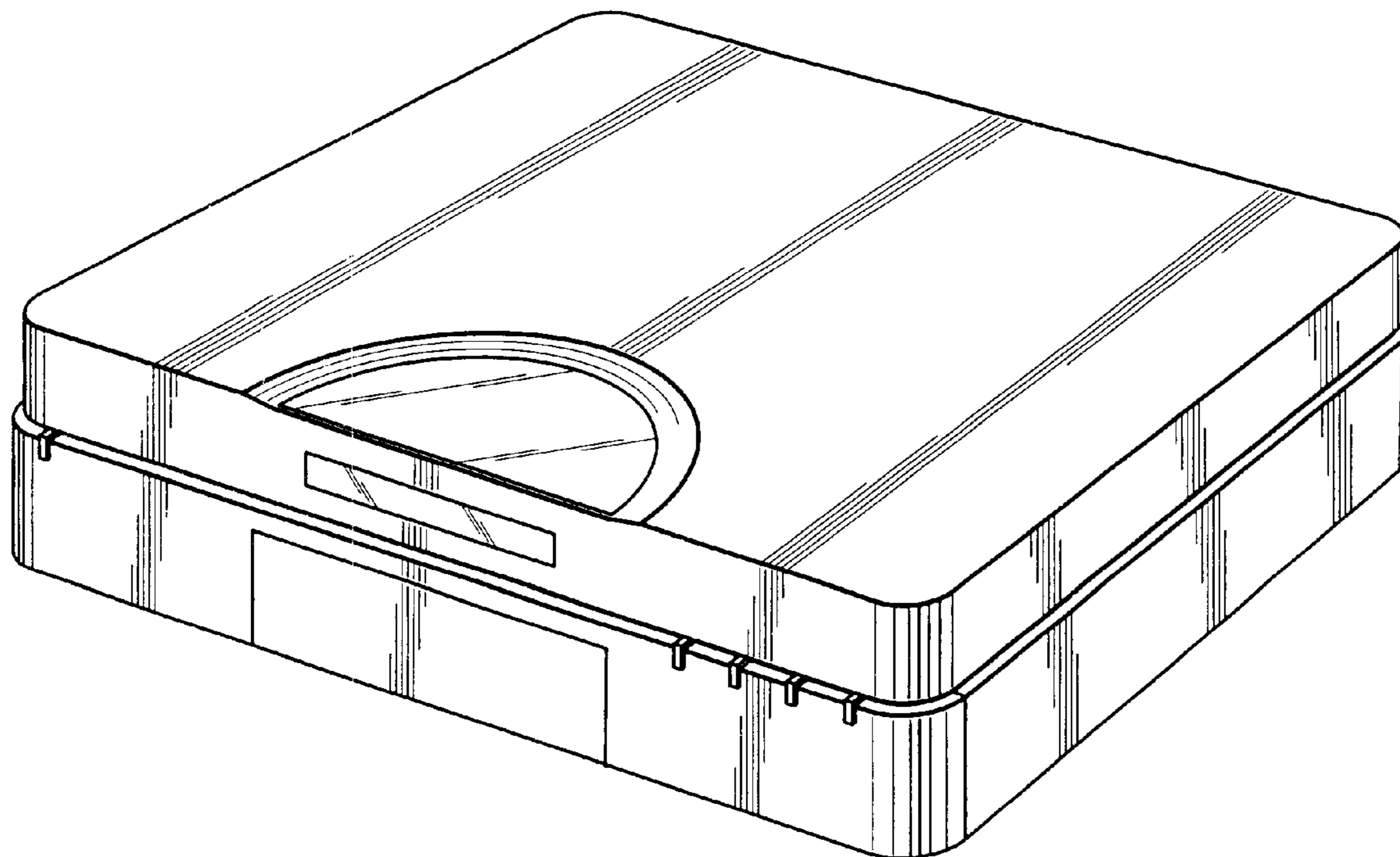


FIG. 1

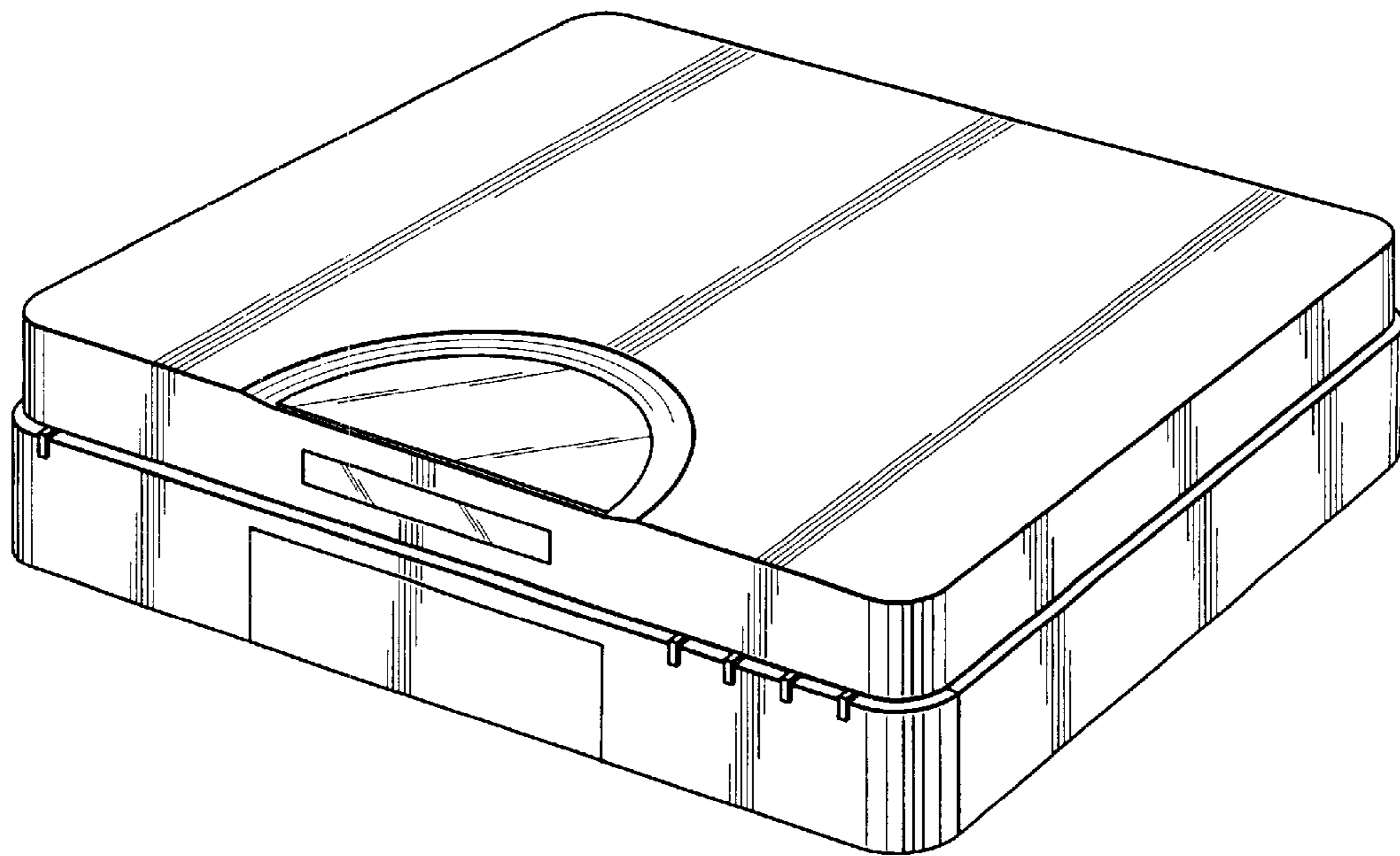


FIG. 2

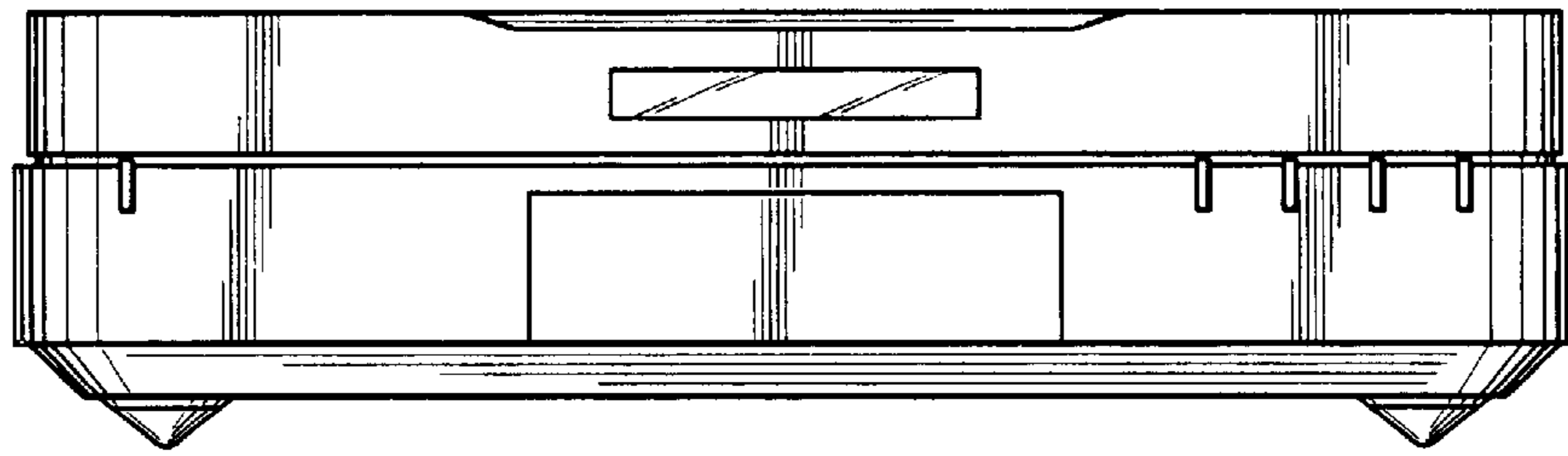


FIG. 3

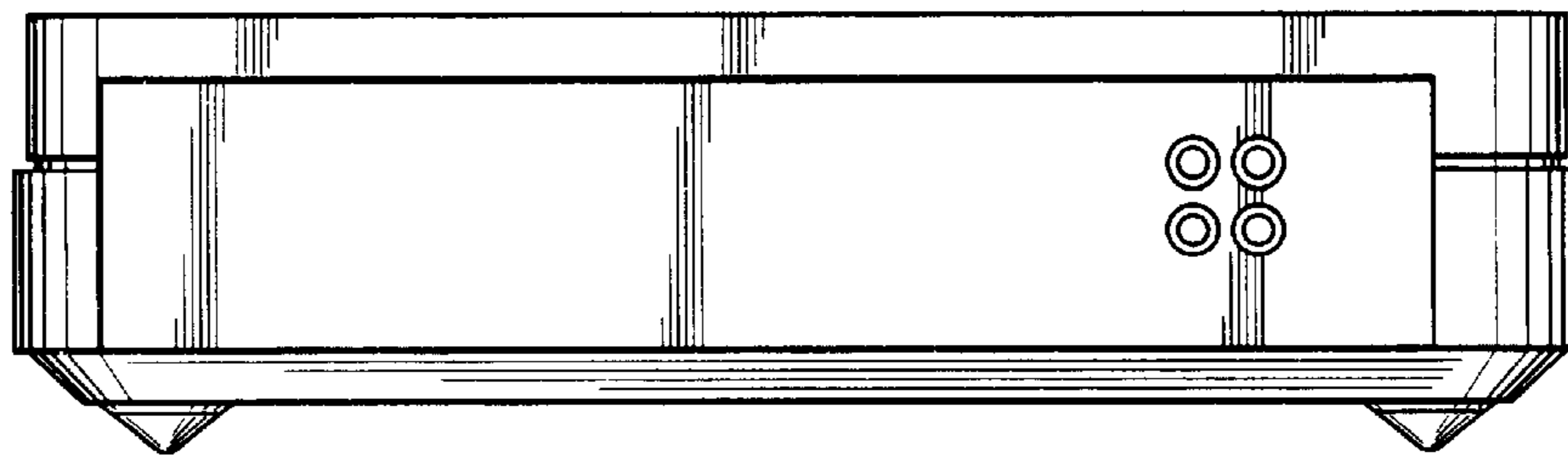


FIG. 4

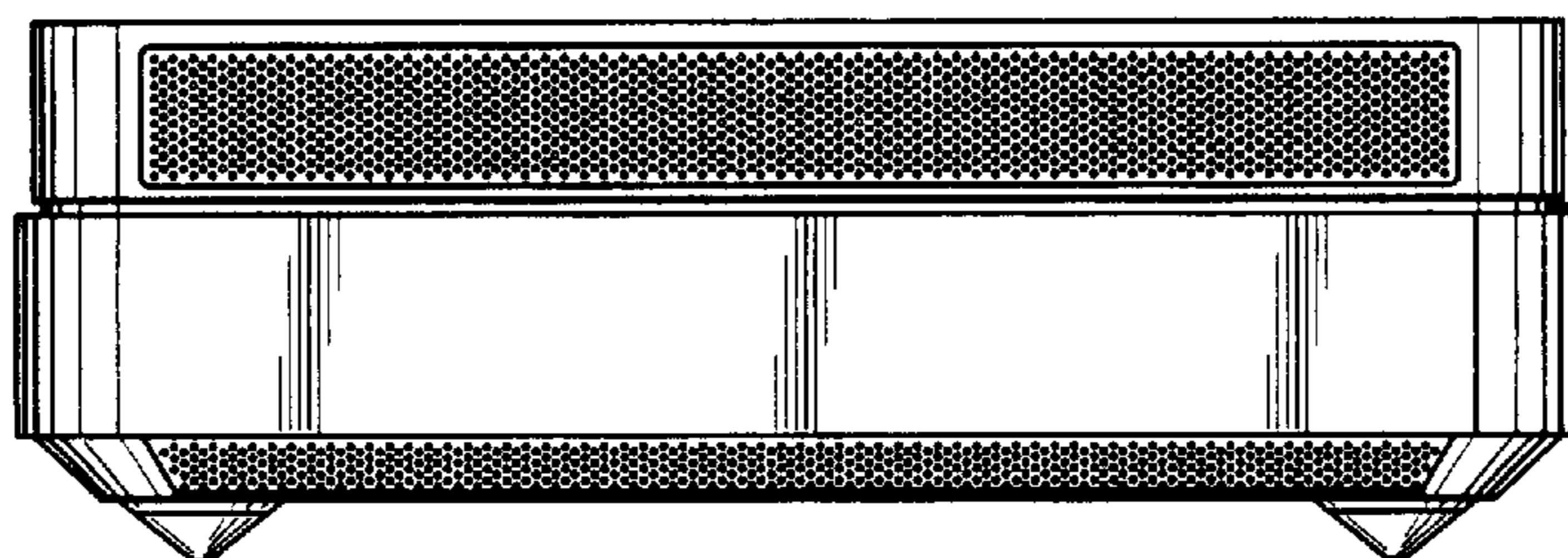


FIG. 5

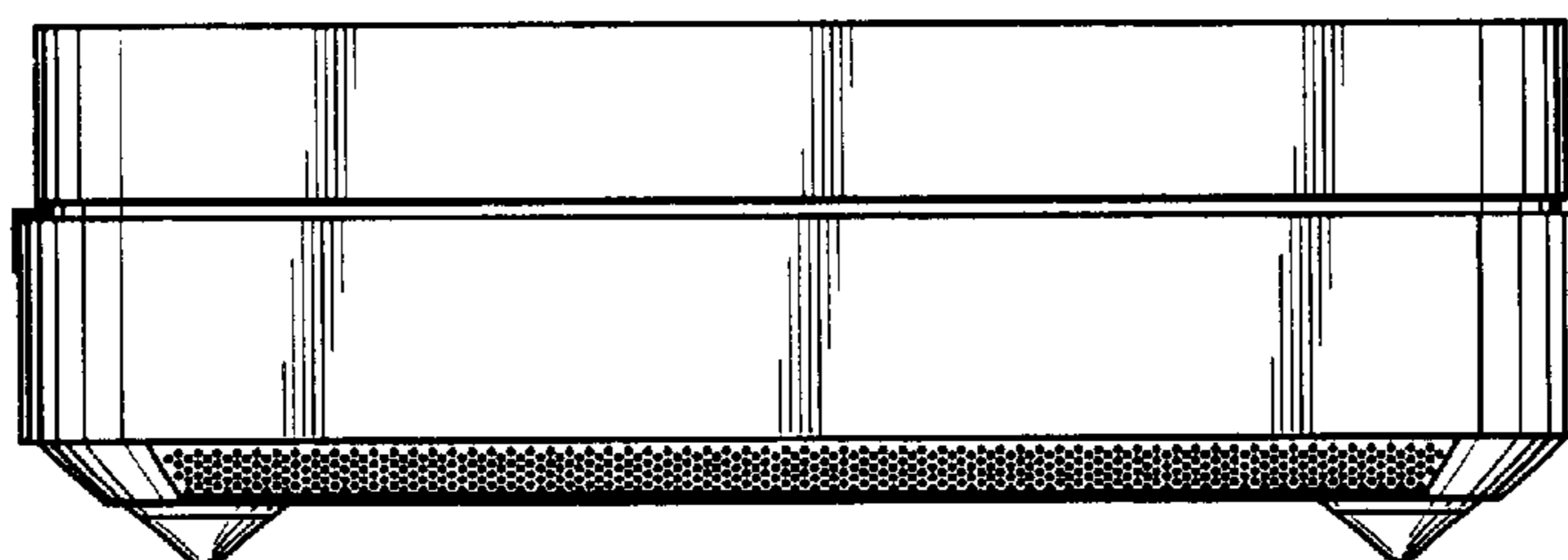


FIG. 6

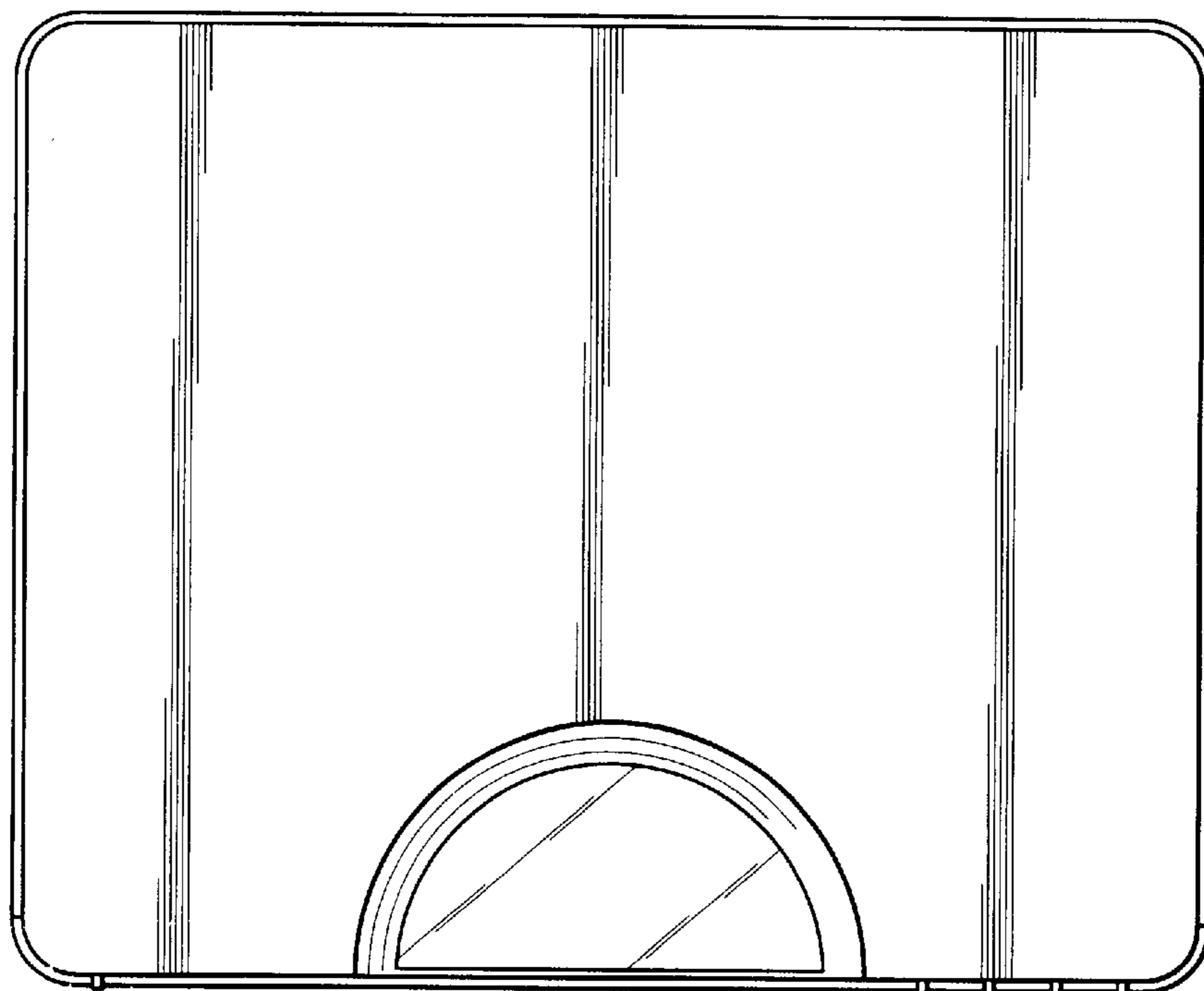


FIG. 7

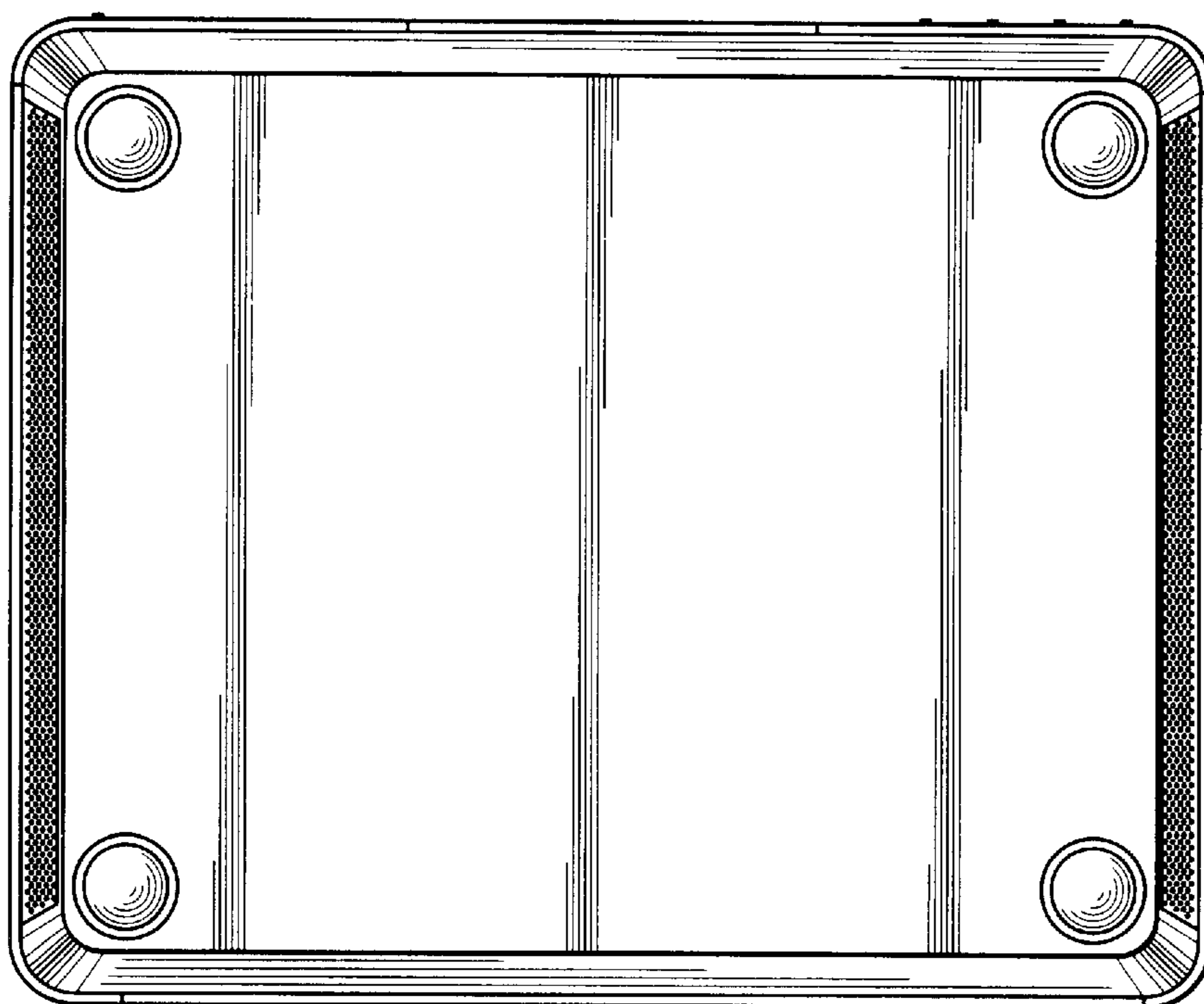


FIG. 8

