



US00D519960S

(12) **United States Design Patent**
Kwon et al.

(10) **Patent No.:** **US D519,960 S**

(45) **Date of Patent:** **** May 2, 2006**

(54) **DVD PLAYER**

(75) Inventors: **Young-Sam Kwon**, Seoul (KR);
Won-Gab Byun, Seoul (KR)

(73) Assignee: **Samsung Electronics Co., Ltd.**,
Kyunggi-do (KR)

(**) Term: **14 Years**

(21) Appl. No.: **29/217,946**

(22) Filed: **Nov. 23, 2004**

(51) **LOC (8) Cl.** **14-01**

(52) **U.S. Cl.** **D14/136**

(58) **Field of Classification Search** D14/135-136,
D14/156-157, 160-165, 167-168, 192-198,
D14/188, 217, 257, 258, 445; 360/99.02,
360/99.07; 369/75.11, 75.21, 77.21, 77.11;
720/612, 619, 647, 655; 455/344, 347-351
See application file for complete search history.

(56) **References Cited**

U.S. PATENT DOCUMENTS

D297,931 S * 10/1988 Yonezawa et al. D14/135
D387,755 S * 12/1997 Shintani D14/135
D439,228 S * 3/2001 Tsuge D14/136

OTHER PUBLICATIONS

U.S. Appl. No. 29/217,940, filed Nov. 23, 2004, Applicants:
Young-Sam Kwon and Won-Gab Byun (6 pages).

U.S. Appl. No. 29/217,942, filed Nov. 23, 2004, Applicants:
Young-Sam Kwon and Won-Gab Byun (4 pages).

U.S. Appl. No. 29/217,943, filed Nov. 23, 2004, Applicants:
Bong-Chan Ko, Young-Sam Kwon and Han-Kim (5
pages).

U.S. Appl. No. 29/217,945, filed Nov. 23, 2004, Applicants:
Young-Sam Kwon and Won-Gab Byun (5 pages).

U.S. Appl. No. 29/217,947, filed Nov. 23, 2004, Applicants:
Young-Sam Kwon, Won-Gab Byun and Han-Kim (4
pages).

* cited by examiner

Primary Examiner—Nanda Bondade

(74) *Attorney, Agent, or Firm*—Flynn, Thiel, Boutell &
Tanis, P.C.

(57) **CLAIM**

The ornamental design for a DVD player, as shown and
described.

DESCRIPTION

FIG. 1. is a top front perspective view of a DVD player
showing our new design.

FIG. 2. is a front elevational view thereof.

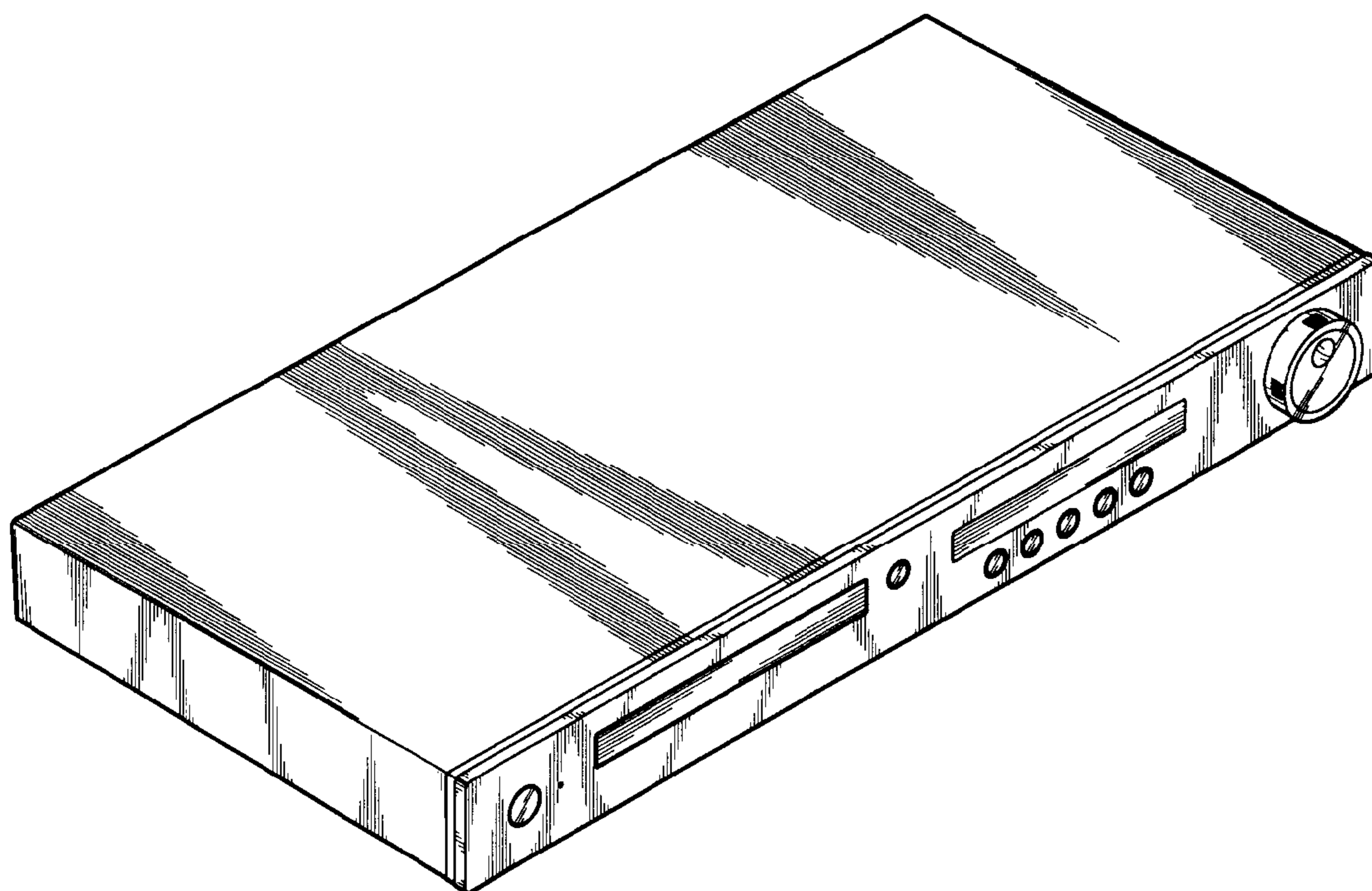
FIG. 3. is a rear elevational view thereof.

FIG. 4 is a left side elevational view thereof, the right side
view being a mirror image thereof.

FIG. 5. is a top plan view thereof; and,

FIG. 6. is a bottom plan view thereof.

1 Claim, 3 Drawing Sheets



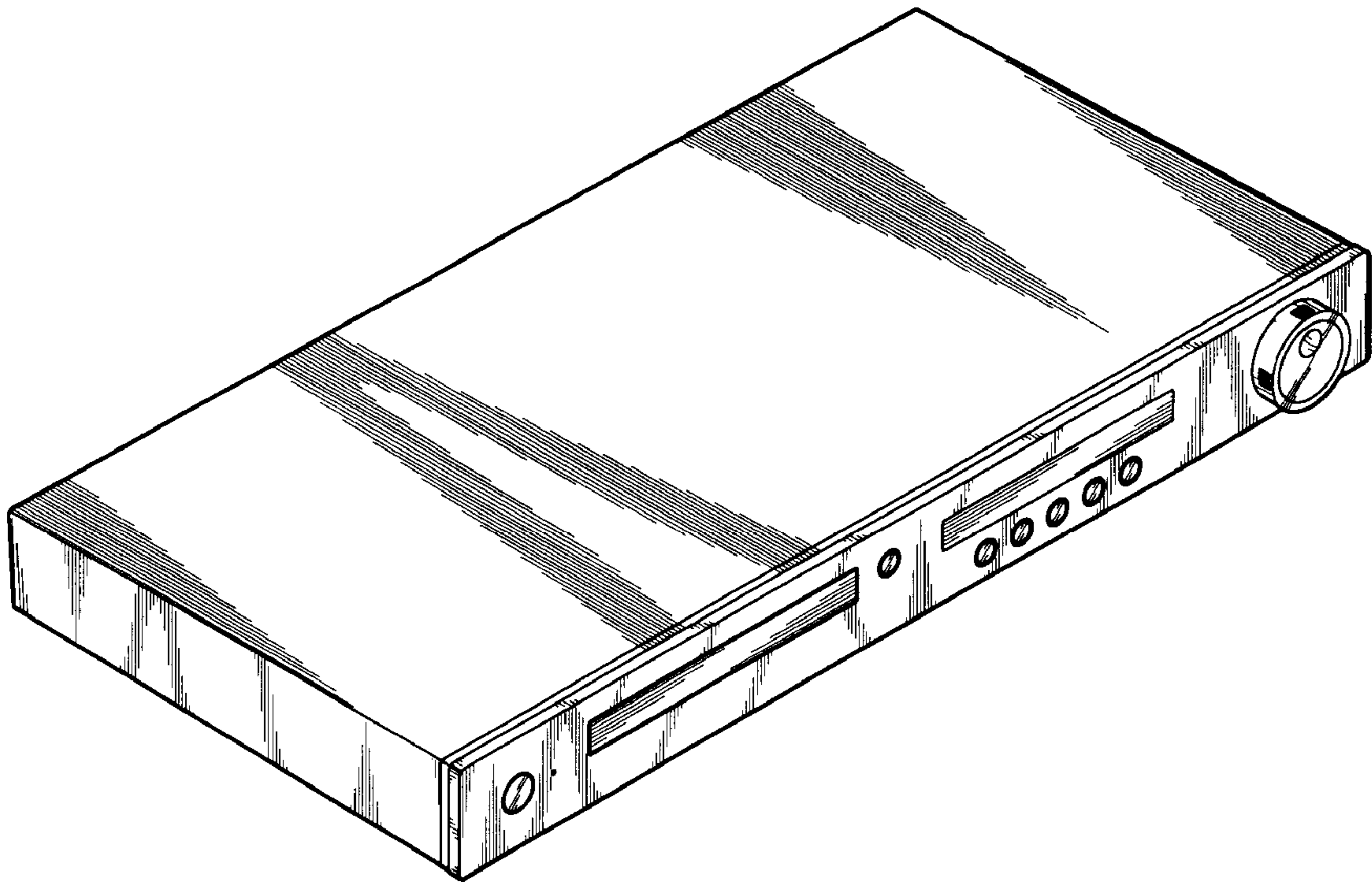


FIG. 1

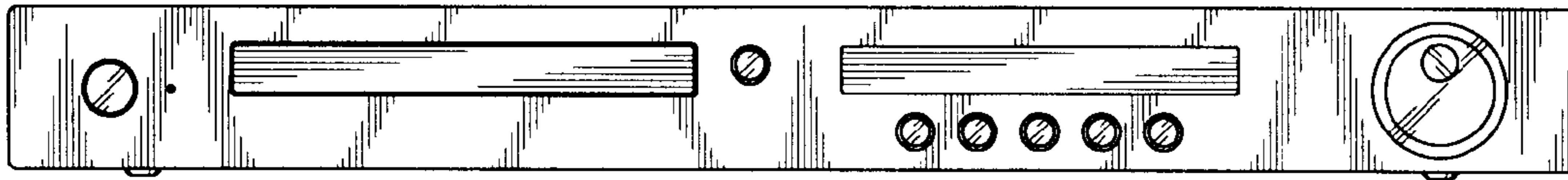


FIG. 2

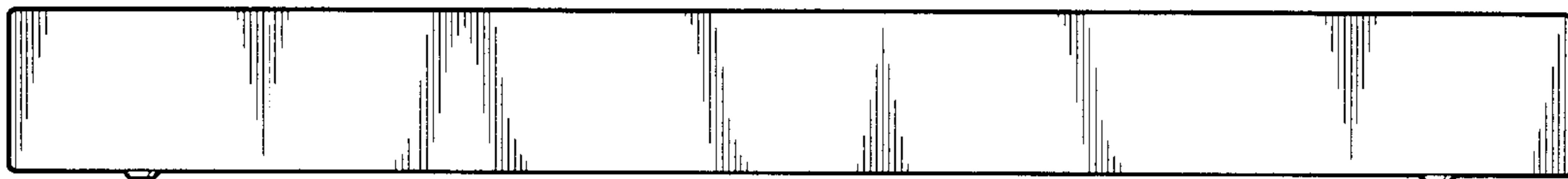


FIG. 3

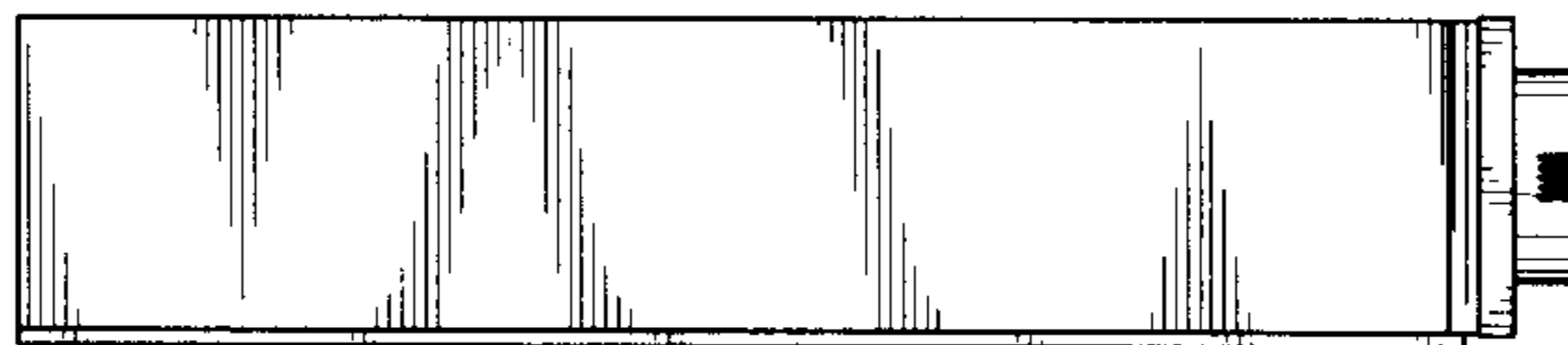


FIG. 4

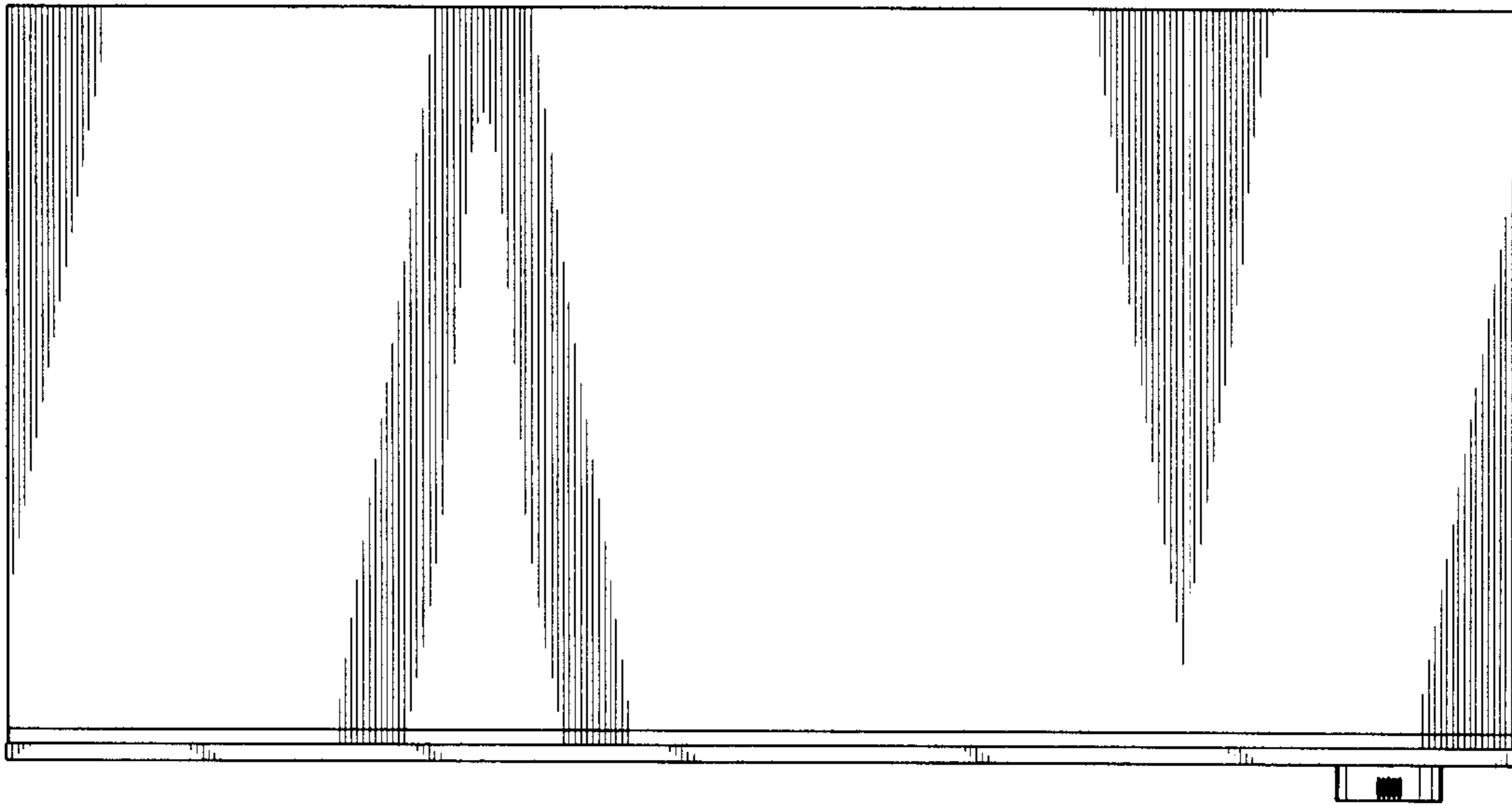


FIG. 5

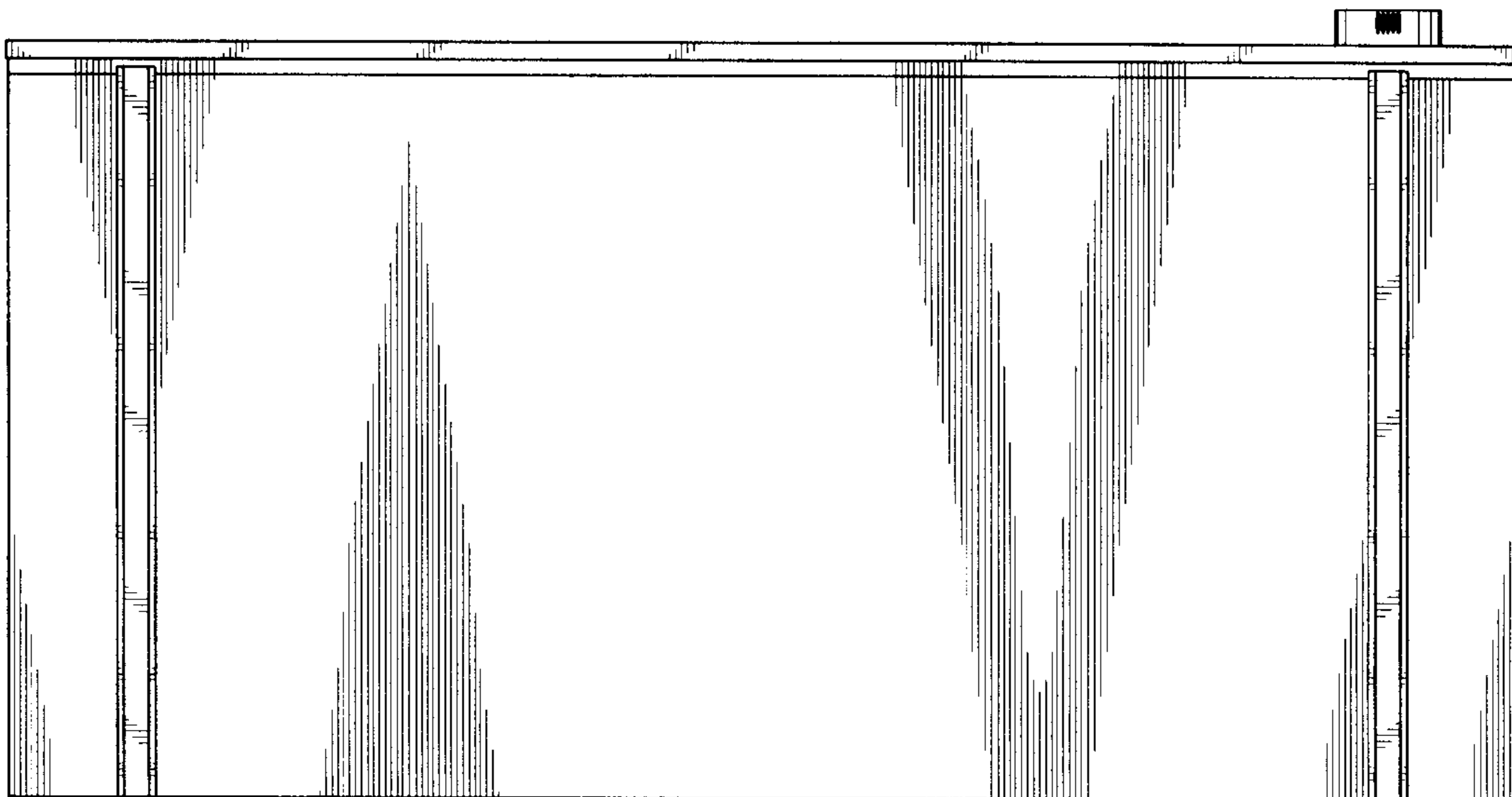


FIG. 6