



US00D519955S

(12) **United States Design Patent** (10) **Patent No.:** **US D519,955 S**
Hoehn et al. (45) **Date of Patent:** **** May 2, 2006**

(54) **TELEVISION SET**

(75) Inventors: **Holger Hoehn**, Taipei (TW); **Reinier Bloem**, Taipei (TW)

(73) Assignee: **Hannspree, Inc.** (TW)

(**) Term: **14 Years**

(21) Appl. No.: **29/230,090**

(22) Filed: **May 17, 2005**

(30) **Foreign Application Priority Data**

Dec. 7, 2004 (TW) 93307403

(51) **LOC (8) Cl.** **14-03**

(52) **U.S. Cl.** **D14/126; D14/129**

(58) **Field of Classification Search** D14/125-134, D14/239, 371, 136, 374-376; 312/7.2; 348/836, 348/838, 180, 184, 325, 739; 341/12; 248/917-924, 248/465; 345/104, 133, 156, 168, 87, 173; 720/605, 669, 600, 655; 369/99, 197; 455/344-347
See application file for complete search history.

(56) **References Cited**

U.S. PATENT DOCUMENTS

5,072,998 A * 12/1991 Oh 312/7.2
5,464,214 A * 11/1995 Griffin 273/148 B
5,564,209 A * 10/1996 Zagnoli 312/7.2
D399,268 S * 10/1998 Liu D21/333
D406,613 S * 3/1999 Nakanishi D21/329

6,227,966 B1 * 5/2001 Yokoi 446/175
D474,468 S * 5/2003 Zuege et al. D21/515
6,558,225 B1 * 5/2003 Rehkemper et al. 446/484
D475,707 S * 6/2003 Zuege et al. D14/371
D476,991 S * 7/2003 Zuege et al. D14/371
D500,099 S * 12/2004 Gioffre D21/515
2003/0045203 A1 * 3/2003 Sabe et al. 446/356

OTHER PUBLICATIONS

Hong Kong Toys, p. 190, Feb. 1997.*
Hong Kong Enterprise, p. 212, Feb. 2000.*

* cited by examiner

Primary Examiner—Raphael Barkai
(74) *Attorney, Agent, or Firm*—Jackson Walker, LLP

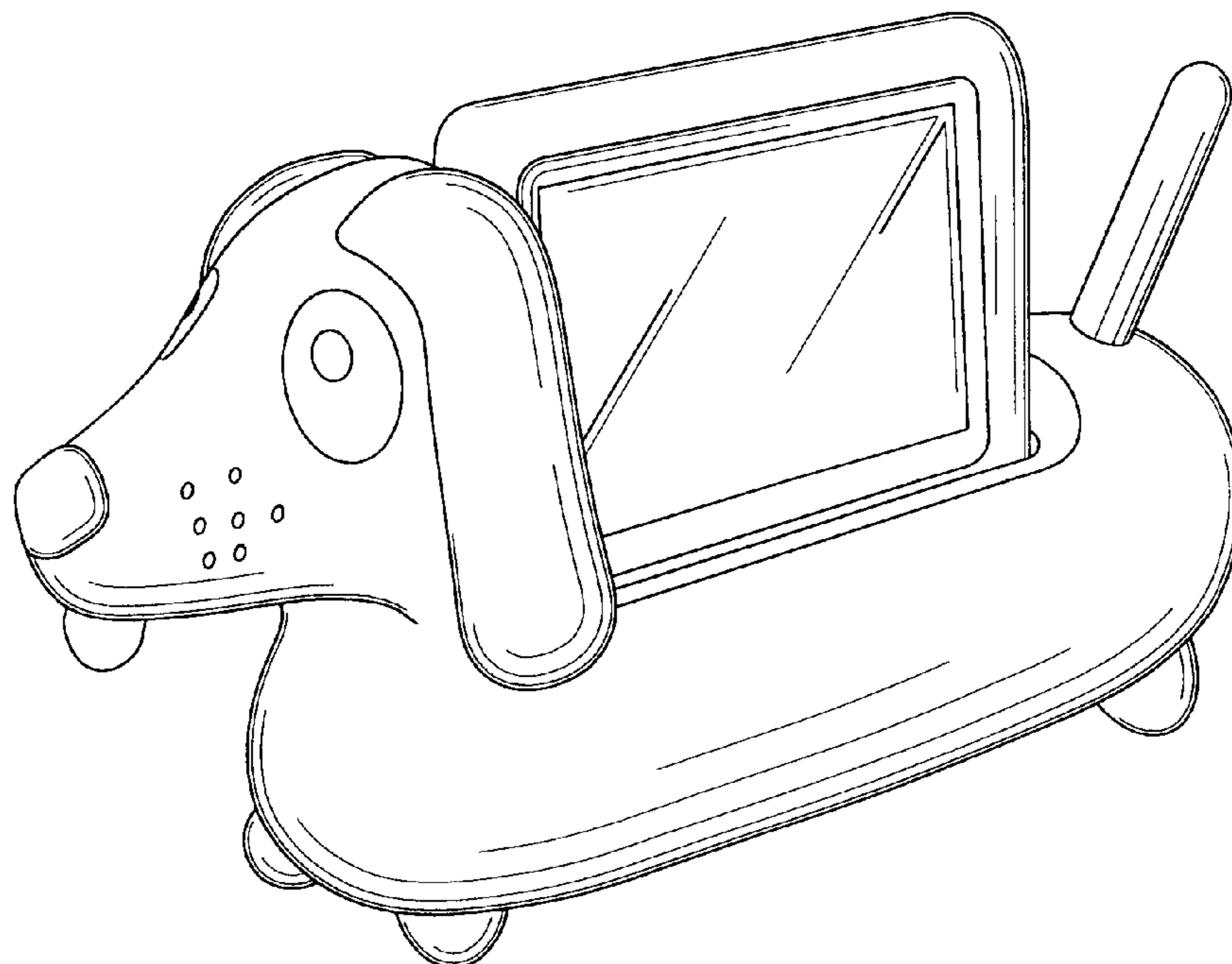
(57) **CLAIM**

The ornamental design for a television set, as shown and described.

DESCRIPTION

FIG. 1 is a perspective view of a television set showing our new design;
FIG. 2 is a front view thereof;
FIG. 3 is a rear view thereof;
FIG. 4 is a left view thereof;
FIG. 5 is a right view thereof;
FIG. 6 is a top view thereof; and,
FIG. 7 is a bottom view thereof.

1 Claim, 5 Drawing Sheets



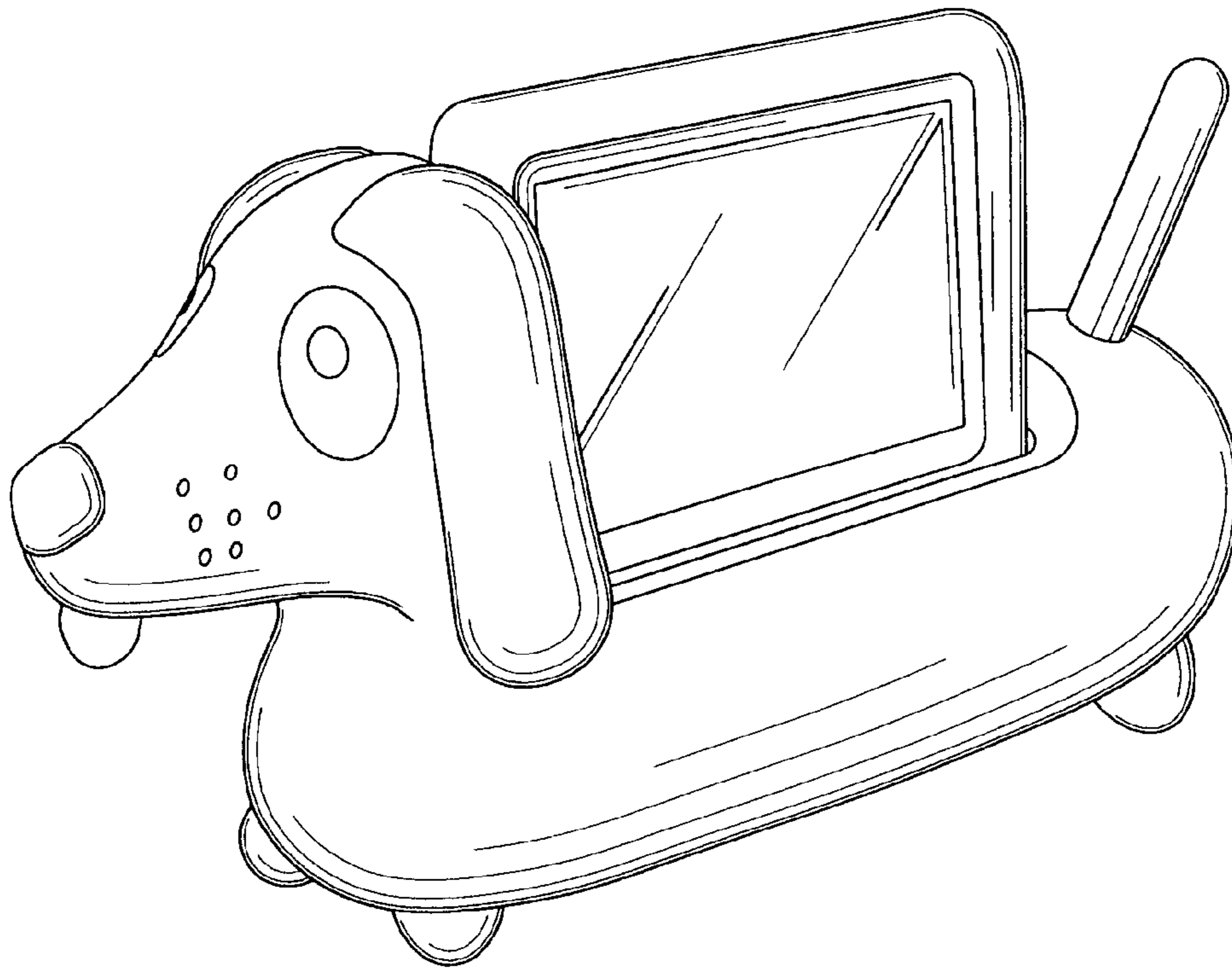


FIG. 1

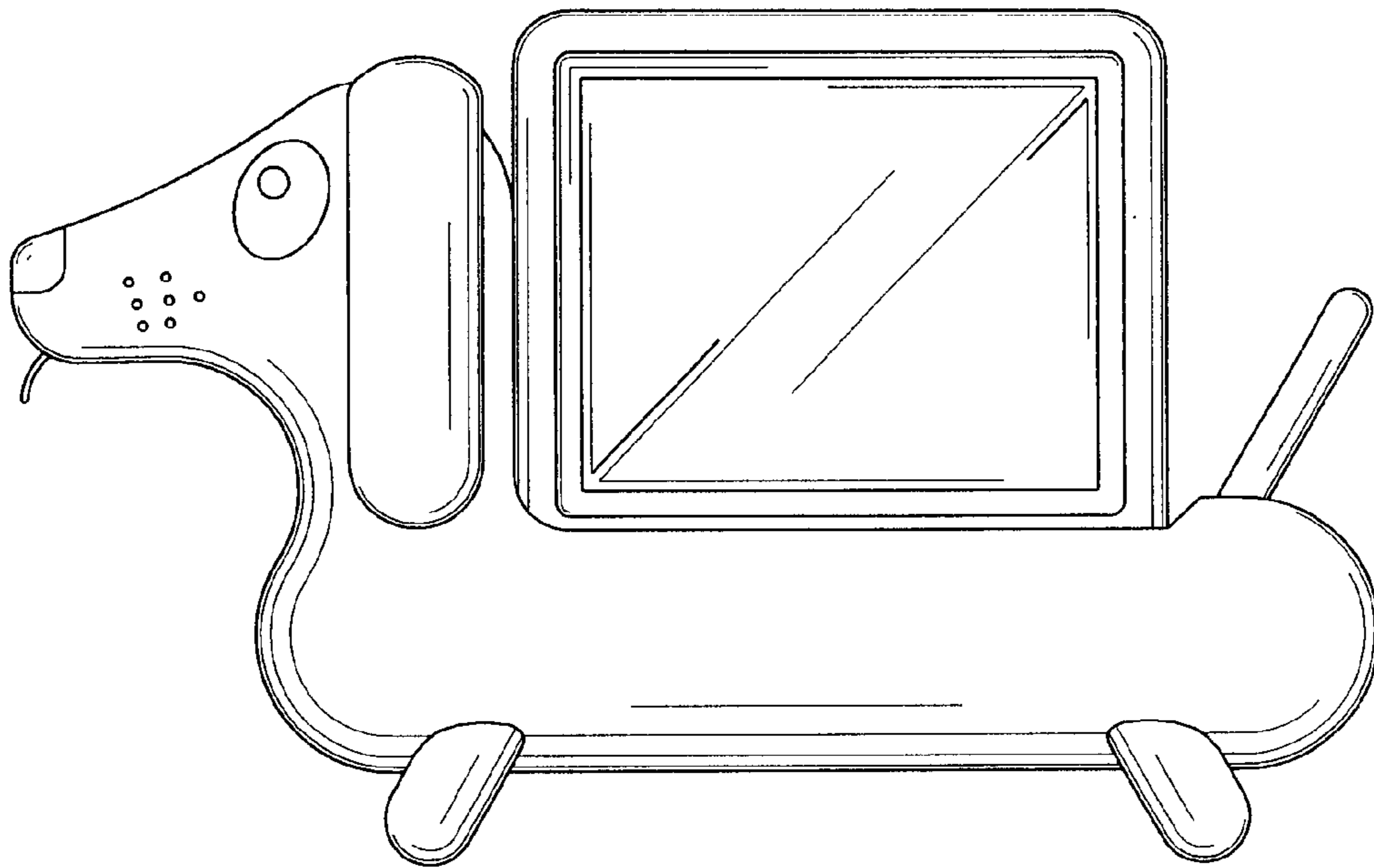


FIG. 2

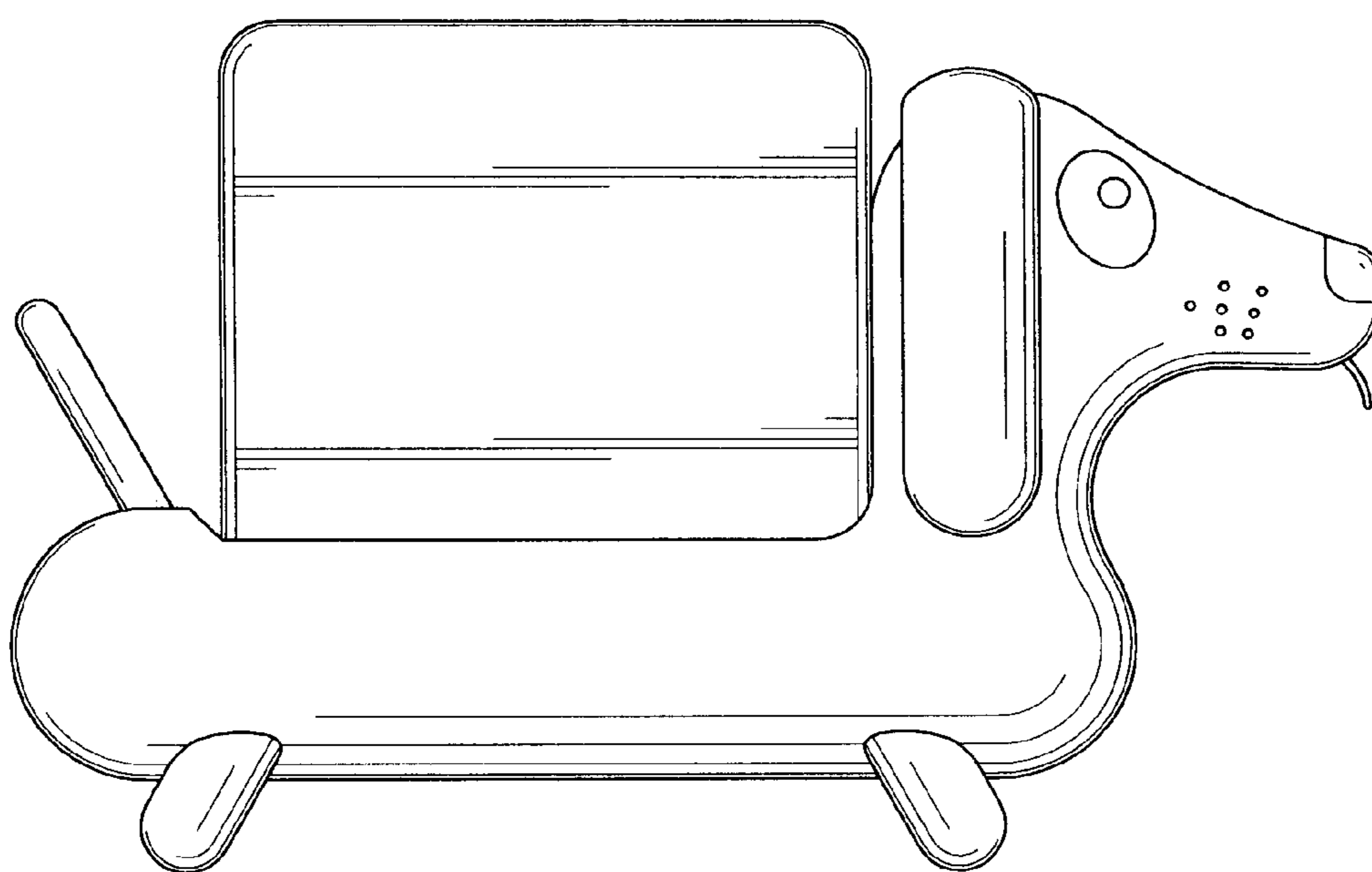


FIG. 3

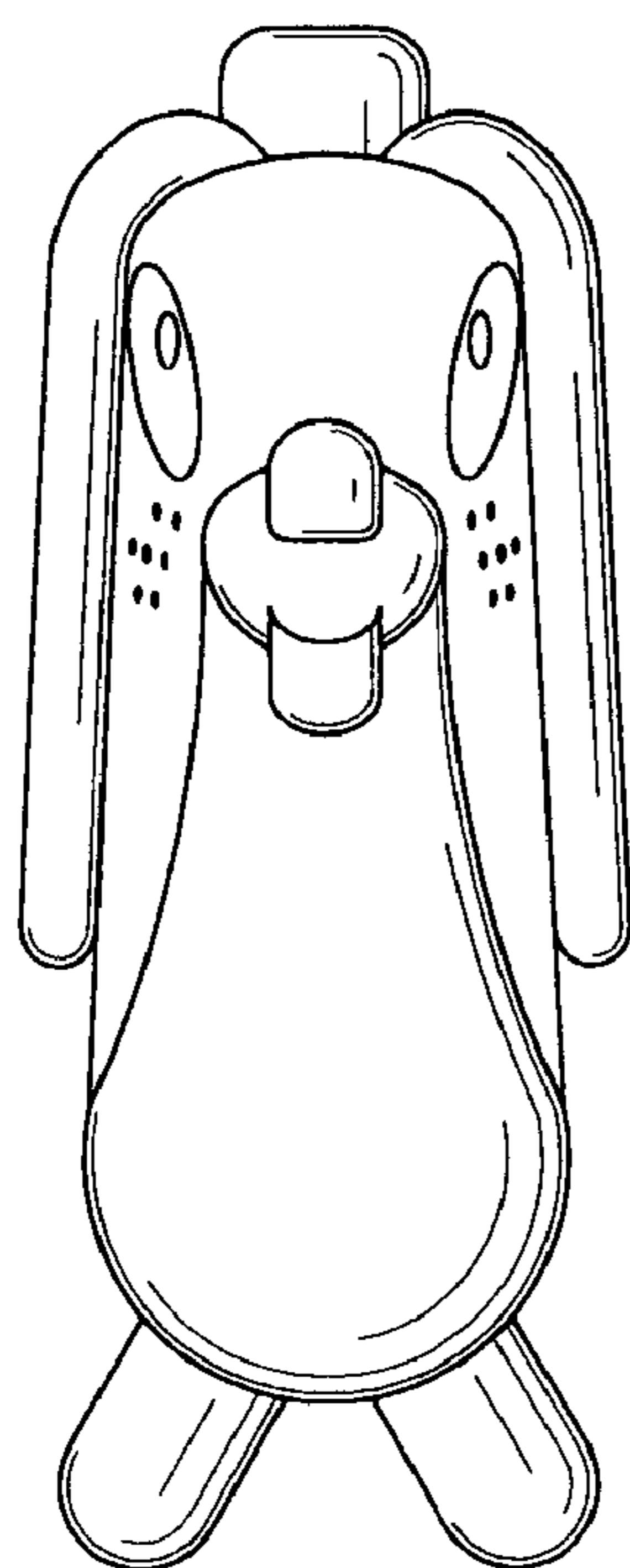


FIG. 4

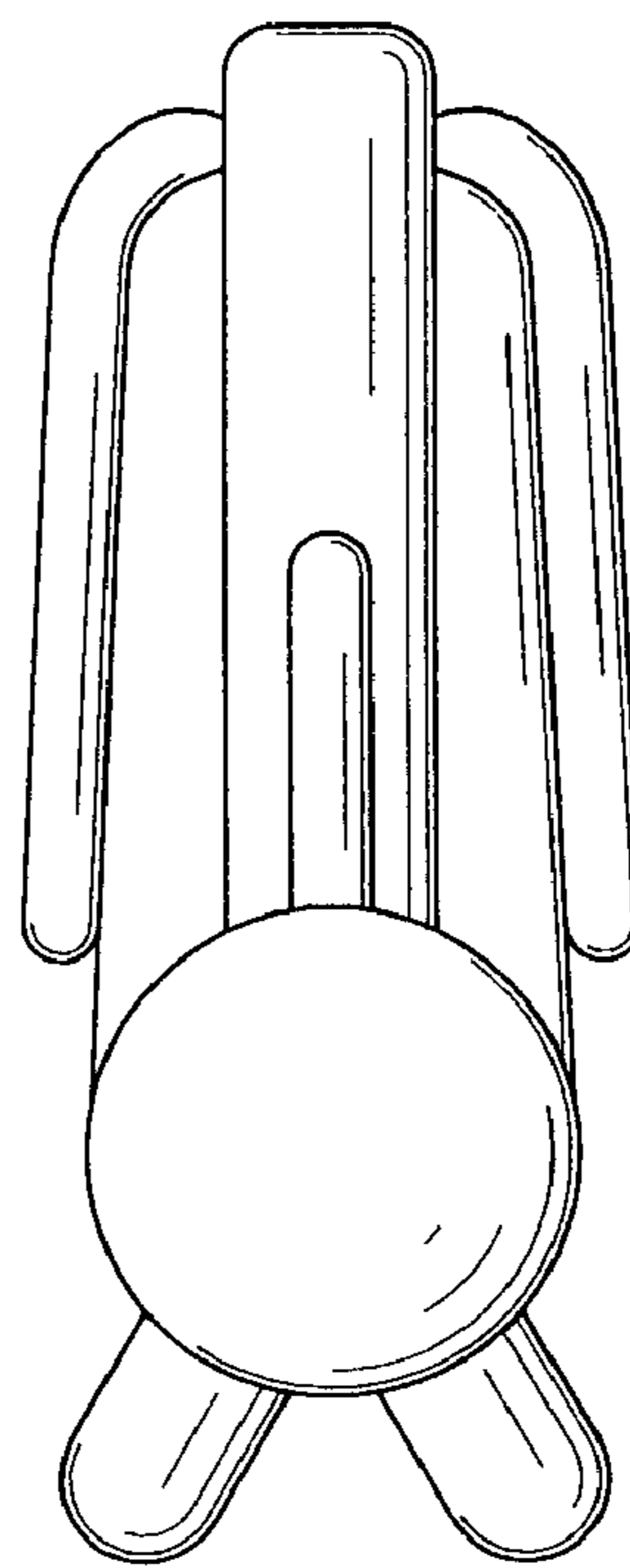


FIG. 5

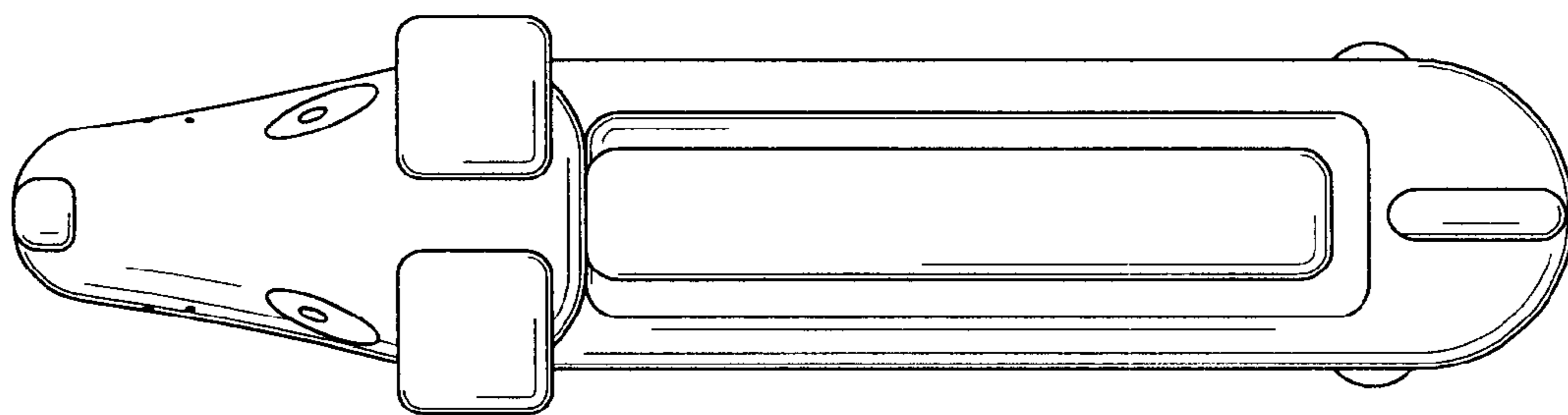


FIG. 6

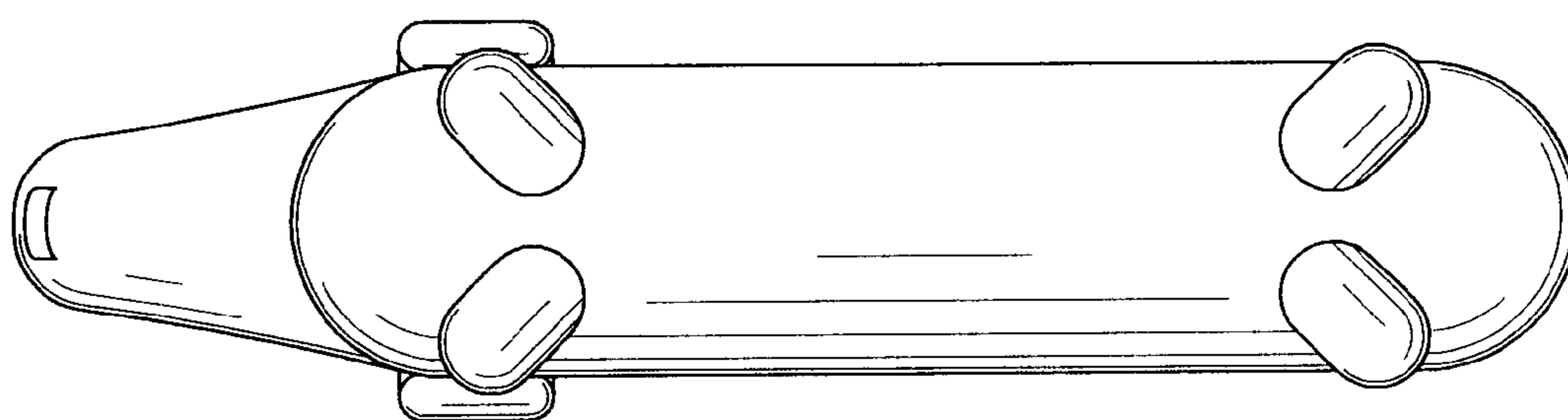


FIG. 7