

US00D519952S

(12) **United States Design Patent**
Hoehn et al.

(10) **Patent No.: US D519,952 S**

(45) **Date of Patent: ** May 2, 2006**

(54) **TELEVISION SET**

D473,865 S * 4/2003 Zuege et al. D14/371
D473,866 S * 4/2003 Zuege et al. D14/371

(75) Inventors: **Holger Hoehn**, Taipei (TW); **Reinier Bloem**, Taipei (TW)

OTHER PUBLICATIONS

(73) Assignee: **Hannspree Inc.**, Taipei (TW)

Lego catalog, p. 38, 1997.*

(**) Term: **14 Years**

* cited by examiner

(21) Appl. No.: **29/229,400**

Primary Examiner—Raphael Barkai

(22) Filed: **May 6, 2005**

(74) *Attorney, Agent, or Firm*—Thomas, Kayden, Horstemeyer & Risle

(30) **Foreign Application Priority Data**

(57) **CLAIM**

Dec. 17, 2004 (TW) 93307833

The ornamental design for a television set, as shown and described.

(51) **LOC (8) Cl.** **14-03**

DESCRIPTION

(52) **U.S. Cl.** **D14/126; D14/129**

(58) **Field of Classification Search** D14/125–134,
D14/239, 371, 136, 374–377; 312/7.2; 348/836,
348/838, 180, 184, 325, 739; 341/12; 248/917–924,
248/465; 345/104, 133, 156, 168, 87, 173;
720/605, 669, 600, 655; 369/99, 197; 455/344–347
See application file for complete search history.

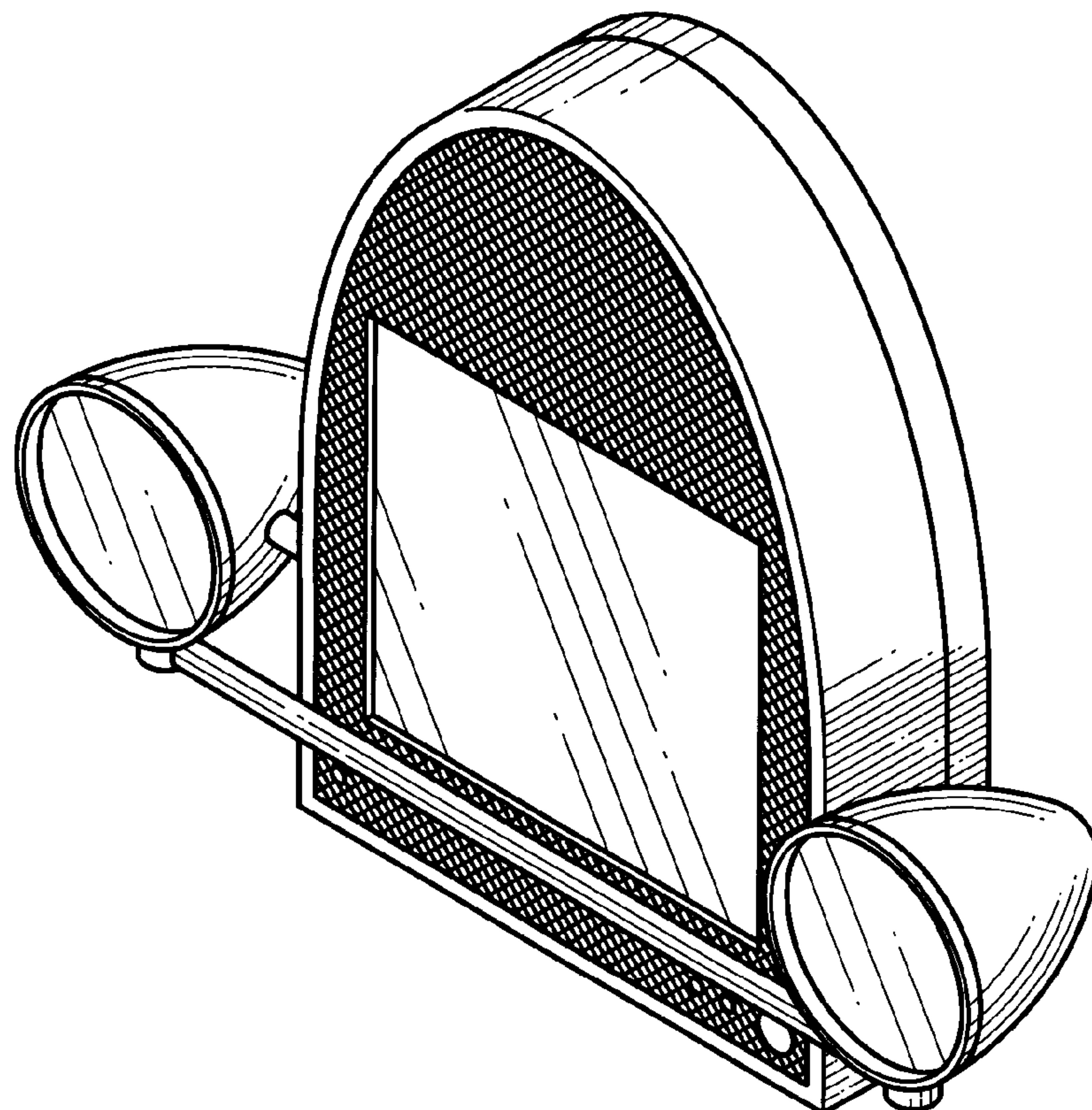
FIG. 1 is a front perspective view thereof;
FIG. 2 is a front elevational view thereof;
FIG. 3 is a rear elevational view thereof;
FIG. 4 is a left side elevational view thereof;
FIG. 5 is a right side elevational view thereof;
FIG. 6 is a top plan view thereof; and,
FIG. 7 is a bottom plan view thereof.

(56) **References Cited**

U.S. PATENT DOCUMENTS

D464,087 S * 10/2002 Wu D21/433

1 Claim, 6 Drawing Sheets



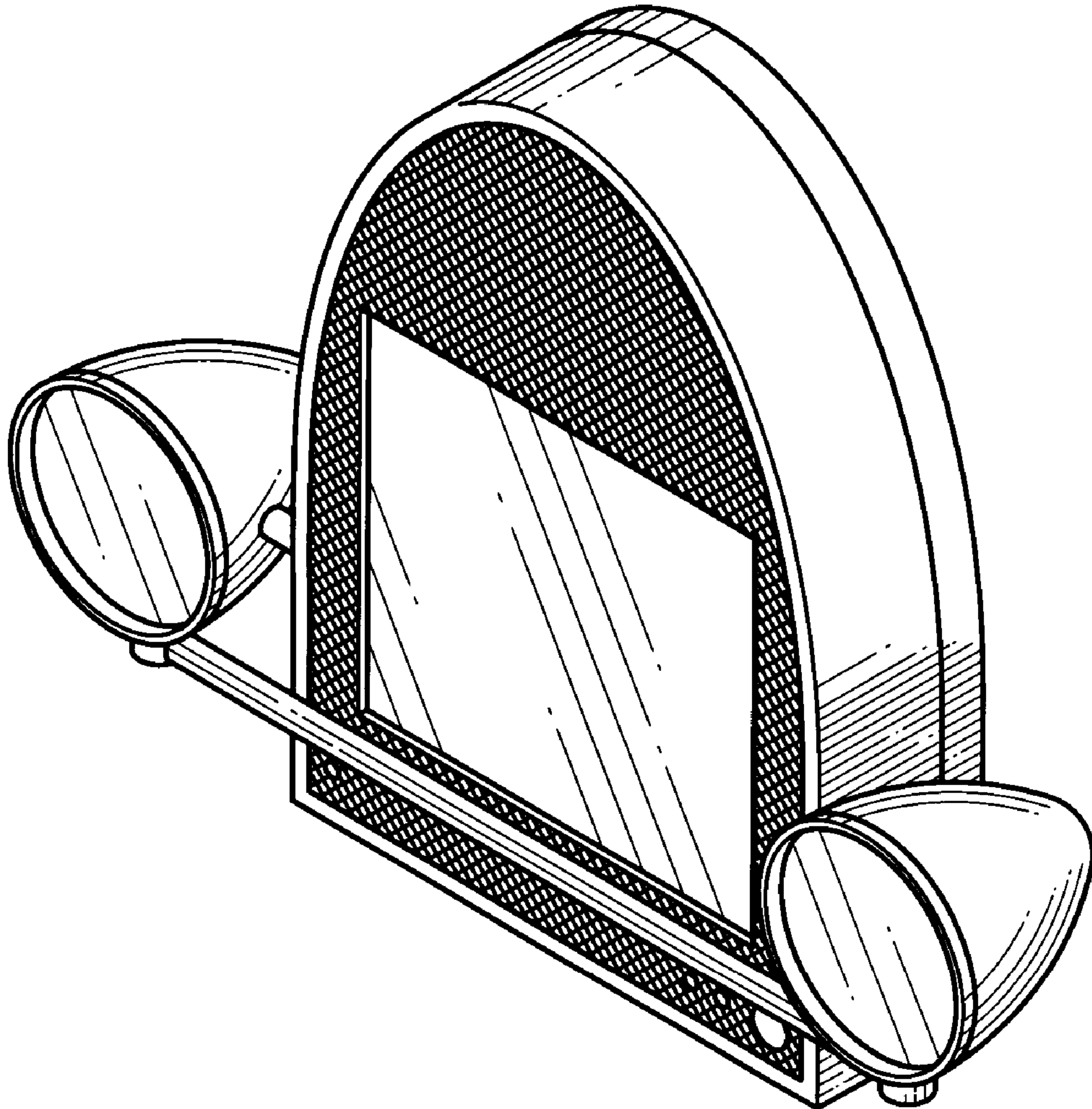


FIG. 1

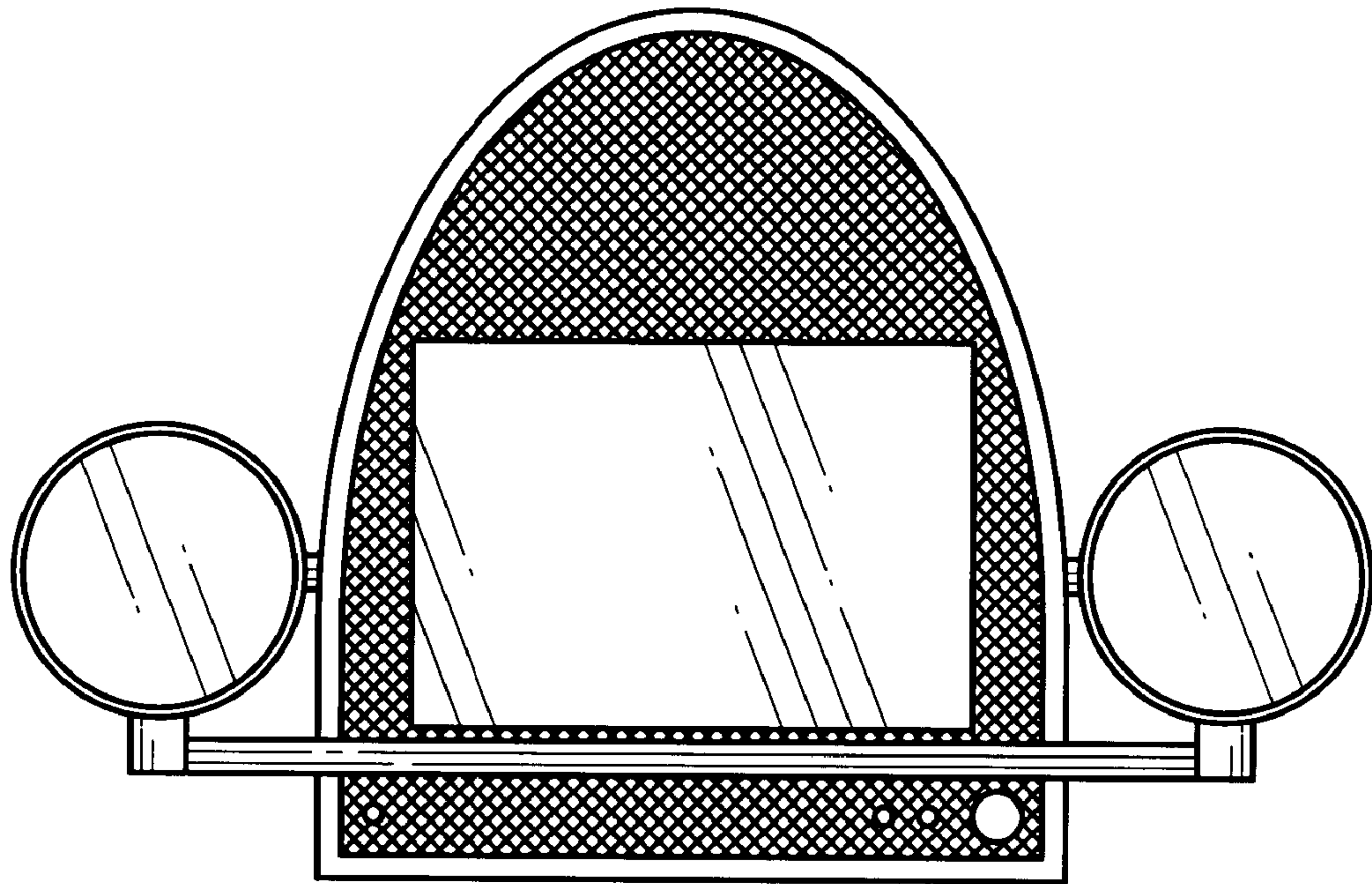


FIG. 2

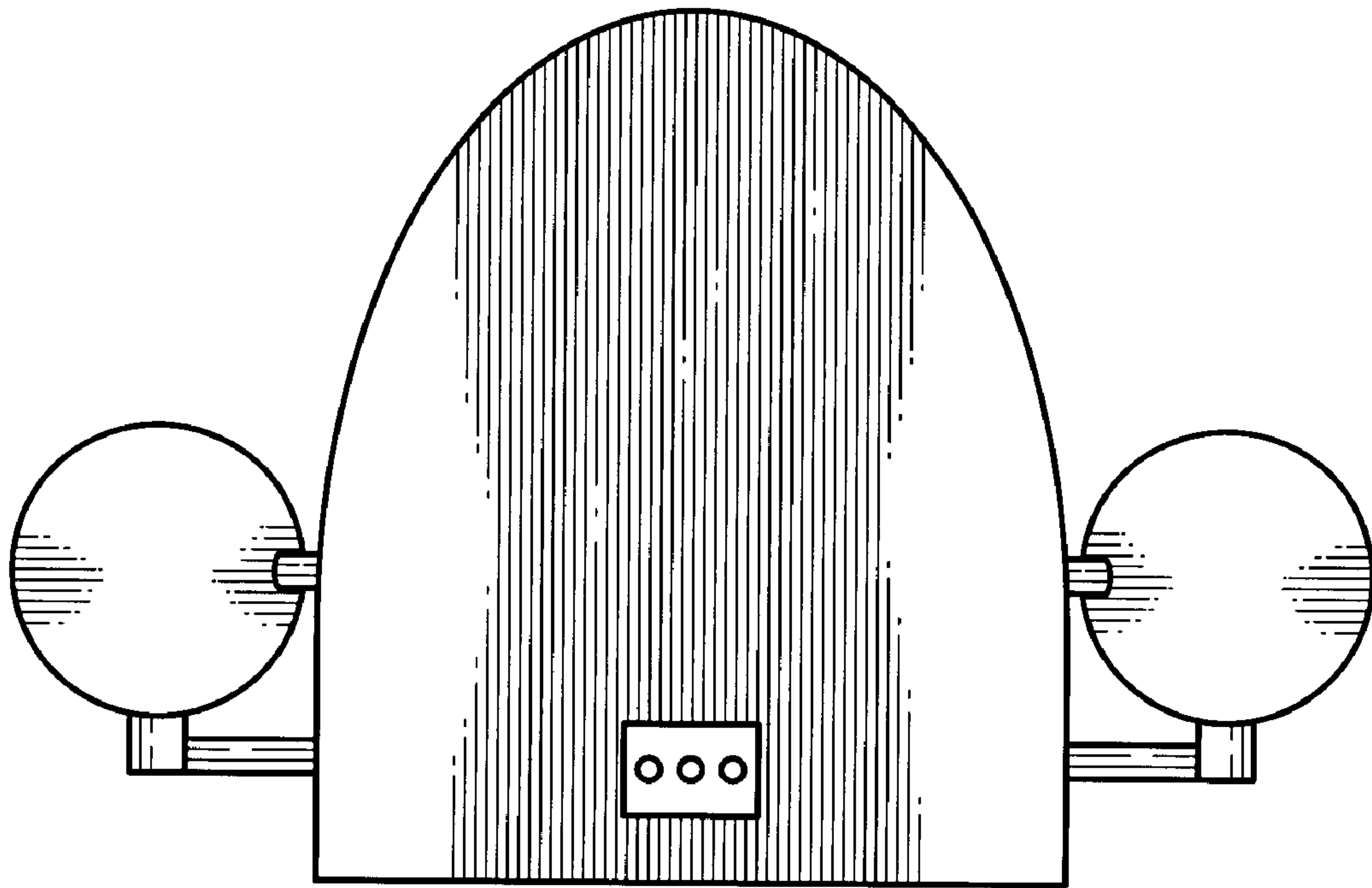


FIG. 3

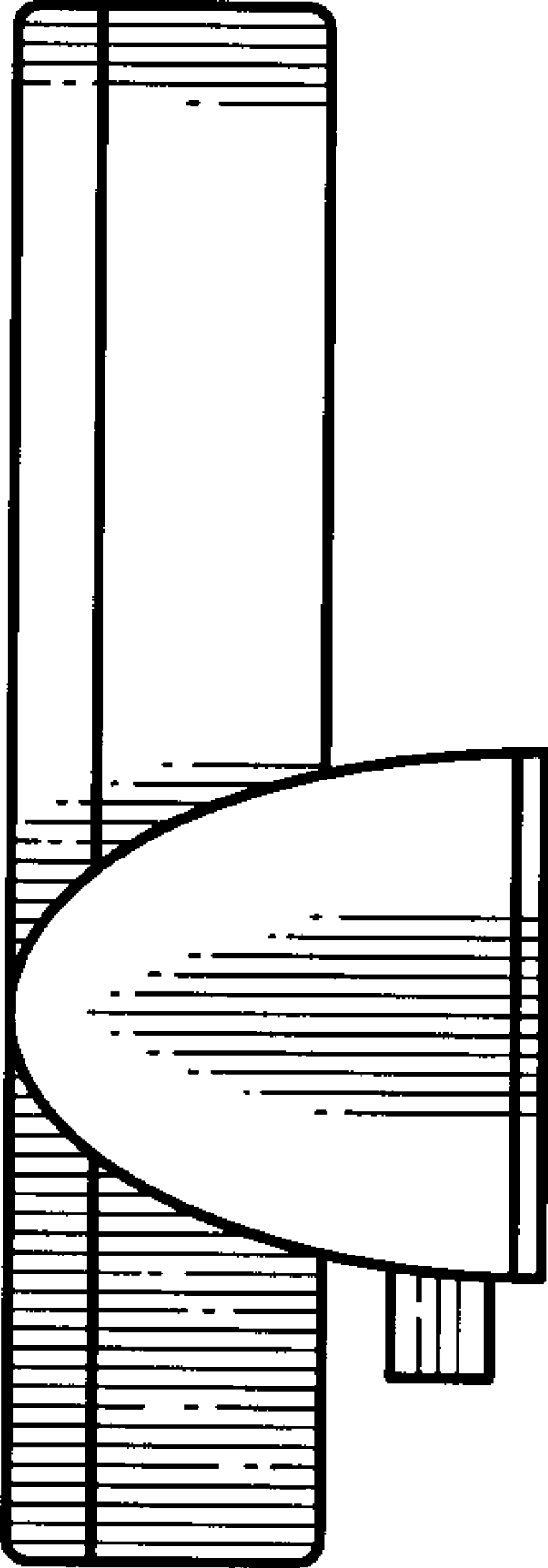


FIG. 4

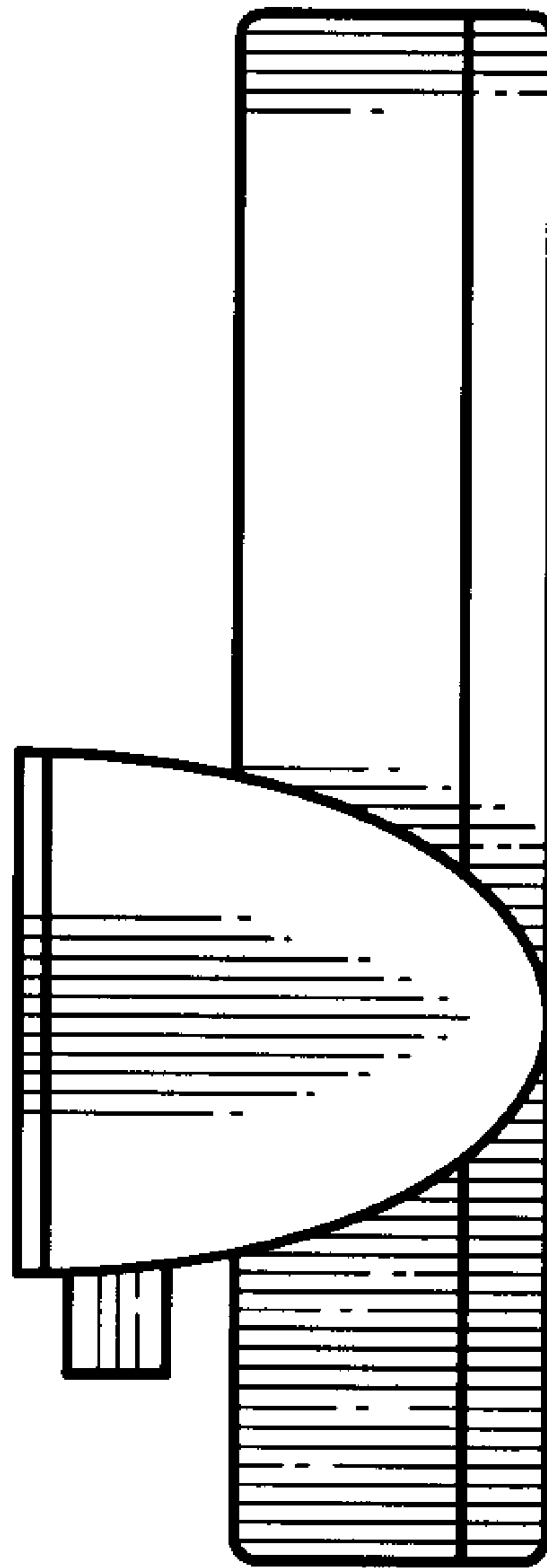


FIG. 5

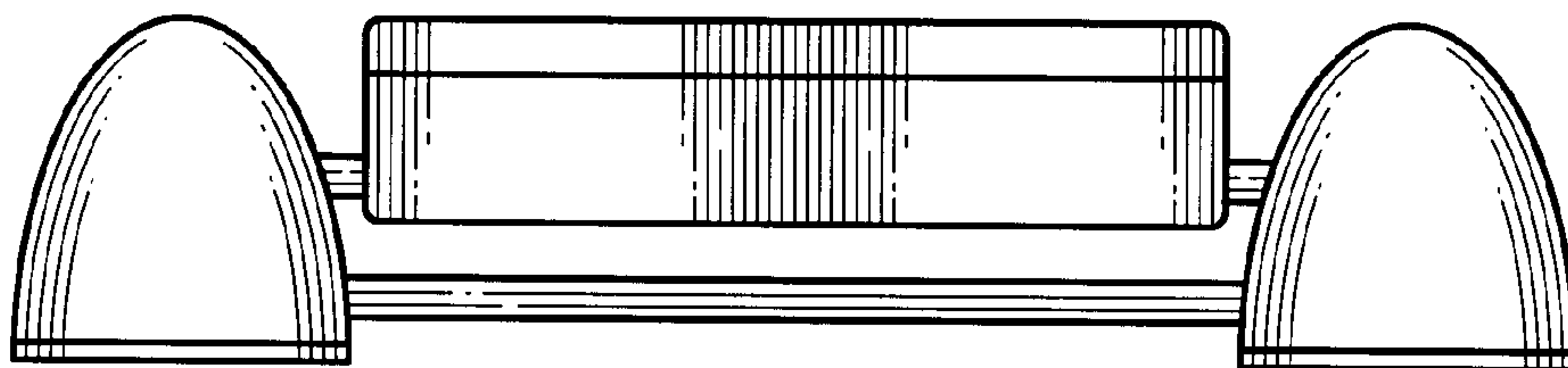


FIG. 6

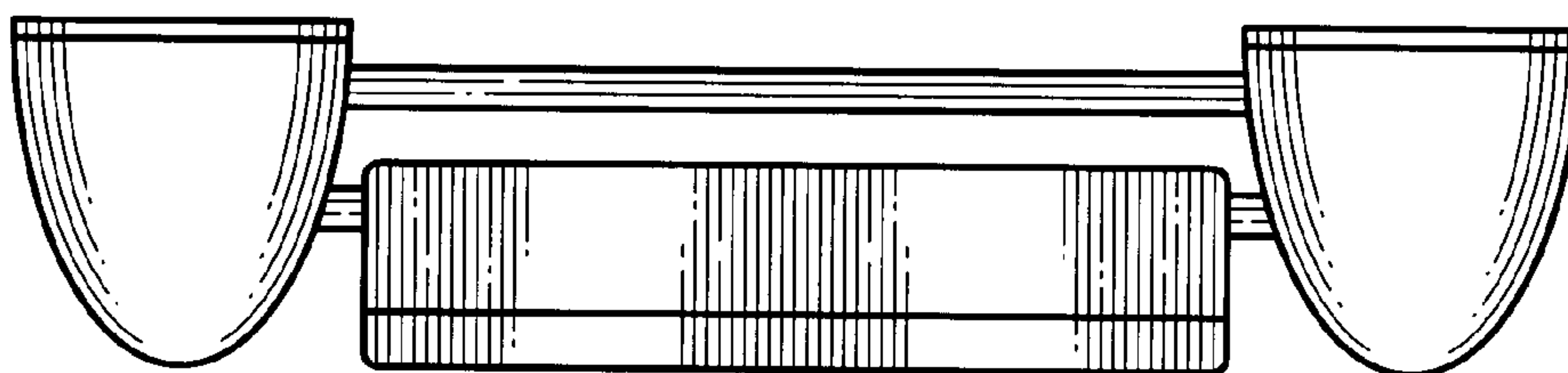


FIG. 7