



US00D519943S

(12) **United States Design Patent**
Kamada

(10) **Patent No.:** **US D519,943 S**
(45) **Date of Patent:** **** May 2, 2006**

- (54) **LIGHT EMITTING DIODE**
- (75) Inventor: **Kazuhiro Kamada**, Tokushima-ken (JP)
- (73) Assignee: **Nichia Corporation**, Anan (JP)
- (**) Term: **14 Years**
- (21) Appl. No.: **29/236,523**
- (22) Filed: **Aug. 18, 2005**

- 4,127,792 A 11/1978 Nakata
- 5,226,053 A 7/1993 Cho et al.
- 5,534,718 A 7/1996 Chang
- RE36,614 E 3/2000 Lumbard et al.
- D432,095 S 10/2000 Seeger et al.
- 6,174,070 B1 1/2001 Takamura et al.
- D437,798 S 2/2001 Kiba et al.
- D439,351 S 3/2001 Kiba et al.
- 6,386,733 B1 5/2002 Ohkohdo et al.
- 6,450,663 B1 9/2002 Reinbach
- D477,579 S 7/2003 Suenaga
- 6,610,563 B1 8/2003 Waitl et al.

Related U.S. Application Data

- (62) Division of application No. 29/218,477, filed on Dec. 3, 2004, which is a division of application No. 29/186,594, filed on Jul. 21, 2003, now Pat. No. Des. 499,384, which is a division of application No. 29/163,058, filed on Jun. 27, 2002, now Pat. No. Des. 482,337.

(30) **Foreign Application Priority Data**

- Dec. 28, 2001 (JP) 2001-038909
- Dec. 28, 2001 (JP) 2001-038910
- Dec. 28, 2001 (JP) 2001-038911
- Dec. 28, 2001 (JP) 2001-038912
- Dec. 28, 2001 (JP) 2001-038913
- Dec. 28, 2001 (JP) 2001-038914
- Dec. 28, 2001 (JP) 2001-038915
- Dec. 28, 2001 (JP) 2001-038916
- Dec. 28, 2001 (JP) 2001-038917
- Dec. 28, 2001 (JP) 2001-038918

- (51) **LOC (8) Cl.** **13-03**
- (52) **U.S. Cl.** **D13/180**
- (58) **Field of Classification Search** D13/180,
D13/182; D10/104, 114; 257/76, 79, 88,
257/89, 93, 99, 434, 676, 678, 687, 690,
257/698; 313/498, 499, 500; 372/45; 361/760,
361/820; 362/226, 241, 249, 250, 307, 555,
362/800
See application file for complete search history.

(56) **References Cited**

U.S. PATENT DOCUMENTS

- 3,783,353 A 1/1974 Pankove

FOREIGN PATENT DOCUMENTS

- JP D1095890 S 1/2001
- JP D1095891 S 1/2001
- JP D1106536 S 4/2001
- JP D1106839 S 4/2001
- JP D1106840 S 4/2001

OTHER PUBLICATIONS

Surface Mount Type LED—Light Emitting Diode—, Product Guide, May 2001, 6 pages, Cat. No. 01055K, Nichia Corporation, Japan.

Primary Examiner—Stella Reid
Assistant Examiner—Selina Sikder
(74) *Attorney, Agent, or Firm*—Smith Patent Office

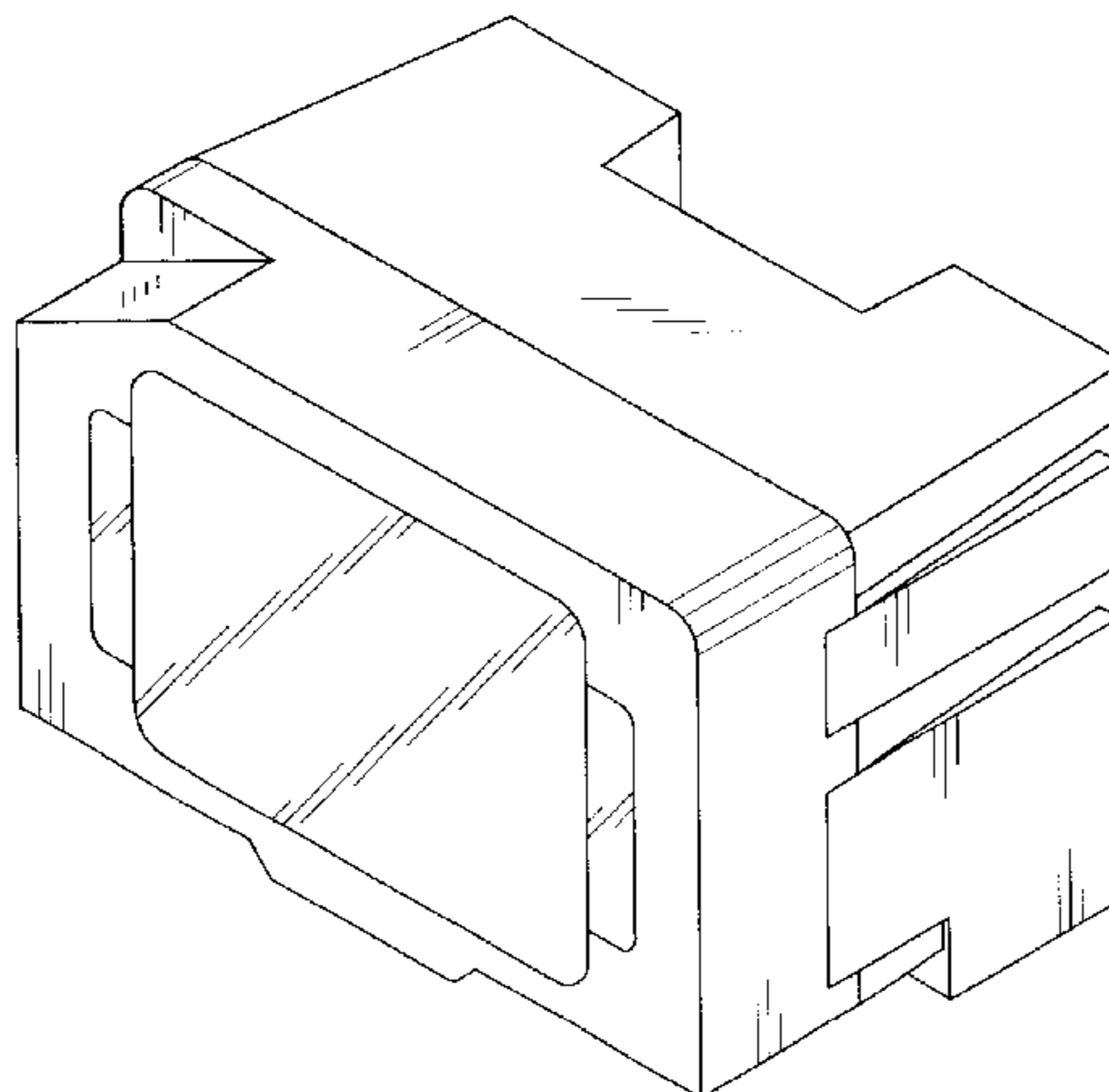
(57) **CLAIM**

I claim the ornamental design for the light emitting diode, as shown and described.

DESCRIPTION

FIG. 1 is a perspective view of a light emitting diode showing my new design;
FIG. 2 is a top plan view thereof;
FIG. 3 is a left side elevation view thereof;
FIG. 4 is a front elevation view thereof;
FIG. 5 is a right side elevation view thereof;
FIG. 6 is a bottom plan view thereof; and,
FIG. 7 is a rear elevation view thereof.

1 Claim, 2 Drawing Sheets



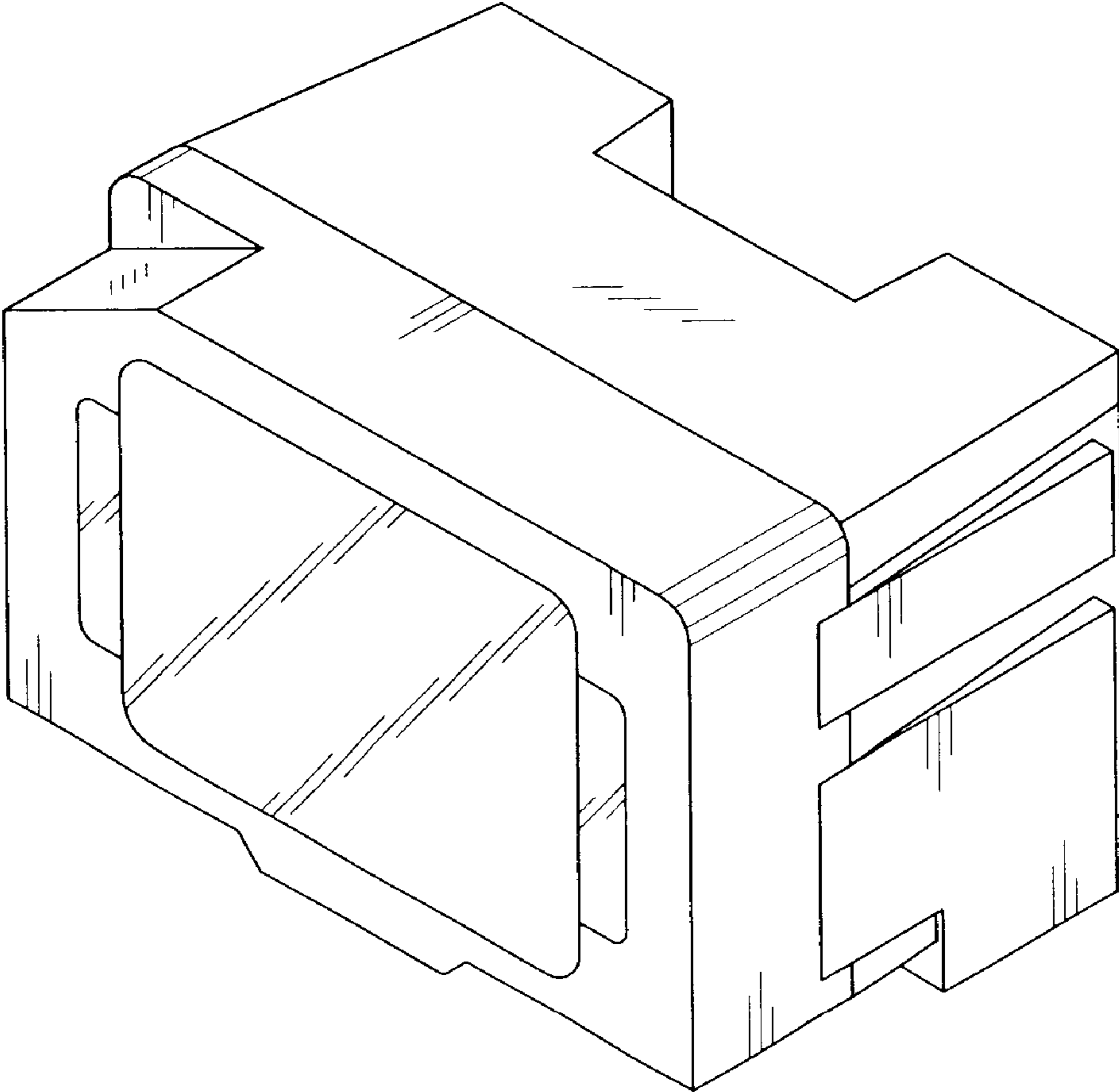


FIG. 1

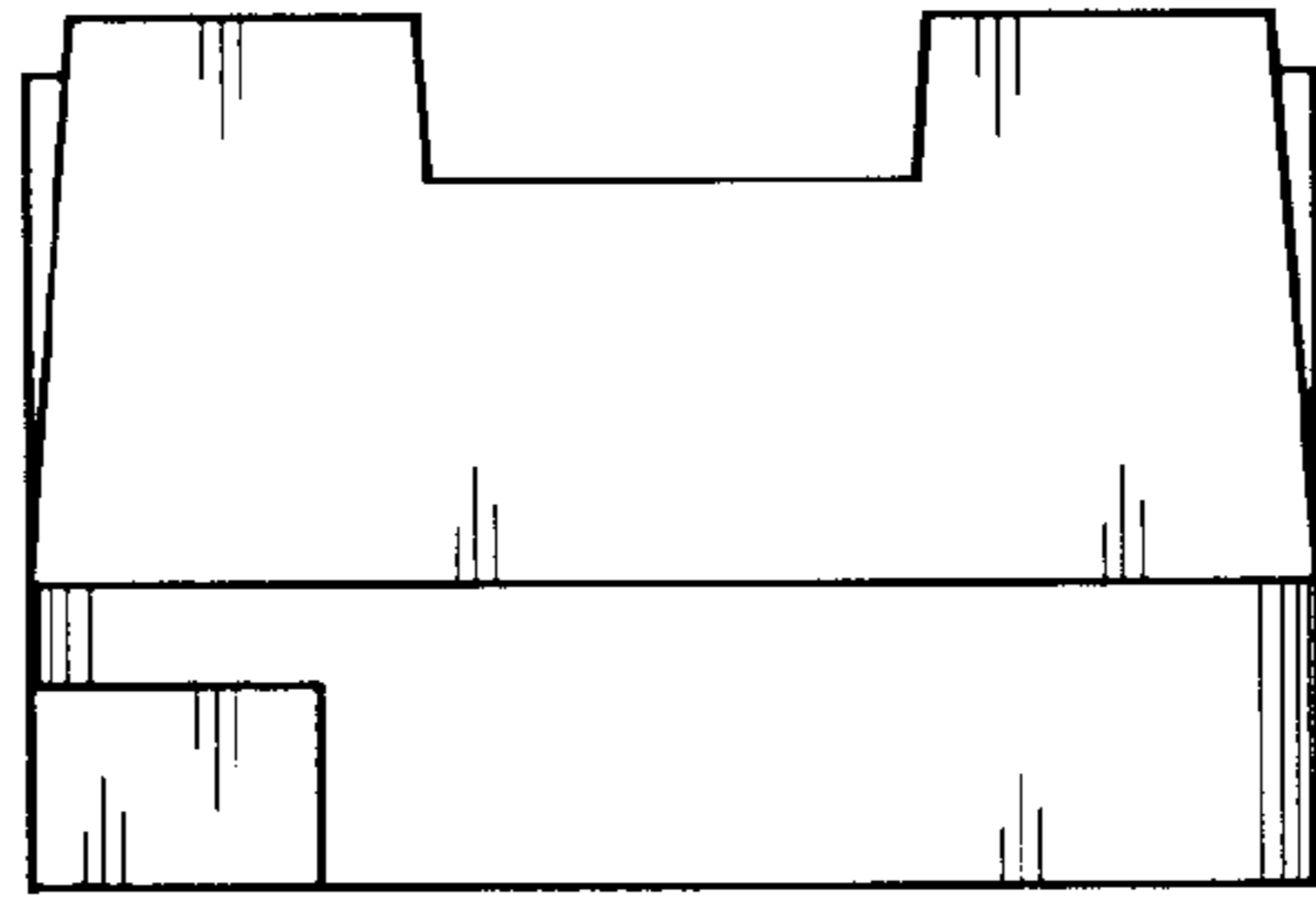


FIG. 2

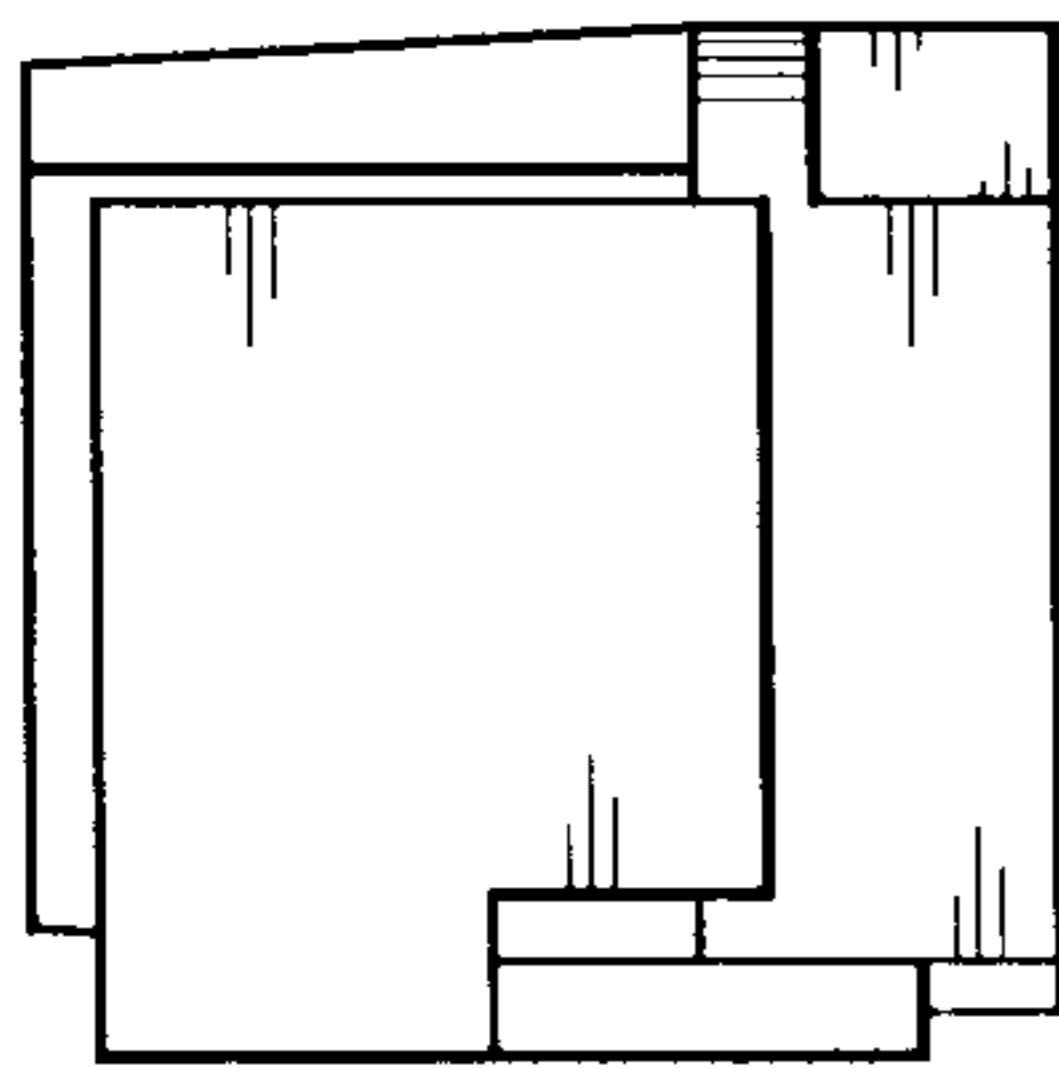


FIG. 3

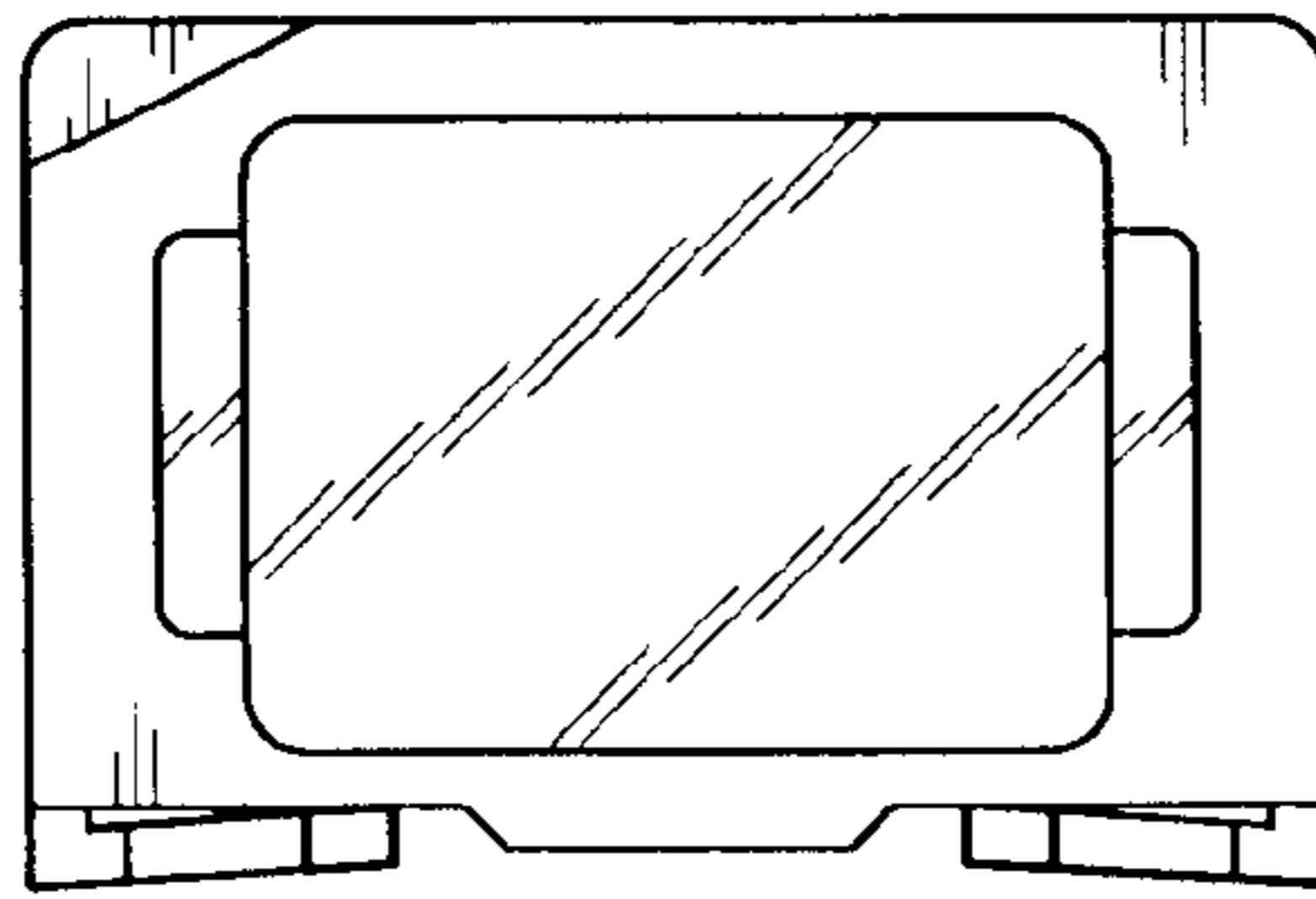


FIG. 4

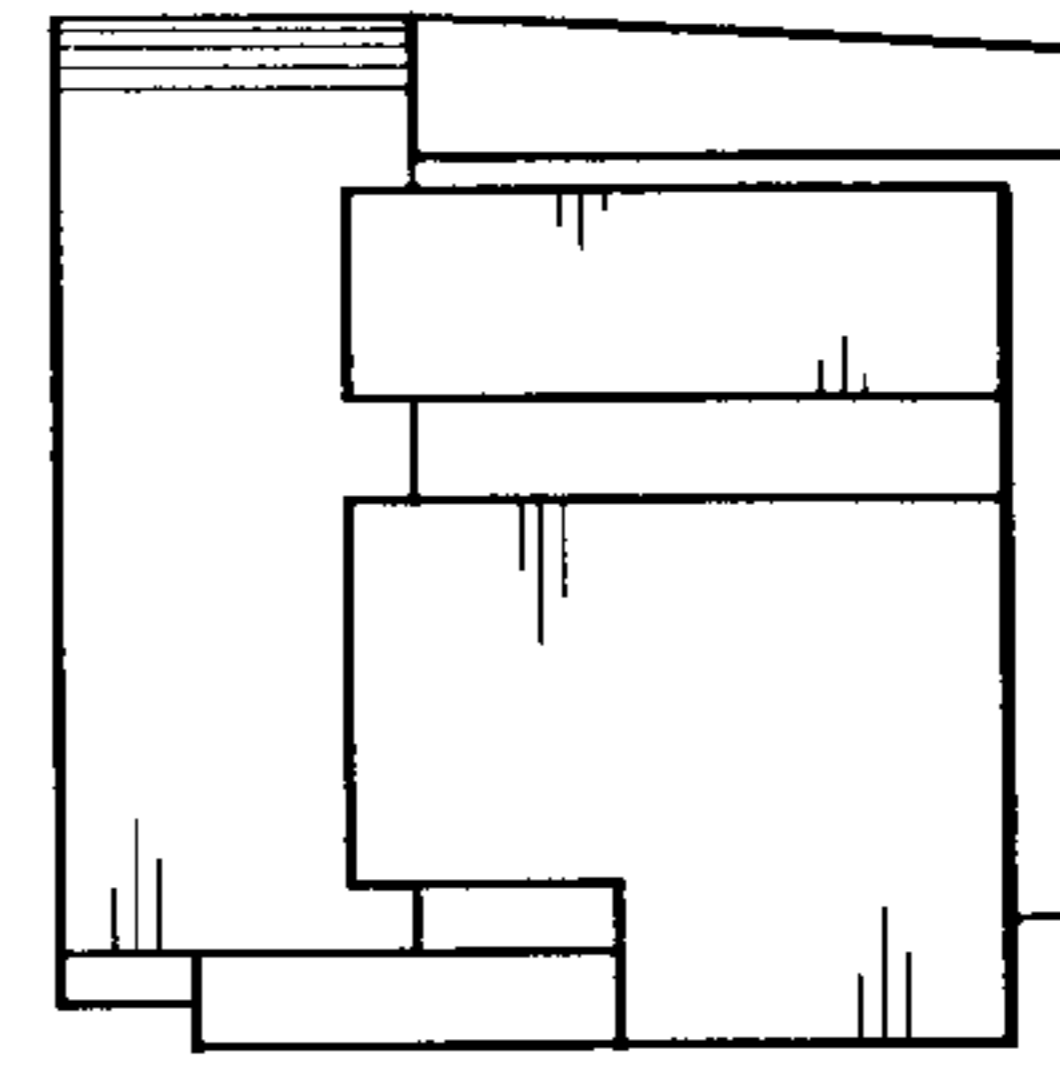


FIG. 5

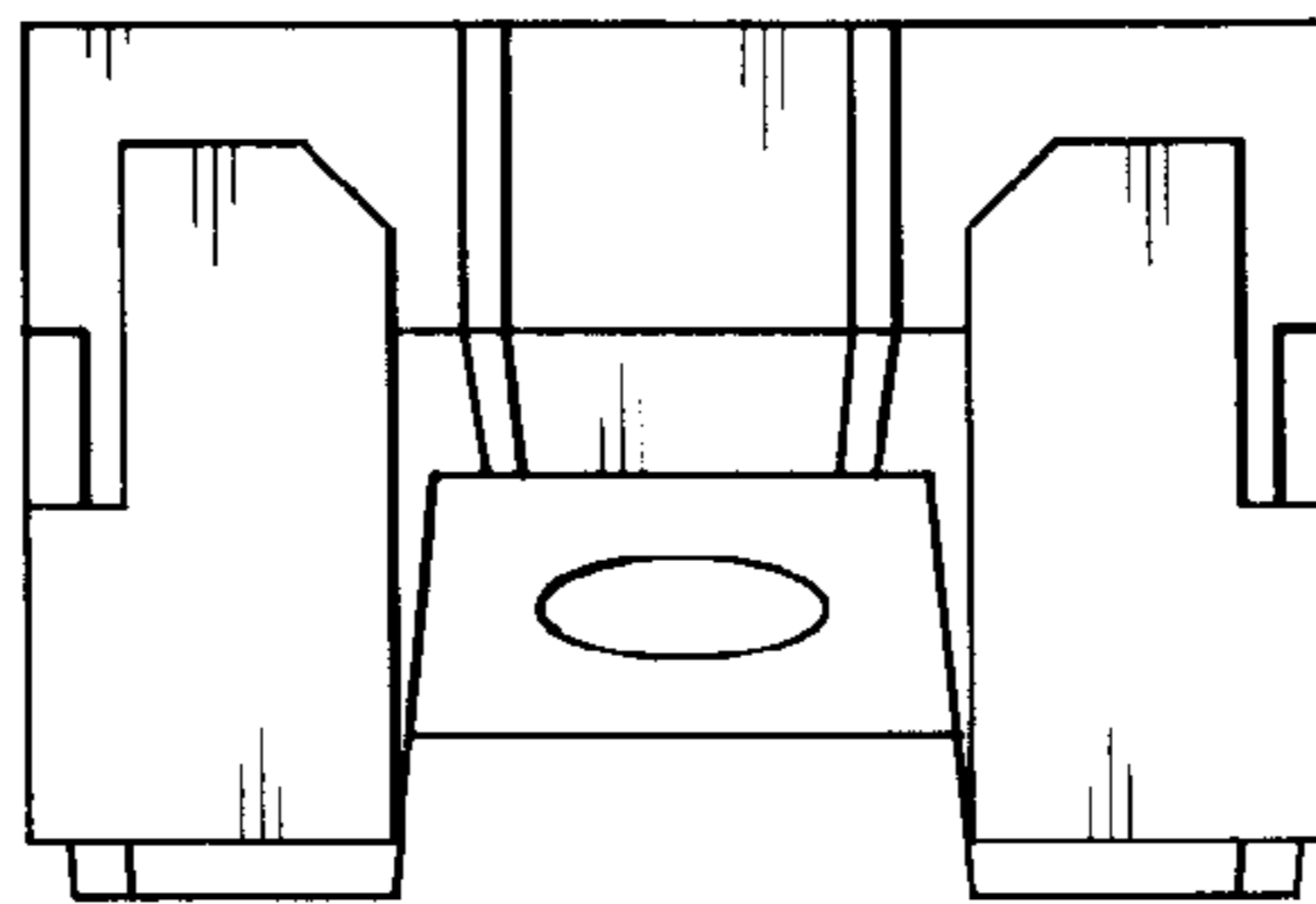


FIG. 6

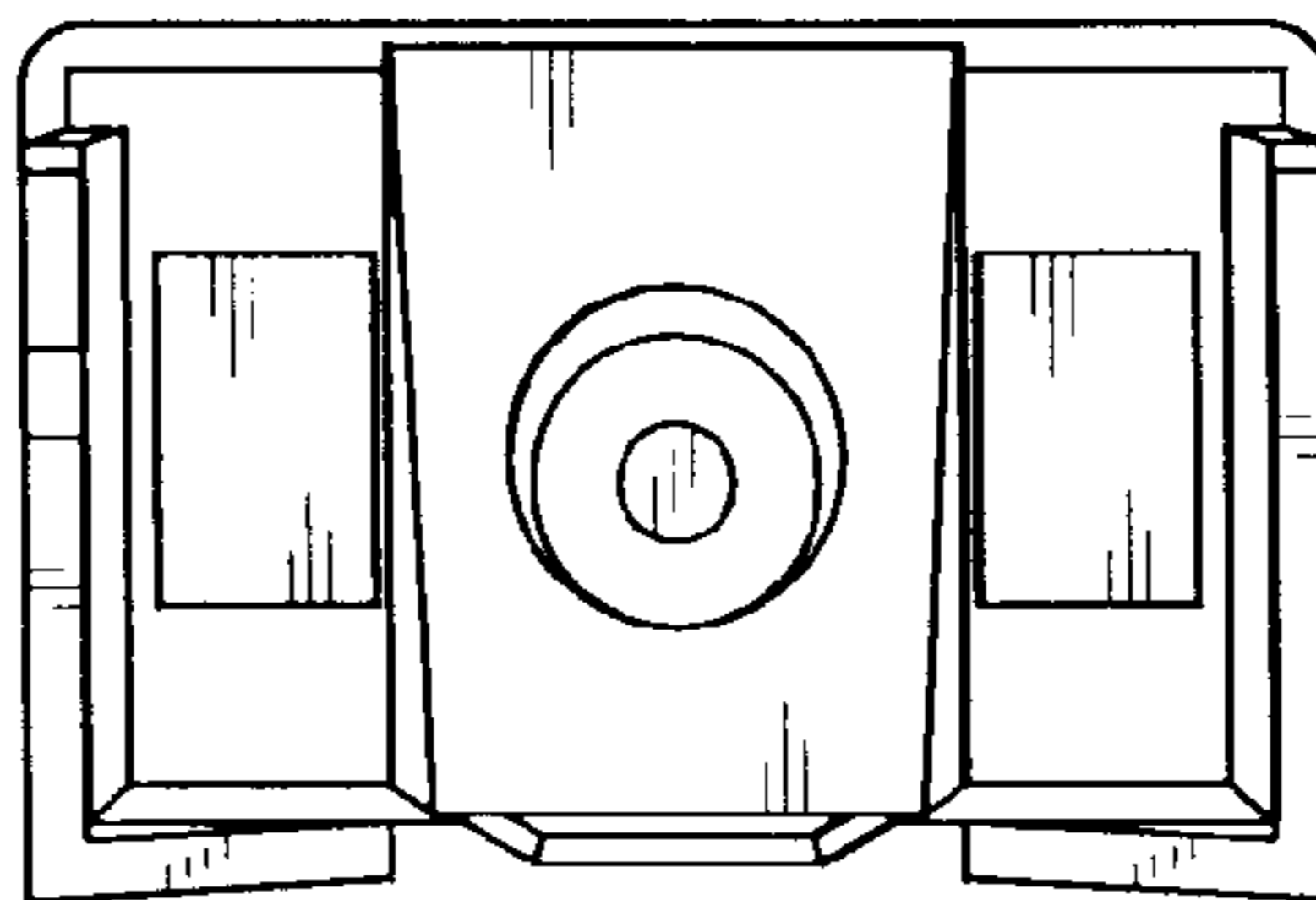


FIG. 7