



US00D519938S

(12) **United States Design Patent**  
**Laurent et al.**

(10) **Patent No.:** **US D519,938 S**

(45) **Date of Patent:** **\*\* May 2, 2006**

(54) **GROUND FAULT CIRCUIT INTERRUPTER HAVING REMOTE TEST AND RESET**

(75) Inventors: **Maxim Laurent**, Brooklyn, NY (US);  
**Gaetano Bonasia**, Bronx, NY (US);  
**James Richter**, Bethpage, NY (US)

(73) Assignee: **Leviton Manufacturing Co., Inc.**,  
Little Neck, NY (US)

(\*\*) Term: **14 Years**

(21) Appl. No.: **29/218,265**

(22) Filed: **Nov. 30, 2004**

(51) **LOC (8) Cl.** ..... **13-03**

(52) **U.S. Cl.** ..... **D13/160**

(58) **Field of Classification Search** ..... D13/160;  
70/203; 174/50, 66, 65 R, 67, 70 R, 77 R,  
174/77 S, 92; 200/5 R, 43.11, 43.14, 50.01,  
200/50.15, 293, 293.1, 303, 401; 361/42,  
361/44, 45, 50, 71, 115, 118, 119, 679; 335/68,  
335/132, 202

See application file for complete search history.

(56) **References Cited**

**U.S. PATENT DOCUMENTS**

D313,971 S \* 1/1991 Rosenbaum et al. .... D13/160  
D358,368 S \* 5/1995 Howard et al. .... D13/160

5,661,623 A \* 8/1997 McDonald et al. .... 361/42  
5,684,272 A \* 11/1997 Gernhardt et al. .... 174/65 R  
D391,922 S \* 3/1998 Aromin ..... D13/160  
D418,482 S \* 1/2000 MacKay ..... D13/160  
D451,481 S \* 12/2001 MacKay ..... D13/160

\* cited by examiner

*Primary Examiner*—Stella Reid  
*Assistant Examiner*—Selina Sikder

(74) *Attorney, Agent, or Firm*—Paul J. Sutton, Esq.

(57) **CLAIM**

The ornamental design for a ground fault circuit interrupter having remote test and reset, as shown and described.

**DESCRIPTION**

FIG. 1 is a perspective view illustrating a design for a ground fault circuit interrupter having remote test and reset with the broken lines showing, for illustrative purposes only, connecting wires and a related In-Line ground fault circuit interrupter that are not part of the claimed design;

FIG. 2 is a front view thereof;

FIG. 3 is a top view thereof, which is a mirror image of a bottom view thereof;

FIG. 4 is a left side view thereof;

FIG. 5 is a right side view thereof; and,

FIG. 6 is a rear view thereof.

**1 Claim, 3 Drawing Sheets**

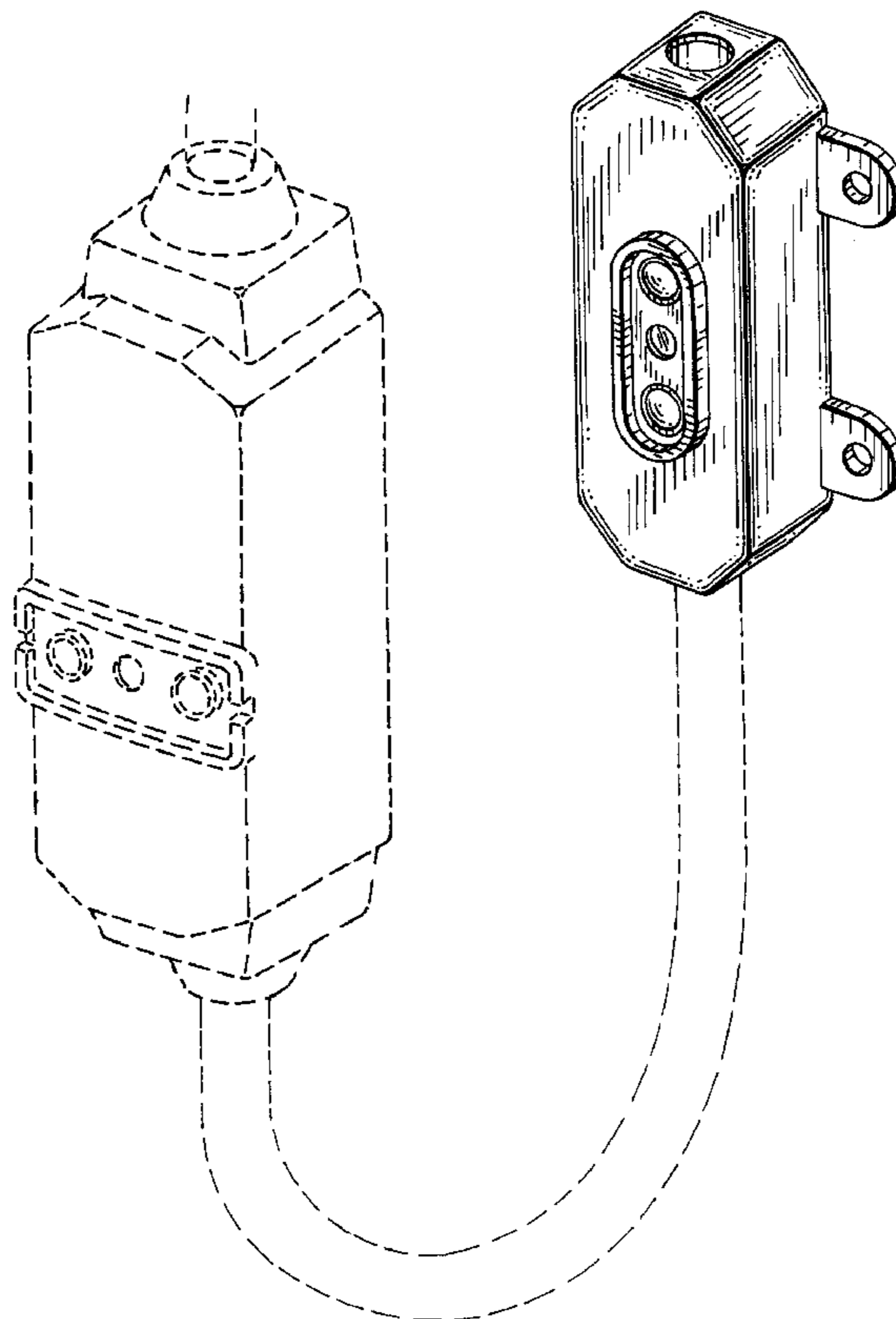
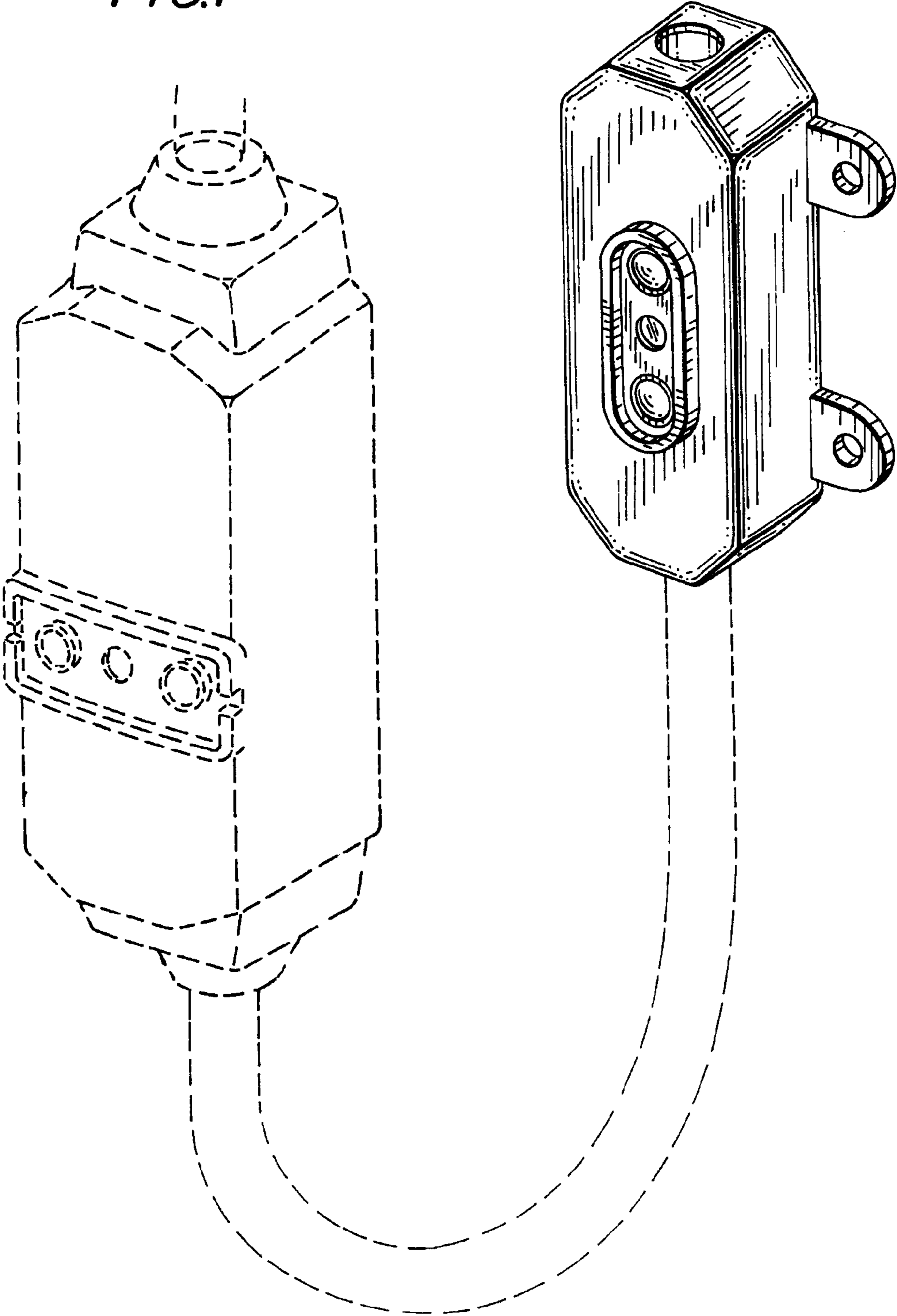
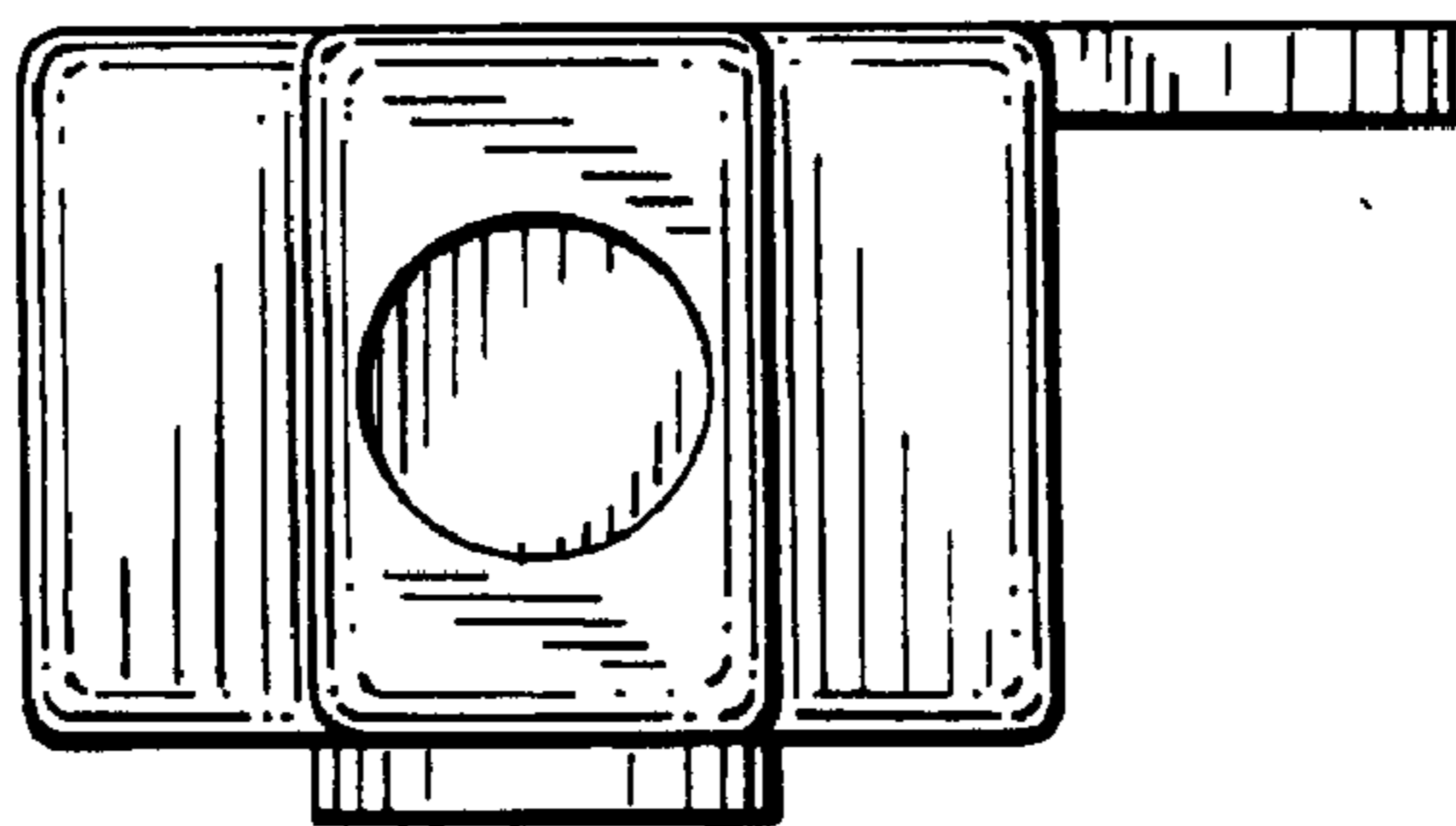
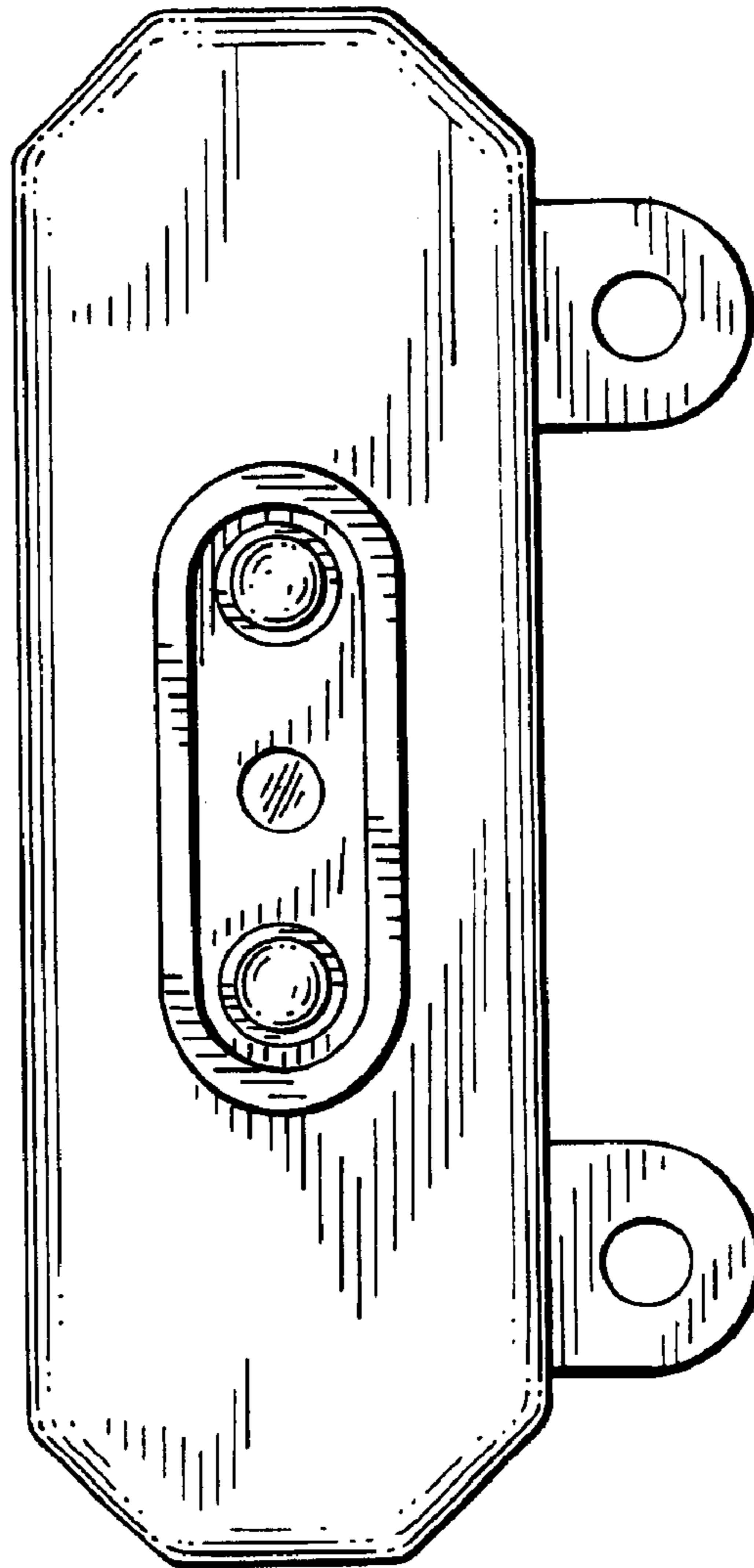


FIG. 1



*FIG. 2*



*FIG. 3*

FIG.4

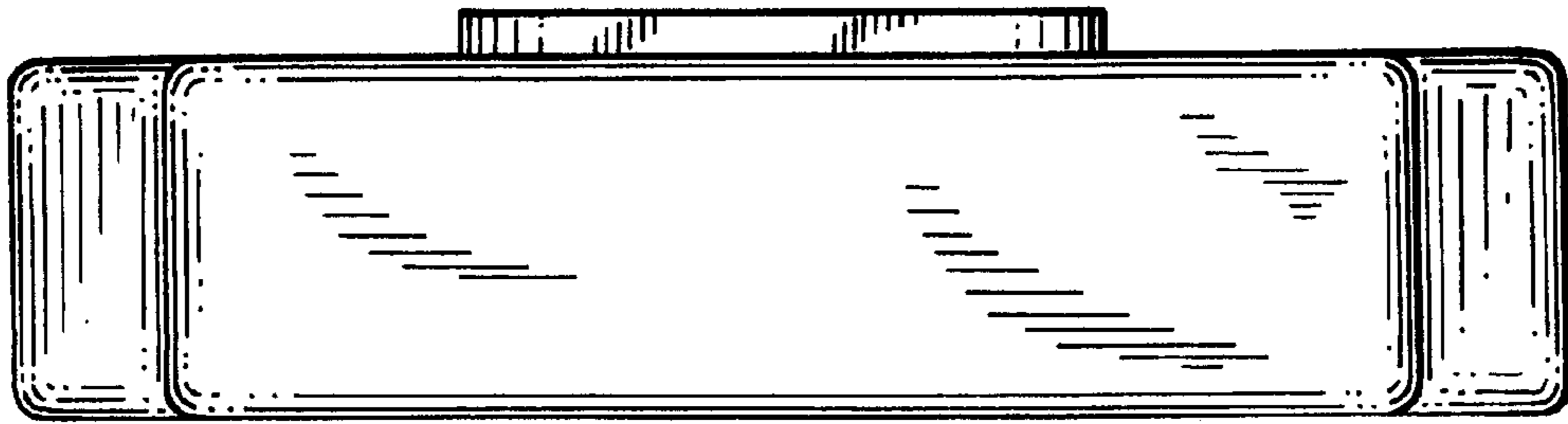


FIG.6

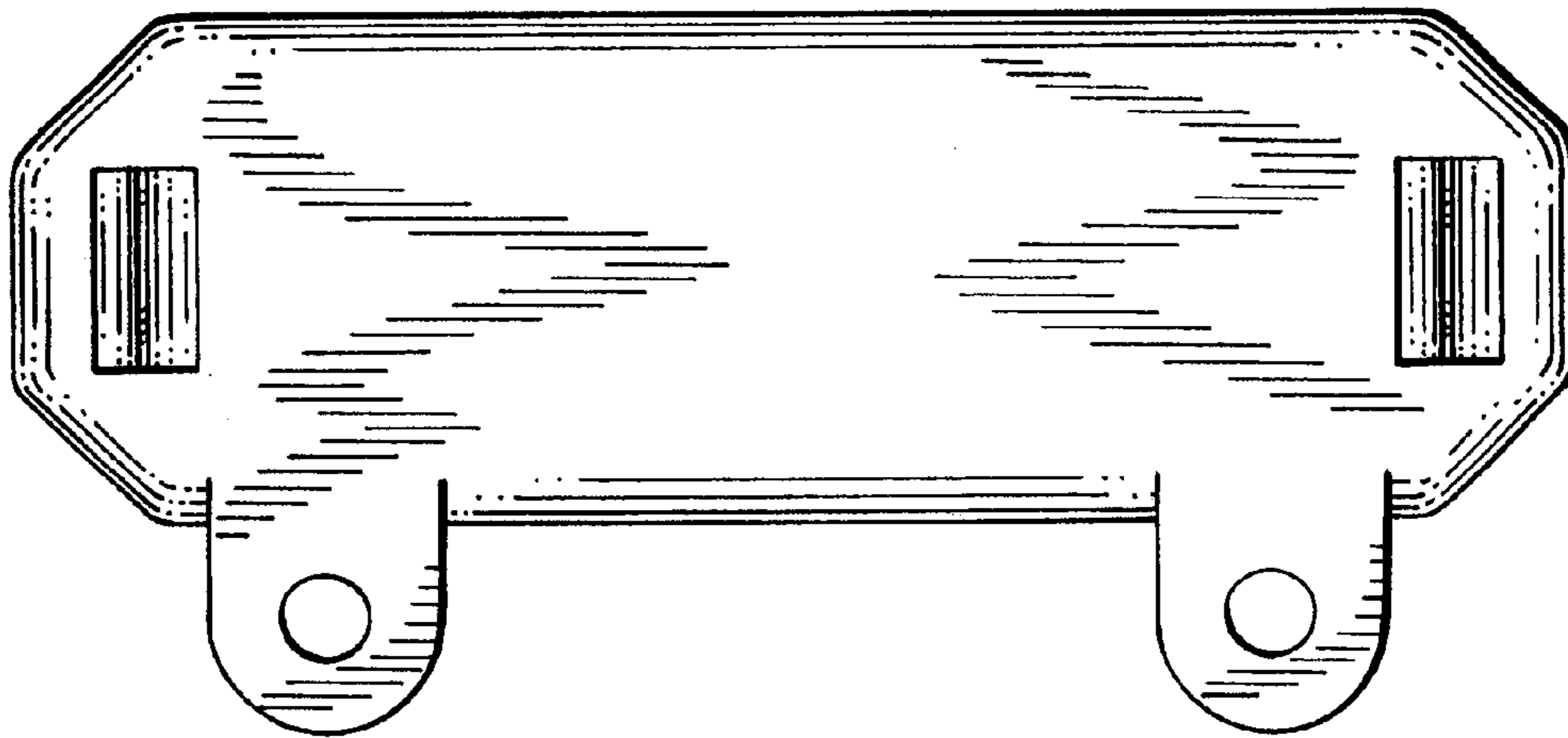


FIG.5

