



US00D519936S

(12) **United States Design Patent**  
**Smith**

(10) **Patent No.:** **US D519,936 S**

(45) **Date of Patent:** **\*\* May 2, 2006**

(54) **115/220 VOLT FIRE ALARM CIRCUIT BREAKER**

(76) Inventor: **Venson C. Smith**, 5483 Stephen Forest, Memphis, TN (US) 38141

(\*\*) Term: **14 Years**

(21) Appl. No.: **29/199,565**

(22) Filed: **Feb. 18, 2004**

(51) **LOC (8) Cl.** ..... **13-03**

(52) **U.S. Cl.** ..... **D13/160**

(58) **Field of Classification Search** ..... D13/160,  
D13/138.1, 138.2, 137.1, 137.3; 70/203;  
174/50, 66, 65 R, 67, 70 R, 77 R, 77 S, 92;  
200/5 R, 43.11, 43.14, 50.01, 50.15, 293,  
200/293.1, 303, 401; 361/42, 44, 45, 50,  
361/71, 115, 118, 119, 679; 335/68, 132,  
335/202

See application file for complete search history.

(56) **References Cited**

**U.S. PATENT DOCUMENTS**

4,438,477 A \* 3/1984 Cawley ..... 361/119  
4,876,713 A \* 10/1989 Crosby et al. .... 379/412

D314,077 S \* 1/1991 Judd et al. .... D13/160  
D333,812 S \* 3/1993 Krasser ..... D13/160  
D341,816 S \* 11/1993 Nagano ..... D13/138.1  
D382,251 S \* 8/1997 Tsui ..... D13/137.1

\* cited by examiner

*Primary Examiner*—Stella Reid  
*Assistant Examiner*—Selina Sikder

(74) *Attorney, Agent, or Firm*—Crossley Patent Law; Mark A. Crossley

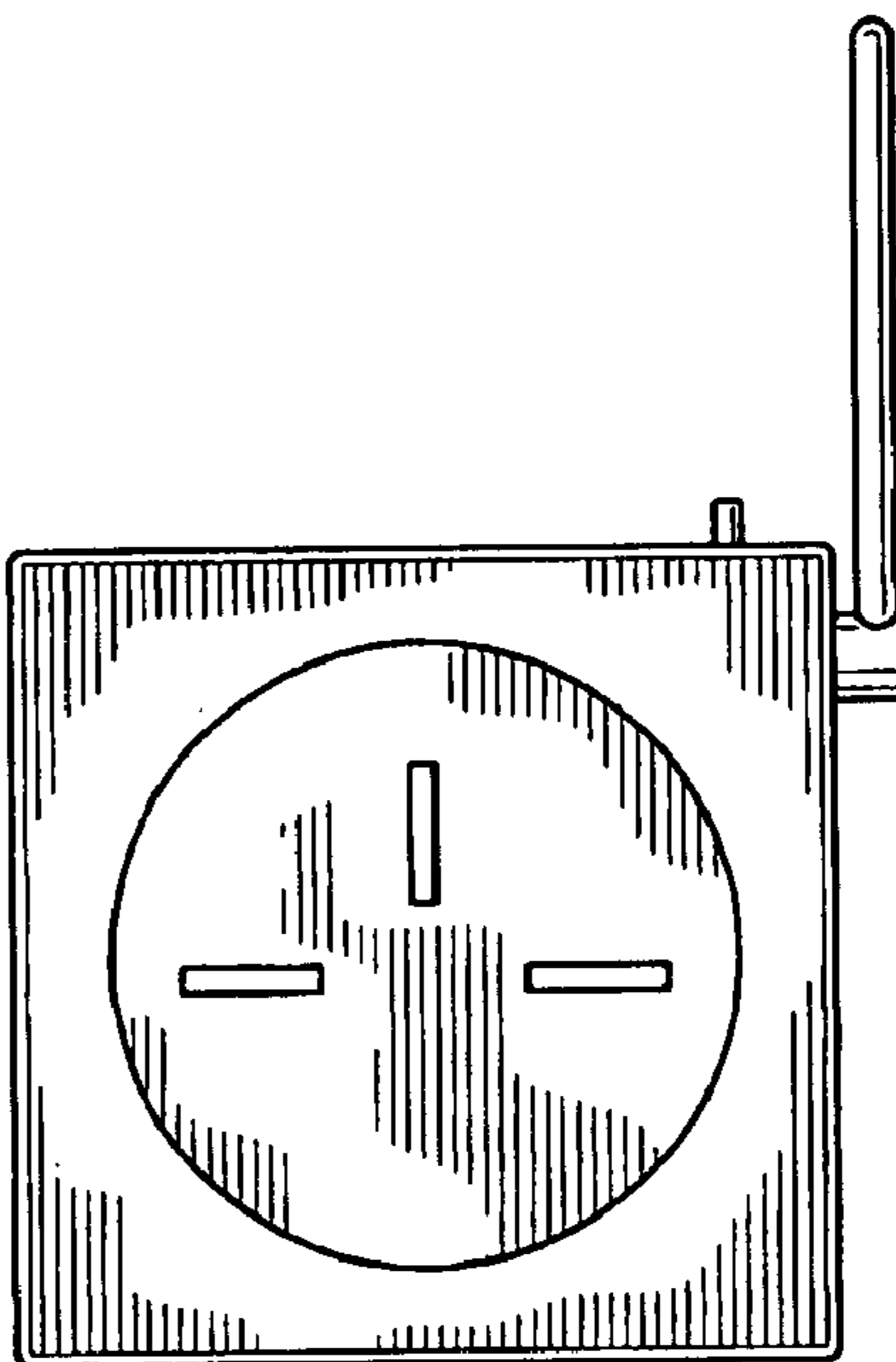
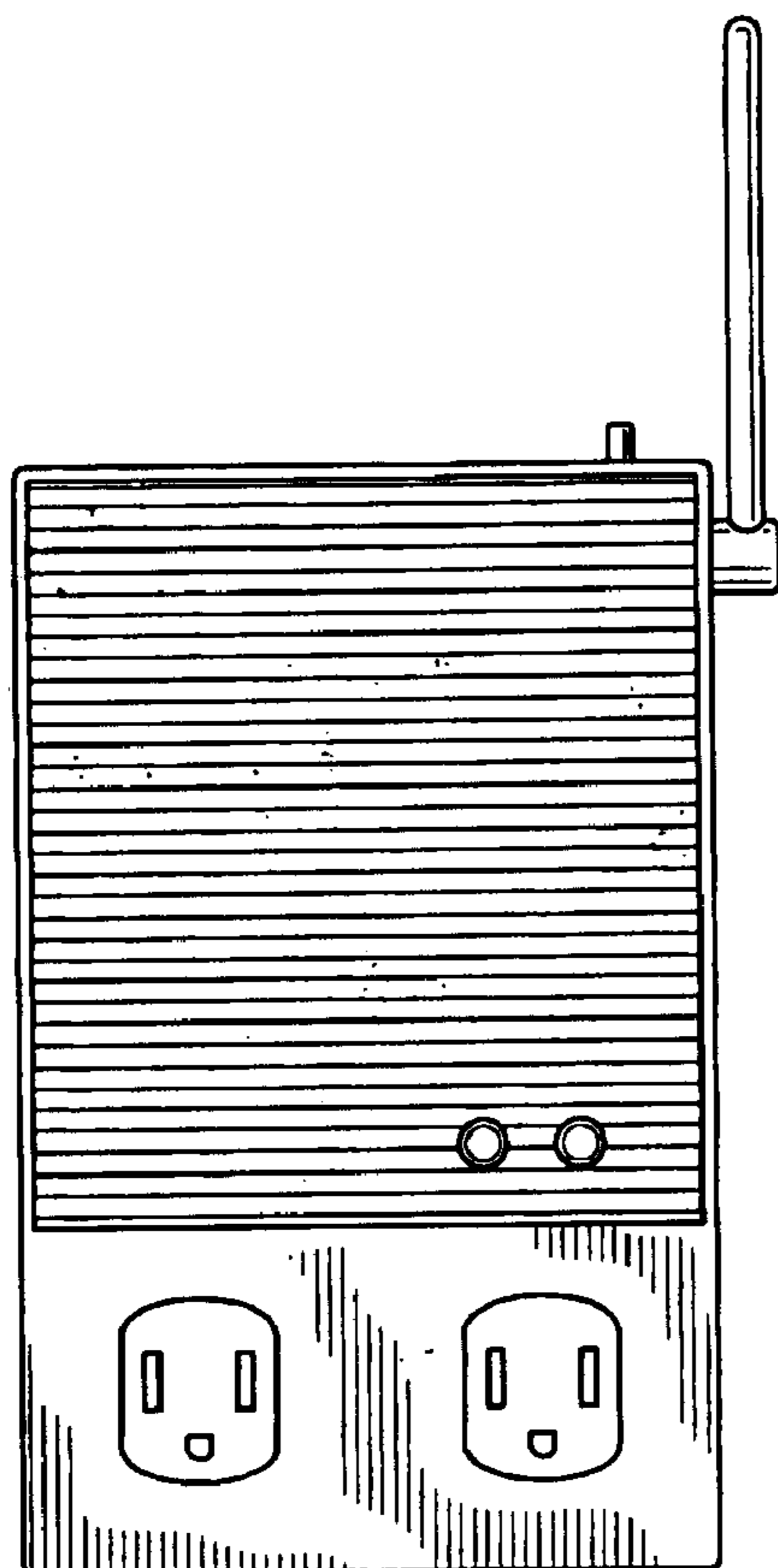
(57) **CLAIM**

The ornamental design for a 115/220 volt fire alarm circuit breaker, as shown and described.

**DESCRIPTION**

FIG. 1 is a front elevation view of the 115/220 volt fire alarm circuit breaker showing my new design;  
FIG. 2 is a rear elevation view thereof;  
FIG. 3 is a left side elevation view thereof;  
FIG. 4 is a right side elevation view thereof;  
FIG. 5 is a top plan view thereof;  
FIG. 6 is a bottom plan view thereof; and,  
FIG. 7 is a perspective thereof.

**1 Claim, 7 Drawing Sheets**



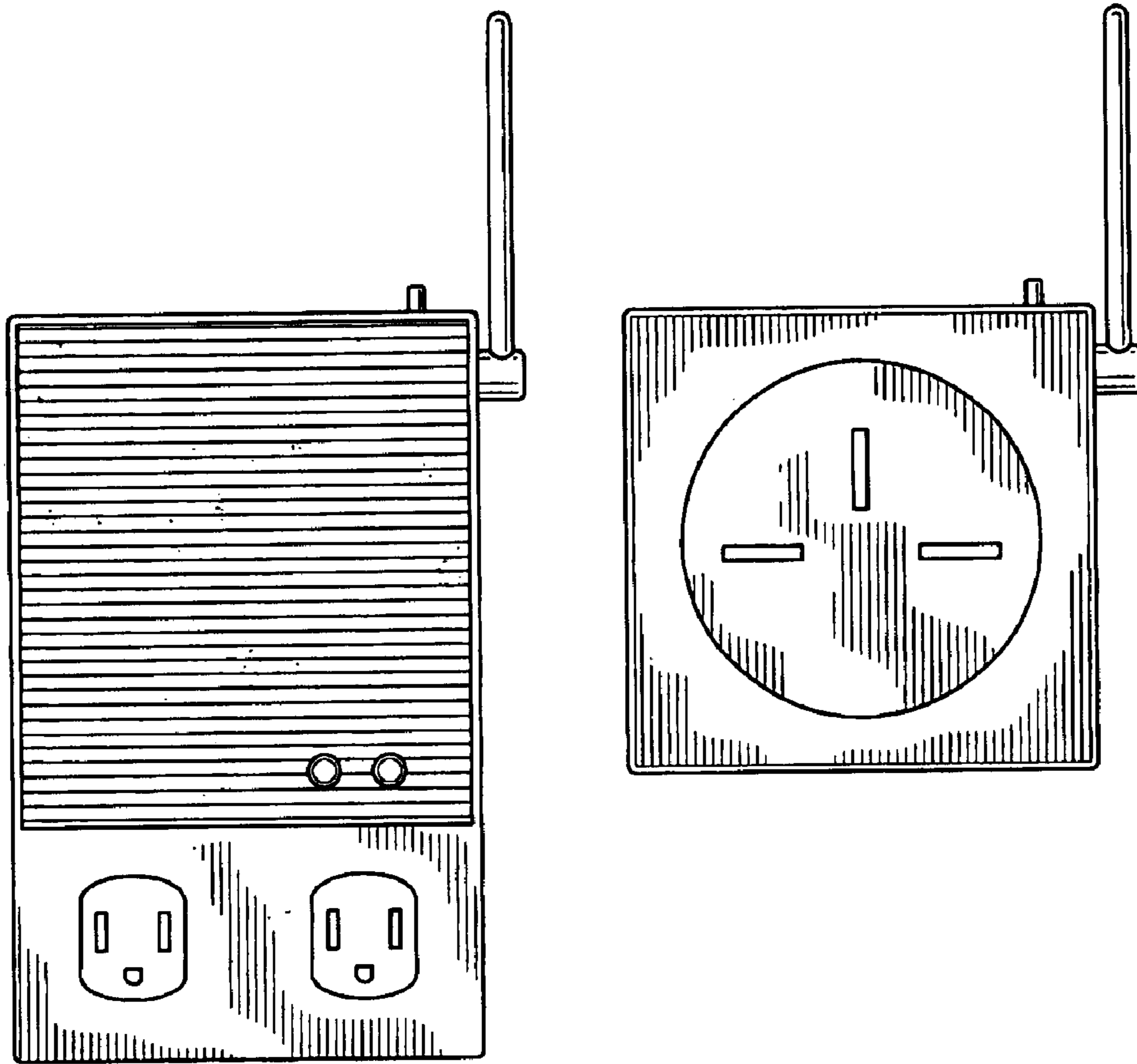


FIG.1

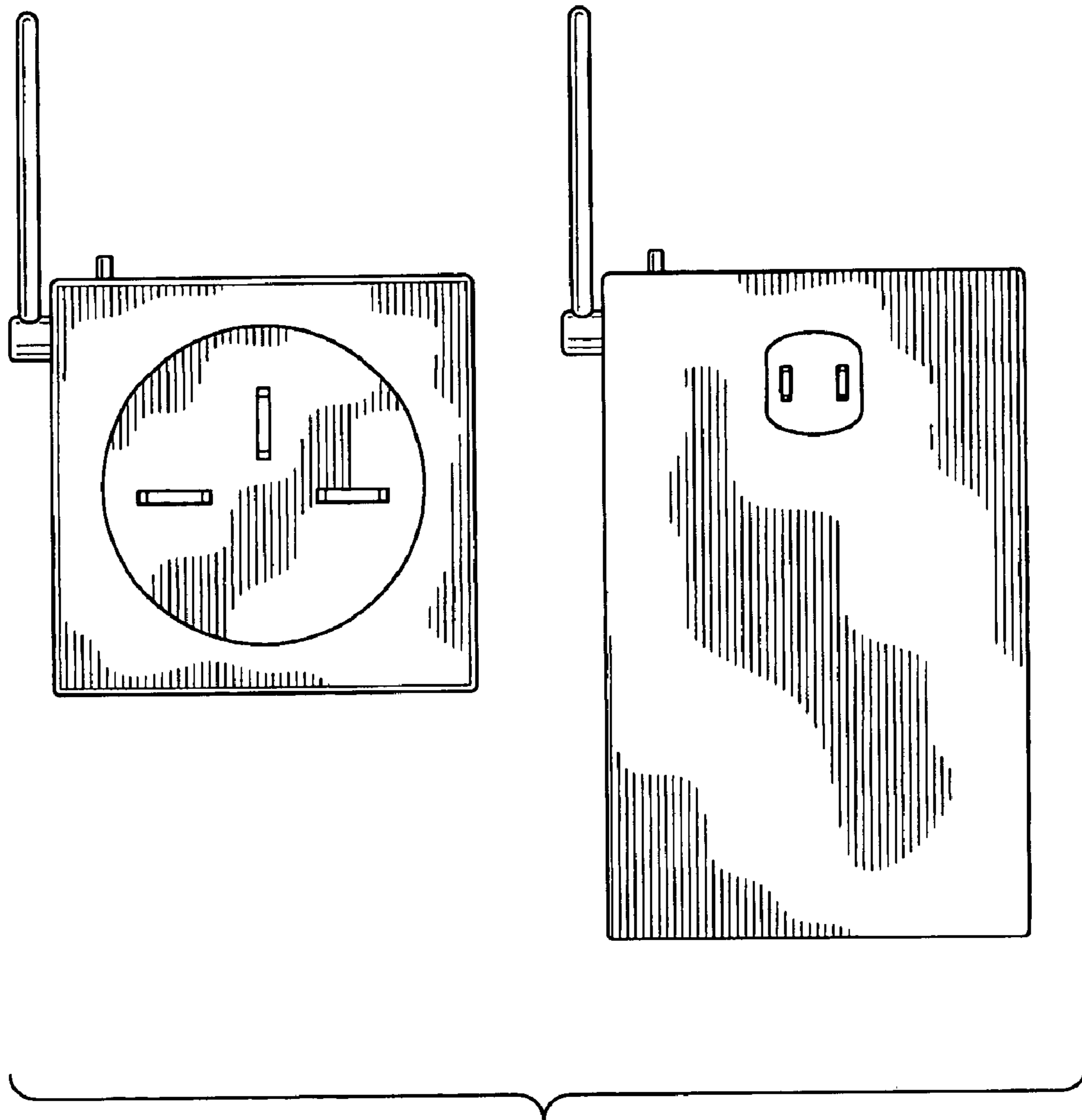


FIG.2

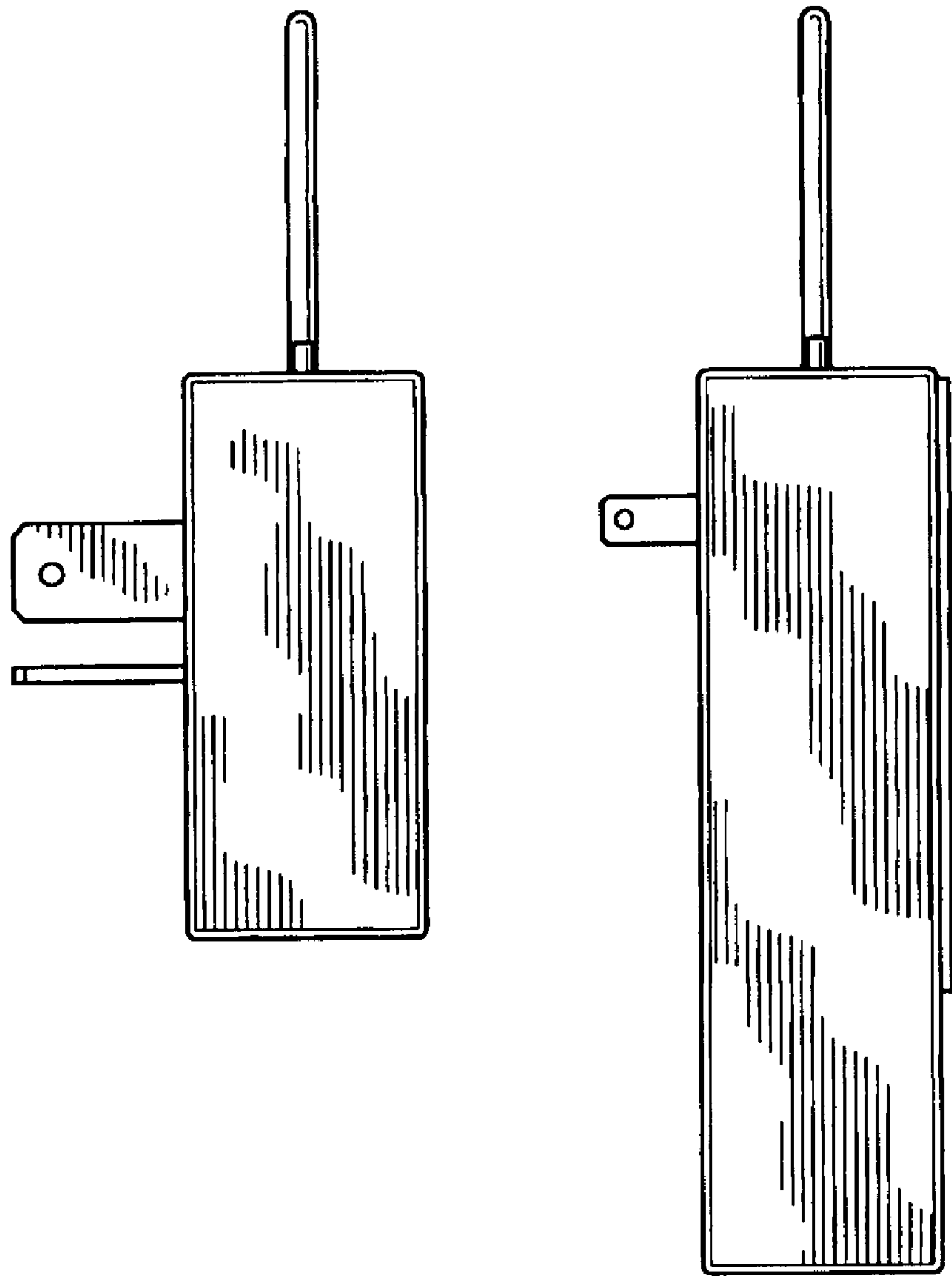


FIG.3

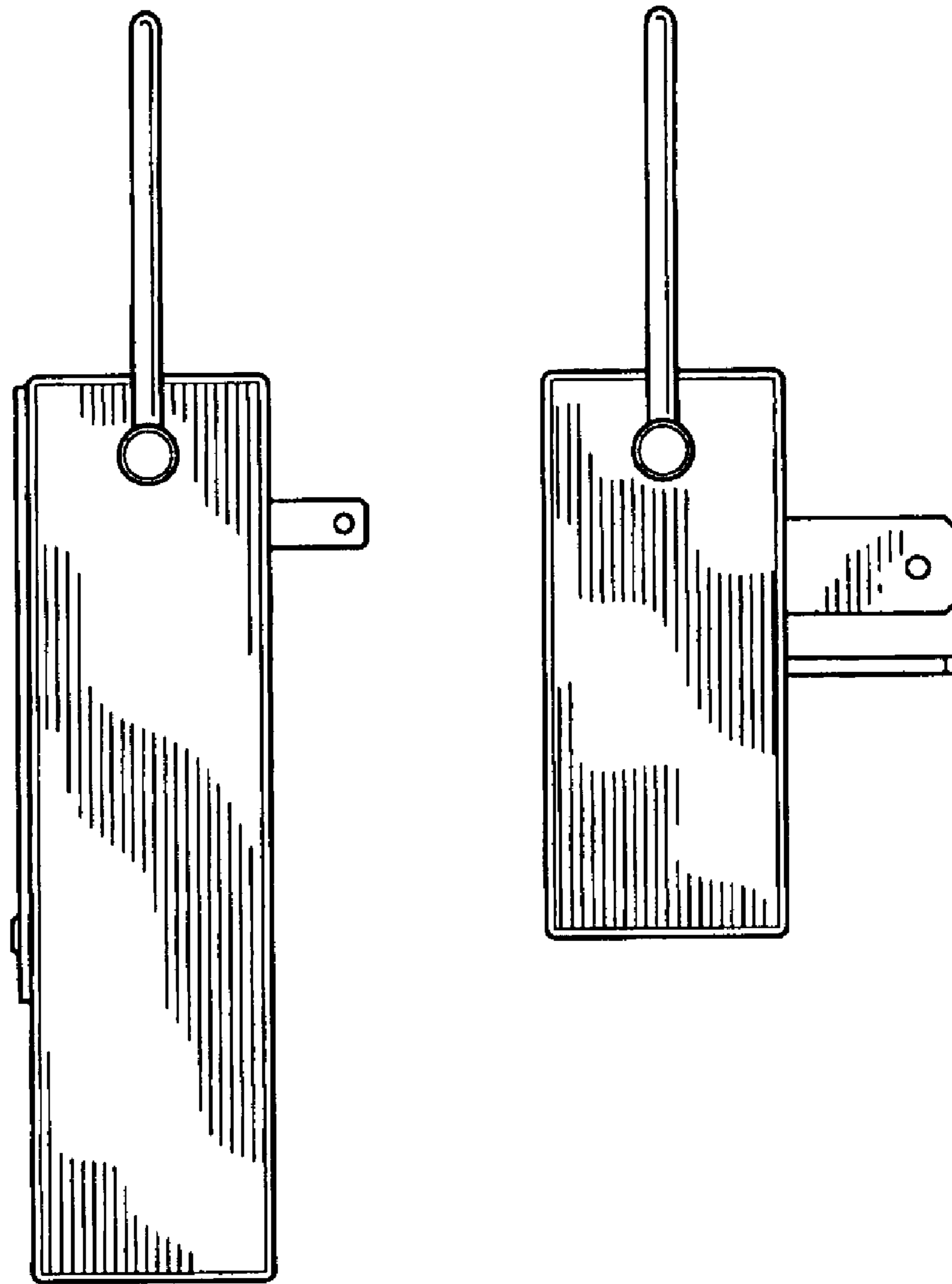


FIG.4

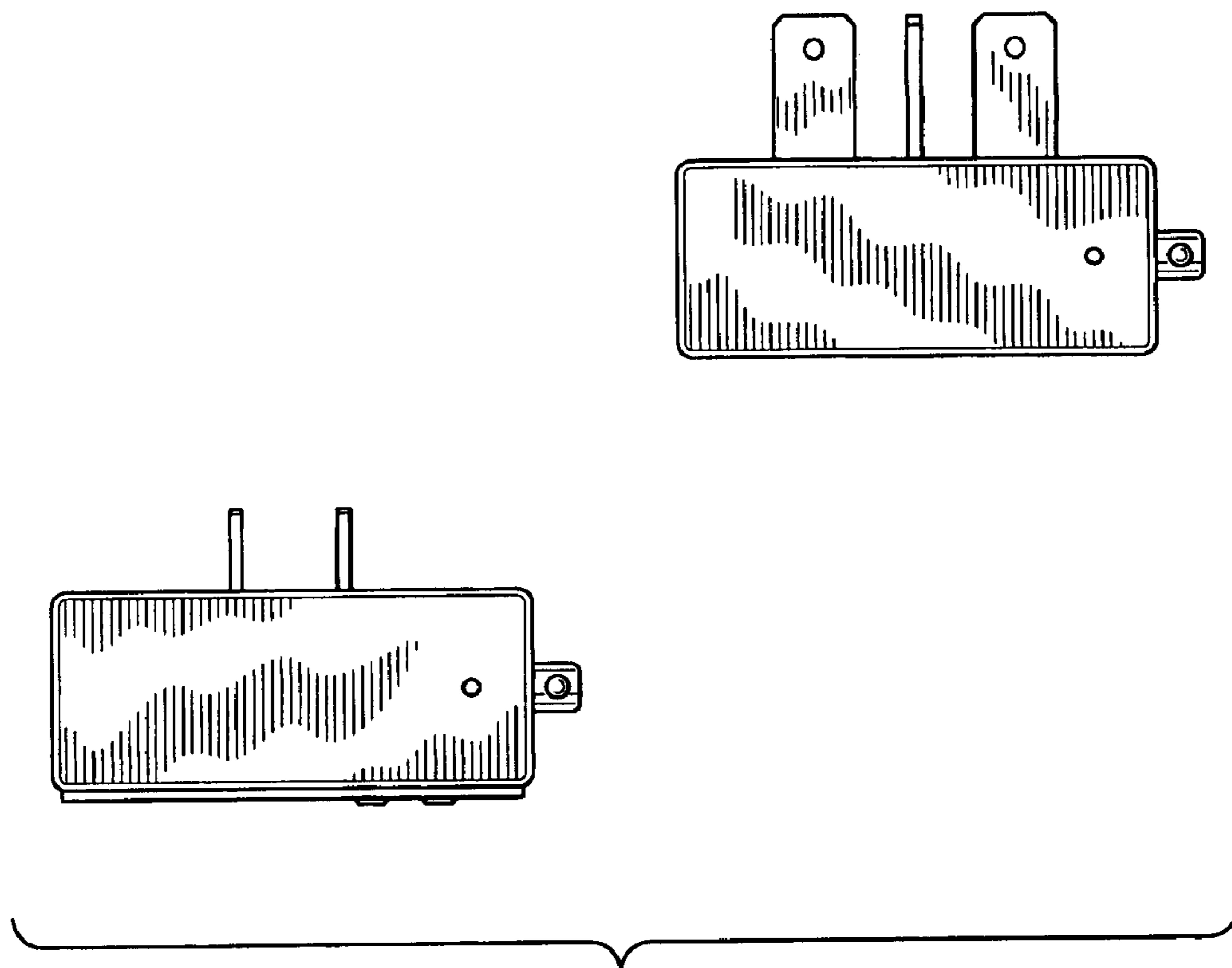


FIG.5

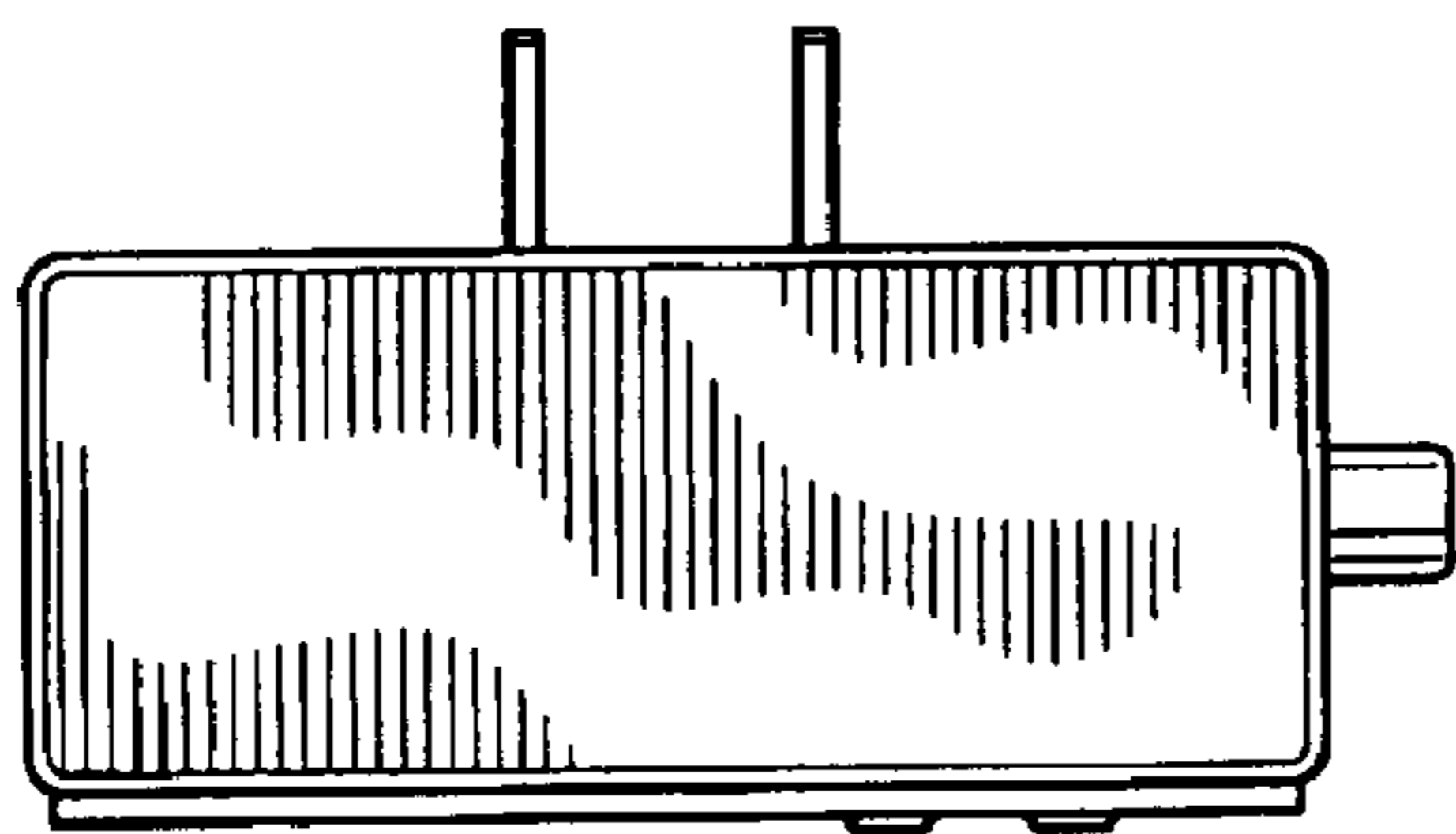
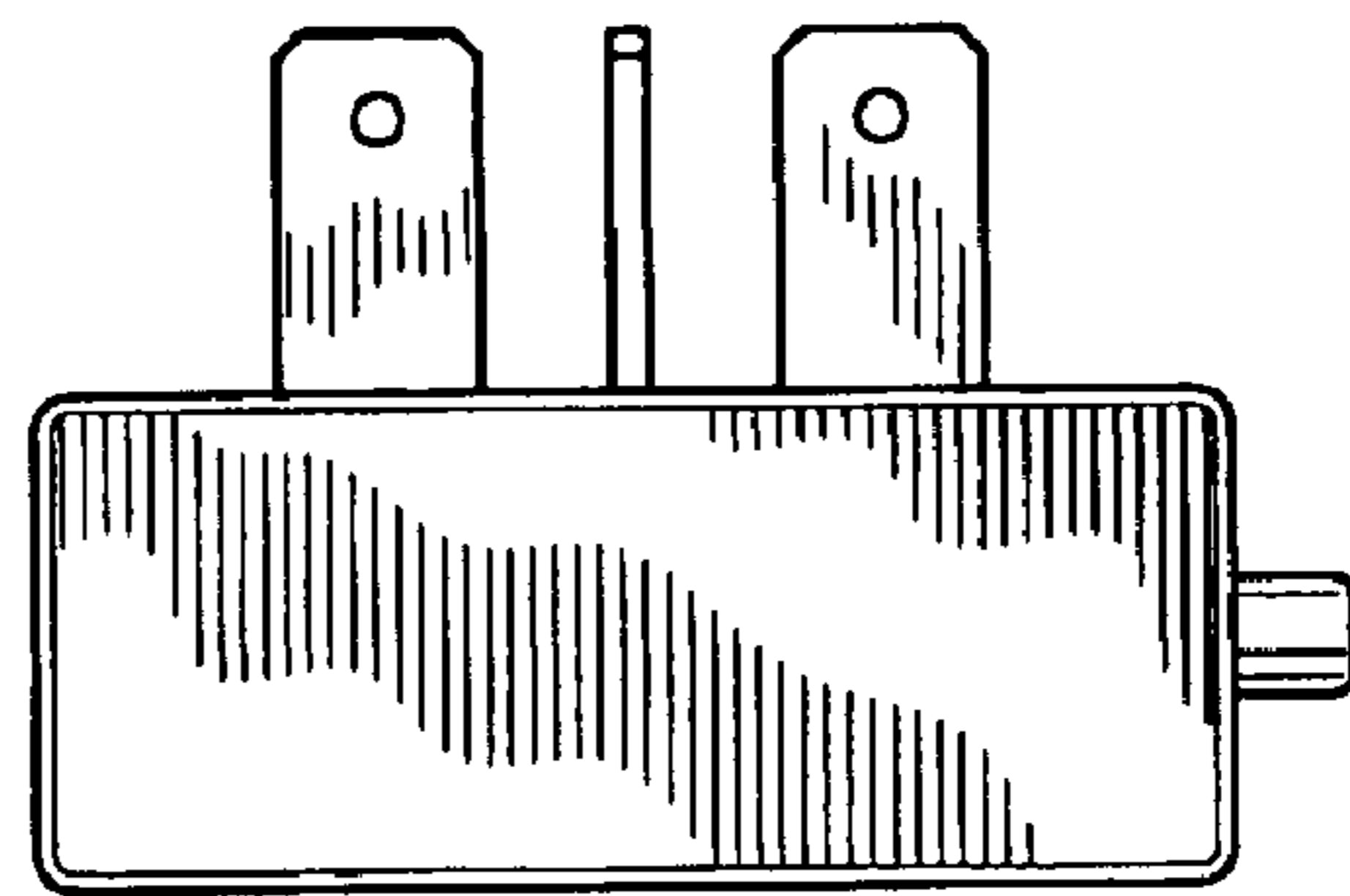


FIG.6

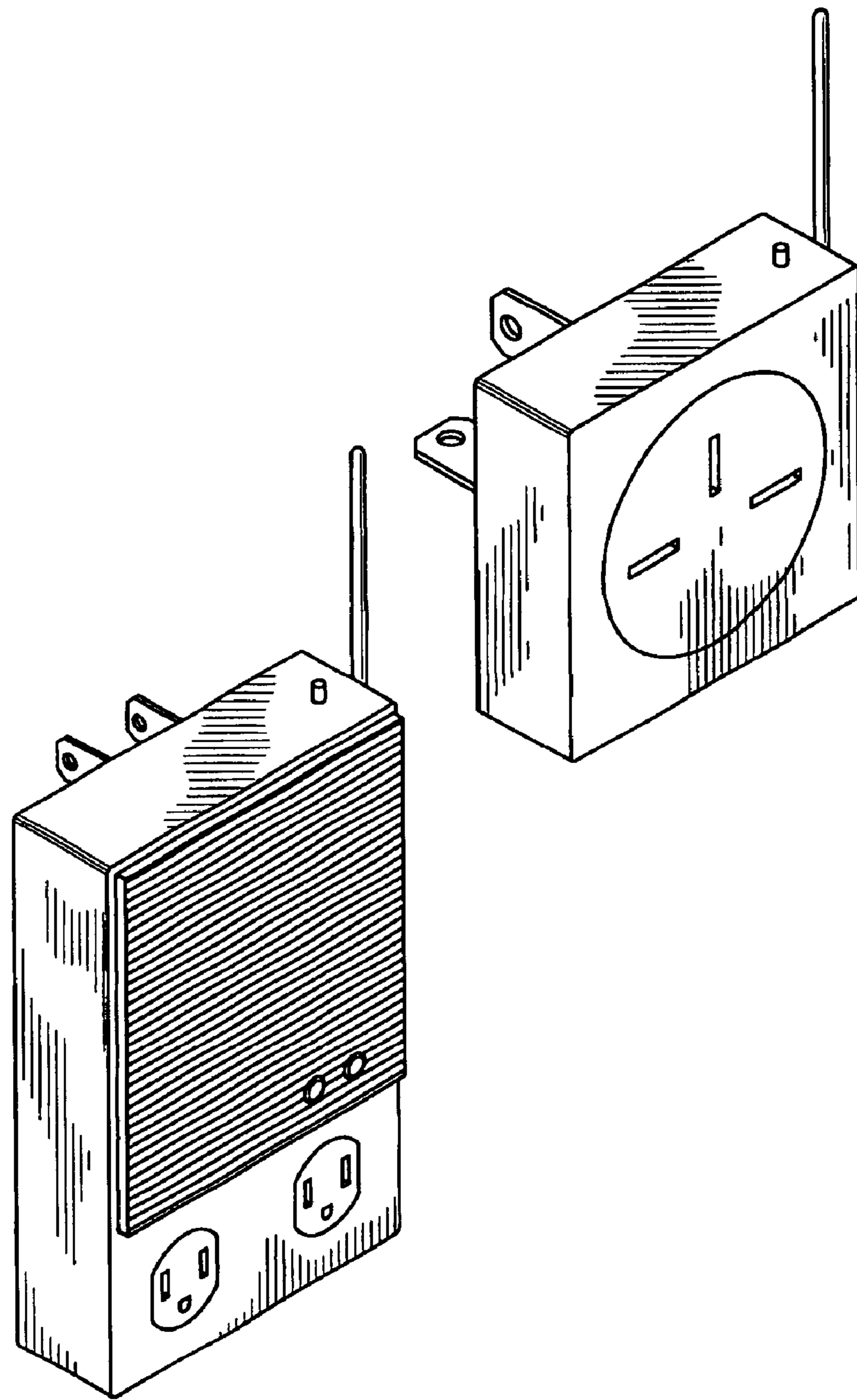


FIG.7