

US00D519931S

(12) **United States Design Patent** (10) **Patent No.:** **US D519,931 S**
Van Haaster (45) **Date of Patent:** **** May 2, 2006**

(54) **EMI/RFI SHIELDING STRIP** 6,264,480 B1 * 7/2001 Nealis et al. 439/92
6,294,729 B1 9/2001 Kaplo
(76) Inventor: **Phil Van Haaster**, 3780 Huron Cir., 6,320,120 B1 11/2001 Van Haaster
Corona, CA (US) 92881 6,323,419 B1 11/2001 Toy
6,343,956 B1 2/2002 Stickney
(**) Term: **14 Years** 6,348,654 B1 2/2002 Shang et al.
6,349,038 B1 2/2002 Hailey
(21) Appl. No.: **29/235,051** 6,355,878 B1 3/2002 Kim
D455,336 S * 4/2002 Anderson D8/377
(22) Filed: **Jul. 27, 2005** 6,451,374 B1 9/2002 Watchko et al.

(Continued)

Related U.S. Application Data

(63) Continuation of application No. 11/175,075, filed on Jul. 5, 2005, and a continuation of application No. 11/056,428, filed on Feb. 11, 2005.
(51) **LOC (8) Cl.** **13-03**
(52) **U.S. Cl.** **D13/153**
(58) **Field of Classification Search** D13/152-157;
D8/377; D25/119, 121-125; 361/800, 818,
361/816; 714/35, 51; 439/92, 95, 607, 939;
174/17, 35
See application file for complete search history.

FOREIGN PATENT DOCUMENTS

GB 2184294 A 6/1987
WO WO 02/32205 4/2002

OTHER PUBLICATIONS

U.S. Appl. No. 11/056,428, filed Feb. 11, 2005, Van Haaster, pending.
U.S. Appl. No. 11/175,075, filed Jul. 5, 2005, Van Haaster, pending.
Pages from Laird Technologies website accessed on Jan. 14, 2005; 17 pages.

(56) **References Cited**

U.S. PATENT DOCUMENTS

1,765,443 A 6/1930 Peterson
2,825,042 A * 2/1958 Tollefson et al. 439/607
3,277,320 A * 10/1966 Conner 307/141
3,904,810 A * 9/1975 Kraus 174/35 MS
4,572,921 A 2/1986 May et al.
4,705,916 A 11/1987 Wadhwa et al.
4,754,101 A 6/1988 Stickney et al.
4,864,076 A 9/1989 Stickney
5,001,297 A 3/1991 Peregrin et al.
5,029,254 A 7/1991 Stickney
5,043,528 A * 8/1991 Mohr 174/35 GC
5,511,798 A * 4/1996 Kawamoto et al. 277/647
5,523,527 A 6/1996 Mann et al.
5,952,608 A 9/1999 Kim
5,957,465 A 9/1999 Gonsalves et al.
6,073,896 A 6/2000 McFadden
6,201,182 B1 3/2001 Sosnowski
6,225,555 B1 5/2001 Sosnowski
6,259,609 B1 7/2001 Kurz

Primary Examiner—Holly Baynham
Assistant Examiner—Cynthia M. Chin
(74) *Attorney, Agent, or Firm*—Harness, Dickey & Pierce, PLC

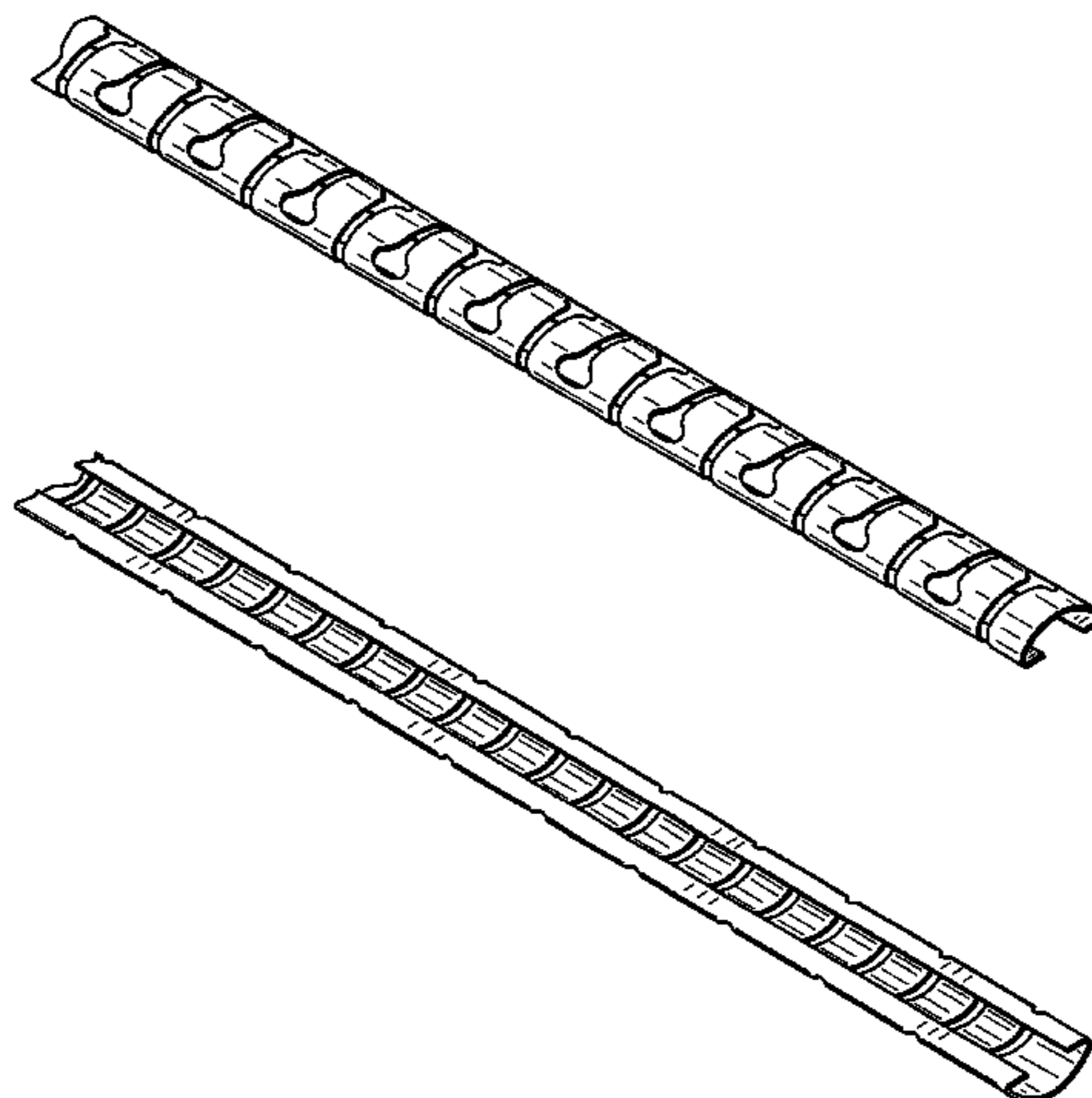
(57) **CLAIM**

The ornamental design for an EMI/RFI shielding strip, as shown and described.

DESCRIPTION

FIG. 1 is an enlarged top perspective view of the EMI/RFI shielding strip, showing my new design;
FIG. 2 is an enlarged bottom perspective view thereof;
FIG. 3 is an enlarged end elevation view thereof;
FIG. 4 is an enlarged bottom plan view thereof;
FIG. 5 is an enlarged top plan view thereof; and,
FIG. 6 is an enlarged partial left elevation view thereof, the right elevation view being a mirror image thereof.

1 Claim, 2 Drawing Sheets



US D519,931 S

Page 2

U.S. PATENT DOCUMENTS

6,500,012	B1	12/2002	Billenstein et al.	D496,471	S	*	9/2004	Fergusson	D25/125
6,521,828	B1	2/2003	Ariel	D497,679	S	*	10/2004	Soika	D25/119
6,534,706	B1	3/2003	Rapp et al.	6,822,879	B1		11/2004	Rathnam et al.	
6,714,423	B1	*	3/2004	Nurmi	2003/0218873	A1	11/2003	Eromaki et al.	
6,744,641	B1	6/2004	Schnabel						

* cited by examiner

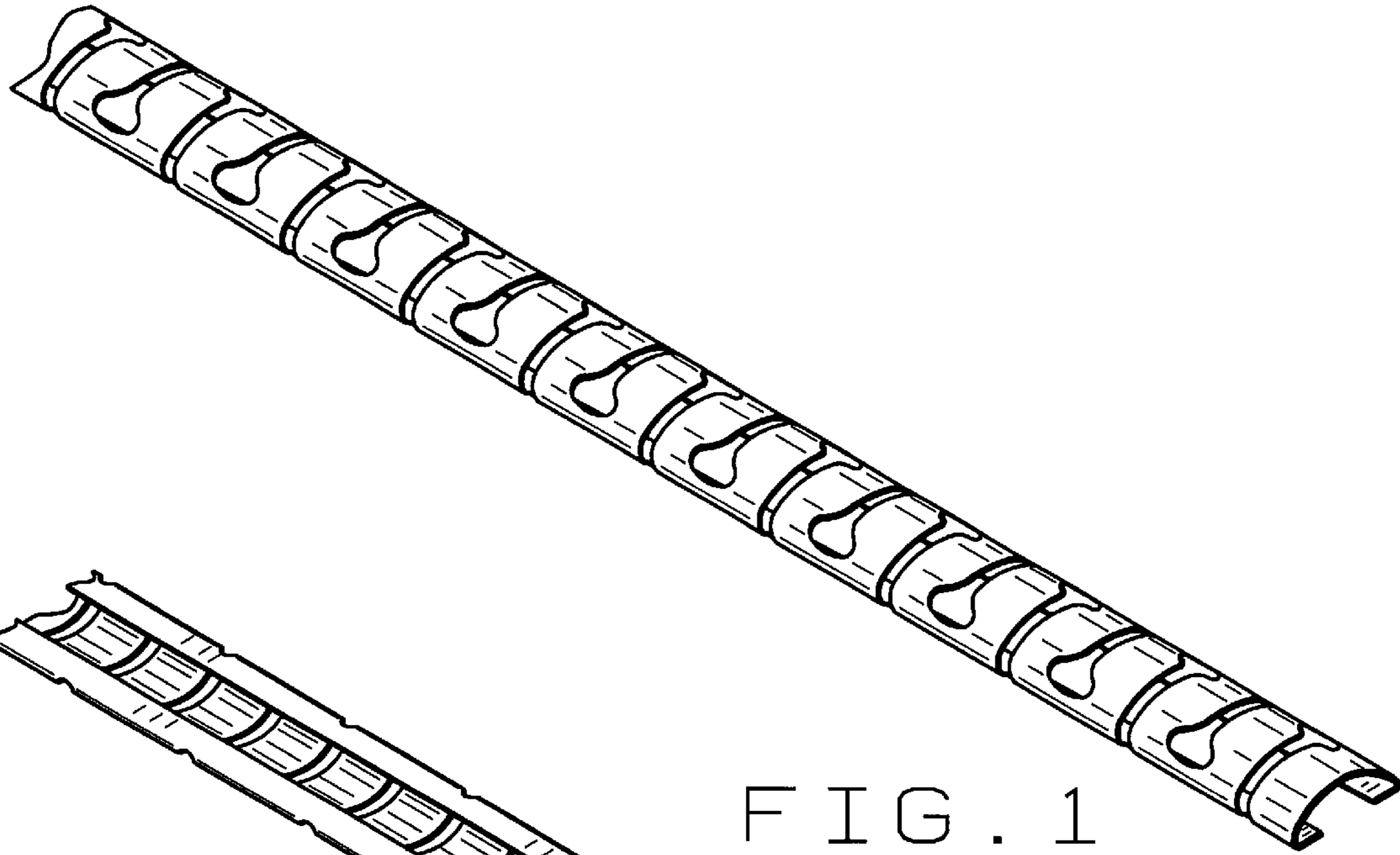


FIG. 1

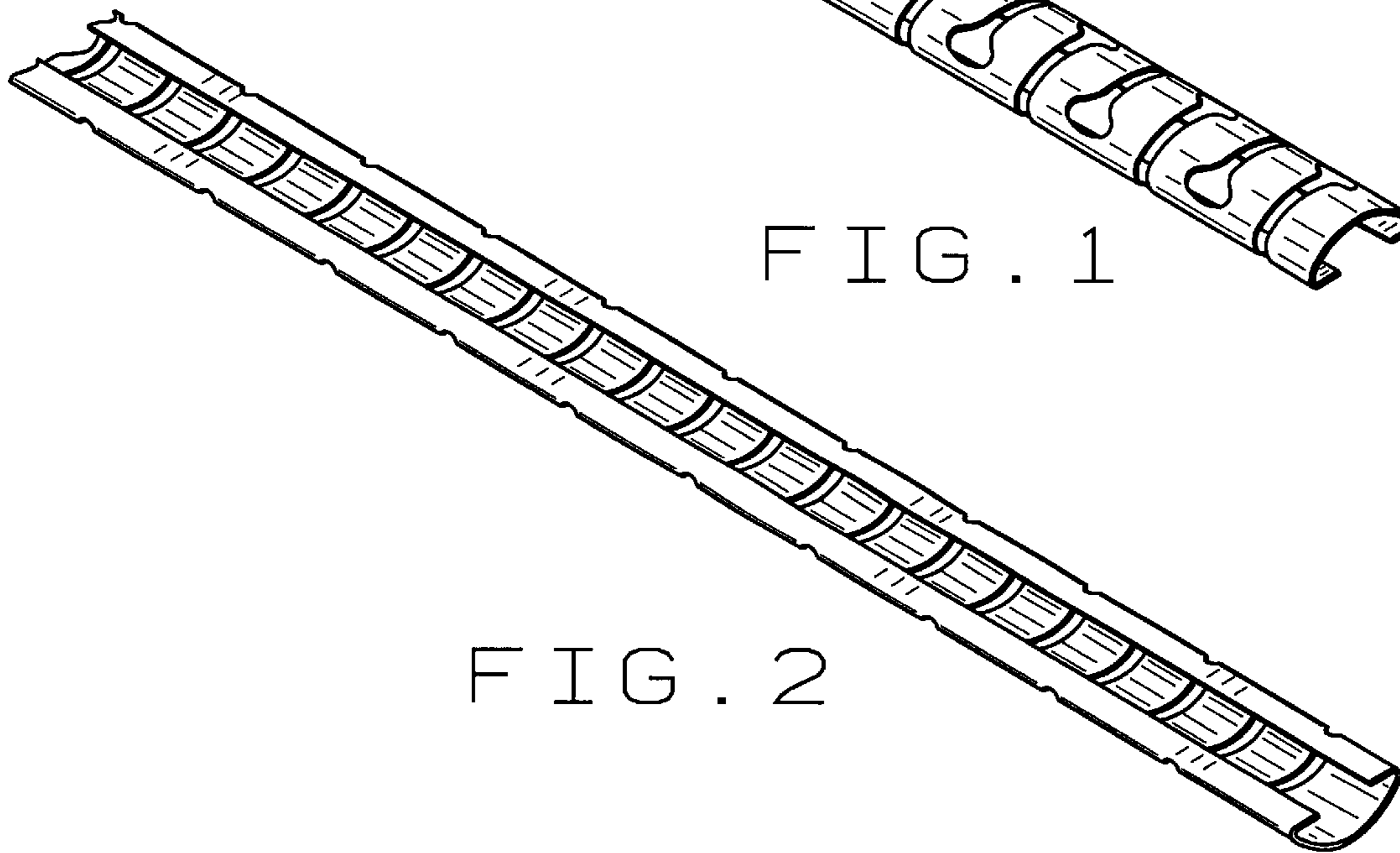


FIG. 2

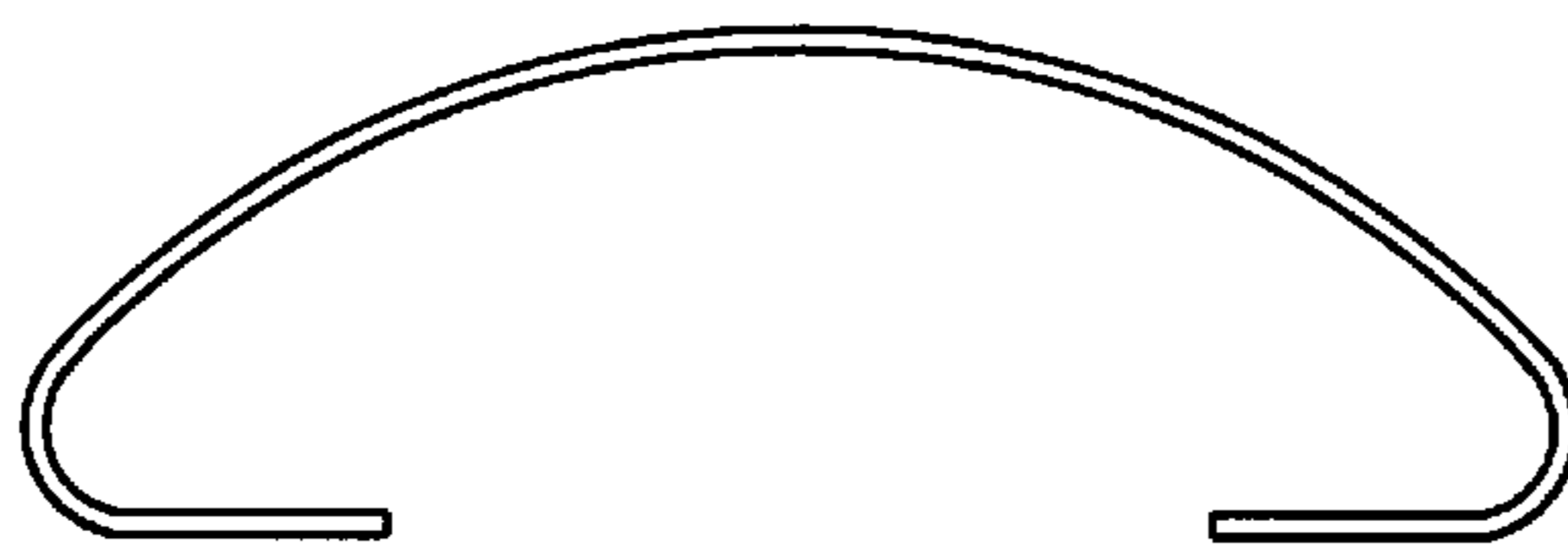


FIG. 3

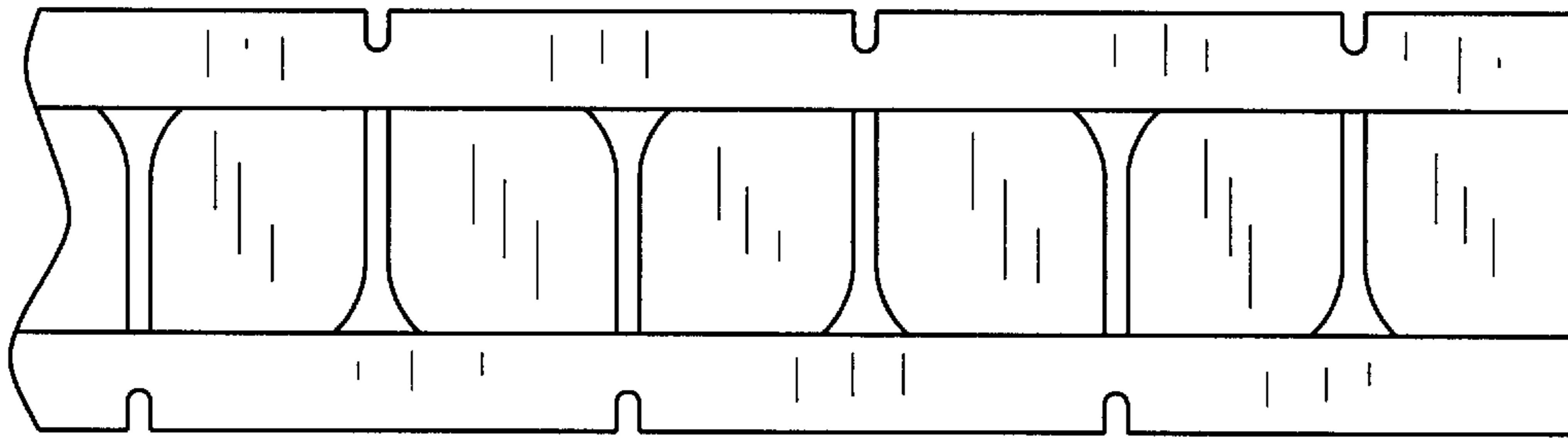


FIG. 4

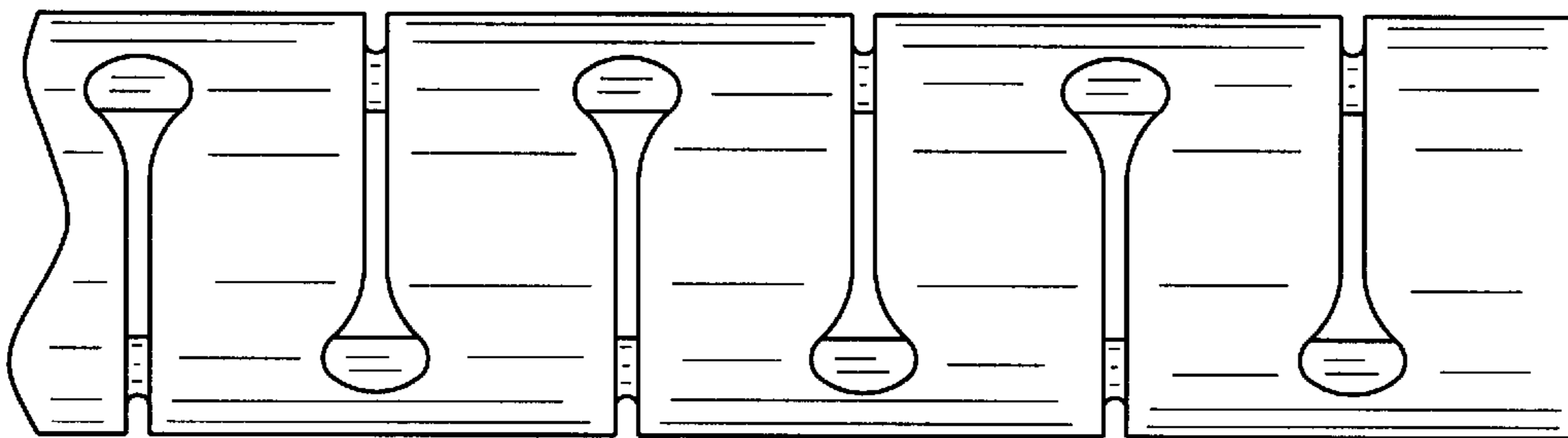


FIG. 5

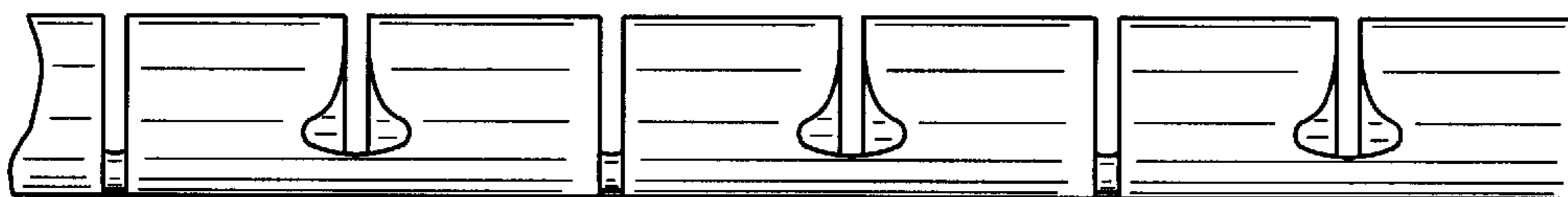


FIG. 6