



US00D519930S

(12) **United States Design Patent**
Hull et al.

(10) **Patent No.:** **US D519,930 S**

(45) **Date of Patent:** **** May 2, 2006**

(54) **ELECTRICAL OUTLET BOX**

(75) Inventors: **Eric G. Hull**, Madison, OH (US);
Charles H. Riedy, Lakewood, OH
(US); **Dennis P. Revlock, Sr.**, Medina,
OH (US)

(73) Assignee: **The Lamson & Sessions Co.**,
Cleveland, OH (US)

(**) Term: **14 Years**

(21) Appl. No.: **29/233,882**

(22) Filed: **Jul. 11, 2005**

| | | | |
|-----------------|-----------|-------------------|----------|
| 3,770,873 A | 11/1973 | Brown | |
| 3,852,514 A | * 12/1974 | Lauben | 174/58 |
| 3,863,037 A | 1/1975 | Schindler et al. | |
| 4,277,641 A | * 7/1981 | Bauer et al. | 174/65 R |
| 4,438,859 A | * 3/1984 | Solek | 220/3.2 |
| 4,954,667 A | 9/1990 | Jorgensen et al. | |
| 5,084,596 A | * 1/1992 | Borsh et al. | 174/53 |
| D331,040 S | 11/1992 | Mielko | |
| 5,170,014 A | 12/1992 | Borsh | |
| 5,833,110 A | 11/1998 | Chandler et al. | |
| D457,140 S | 5/2002 | Roesch et al. | |
| D462,664 S | 9/2002 | Roesch et al. | |
| 2004/0123996 A1 | 7/2004 | Lalancette et al. | |
| 2005/0072778 A1 | 4/2005 | Hull et al. | |
| 2005/0092506 A1 | 5/2005 | Hull et al. | |

* cited by examiner

Related U.S. Application Data

(62) Division of application No. 29/191,392, filed on Oct. 7, 2003.

(51) **LOC (8) Cl.** **13-03**

(52) **U.S. Cl.** **D13/152**

(58) **Field of Classification Search** D8/350-353;
D13/139.4, 139.5, 152-154, 156, 158, 173,
D13/184; 174/48, 50, 53-54, 58, 65 R, 66-67;
220/3.2, 3.3, 3.6, 3.8, 3.9, 4.02; 439/535,
439/536

See application file for complete search history.

(56) **References Cited**

U.S. PATENT DOCUMENTS

| | | | |
|-------------|----------|---------------------|---------|
| 2,736,450 A | * 2/1956 | Atkinson | 220/3.4 |
| 2,867,349 A | 1/1959 | Parker, Jr. | |
| D217,672 S | * 5/1970 | Chester et al. | D13/152 |
| D229,064 S | 11/1973 | Powell | |

Primary Examiner—Alan P. Douglas
Assistant Examiner—Rosemary K. Tarcza
(74) *Attorney, Agent, or Firm*—Jones Day

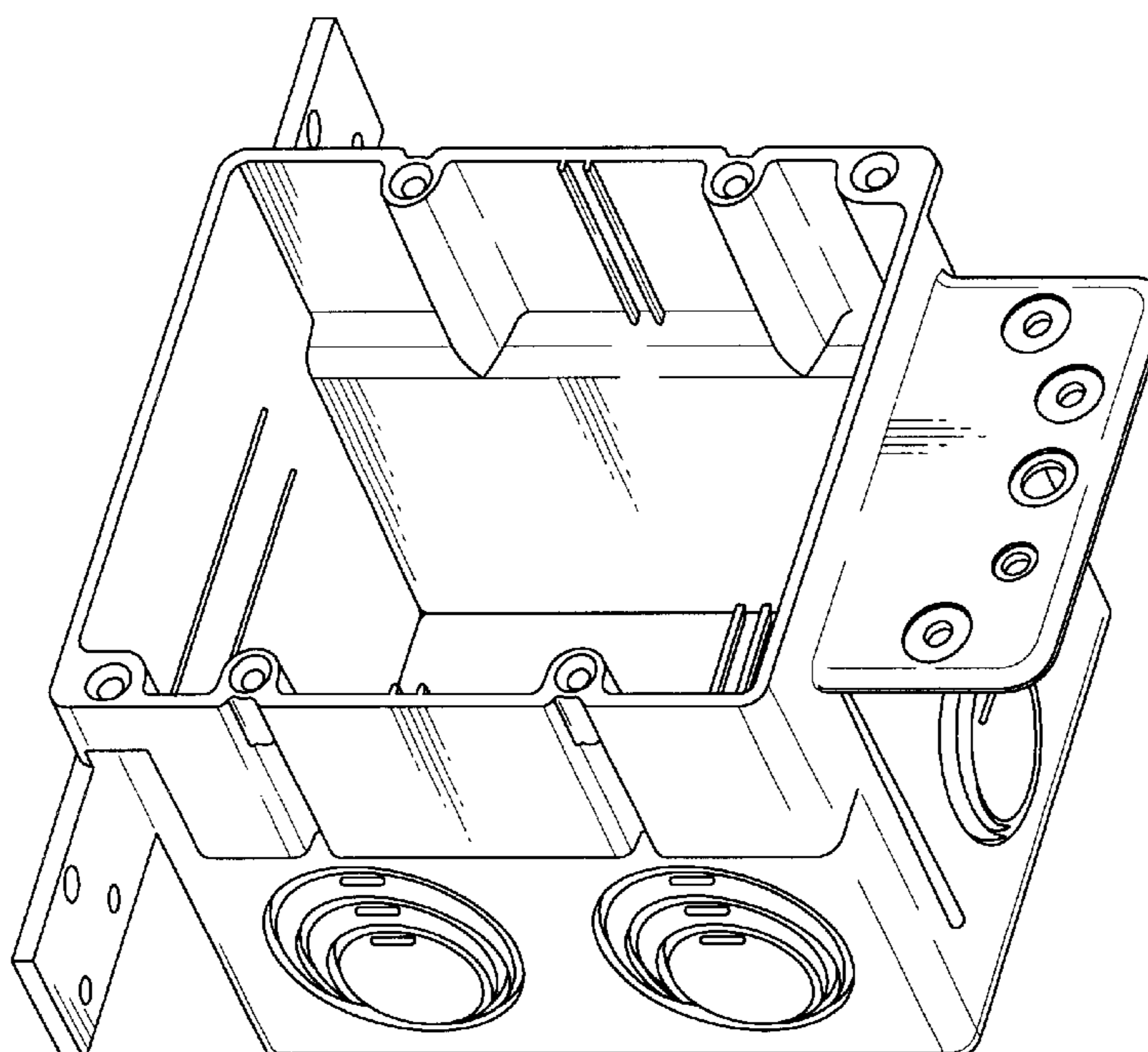
(57) **CLAIM**

The ornamental design for an electrical outlet box, as shown and described.

DESCRIPTION

FIG. 1 is a perspective illustration of the electrical outlet box showing our new design;
FIG. 2 is a front view thereof;
FIG. 3 is a rear view thereof;
FIG. 4 is a top view thereof, the bottom view being a mirror image thereof;
FIG. 5 is a view of one side thereof; and,
FIG. 6 is a view of the opposite side thereof.

1 Claim, 4 Drawing Sheets



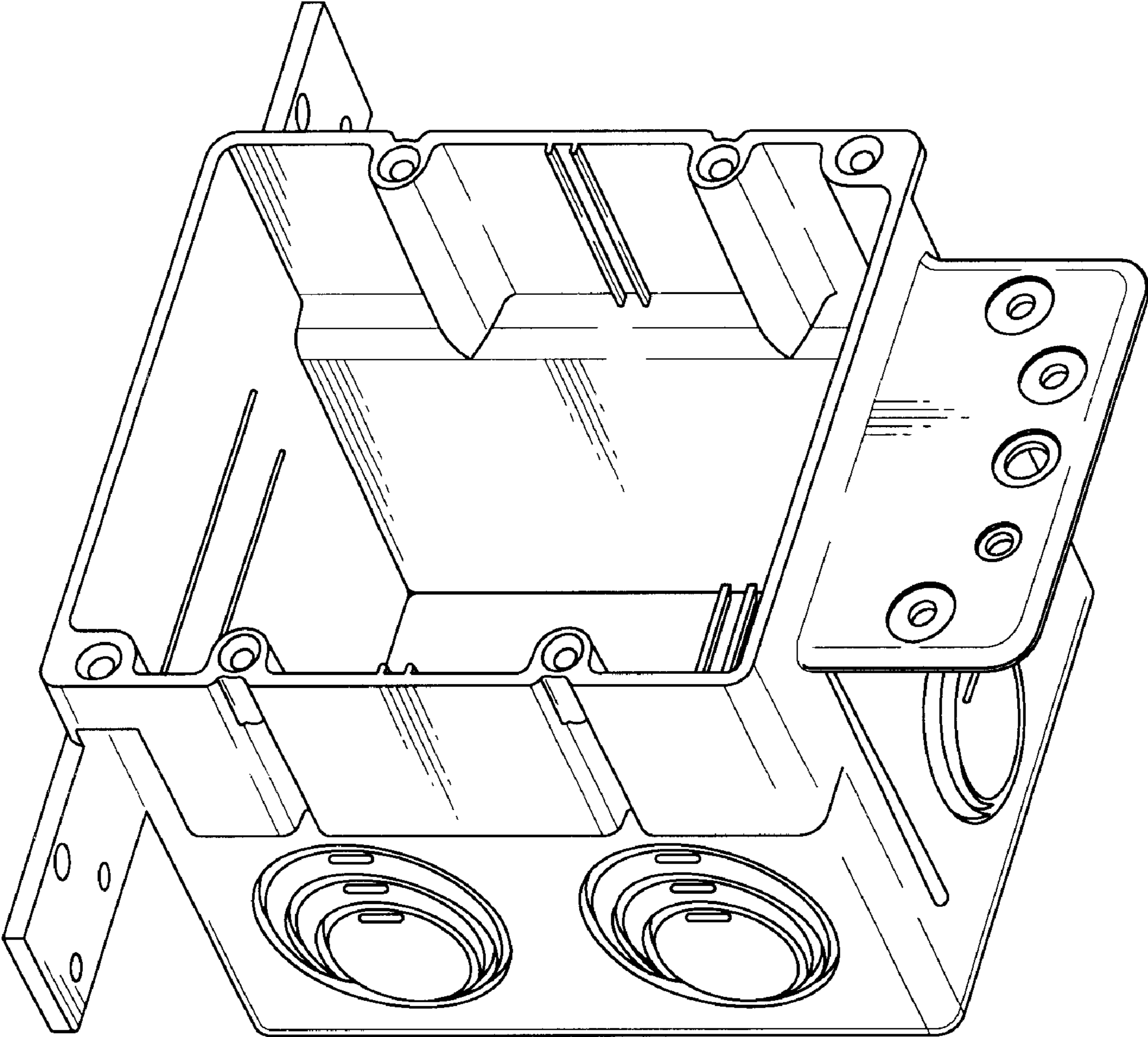


FIG. 1

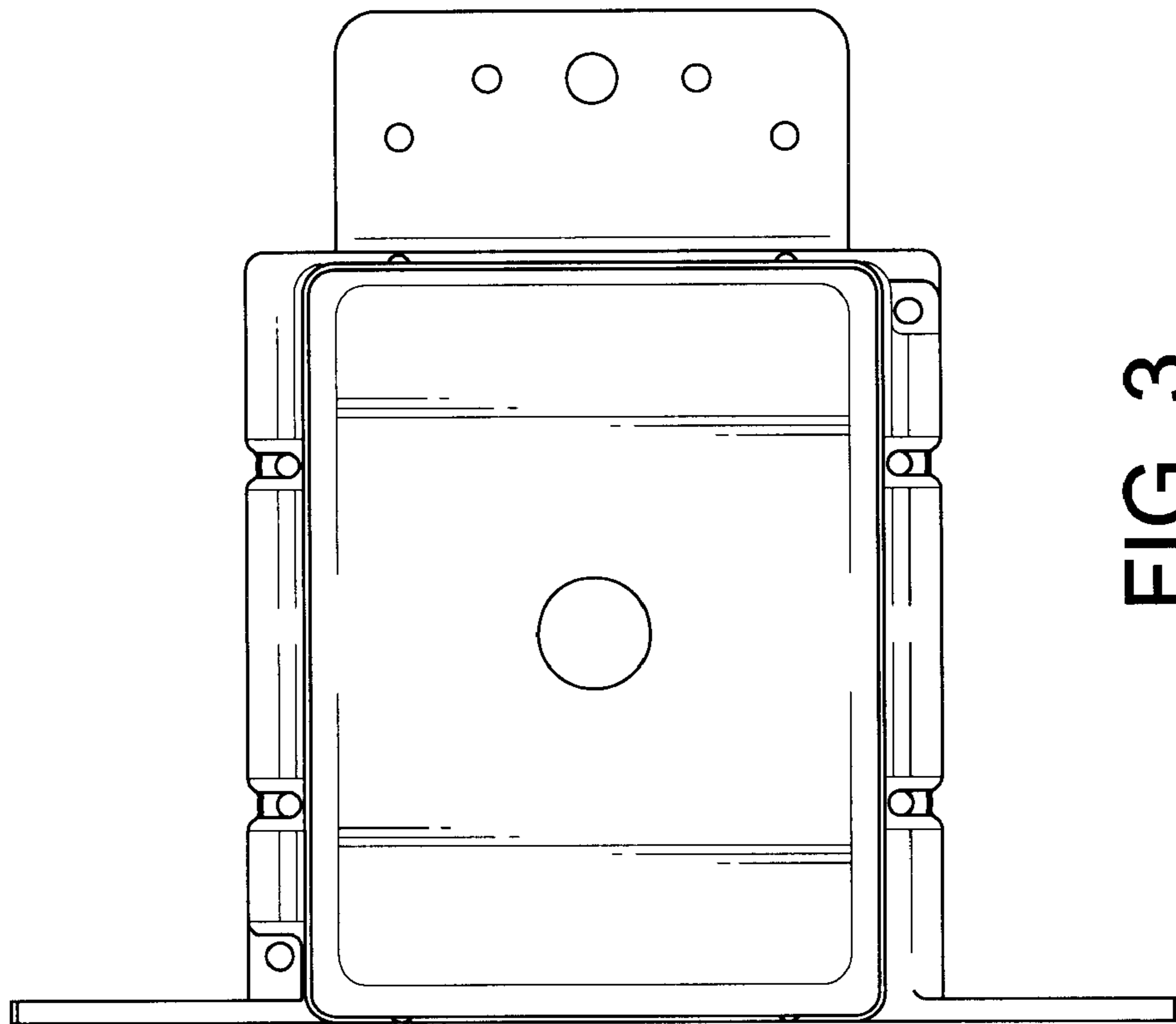


FIG. 3

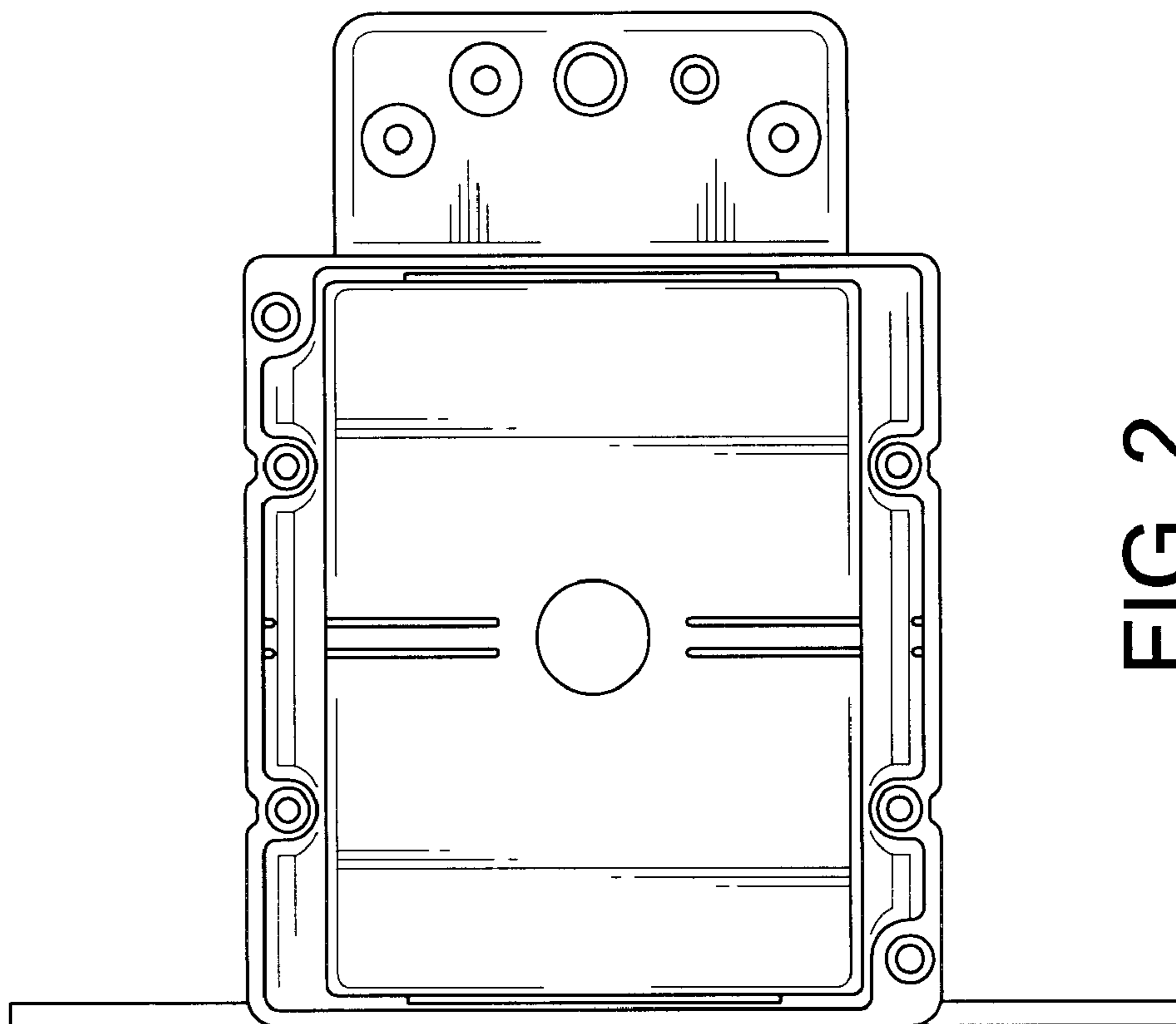


FIG. 2

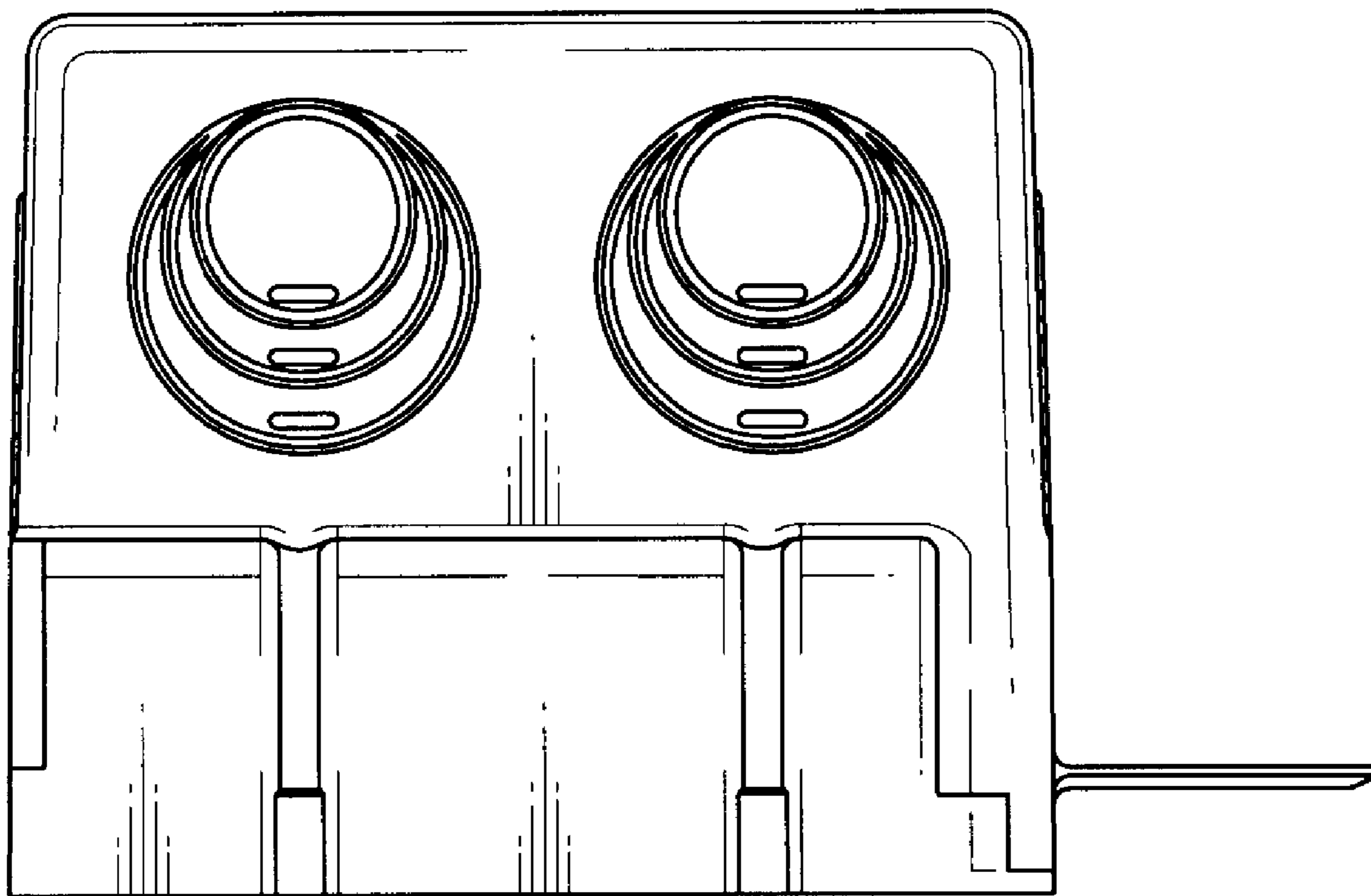


FIG. 4

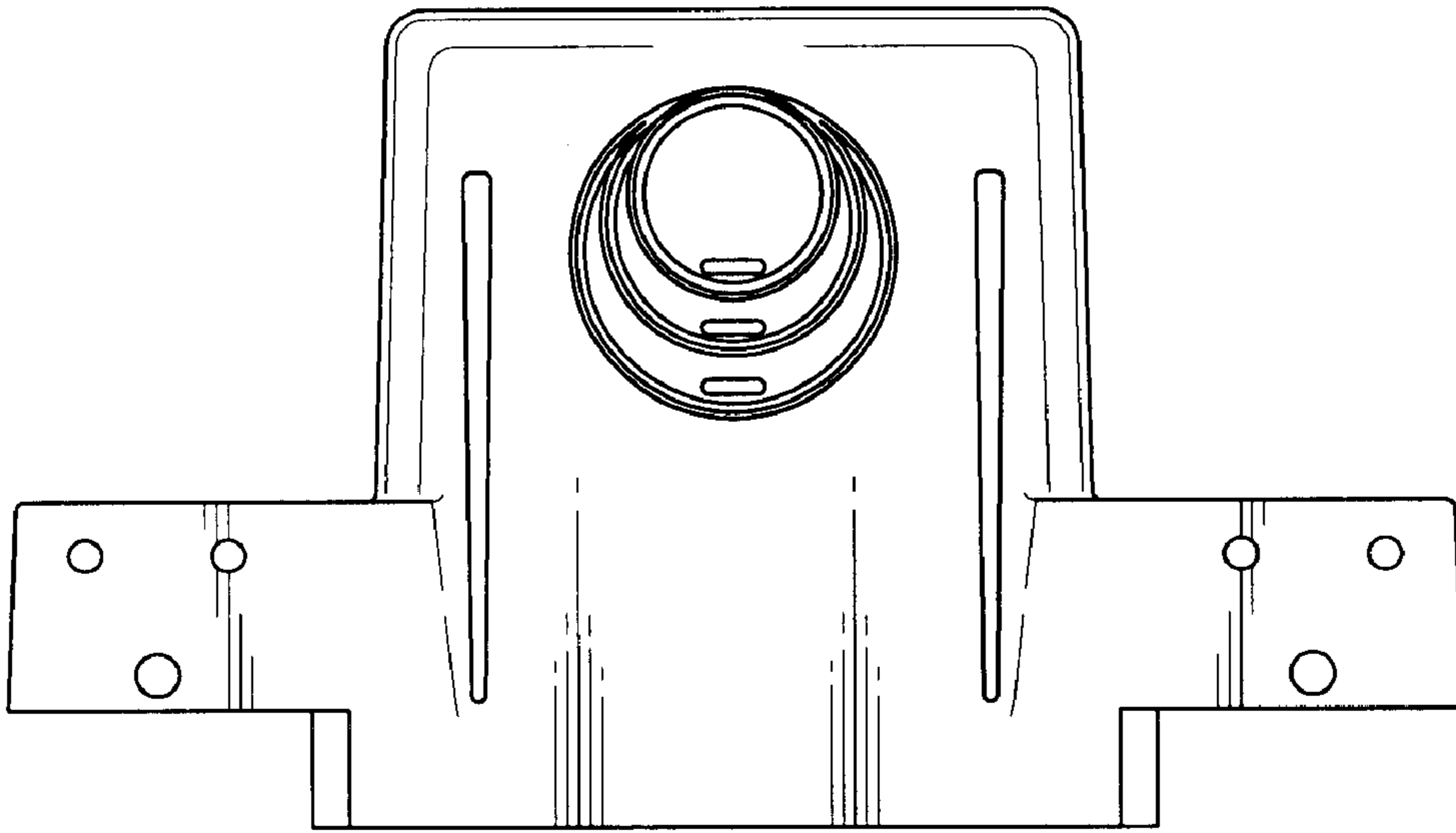


FIG. 6

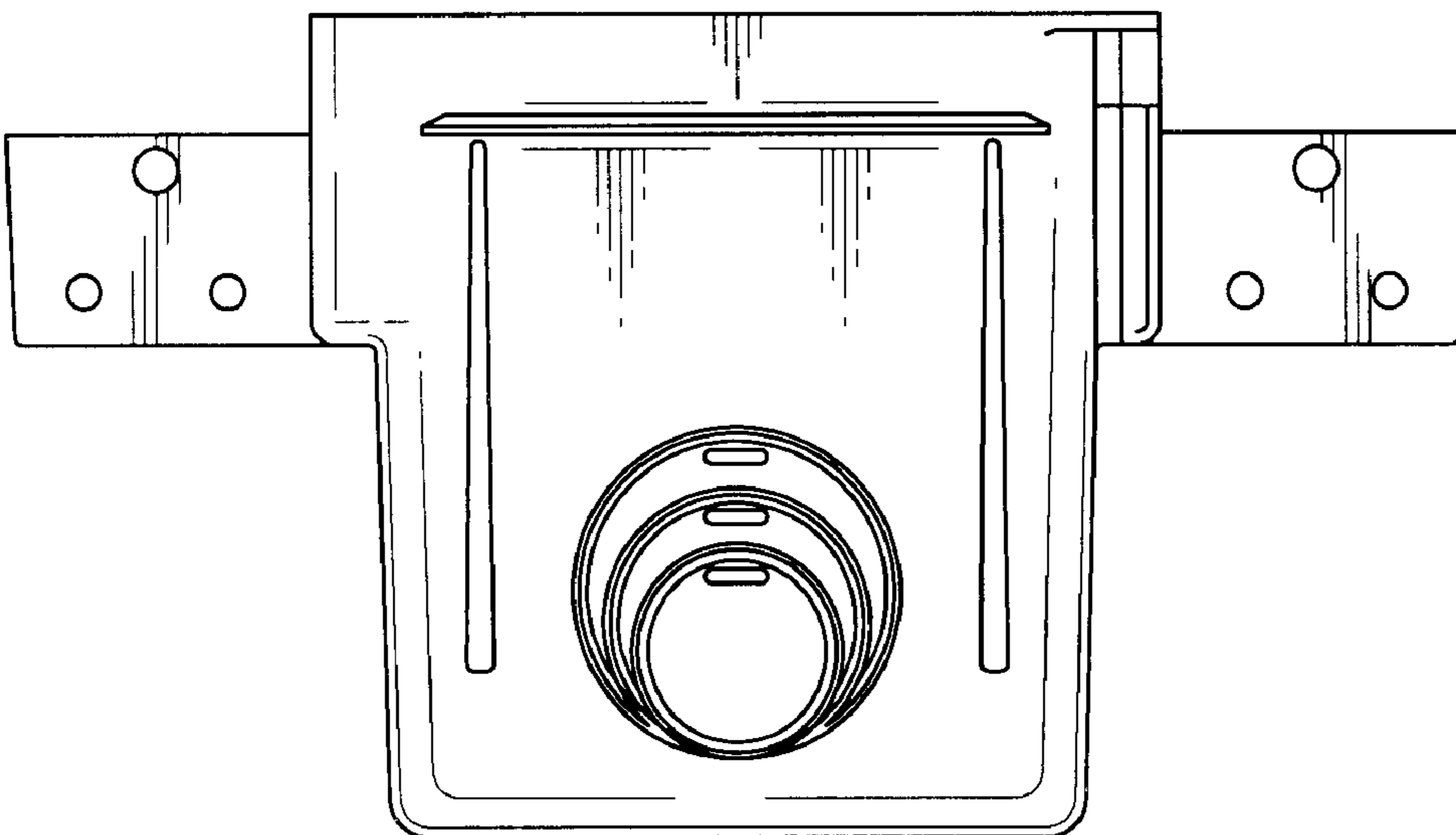


FIG. 5