



US00D519929S

(12) **United States Design Patent**
Huang

(10) **Patent No.:** **US D519,929 S**

(45) **Date of Patent:** **** May 2, 2006**

(54) **ELECTRICAL ADAPTER**

(76) Inventor: **George Ying-Liang Huang**, 9
Studebaker, Irvine, CA (US) 92618

(**) Term: **14 Years**

(21) Appl. No.: **29/229,649**

(22) Filed: **May 9, 2005**

(51) **LOC (8) Cl.** **13-03**

(52) **U.S. Cl.** **D13/147**

(58) **Field of Classification Search** D13/133,
D13/146, 147, 184, 199; 439/352, 359, 362,
439/610, 638

See application file for complete search history.

(56) **References Cited**

U.S. PATENT DOCUMENTS

D312,816 S	*	12/1990	Huang	D13/147
D319,431 S	*	8/1991	Constien	D13/184
D333,460 S	*	2/1993	Huang	D13/147
6,439,916 B1	*	8/2002	Kuo	439/362

D495,300 S	*	8/2004	Huang	D13/147
D495,660 S	*	9/2004	Huang	D13/147
D503,681 S	*	4/2005	Huang	D13/147

* cited by examiner

Primary Examiner—Stella Reid

Assistant Examiner—Daniel Bui

(74) *Attorney, Agent, or Firm*—Darby & Darby

(57) **CLAIM**

The ornamental design for an electrical adapter, as shown and described.

DESCRIPTION

FIG. 1 is a perspective view of an electrical adapter showing my new design;

FIG. 2 is a front elevational view thereof;

FIG. 3 is a rear elevational view thereof;

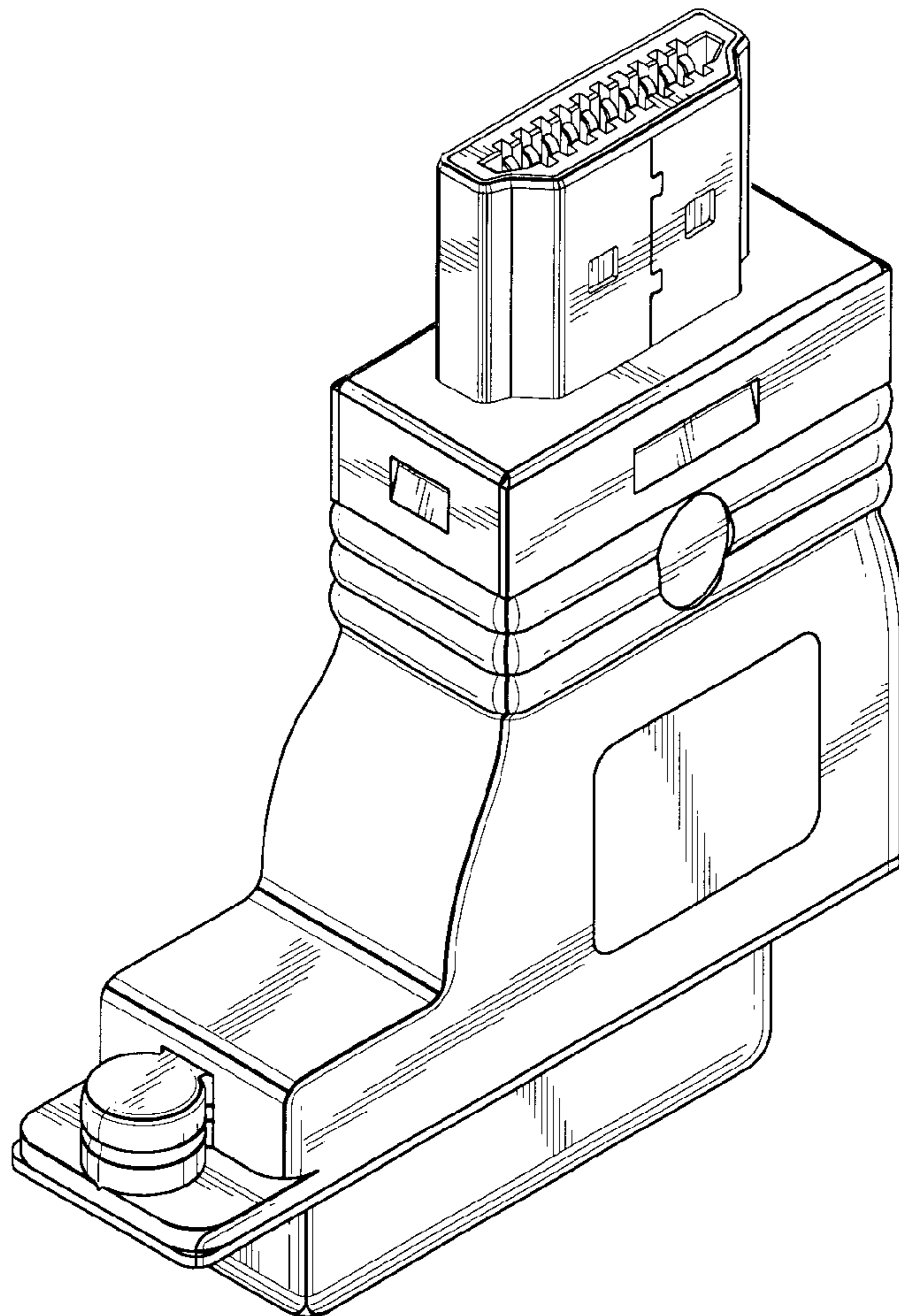
FIG. 4 is a left side elevational view thereof;

FIG. 5 is a right side elevational view thereof;

FIG. 6 is a top plan view thereof; and,

FIG. 7 is a bottom plan view thereof.

1 Claim, 4 Drawing Sheets



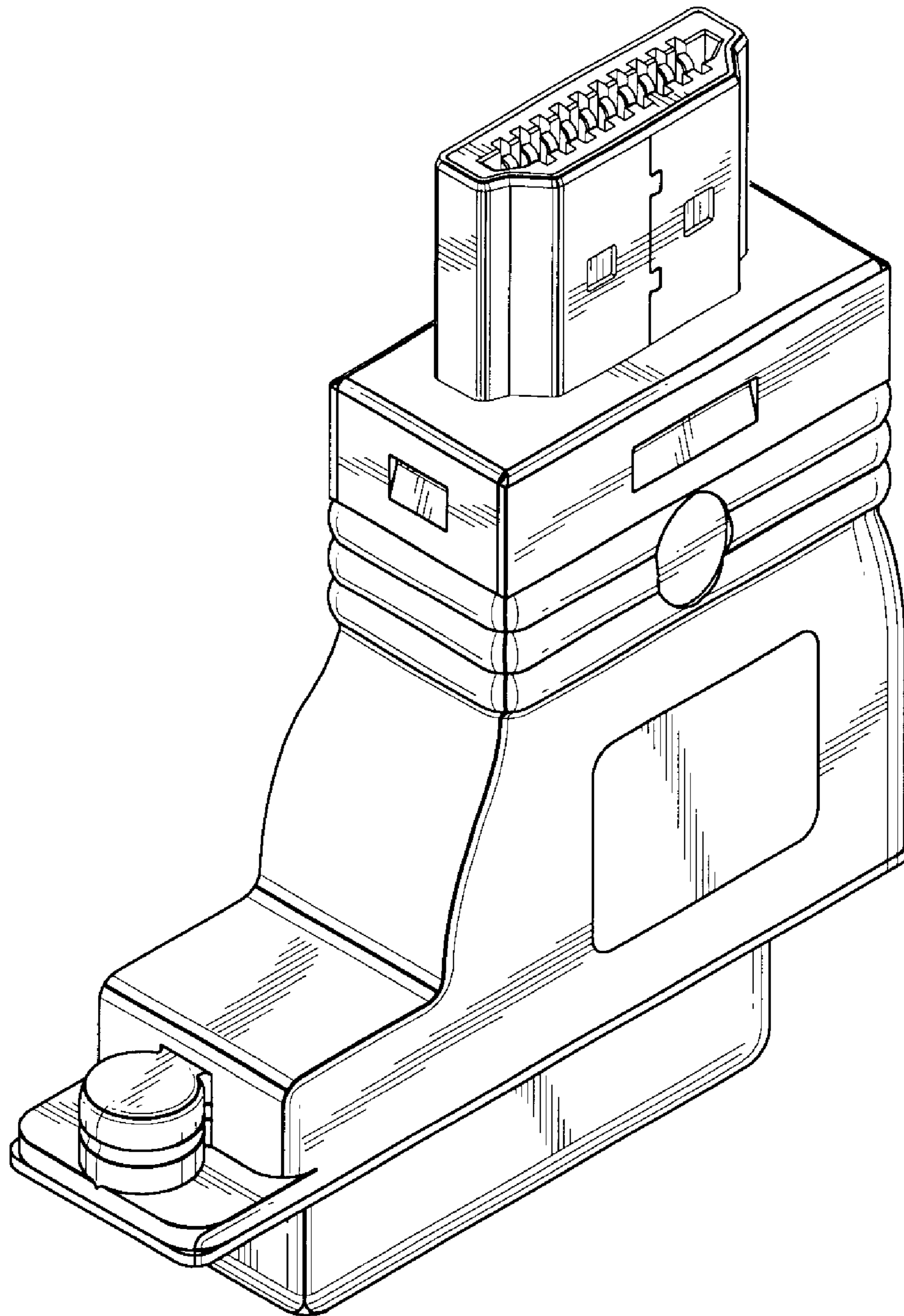


FIG. 1

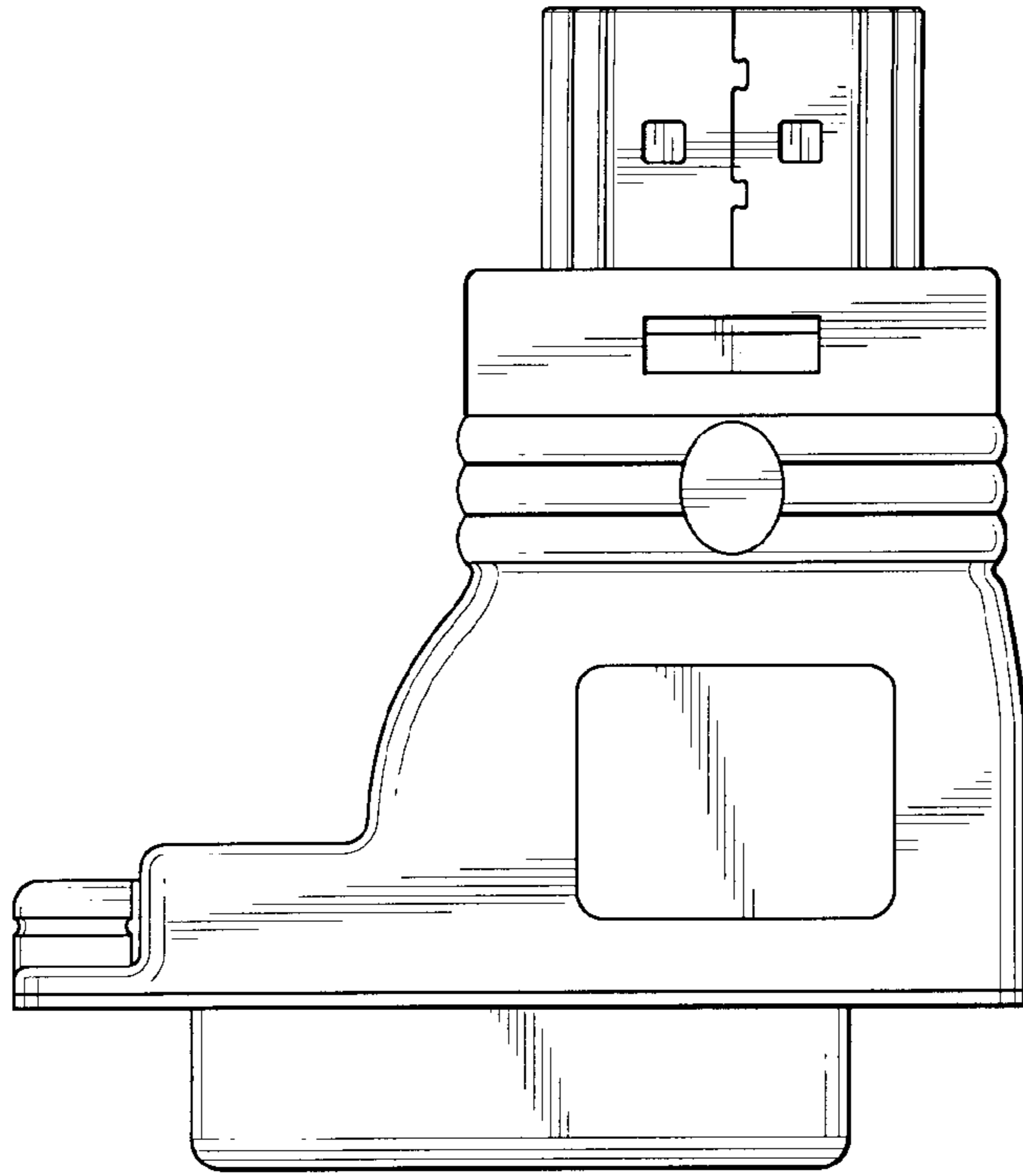


FIG. 2

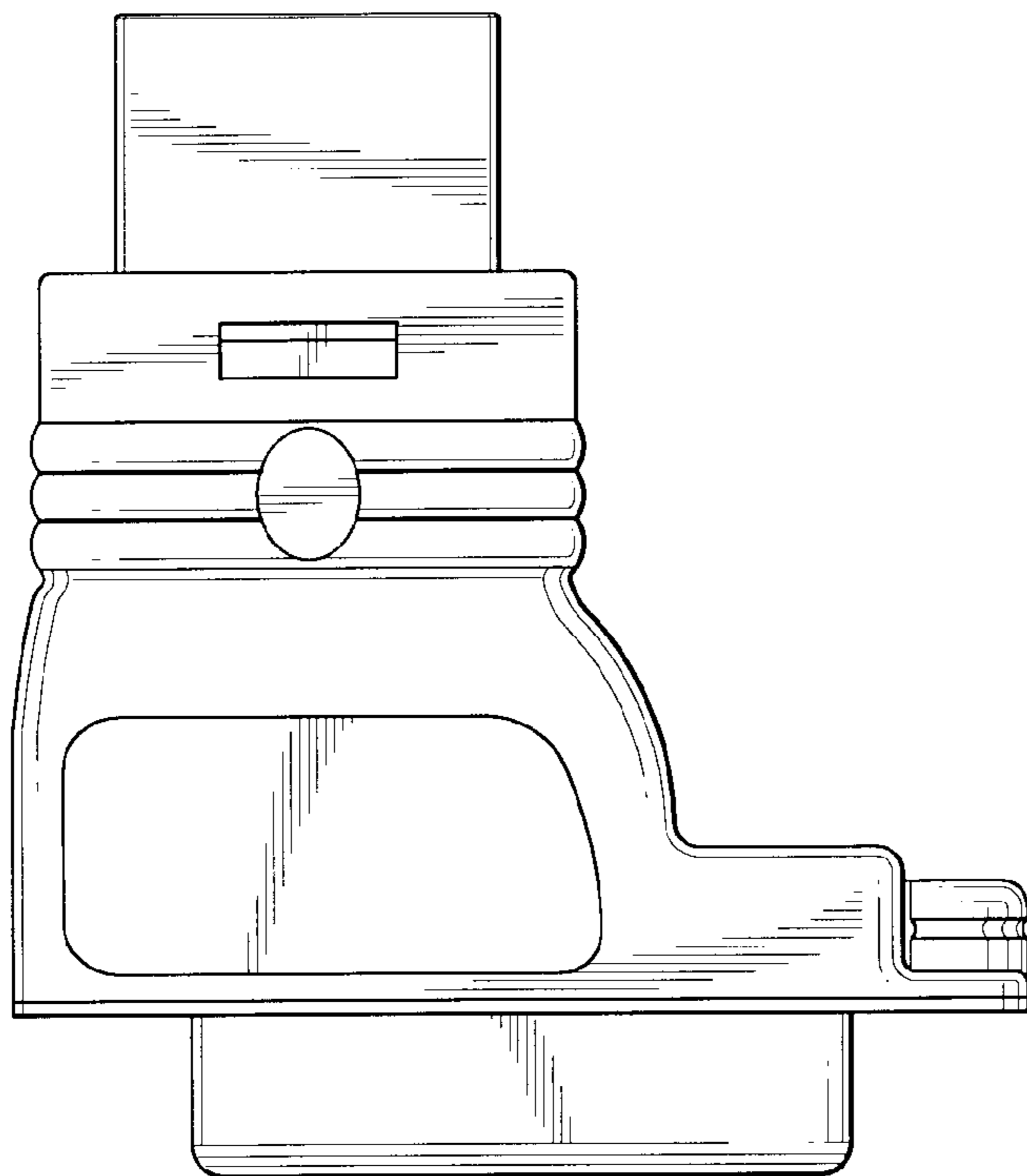


FIG. 3

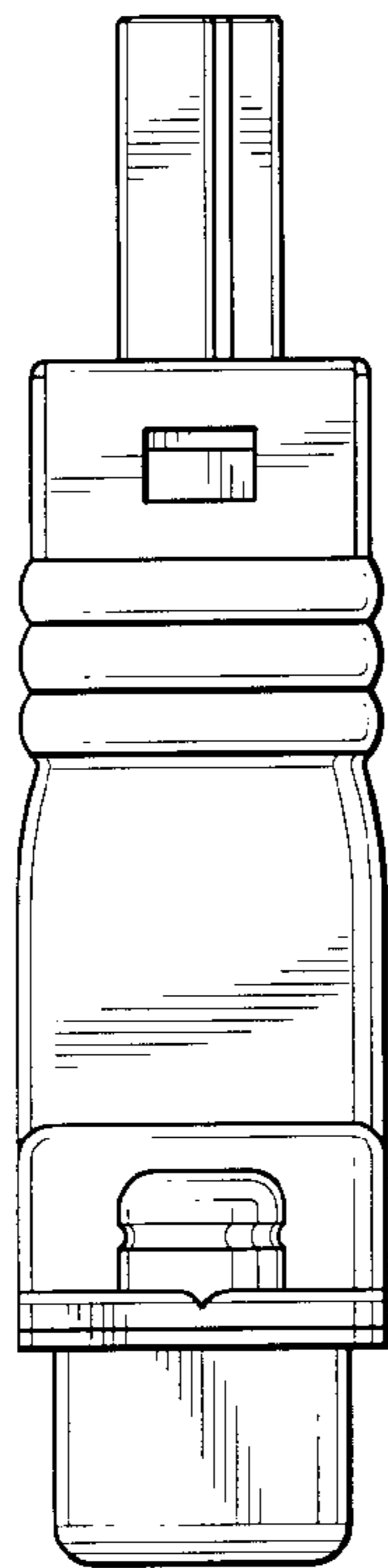


FIG. 4

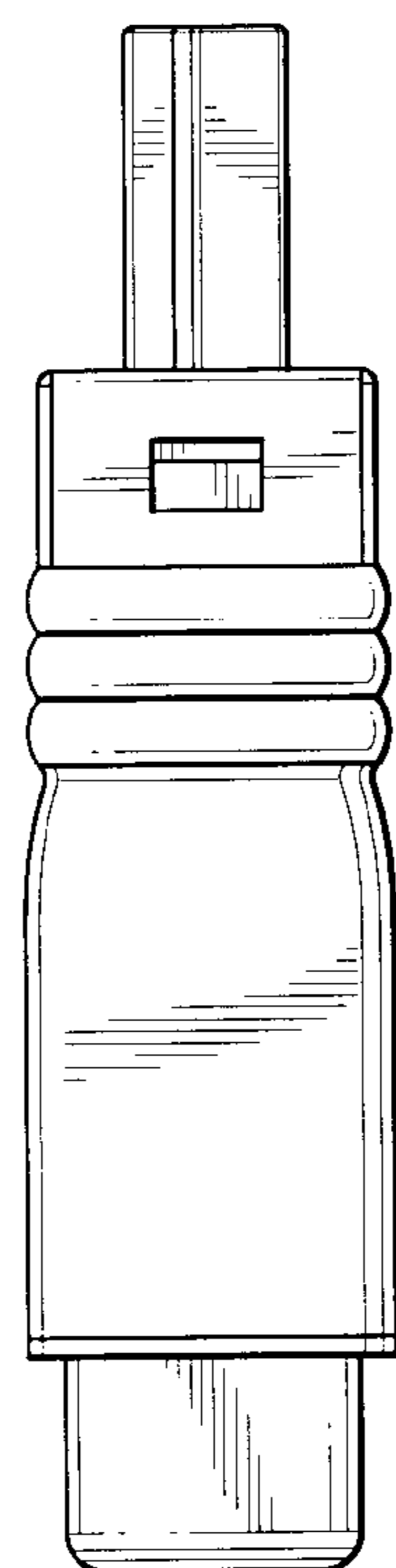


FIG. 5

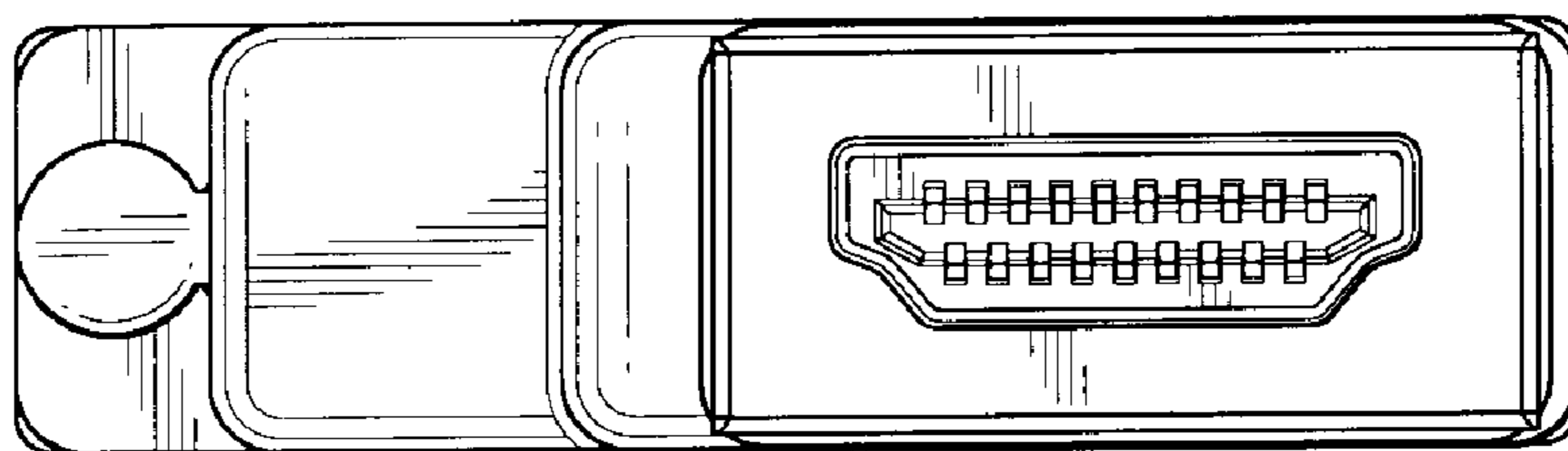


FIG. 6

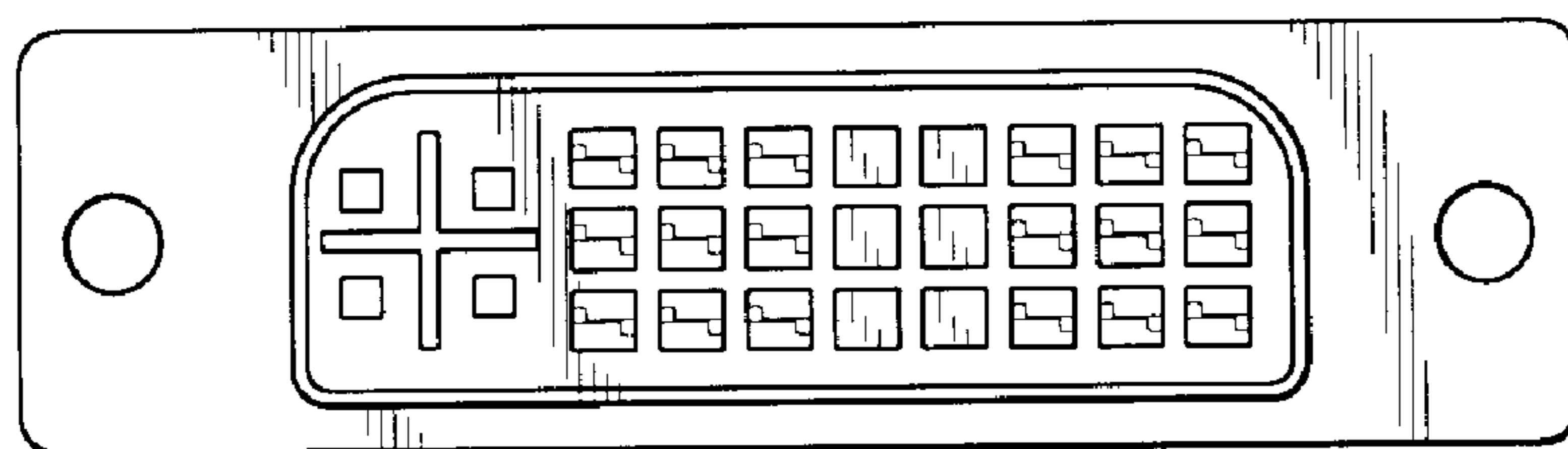


FIG. 7