



US00D519927S

(12) **United States Design Patent**
Sung et al.

(10) **Patent No.:** **US D519,927 S**

(45) **Date of Patent:** **** May 2, 2006**

(54) **MULTI-OUTLET POWER STRIP**

(75) Inventors: **Allen L. Sung**, Markham (CA); **Minh H. Quach**, Richmond Hill (CA)

(73) Assignee: **Ultralink Products Inc.**, Markham (CA)

(**) Term: **14 Years**

(21) Appl. No.: **29/226,076**

(22) Filed: **Mar. 23, 2005**

(51) **LOC (8) Cl.** **13-03**

(52) **U.S. Cl.** **D13/139.8**

(58) **Field of Classification Search** .. D13/137.1-139.8,
D13/124, 160, 162, 164, 178; 361/118, 119;
439/106-108, 188, 535, 650-654
See application file for complete search history.

D399,824 S * 10/1998 Heung et al. D13/139.6
D399,825 S * 10/1998 Heung et al. D13/139.6
D401,221 S 11/1998 Dwight et al.
D409,978 S * 5/1999 Stekelenburg D13/139.6
D440,540 S 4/2001 Loh
D443,250 S * 6/2001 Lee D13/139.8
D443,591 S * 6/2001 Tong et al. D13/139.8
D446,189 S 8/2001 Lee
D458,225 S * 6/2002 Stekelenburg D13/139.8
D467,875 S * 12/2002 Barger et al. D13/139.8
D484,098 S * 12/2003 Lee D13/139.8

* cited by examiner

Primary Examiner—Alan P. Douglas

Assistant Examiner—Rosemary K. Tarcza

(74) *Attorney, Agent, or Firm*—Woodling, Krost & Rust

(57) **CLAIM**

The ornamental design for a “multi-outlet power strip,” as shown and described.

(56) **References Cited**

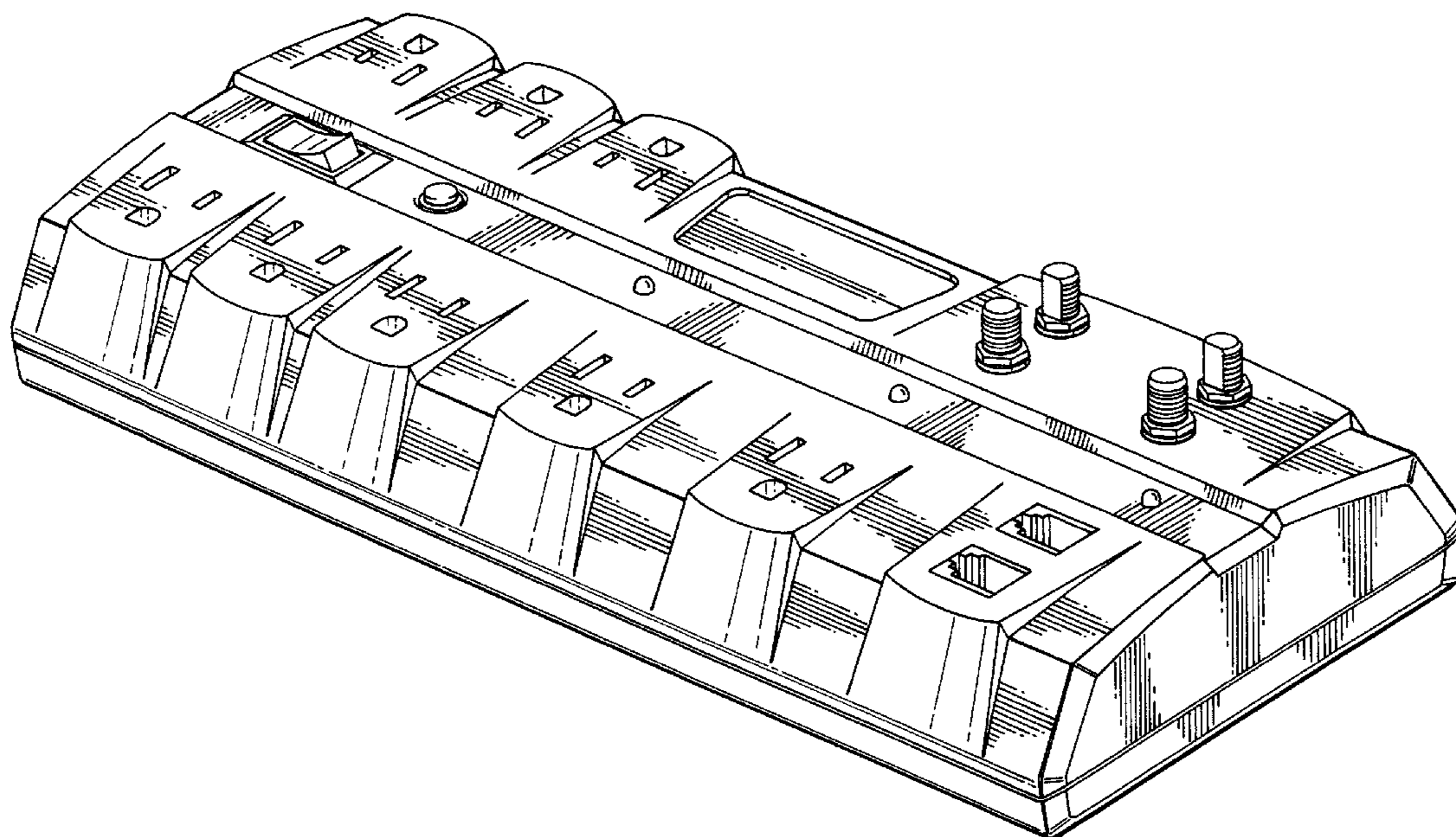
U.S. PATENT DOCUMENTS

D284,758 S 7/1986 Maloney
D354,731 S 1/1995 Lee
D356,294 S 3/1995 Fladung
D368,893 S * 4/1996 Harwood et al. D13/139.8
D382,855 S * 8/1997 Salmond et al. D13/139.8
D390,190 S * 2/1998 Stekelenburg D13/139.7
D397,087 S * 8/1998 Heung et al. D13/139.6
D397,088 S * 8/1998 Heung et al. D13/139.6
D397,089 S 8/1998 Gargano

DESCRIPTION

FIG. 1 is a front perspective view of our new design;
FIG. 2 is a top view thereof;
FIG. 3 is a front elevational view thereof;
FIG. 4 is a left side elevational view thereof;
FIG. 5 is a right side elevational view thereof;
FIG. 6 is a bottom view thereof; and,
FIG. 7 is a rear elevational view thereof.

1 Claim, 4 Drawing Sheets



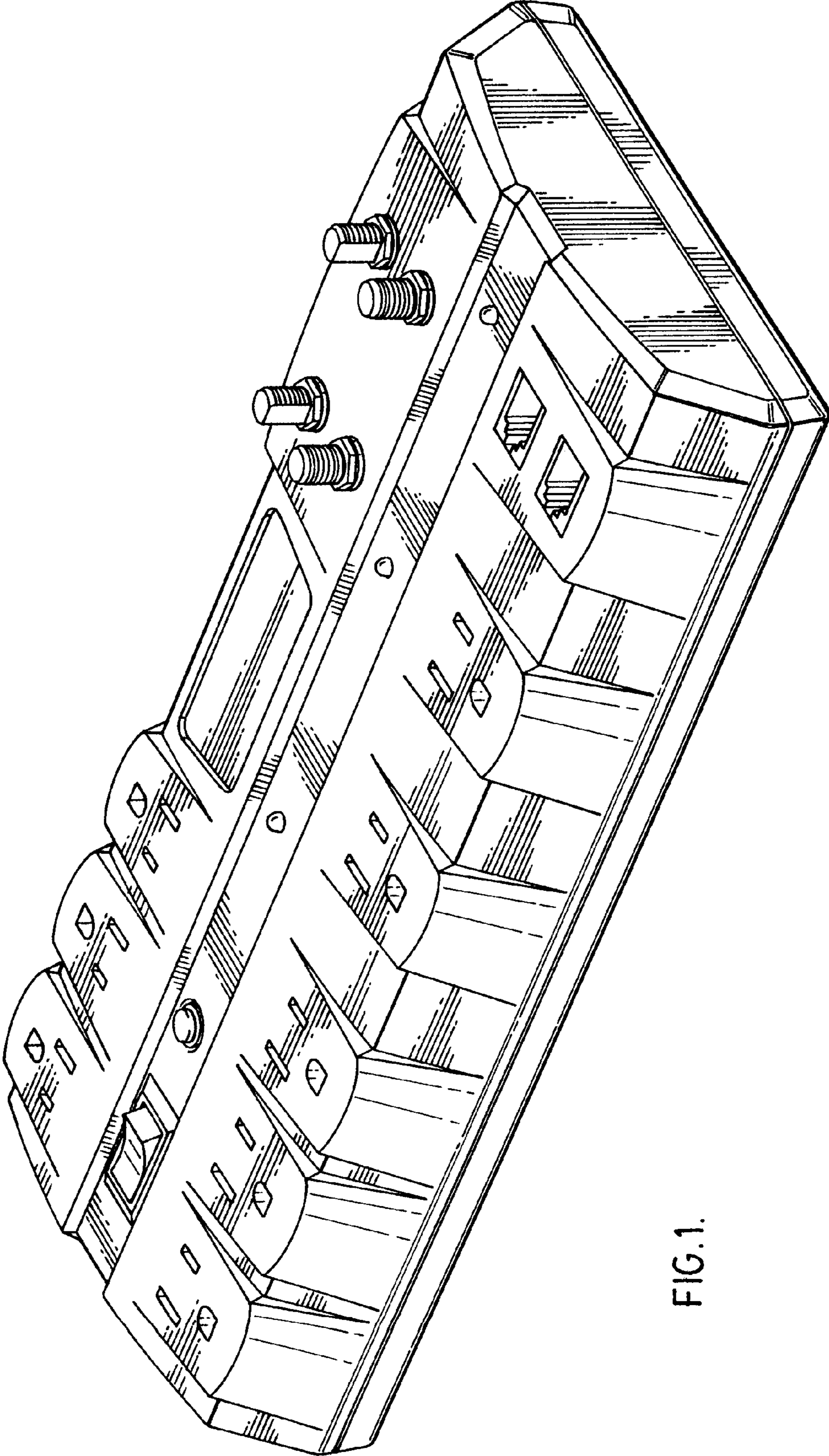


FIG.1.

FIG. 2.

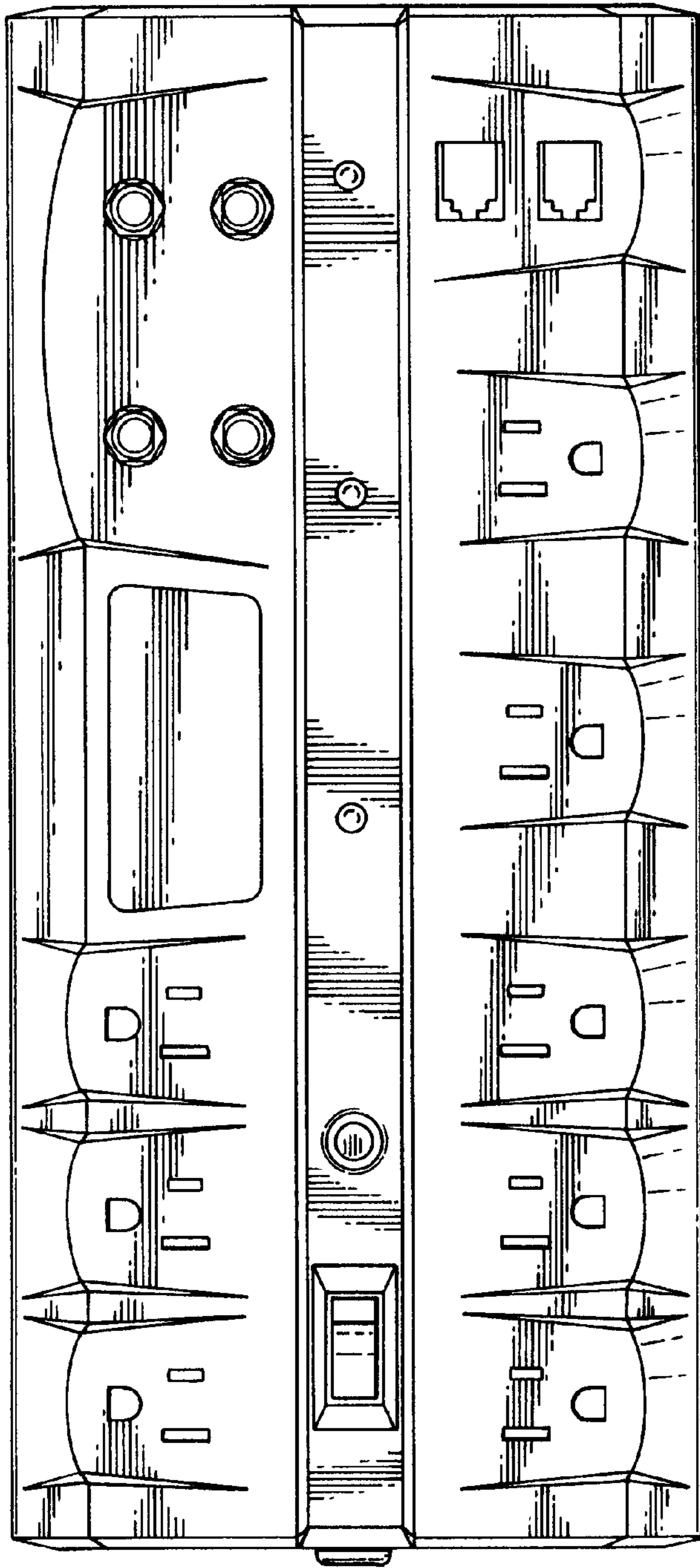
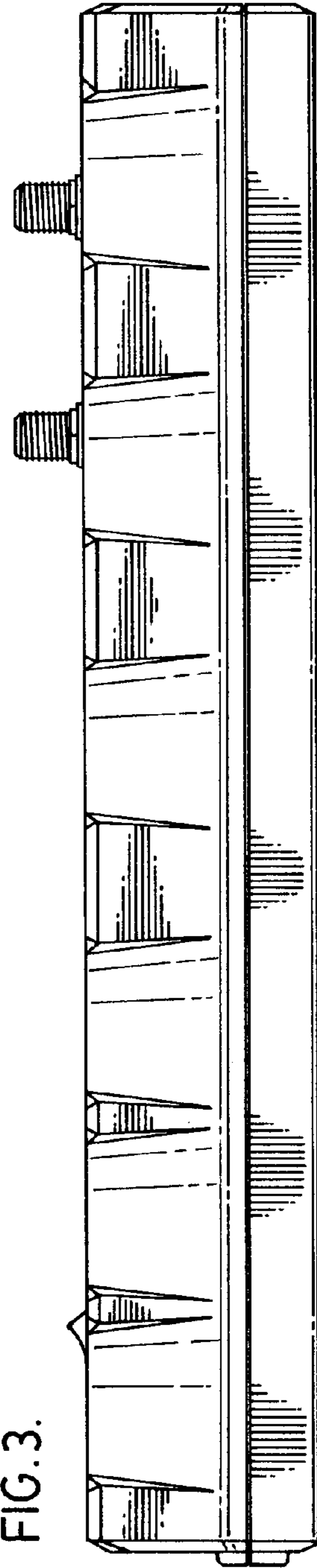


FIG. 3.



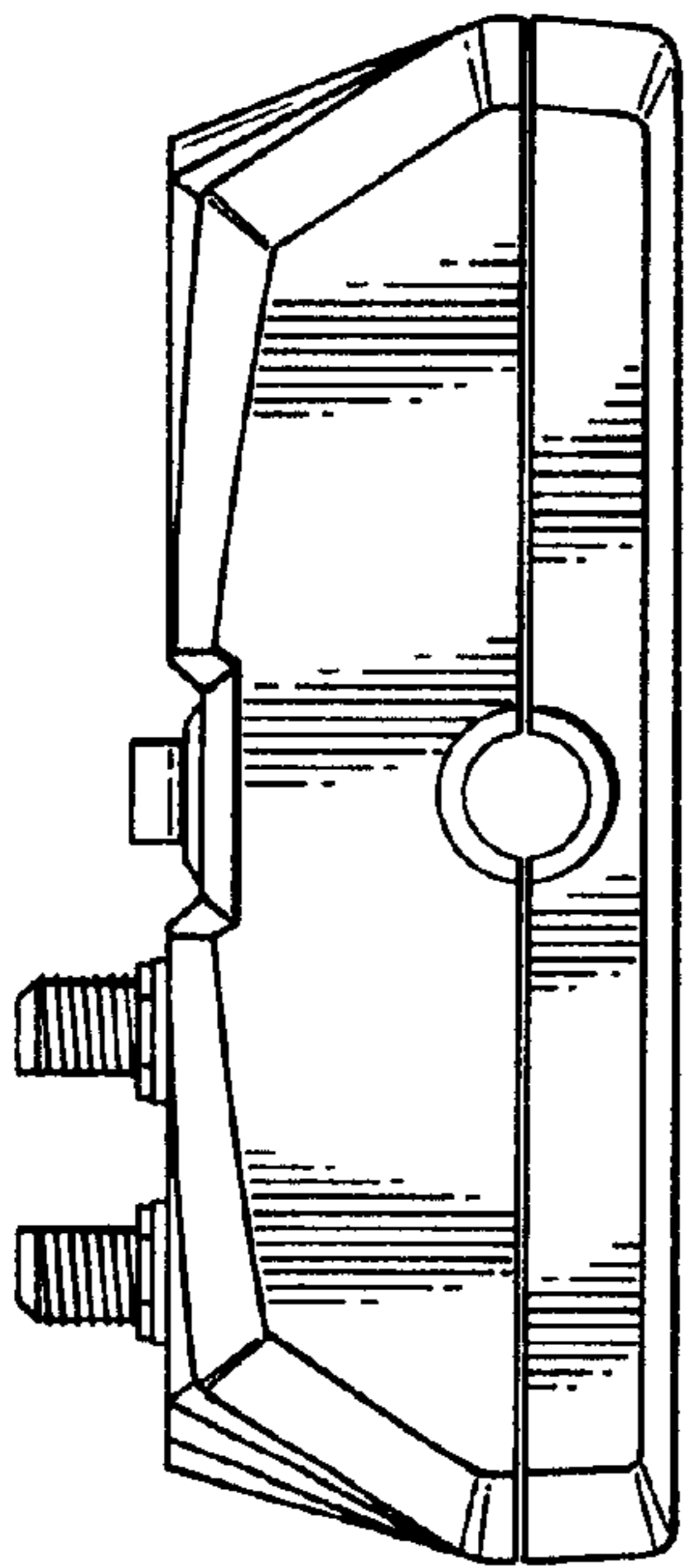


FIG. 4.

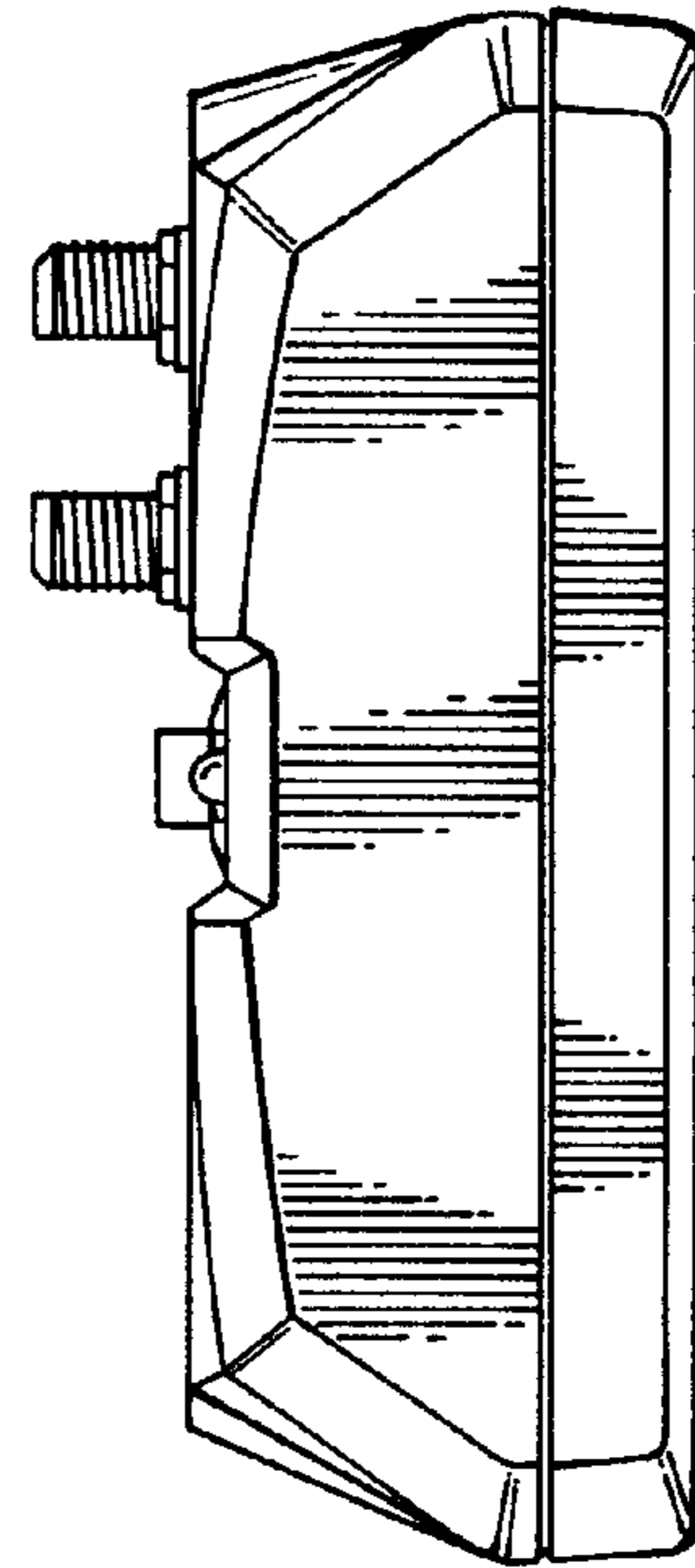


FIG. 5.

