



US00D519923S

(12) **United States Design Patent**
Imai

(10) **Patent No.:** **US D519,923 S**
(45) **Date of Patent:** **** May 2, 2006**

(54) **ENGINE GENERATOR**

FOREIGN PATENT DOCUMENTS

(75) Inventor: **Shuhei Imai**, Wako (JP)
(73) Assignee: **Honda Motor Co., Ltd.**, Tokyo (JP)
(**) Term: **14 Years**

JP D1155256 10/2002

* cited by examiner

Primary Examiner—Stella Reid
Assistant Examiner—Daniel Bui
(74) *Attorney, Agent, or Firm*—Arent Fox

(21) Appl. No.: **29/200,493**
(22) Filed: **Feb. 27, 2004**

(57) **CLAIM**

The ornamental design for an engine generator, as shown and described.

(30) **Foreign Application Priority Data**

DESCRIPTION

Aug. 27, 2003 (JP) 2003-024760

(51) **LOC (8) Cl.** **13-01**

(52) **U.S. Cl.** **D13/116**

(58) **Field of Classification Search** D13/112,
D13/113, 114, 116, 199; 123/2-3; 307/150
See application file for complete search history.

FIG. 1 is a front view of the engine generator showing my new design;
FIG. 2 is a rear view thereof;
FIG. 3 is a plan view thereof;
FIG. 4 is a bottom view thereof;
FIG. 5 is a right side view thereof;
FIG. 6 is a left side view thereof;
FIG. 7 is a front perspective view thereof seen from the right side;
FIG. 8 is a rear perspective view thereof seen from the right side;
FIG. 9 is a rear perspective view thereof seen from the left side;
FIG. 10 is a front reference view thereof with its handle folded down;
FIG. 11 is a rear reference view thereof with its handle folded down; and,
FIG. 12 is a rear reference perspective view thereof with its handle folded down, as seen from the right side.

(56) **References Cited**

U.S. PATENT DOCUMENTS

D138,383 S *	7/1944	Whitesell et al.	D13/110
D276,997 S *	1/1985	Mikado	D13/116
D278,425 S *	4/1985	Toshihiko	D13/116
D382,853 S *	8/1997	Crawford	D13/112
D418,809 S *	1/2000	Frank	D13/112
D489,327 S *	5/2004	Imai	D13/116
6,750,556 B1 *	6/2004	Sodemann et al.	290/1 A
D494,929 S *	8/2004	Imai	D13/116

1 Claim, 6 Drawing Sheets

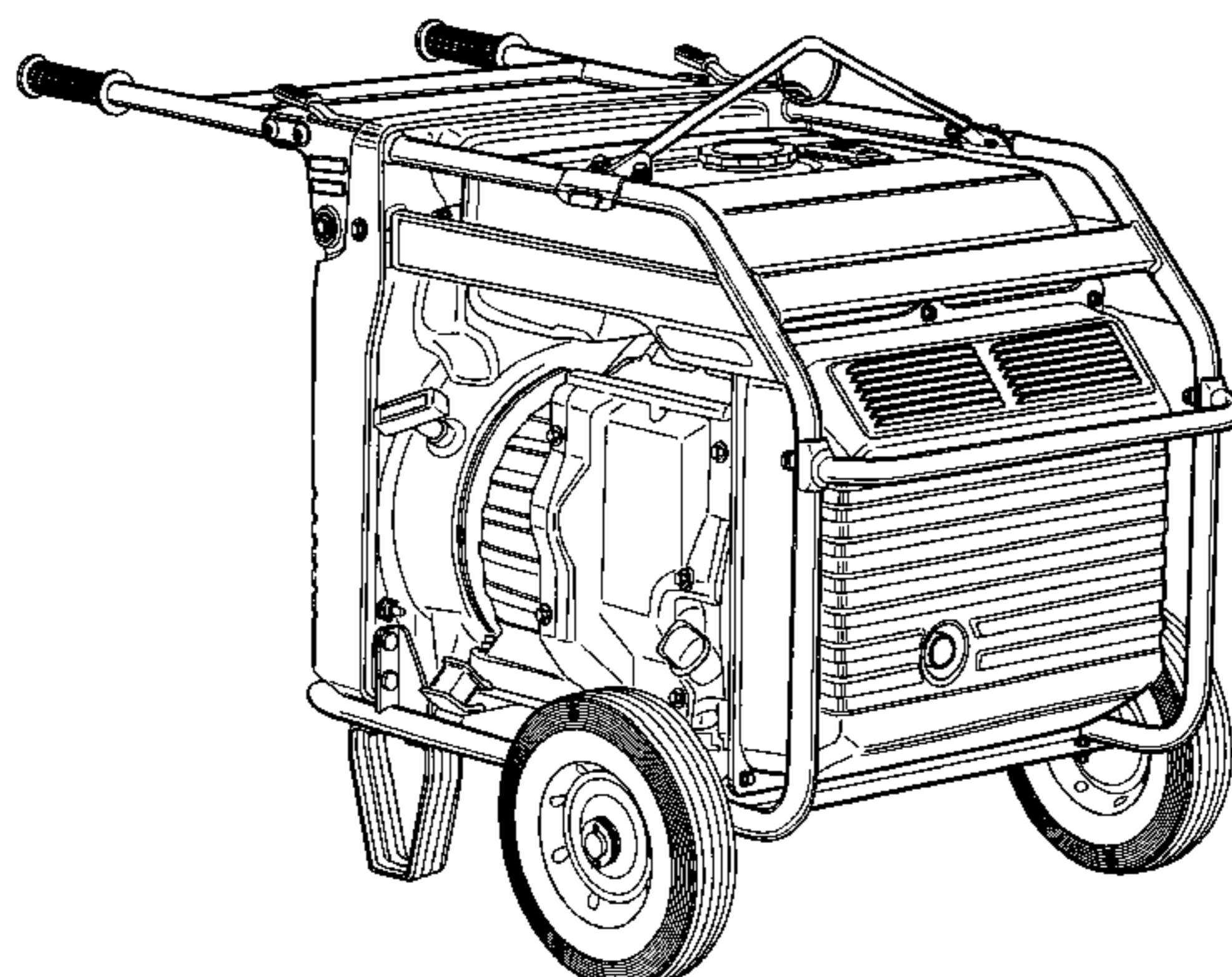
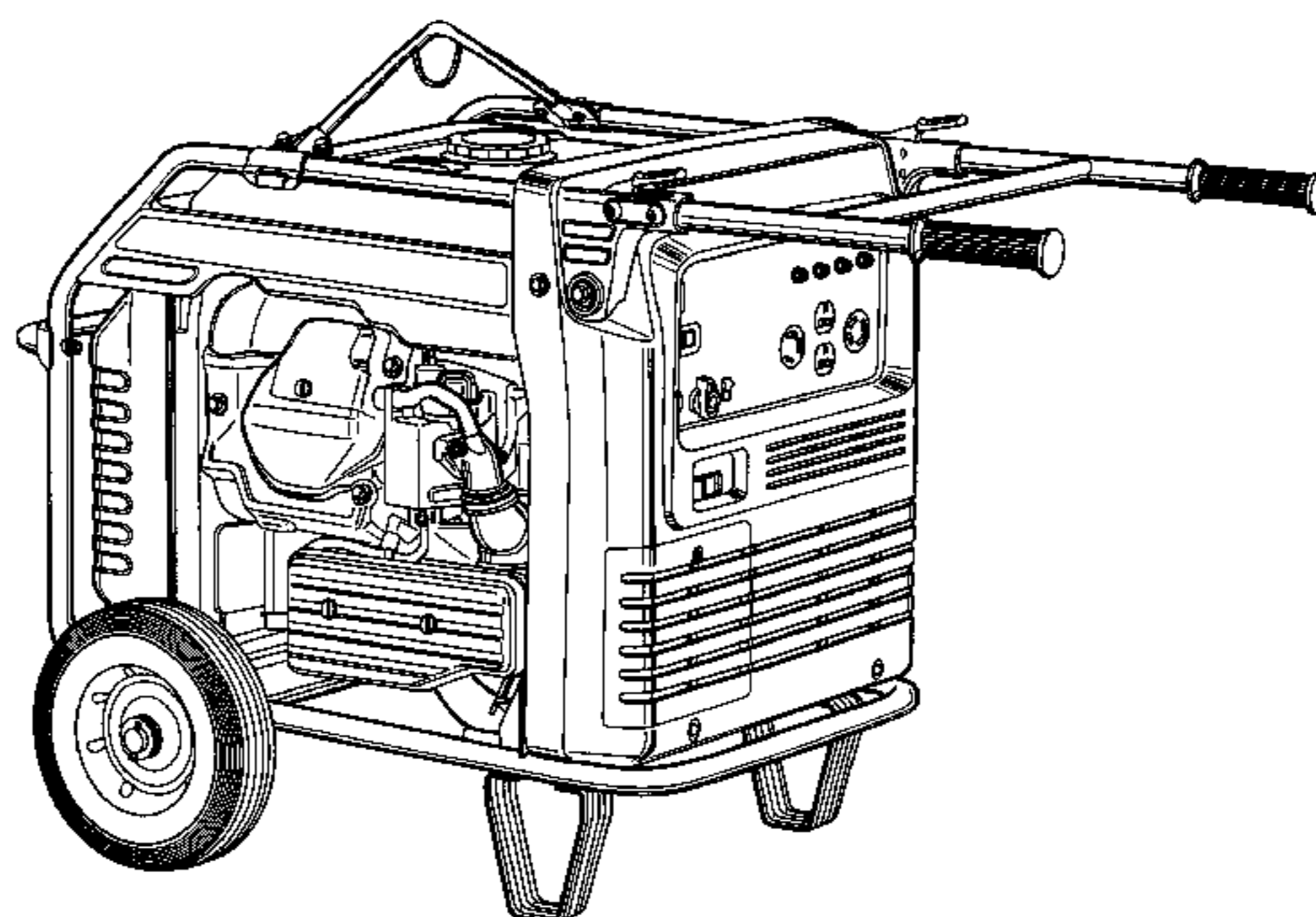


FIG.1

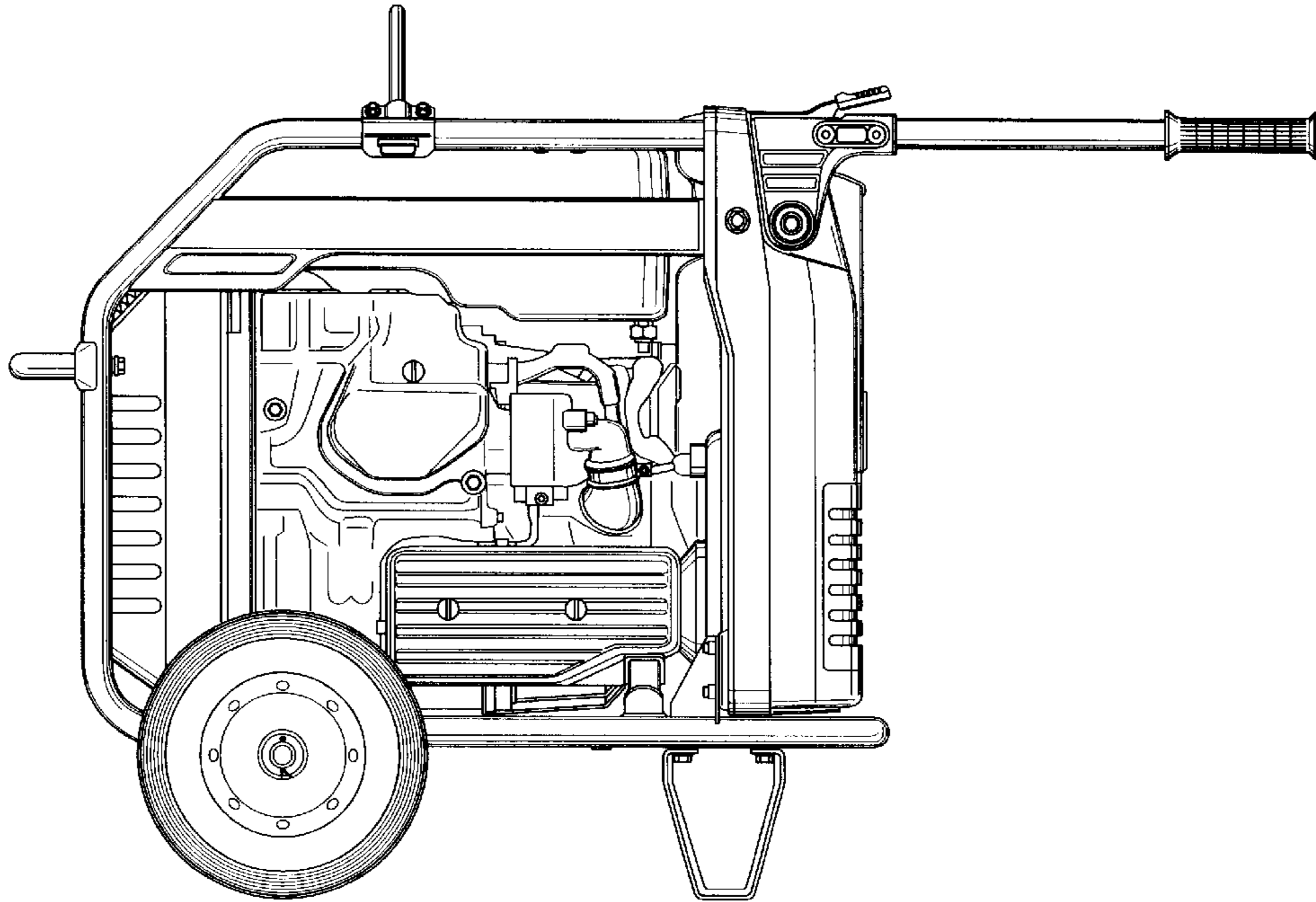


FIG.2

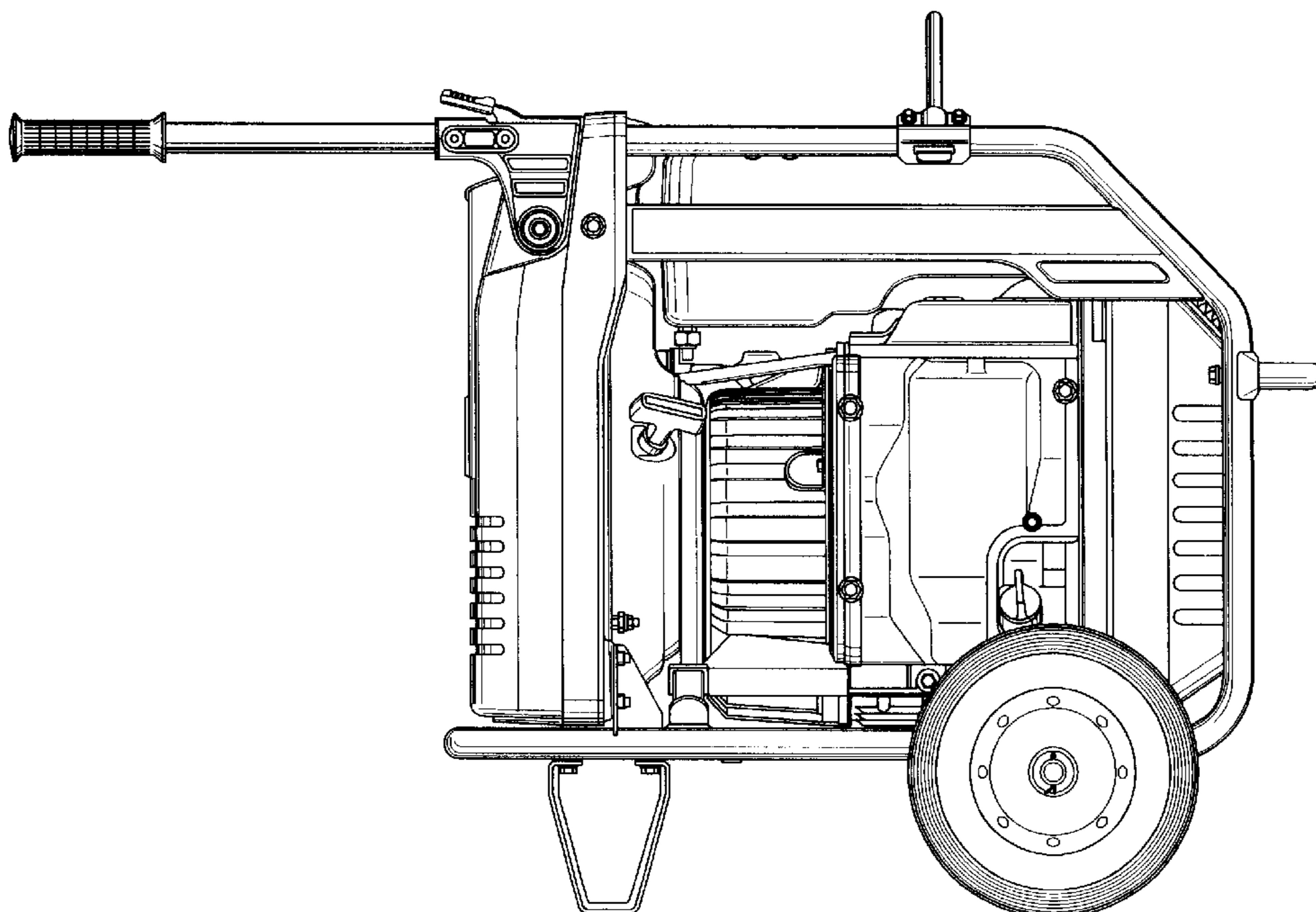


FIG.3

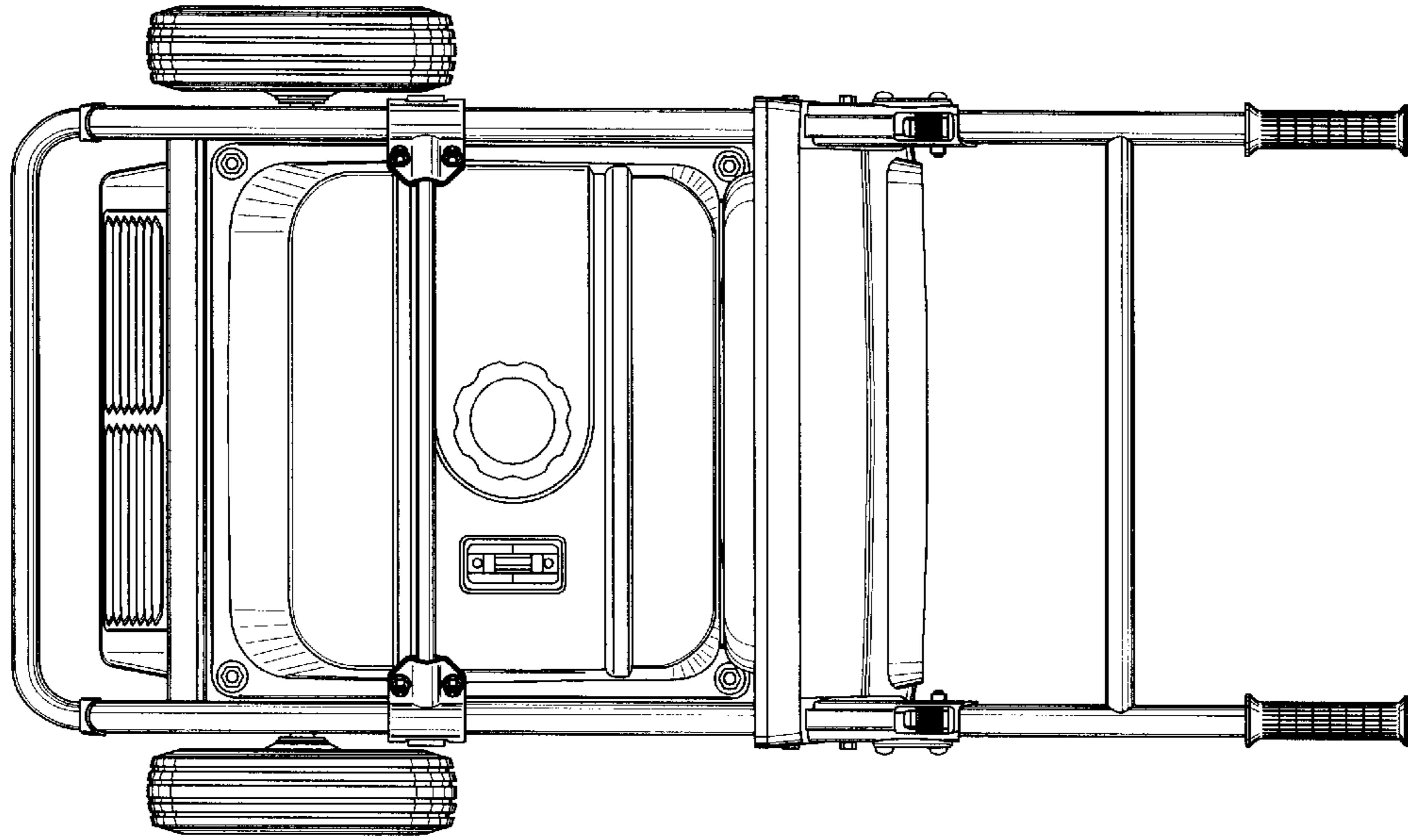


FIG.4

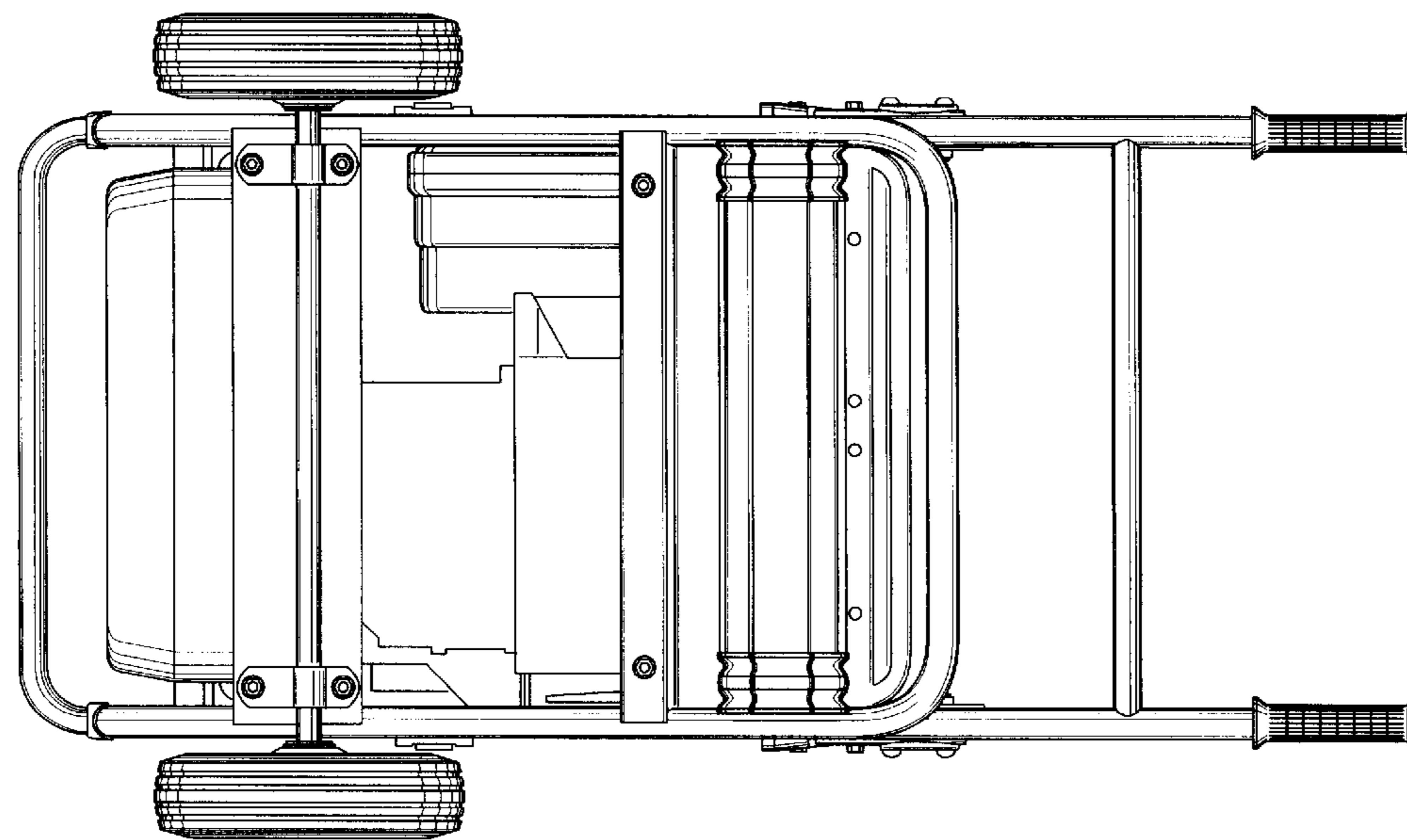


FIG.5

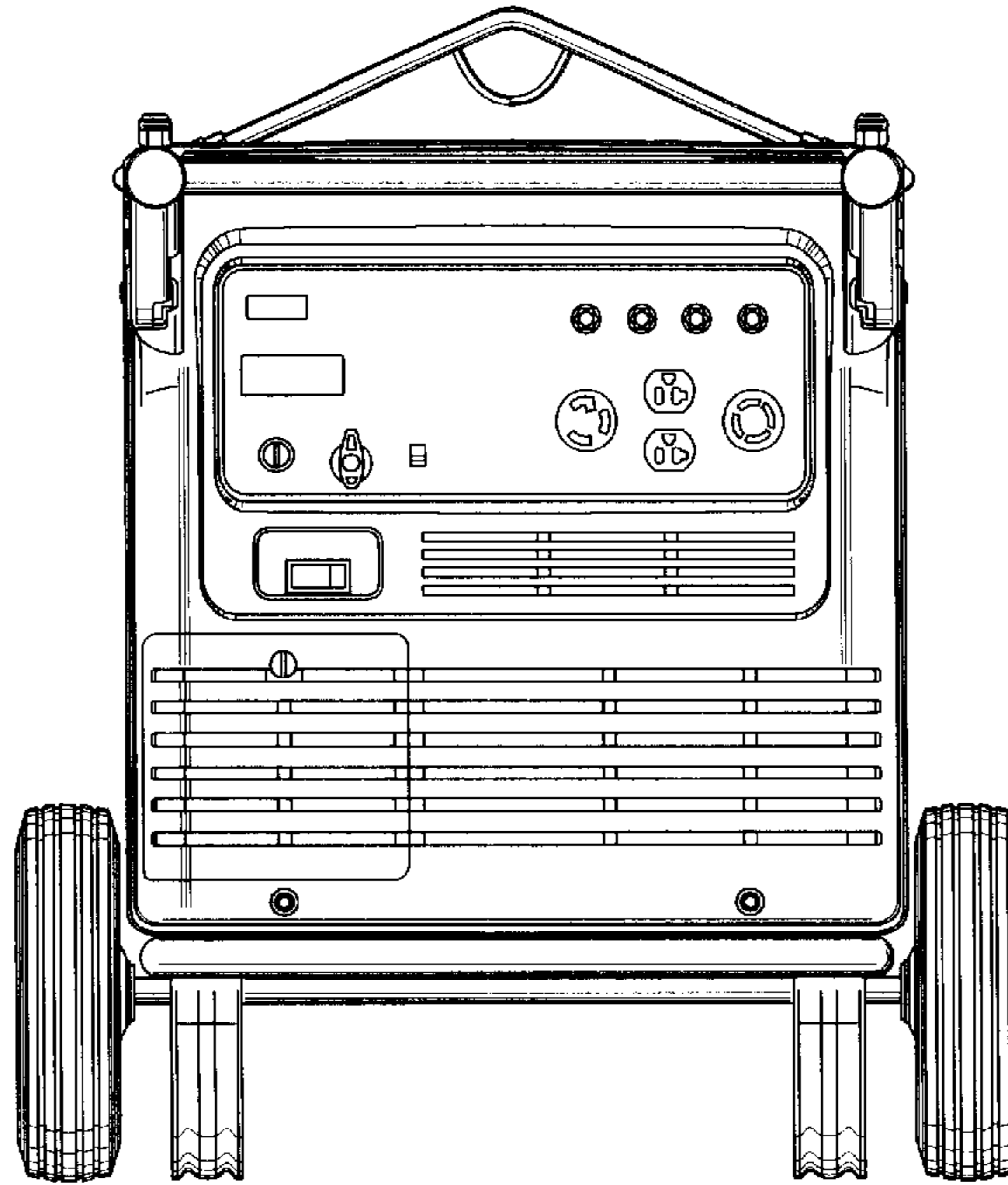


FIG.6

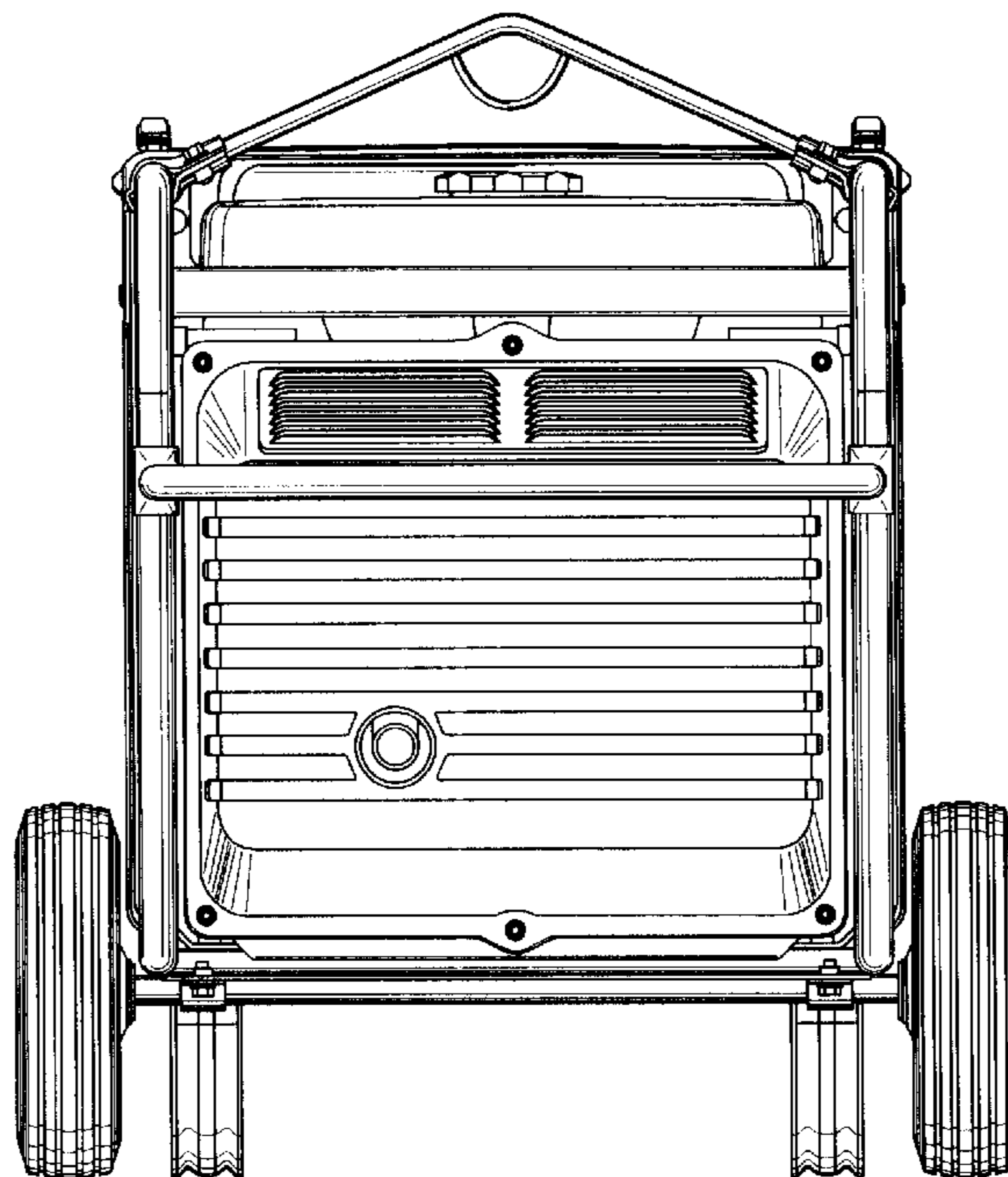


FIG.7

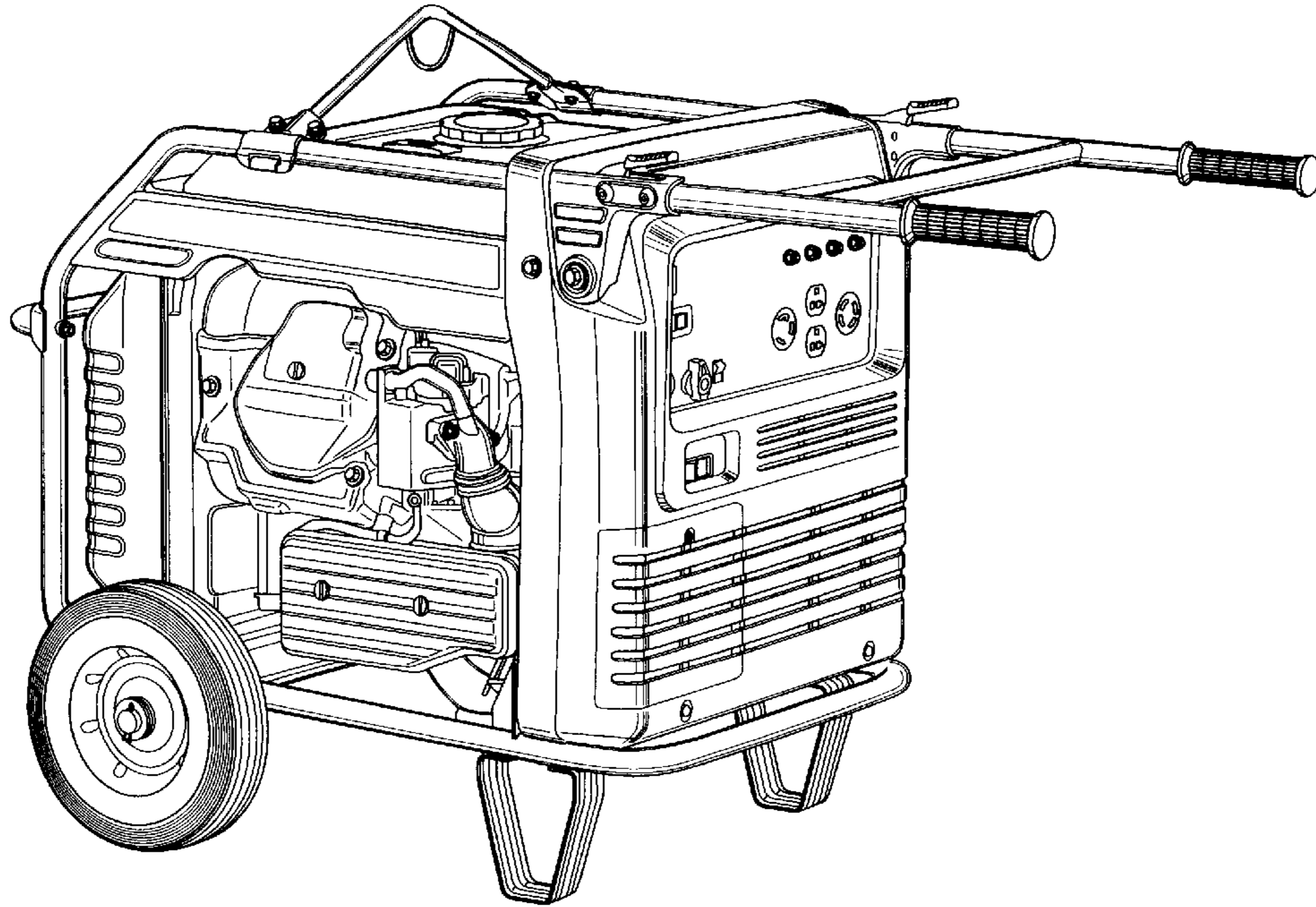


FIG.8

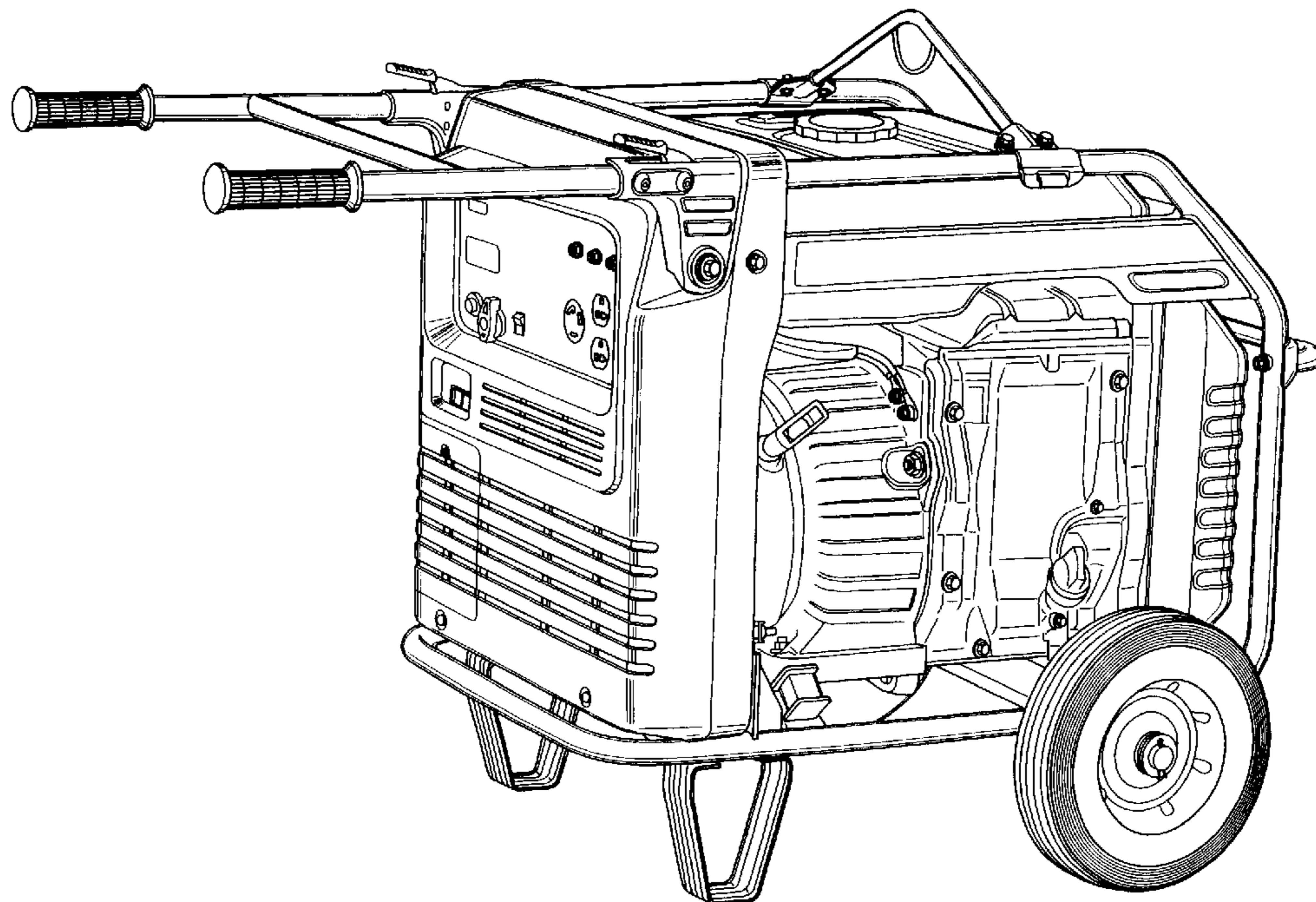


FIG.9

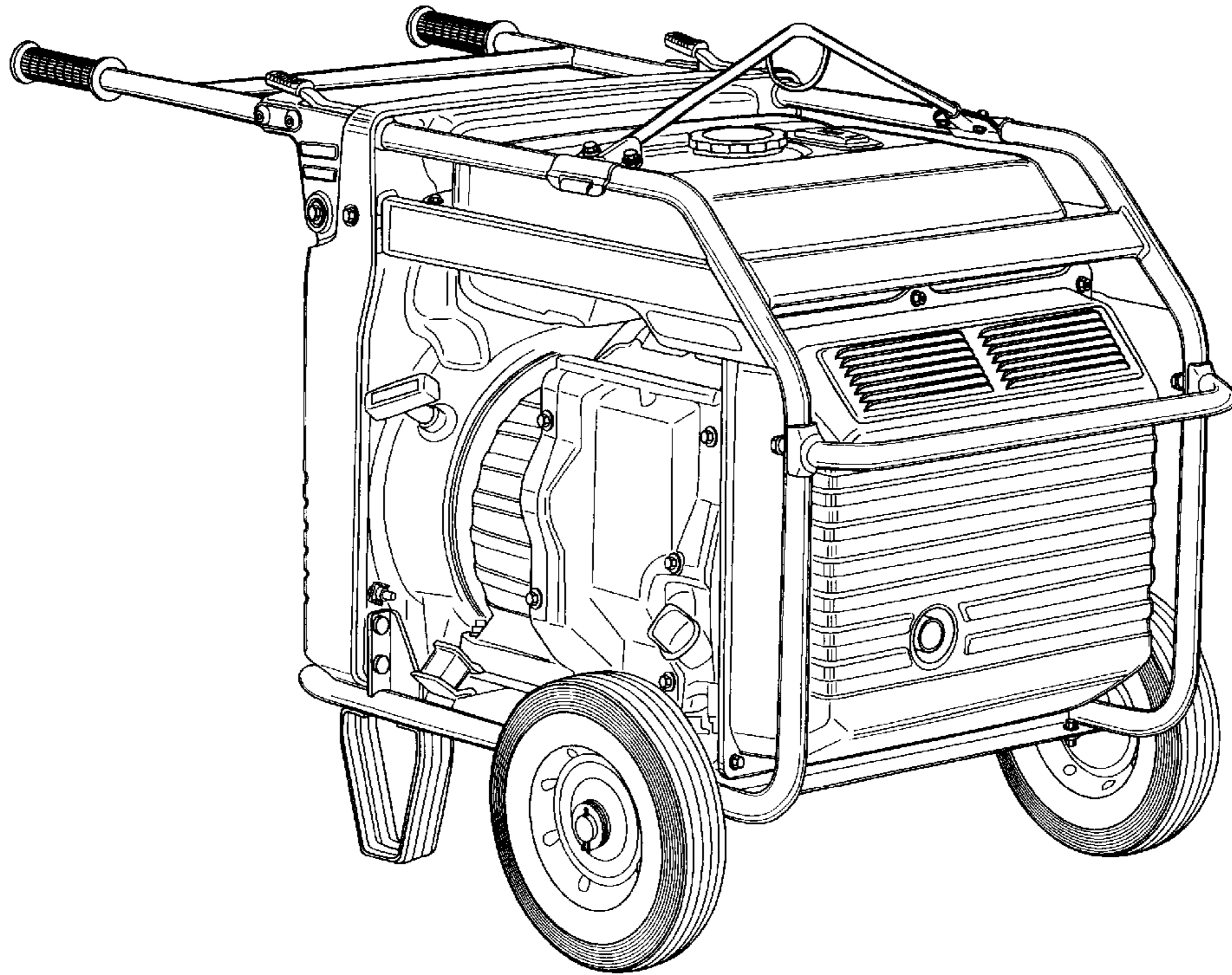


FIG.10

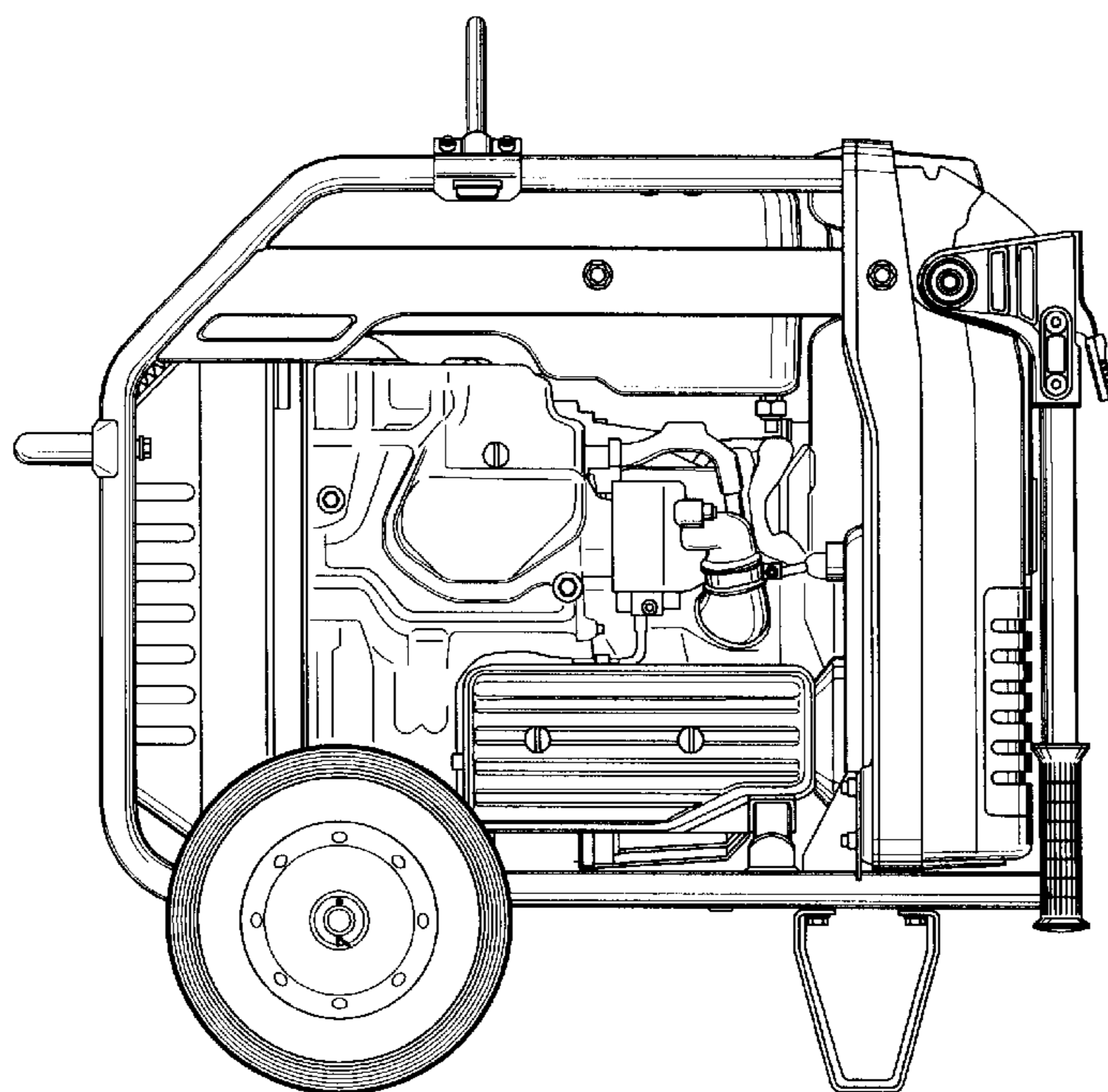


FIG.11

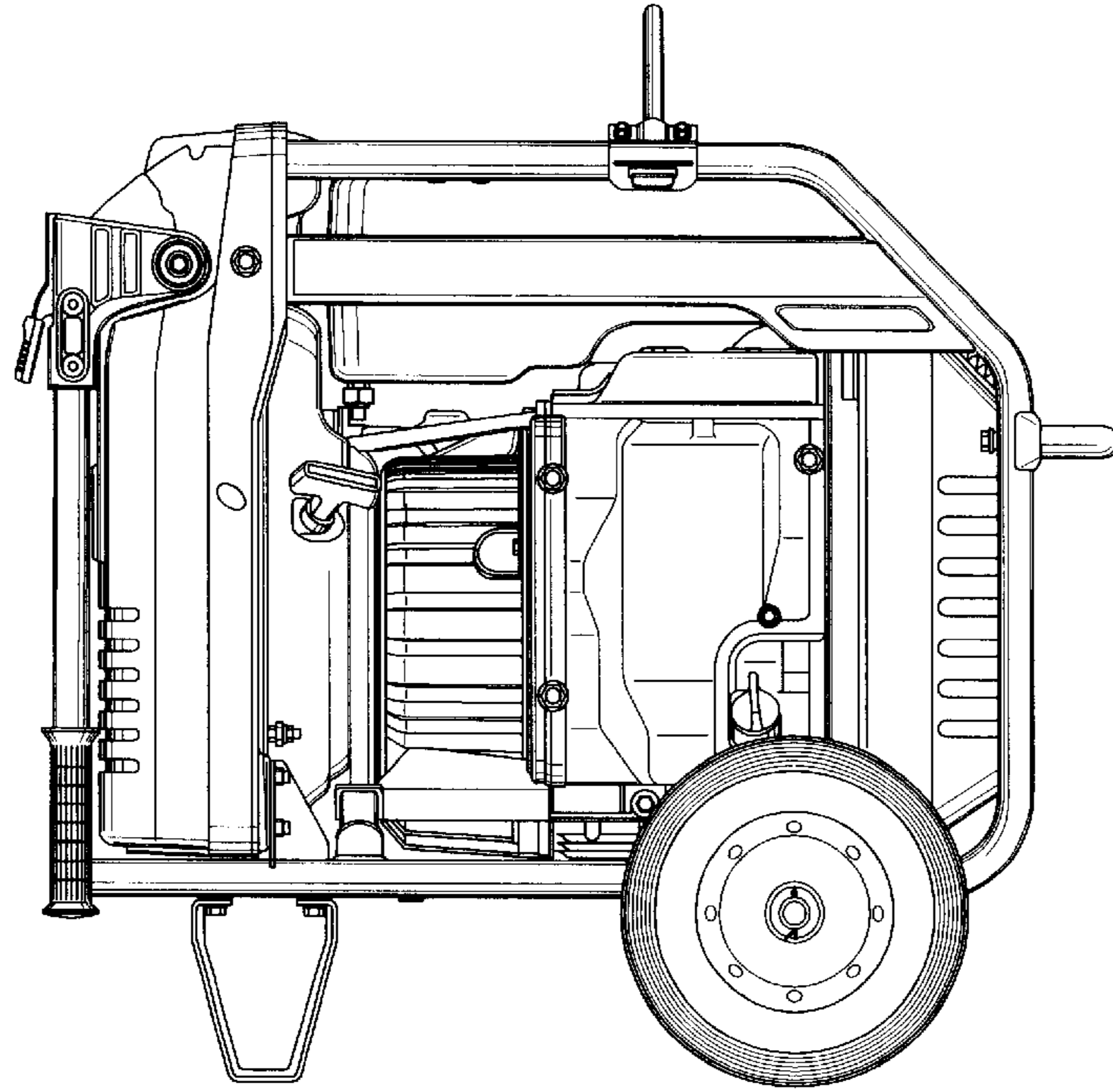


FIG.12

