



US00D519918S

(12) **United States Design Patent**  
**Wilson et al.**

(10) **Patent No.:** **US D519,918 S**

(45) **Date of Patent:** **\*\* May 2, 2006**

(54) **PORTABLE BATTERY**

(75) Inventors: **Christopher A. Wilson**, Fishers, IN (US); **Benjamin B. Rondot**, Noblesville, IN (US); **Jay C. Smith**, Grapevine, TX (US)

(73) Assignee: **Technuity, Inc.**, Indianapolis, IN (US)

(\*\*) Term: **14 Years**

(21) Appl. No.: **29/210,174**

(22) Filed: **Jul. 28, 2004**

(51) **LOC (8) Cl.** ..... **13-02**

(52) **U.S. Cl.** ..... **D13/103**

(58) **Field of Classification Search** ..... D13/102-106, D13/110, 118-119, 137.4, 184; 429/96-100, 429/121, 163, 176; D8/358

See application file for complete search history.

(56) **References Cited**

**U.S. PATENT DOCUMENTS**

4,347,292 A \* 8/1982 Bernard et al. .... 429/65  
D288,593 S \* 3/1987 Campbell ..... D13/102  
D353,130 S \* 12/1994 Aldrich et al. .... D13/102  
D392,945 S \* 3/1998 Barry et al. .... D13/168

D400,853 S \* 11/1998 Chen ..... D13/119  
D425,477 S \* 5/2000 Buckle ..... D13/103  
D426,515 S \* 6/2000 Buckle ..... D13/103  
D439,561 S \* 3/2001 Lee et al. .... D13/103  
D443,590 S \* 6/2001 Vende ..... D13/137.4  
D448,730 S \* 10/2001 Lee ..... D13/137.4  
D481,357 S \* 10/2003 Stekelenburg ..... D13/139.8  
D503,692 S \* 4/2005 Basta ..... D13/184  
D505,859 S \* 6/2005 Suzuki ..... D8/358

\* cited by examiner

*Primary Examiner*—Alan P. Douglas

*Assistant Examiner*—Rosemary K. Tarcza

(74) *Attorney, Agent, or Firm*—Sommer Barnard Attorneys, PC

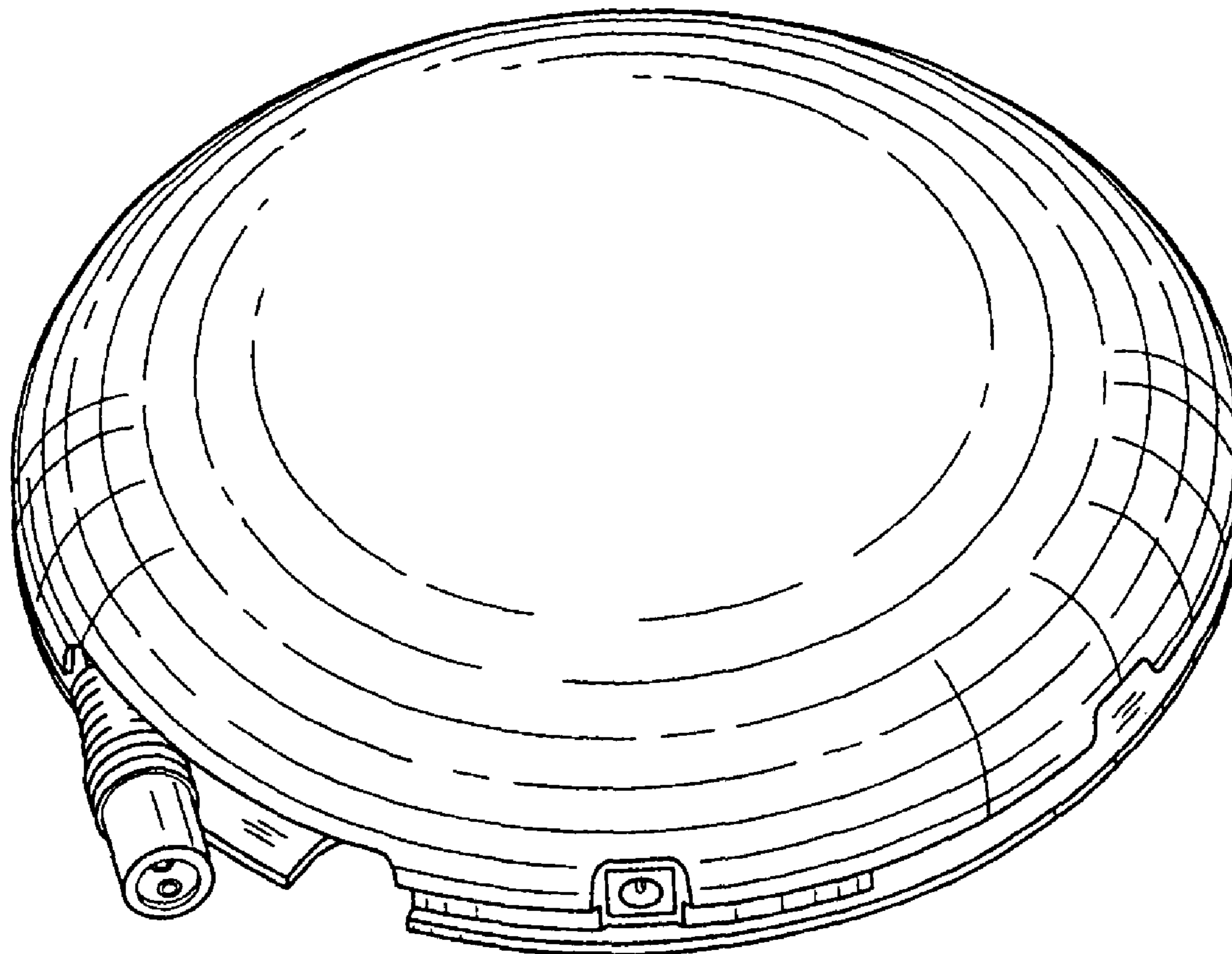
(57) **CLAIM**

We claim the ornamental design for a portable battery, as shown and described.

**DESCRIPTION**

FIG. 1 is front perspective view illustrating our new design; FIG. 2 is a top view thereof; FIG. 3 is a bottom view thereof; FIG. 4 is a right side view thereof; and, FIG. 5 is a left side view thereof.

**1 Claim, 4 Drawing Sheets**



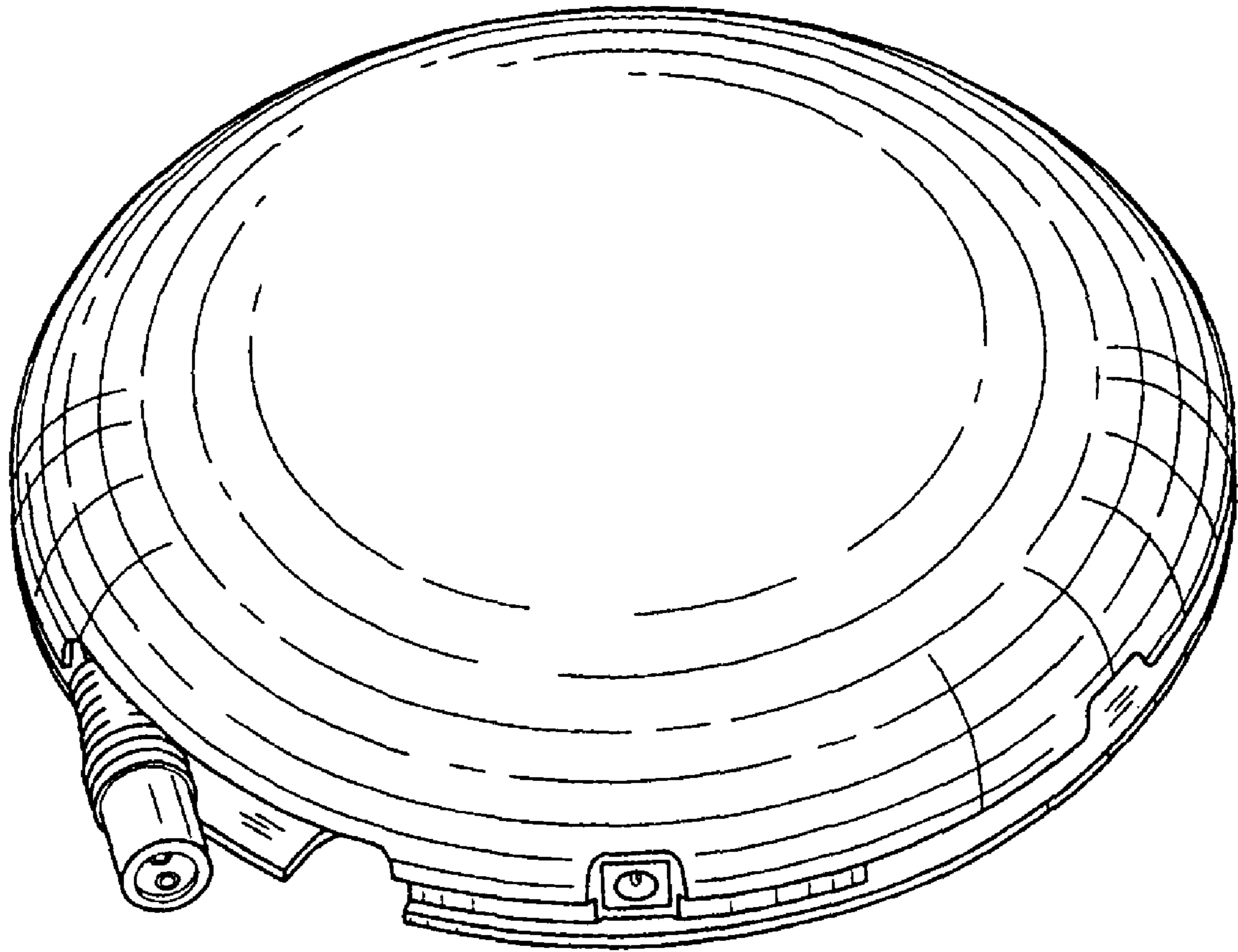


Fig. 1

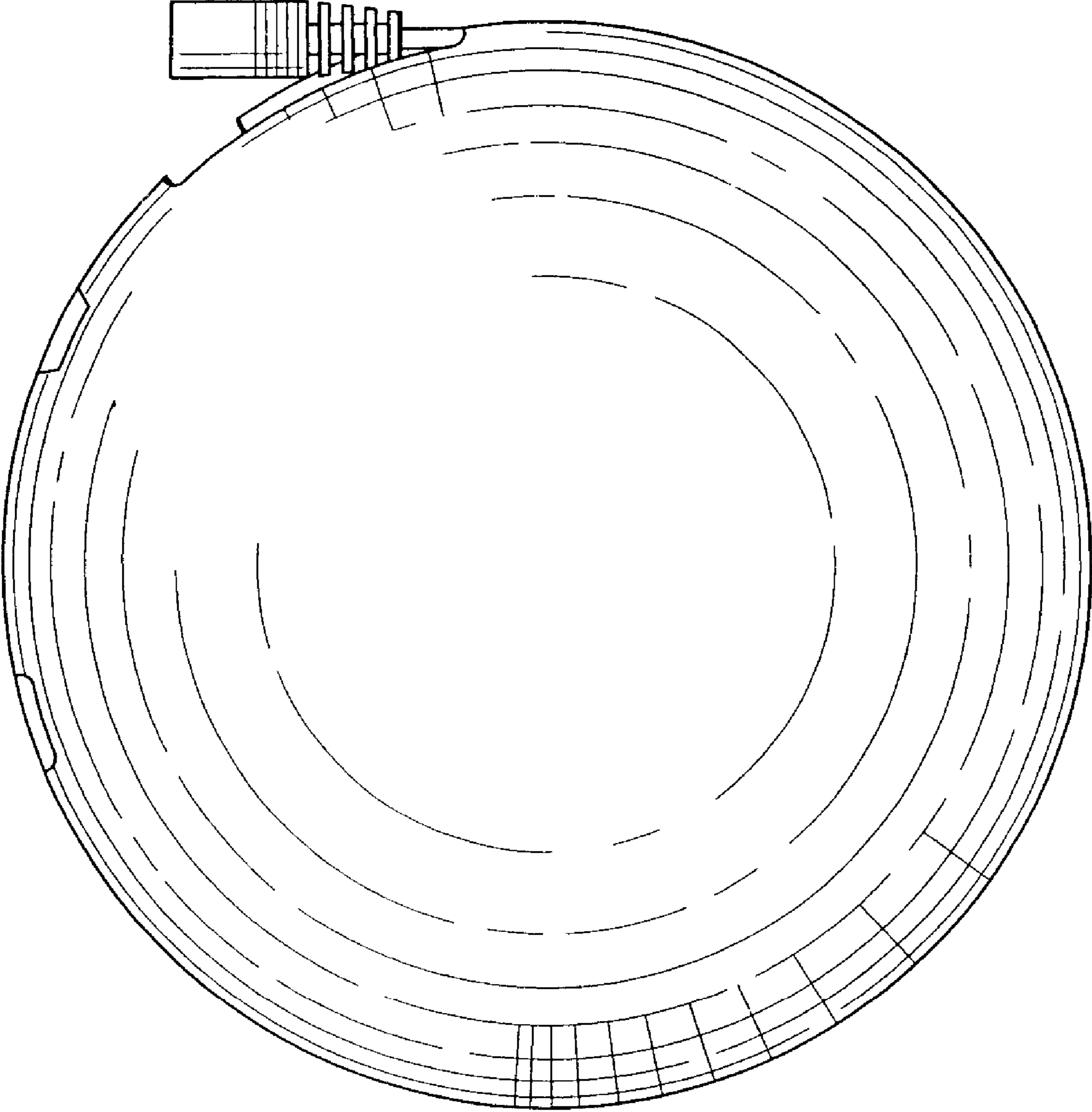


Fig. 2

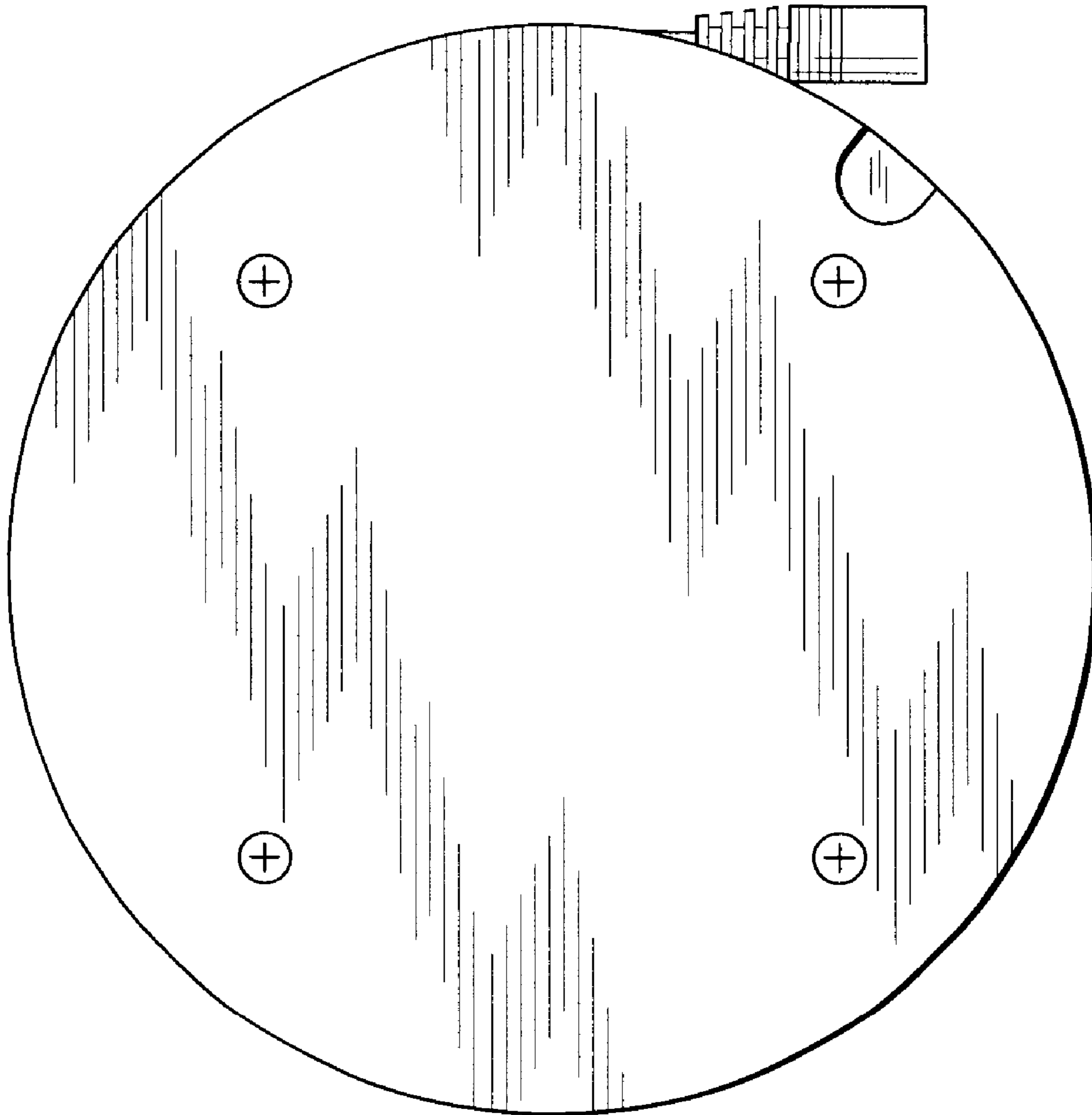


Fig. 3

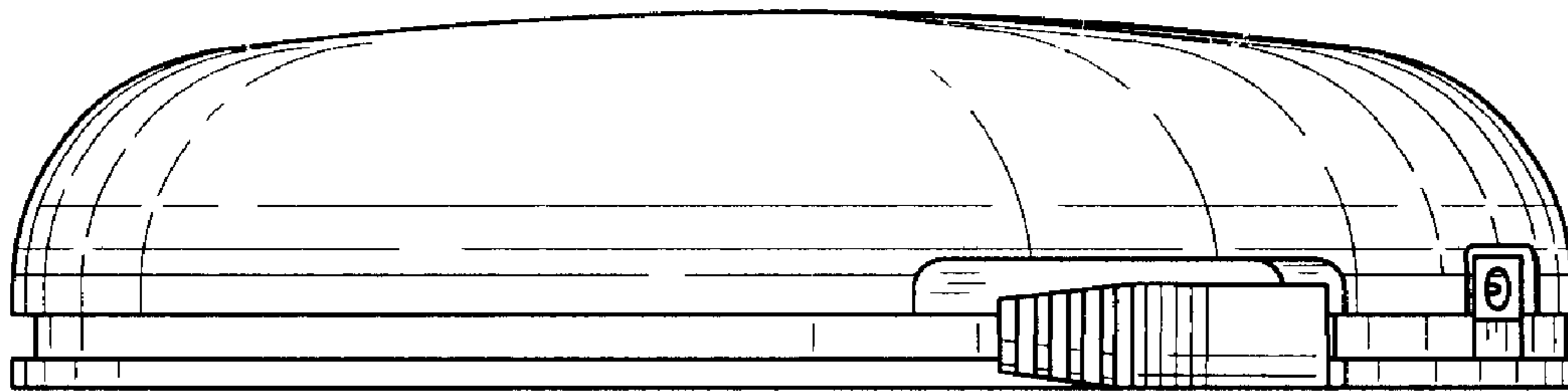


Fig. 4

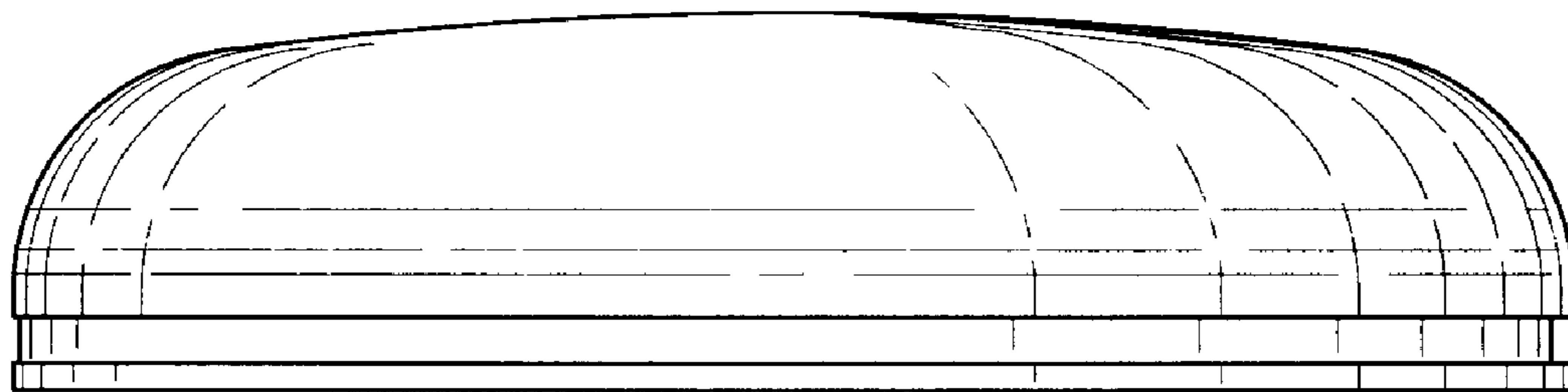


Fig. 5