



US00D519908S

(12) **United States Design Patent**
Ward

(10) **Patent No.:** **US D519,908 S**

(45) **Date of Patent:** **** May 2, 2006**

(54) **BOAT**

(76) **Inventor:** **Roger Ward**, 16806 Maple Glade, San Antonio, TX (US) 78247

(**) **Term:** **14 Years**

(21) **Appl. No.:** **29/220,563**

(22) **Filed:** **Jan. 4, 2005**

(51) **LOC (8) Cl.** **12-06**

(52) **U.S. Cl.** **D12/302**

(58) **Field of Classification Search** D12/300,
D12/302-304, 306, 316-317; 114/343, 347,
114/350, 351, 355-358

See application file for complete search history.

(56) **References Cited**

U.S. PATENT DOCUMENTS

D88,862 S	*	1/1933	Dyer	D12/300
D187,167 S		2/1960	Raschke		
D229,238 S		11/1973	Milne		
D238,566 S	*	1/1976	Palmer	D12/300
D246,166 S	*	10/1977	Meek	D12/312
4,660,490 A		4/1987	Broadhurst		
4,691,658 A		9/1987	New et al.		
D308,662 S	*	6/1990	Darby	D12/302

D316,845 S	*	5/1991	Slanker et al.	D12/302
D362,835 S	*	10/1995	Dinsdale et al.	D12/304
5,779,250 A		7/1998	Becht		
6,032,964 A		3/2000	Capobianco		
D460,390 S	*	7/2002	Sinkwitz	D12/163
2002/0014195 A1		2/2002	Burlet		

* cited by examiner

Primary Examiner—Holly Baynham

Assistant Examiner—Cynthia M. Chin

(74) *Attorney, Agent, or Firm*—Stephen R. Greiner

(57) **CLAIM**

The ornamental design for a boat, as shown and described.

DESCRIPTION

FIG. 1 is a top perspective view of a boat showing my new design;

FIG. 2 is a bottom perspective view thereof;

FIG. 3 is a left side view with the right side being a mirror image thereof front;

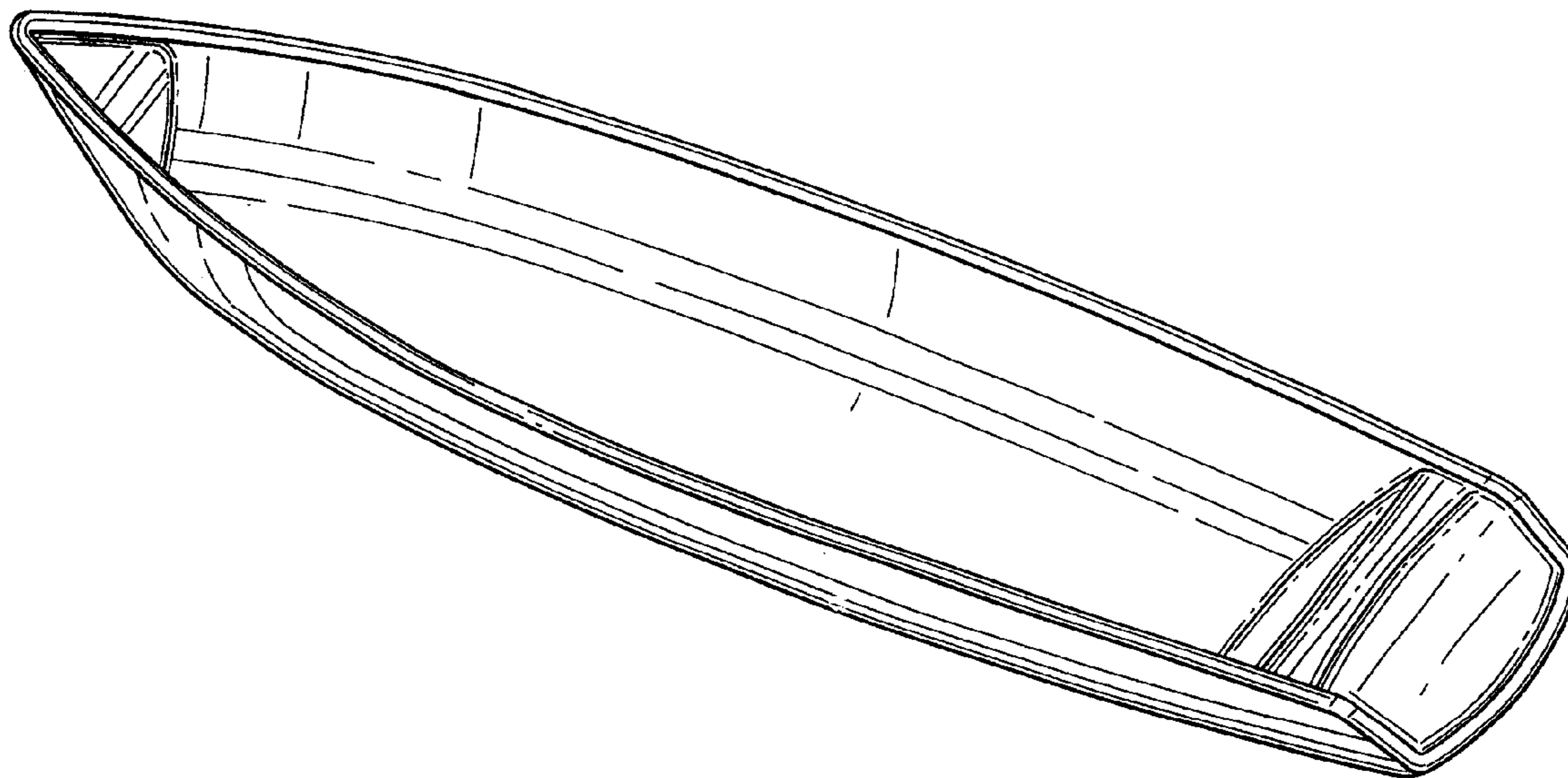
FIG. 4 is a top view thereof;

FIG. 5 is a bottom view thereof;

FIG. 6 is a front view thereof; and,

FIG. 7 is a rear view thereof.

1 Claim, 2 Drawing Sheets



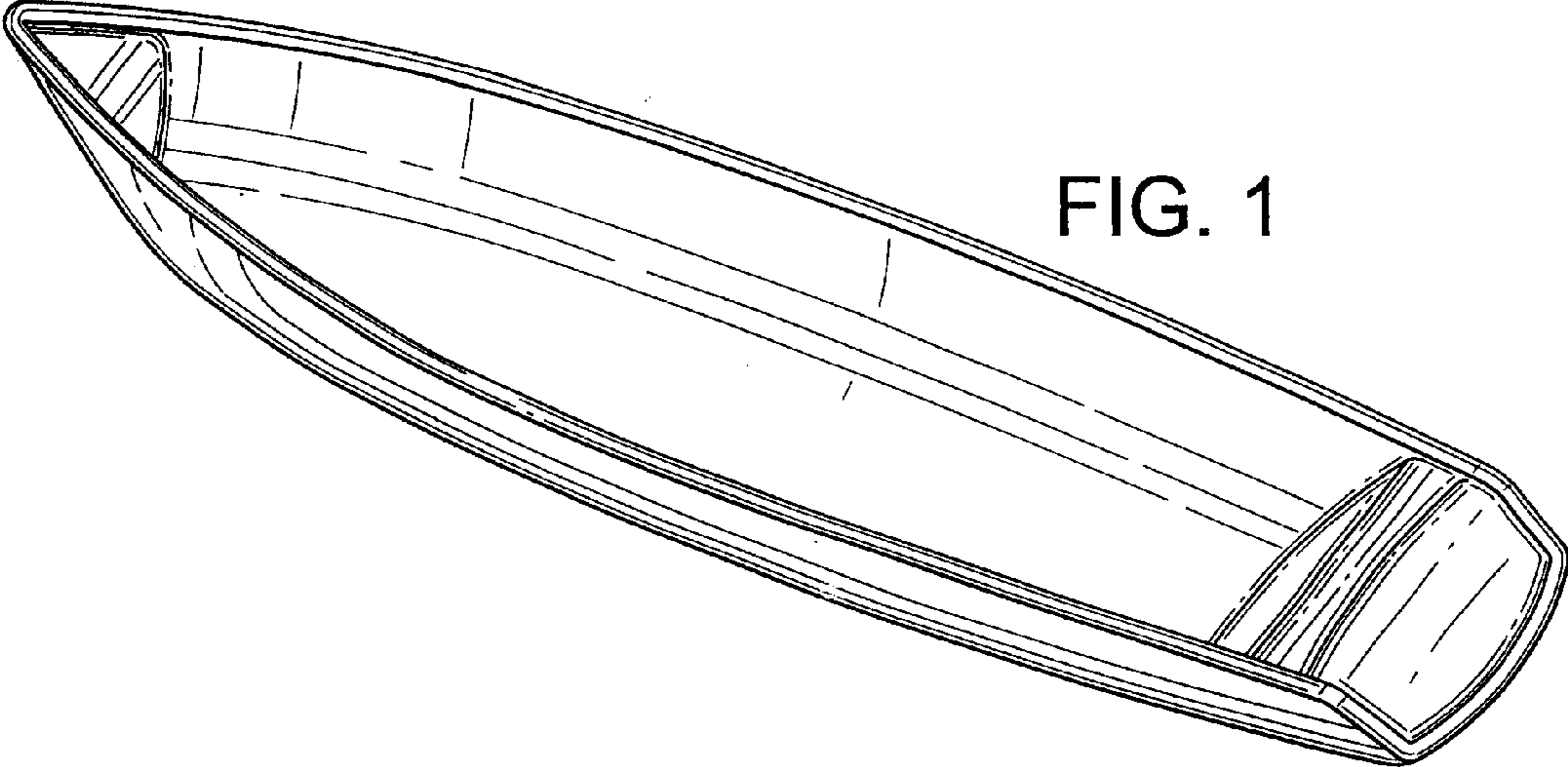


FIG. 1

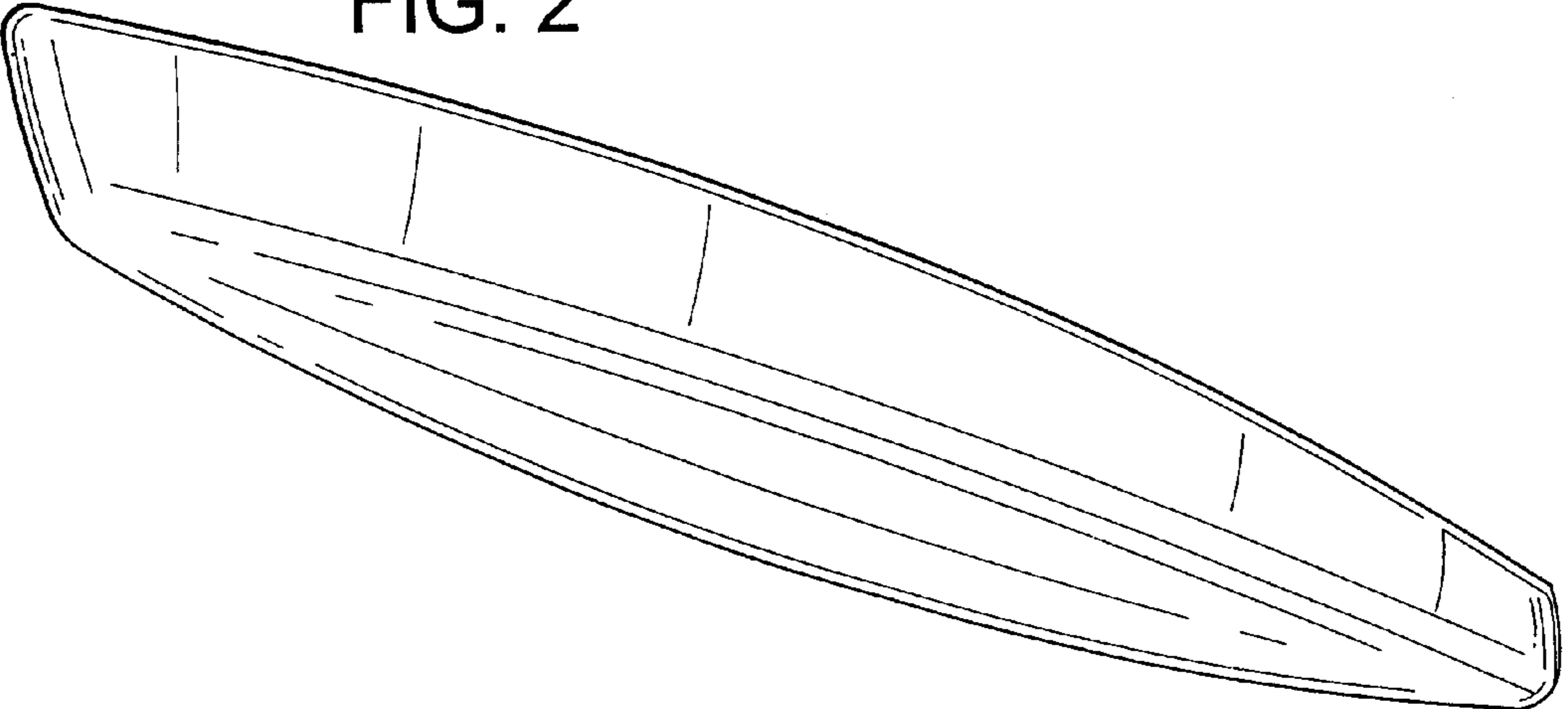


FIG. 2



FIG. 3

FIG. 4

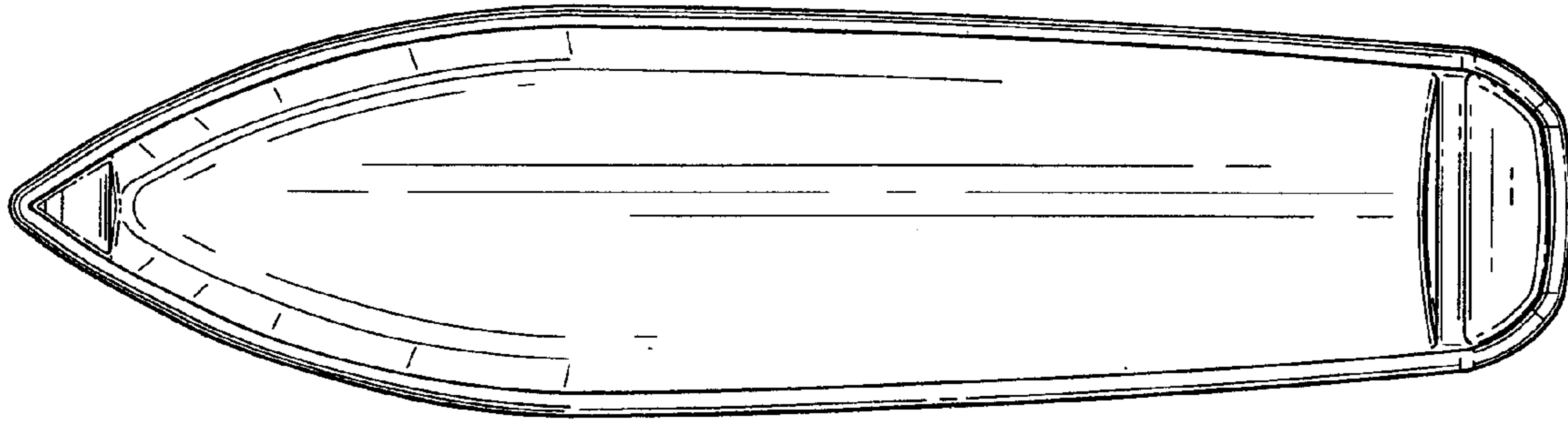


FIG. 5

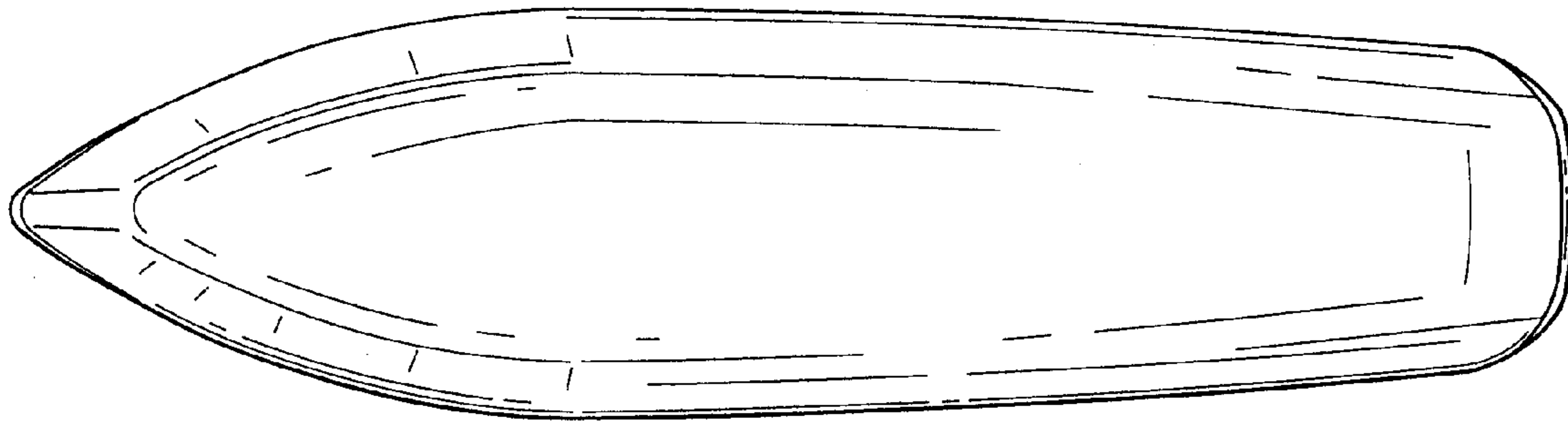


FIG. 6



FIG. 7

