



US00D519906S

(12) **United States Design Patent**  
**Long**

(10) **Patent No.:** **US D519,906 S**

(45) **Date of Patent:** **\*\* May 2, 2006**

(54) **WHEEL**

D509,175 S \* 9/2005 Marji ..... D12/209

(75) Inventor: **Jeff Long**, Keller, TX (US)

\* cited by examiner

(73) Assignee: **American IronHorse Motorcycle Company, Inc.**, Fort Worth, TX (US)

*Primary Examiner*—Stacia Cadmus

(74) *Attorney, Agent, or Firm*—Venable LLP; Stuart I. Smith

(\*\*) Term: **14 Years**

(57) **CLAIM**

(21) Appl. No.: **29/239,075**

The ornamental design for a wheel, as shown and described.

(22) Filed: **Sep. 27, 2005**

**DESCRIPTION**

(51) **LOC (8) Cl.** ..... **12-16**

FIG. 1 is a front view of a first embodiment of a wheel in accordance with the invention, the back view is a mirror image of the front view;

(52) **U.S. Cl.** ..... **D12/209**

FIG. 2 is a top view of the wheel shown in FIG. 1, the bottom, left side and right side views are identical to the top view;

(58) **Field of Classification Search** ..... D12/204–213;  
301/37.101, 64.101, 65  
See application file for complete search history.

FIG. 3 is a perspective view of the wheel shown in FIGS. 1 and 2;

(56) **References Cited**

**U.S. PATENT DOCUMENTS**

D458,205 S	*	6/2002	McCowin	.....	D12/209
D466,849 S	*	12/2002	Lee	.....	D12/209
D475,672 S	*	6/2003	Chung	.....	D12/209
D480,034 S	*	9/2003	Donikoglu	.....	D12/209
D495,651 S	*	9/2004	Chung	.....	D12/209
D497,134 S	*	10/2004	Anderson et al.	.....	D12/209
D498,449 S	*	11/2004	Smith et al.	.....	D12/209
D500,276 S	*	12/2004	Cheng	.....	D12/209
D500,277 S	*	12/2004	Kataoka	.....	D12/209

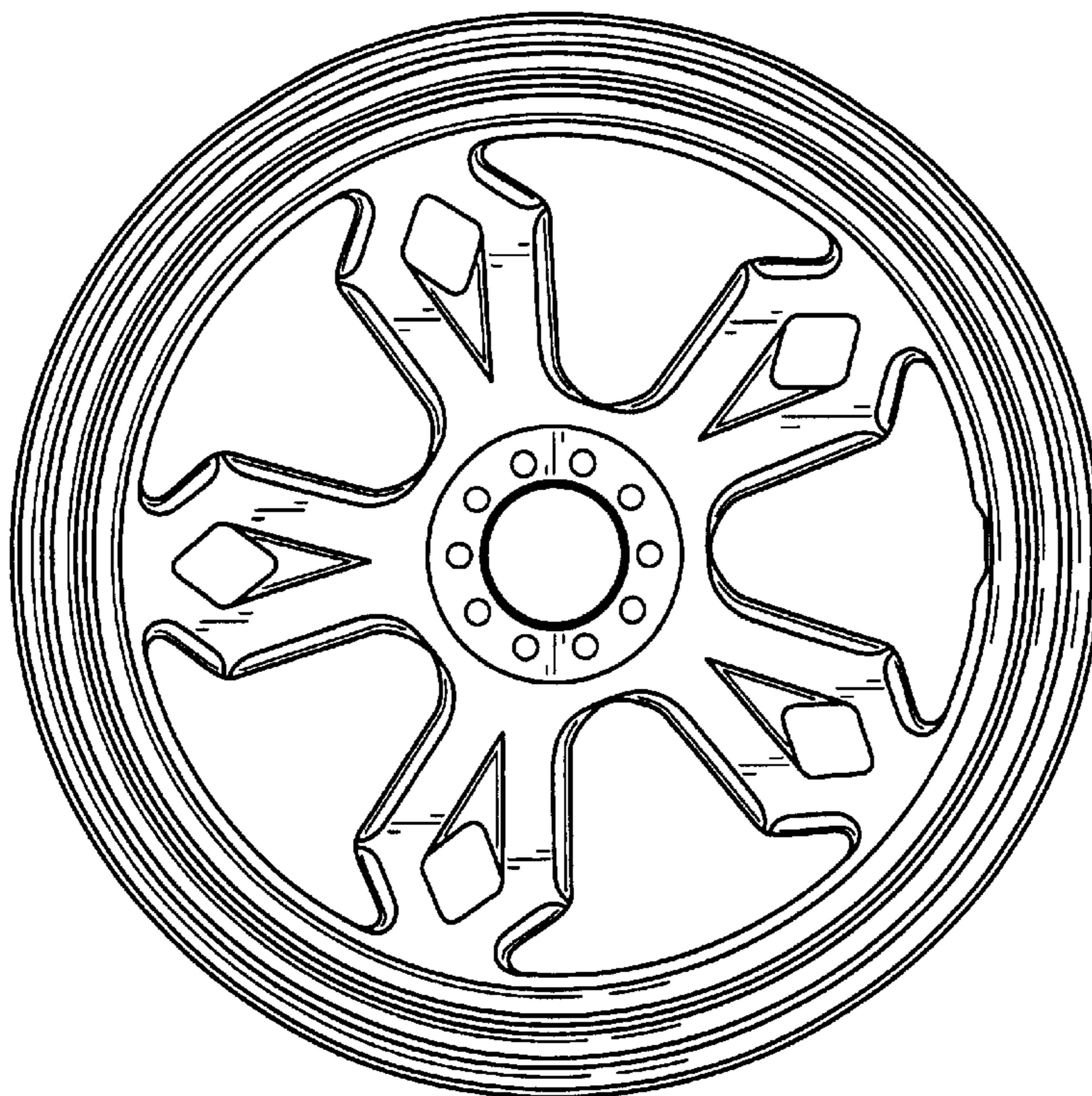
FIG. 4 is a front view of a second embodiment of a wheel in accordance with the invention, the back view is a mirror image of the front view;

FIG. 5 is a top view of the wheel shown in FIG. 4, the bottom view, left side view and right side view are identical to the top view; and,

FIG. 6 is a perspective view of the wheel shown in FIGS. 4 and 5.

Features shown in dashed lines are environment only and are not part of the invention.

**1 Claim, 4 Drawing Sheets**



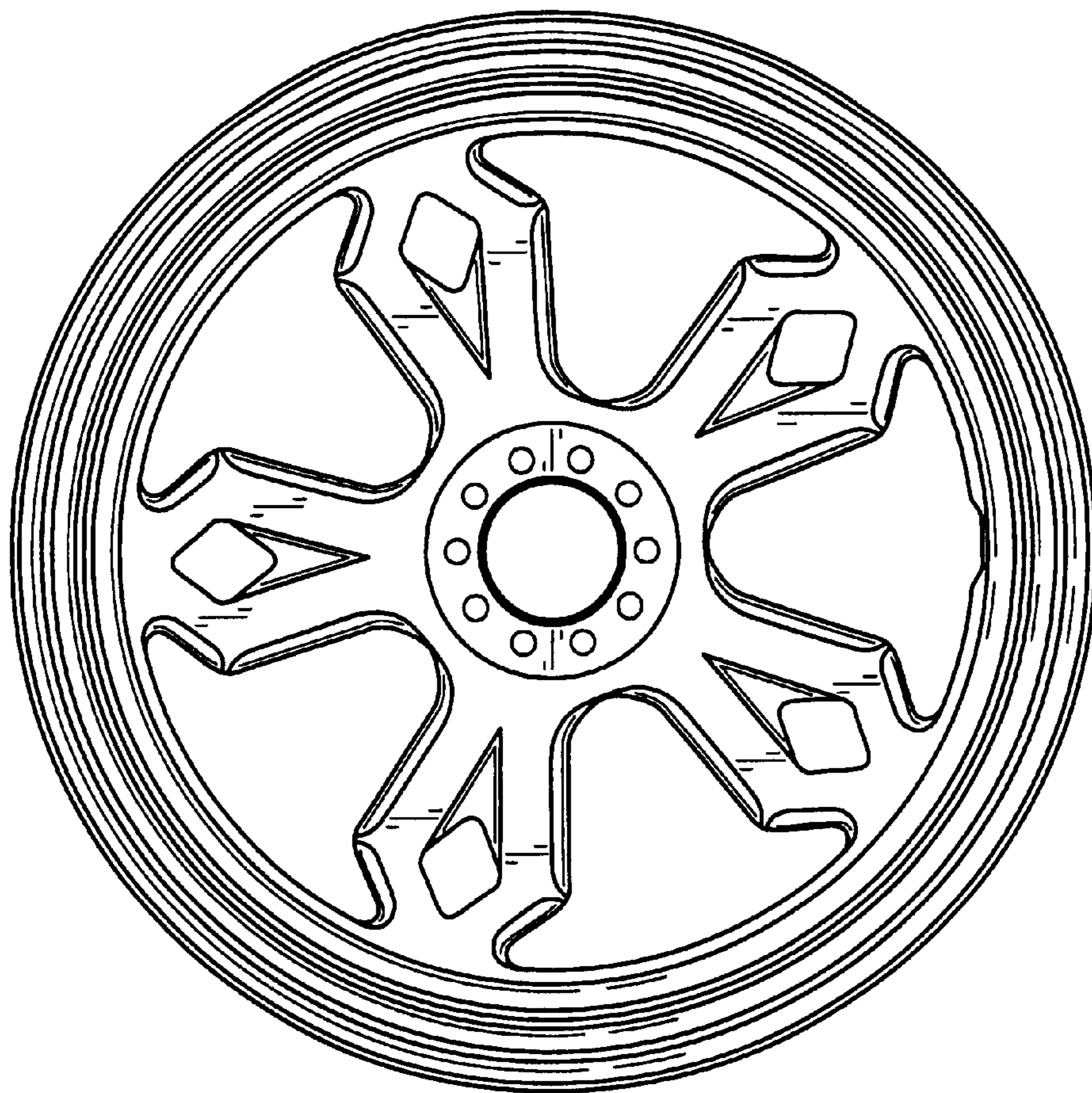


FIG. 1

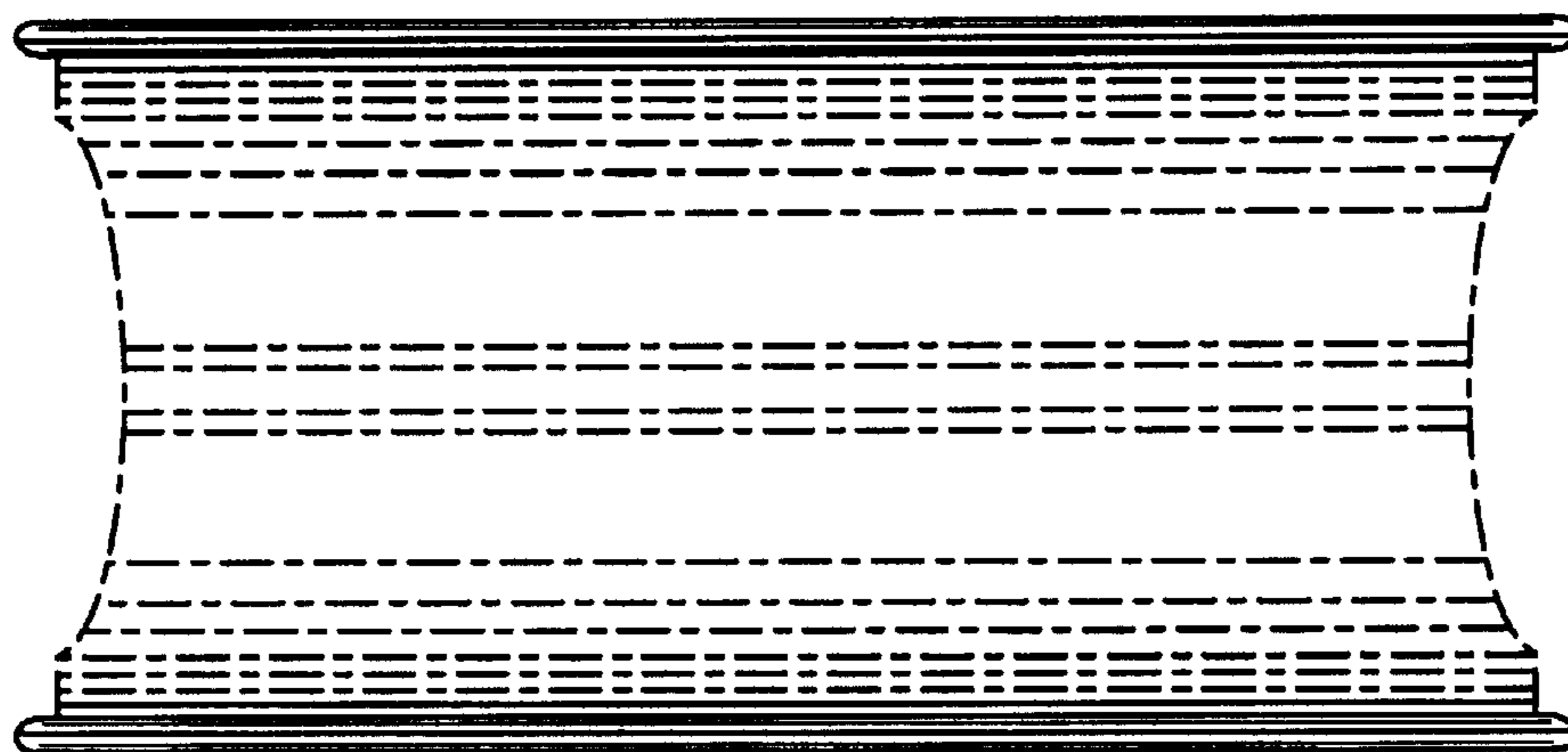


FIG. 2

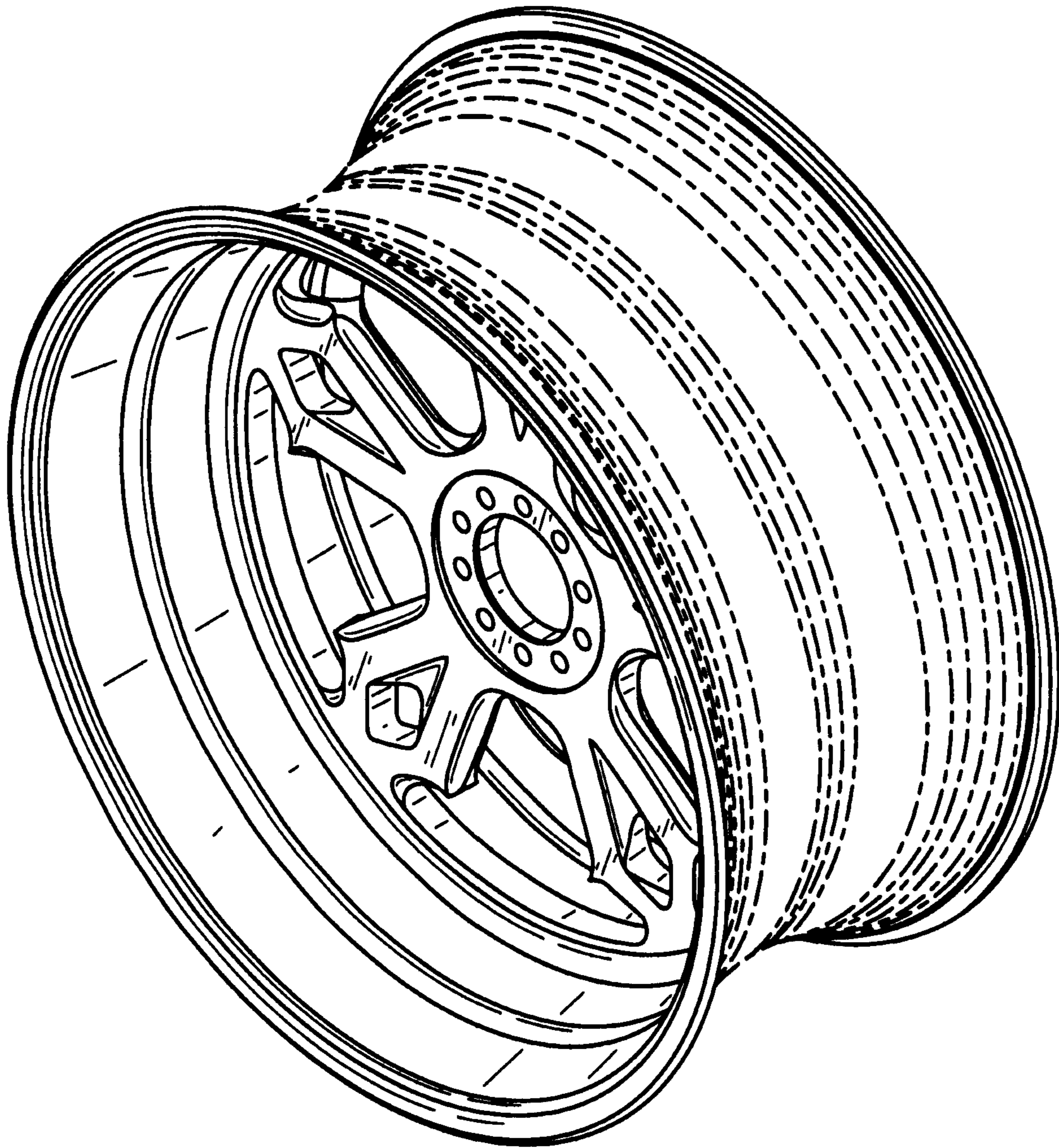


FIG. 3

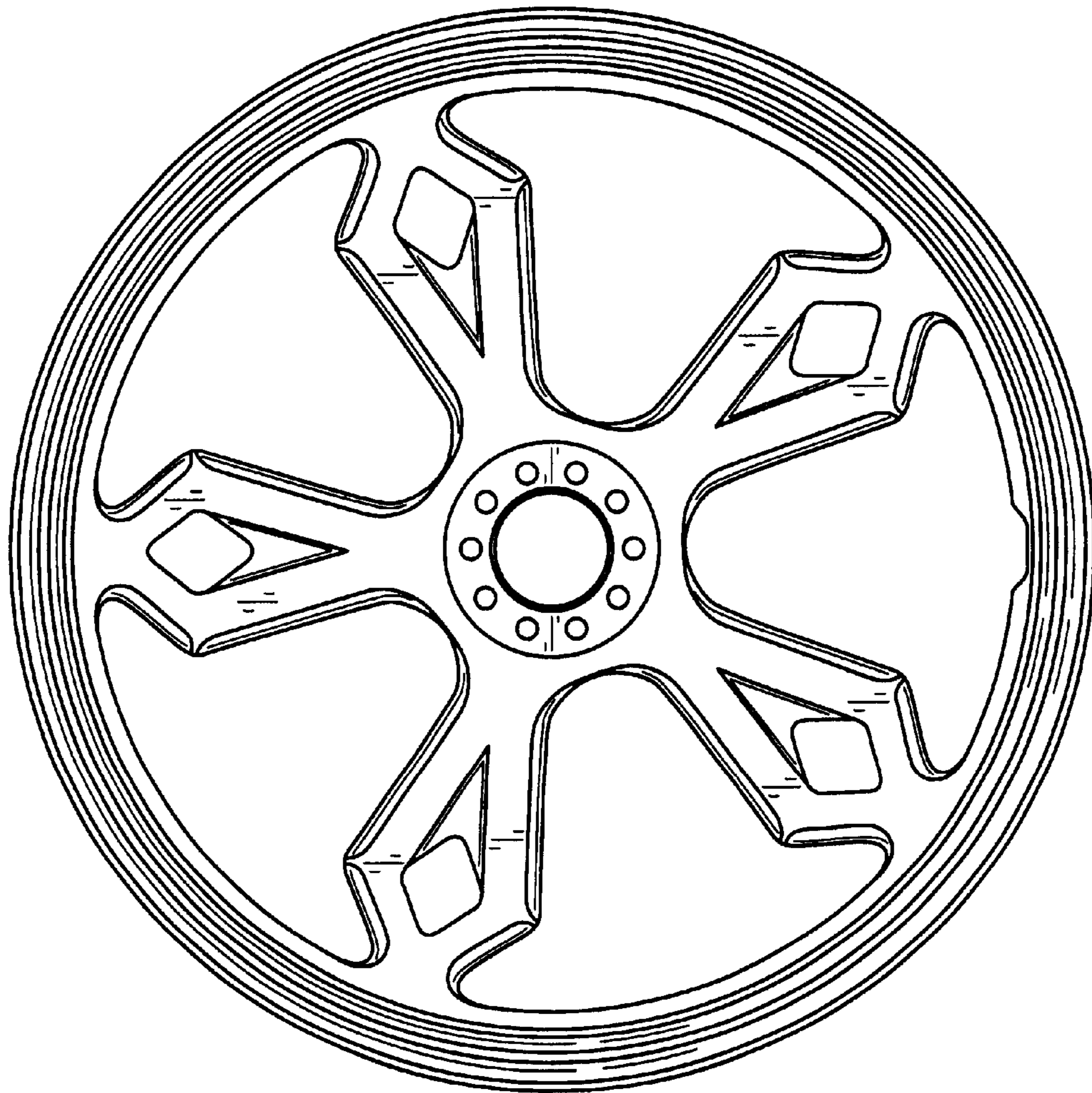


FIG. 4

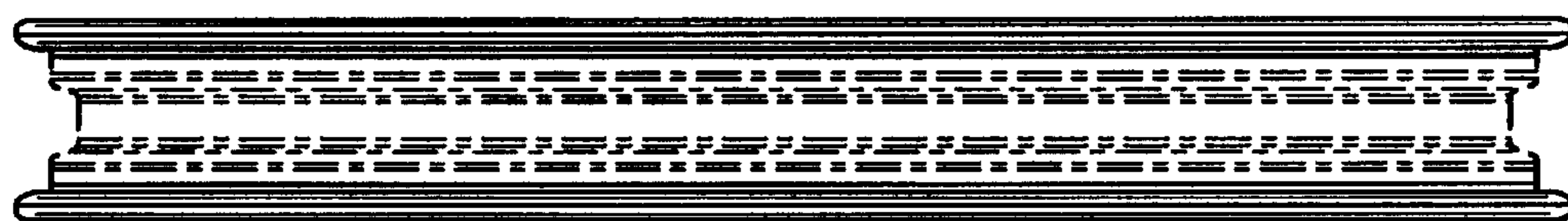


FIG. 5

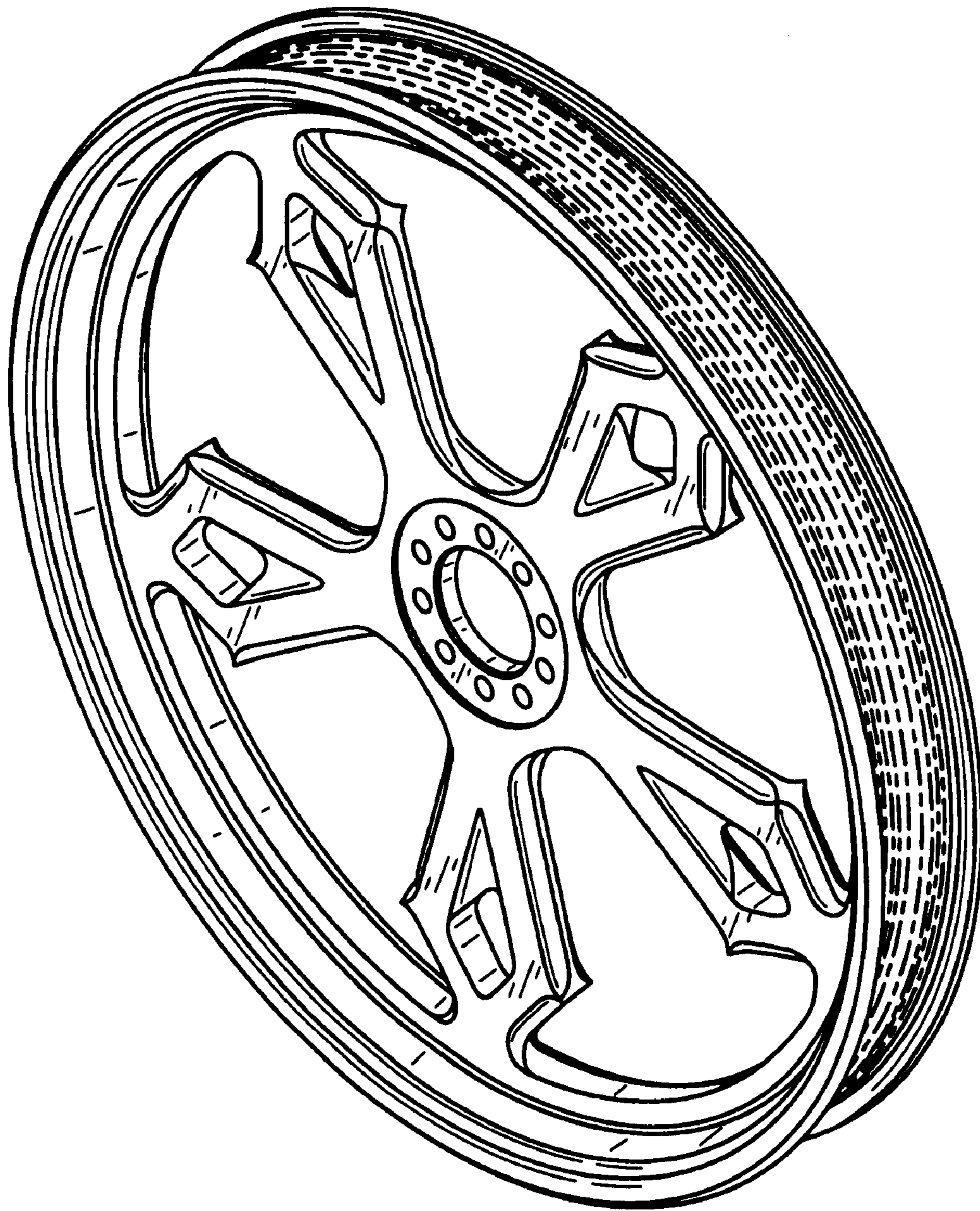


FIG. 6