



US00D519903S

(12) **United States Design Patent**  
**Ditty**

(10) **Patent No.:** **US D519,903 S**

(45) **Date of Patent:** **\*\* \*May 2, 2006**

(54) **OUTER FACE OF A VEHICLE WHEEL**

(75) Inventor: **Christopher J. Ditty**, Clinton Township, MI (US)

(73) Assignee: **Motorsport Marketing**, Rocklin, CA (US)

(\*) Notice: This patent is subject to a terminal disclaimer.

(\*\*) Term: **14 Years**

(21) Appl. No.: **29/225,005**

(22) Filed: **Mar. 8, 2005**

(51) **LOC (8) Cl.** ..... **12-16**

(52) **U.S. Cl.** ..... **D12/209**

(58) **Field of Classification Search** ..... D12/204–213;  
301/37.101, 64.101, 65

See application file for complete search history.

(56) **References Cited**

**U.S. PATENT DOCUMENTS**

D370,883 S	*	6/1996	Bhambra	.....	D12/209
D422,257 S	*	4/2000	Pruden	.....	D12/209
D438,834 S	*	3/2001	Ong	.....	D12/211
D457,848 S	*	5/2002	Lee	.....	D12/209
D460,729 S	*	7/2002	Khan	.....	D12/209
D469,049 S	*	1/2003	Kataoka	.....	D12/209

D473,505 S	*	4/2003	Min	.....	D12/209
D480,344 S	*	10/2003	Muzzarelli	.....	D12/209
D484,838 S	*	1/2004	Tai	.....	D12/209
D487,568 S	*	3/2004	Min	.....	D12/209
D487,882 S	*	3/2004	Cahyono	.....	D12/209
D488,762 S	*	4/2004	Cahyono	.....	D12/209
D492,234 S	*	6/2004	Kataoka	.....	D12/209
D494,124 S	*	8/2004	Aiello et al.	.....	D12/211
D500,470 S	*	1/2005	Rice	.....	D12/211
D503,917 S	*	4/2005	Kushartanto	.....	D12/209
D505,903 S	*	6/2005	Nordmann	.....	D12/209

\* cited by examiner

*Primary Examiner*—Stacia Cadmus

(74) *Attorney, Agent, or Firm*—Katten Muchin Roseman LLP

(57) **CLAIM**

I claim the ornamental design for an outer face of a vehicle wheel, as shown and described.

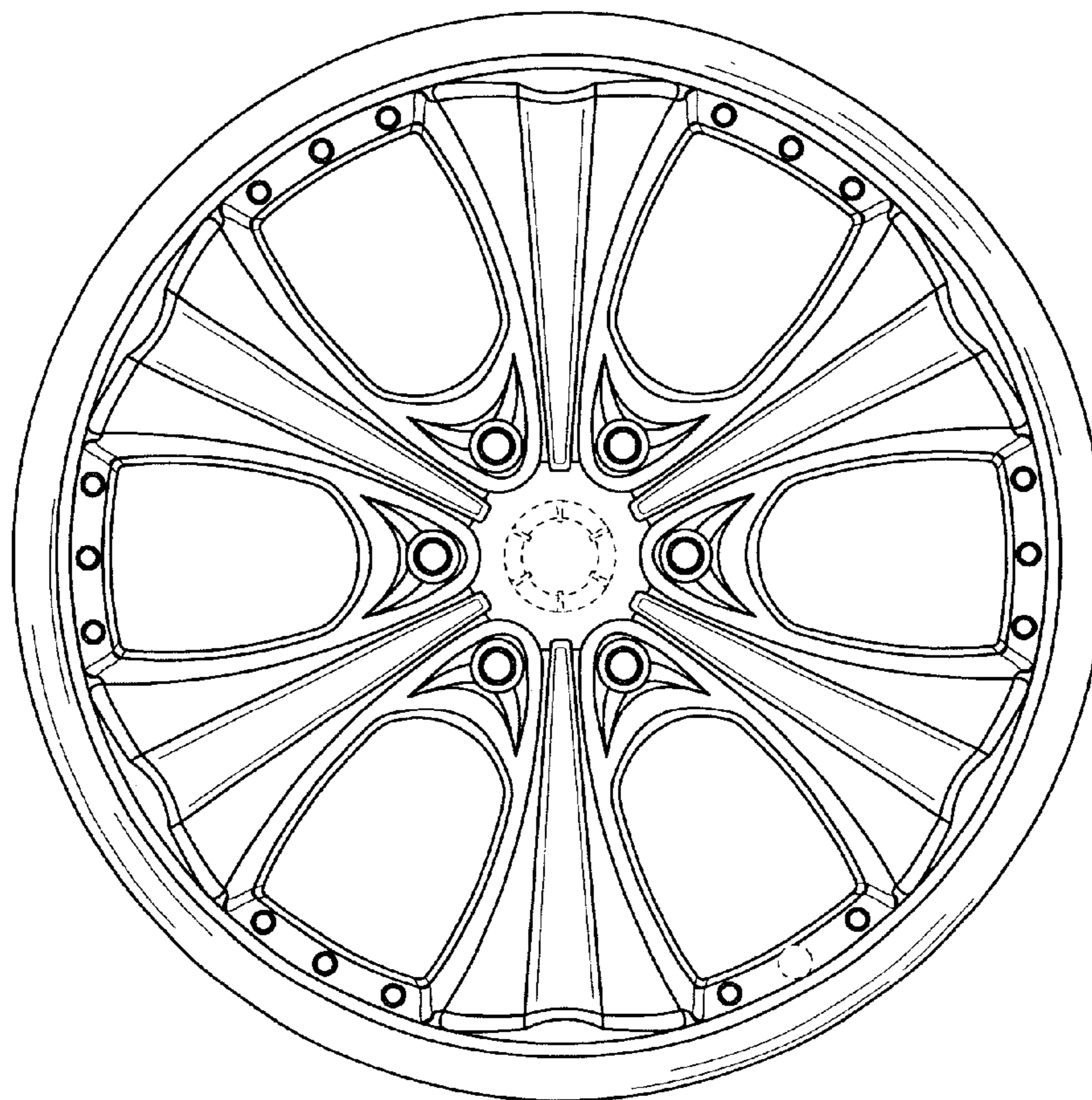
**DESCRIPTION**

FIG. 1 is a front view of an outer face of a vehicle wheel; and,

FIG. 2 is a reduced perspective view of the outer face of the vehicle wheel shown in FIG. 1.

Where included, broken lines showing environment or structure are for illustrative purposes only and form no part of the claimed design.

**1 Claim, 2 Drawing Sheets**



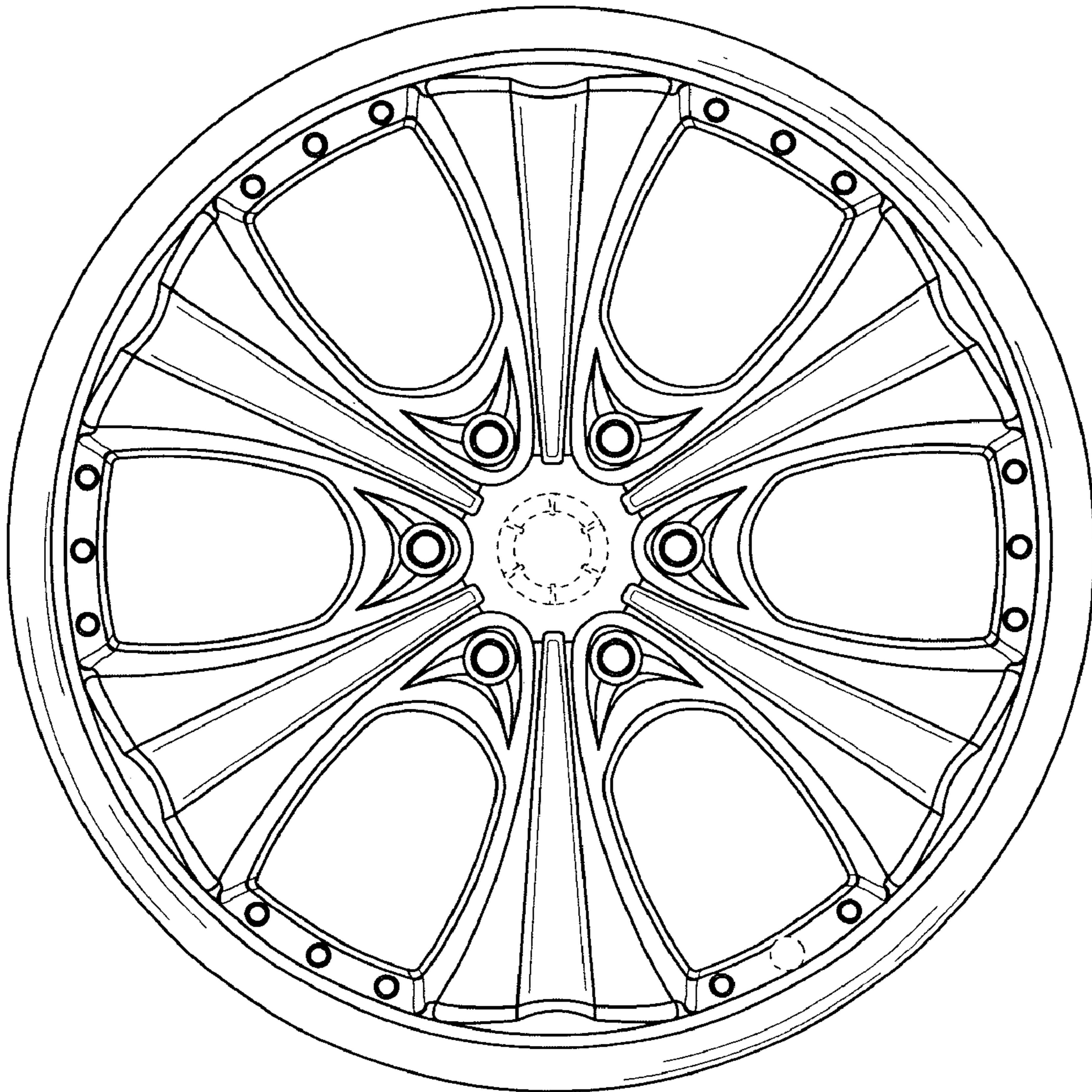


FIG. 1

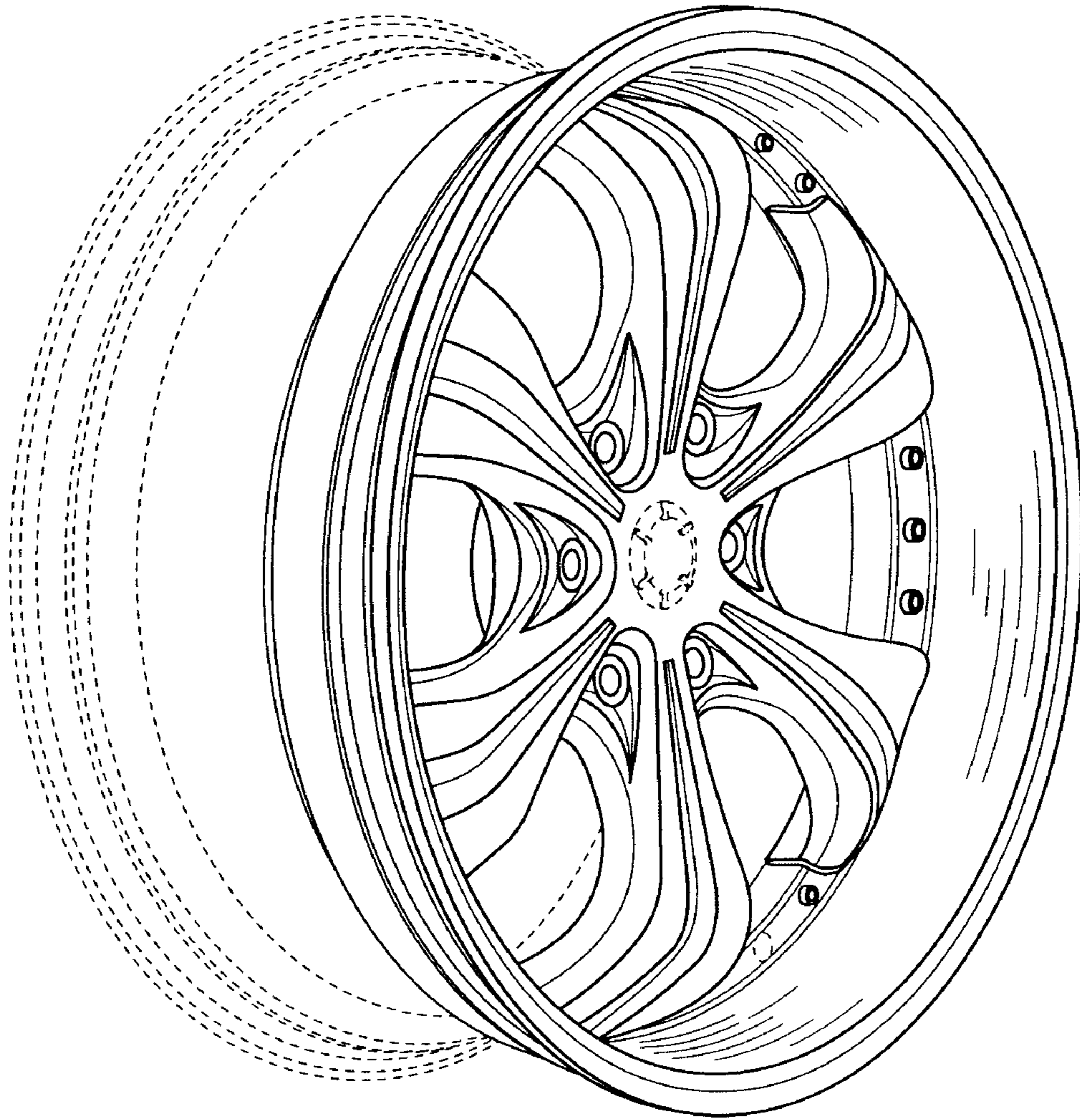


FIG. 2