



US00D519902S

(12) **United States Design Patent**  
**Pfeiffer**

(10) **Patent No.:** **US D519,902 S**

(45) **Date of Patent:** **\*\* May 2, 2006**

(54) **FRONT FACE OF A VEHICLE WHEEL**

D504,649 S \* 5/2005 Pfeiffer ..... D12/209  
D505,373 S \* 5/2005 Pfeiffer ..... D12/209

(75) Inventor: **Peter Pfeiffer**, Boeblingen (DE)

\* cited by examiner

(73) Assignee: **DaimlerChrysler AG**, Stuttgart (DE)

*Primary Examiner*—Stacia Cadmus

(\*\*) Term: **14 Years**

(74) *Attorney, Agent, or Firm*—Crowell & Moring LLP

(21) Appl. No.: **29/223,696**

(57) **CLAIM**

(22) Filed: **Feb. 18, 2005**

The ornamental design for a front face of a vehicle wheel, as shown and described.

(30) **Foreign Application Priority Data**

**DESCRIPTION**

Aug. 20, 2004 (DE) ..... 40404758

FIG. 1 is a front view of a first embodiment of a front face of a vehicle wheel according to my novel design;

(51) **LOC (8) Cl.** ..... **12-16**

FIG. 2 is a perspective view of the first embodiment of the front face of a vehicle wheel according to my novel design;

(52) **U.S. Cl.** ..... **D12/209**

(58) **Field of Classification Search** ..... D12/204–213;  
301/37.101, 64.101, 65

FIG. 3 is a front view of a second embodiment of the front face of a vehicle wheel according to my novel design; and, FIG. 4 is a perspective view of the second embodiment of the front face of a vehicle wheel according to my novel design.

See application file for complete search history.

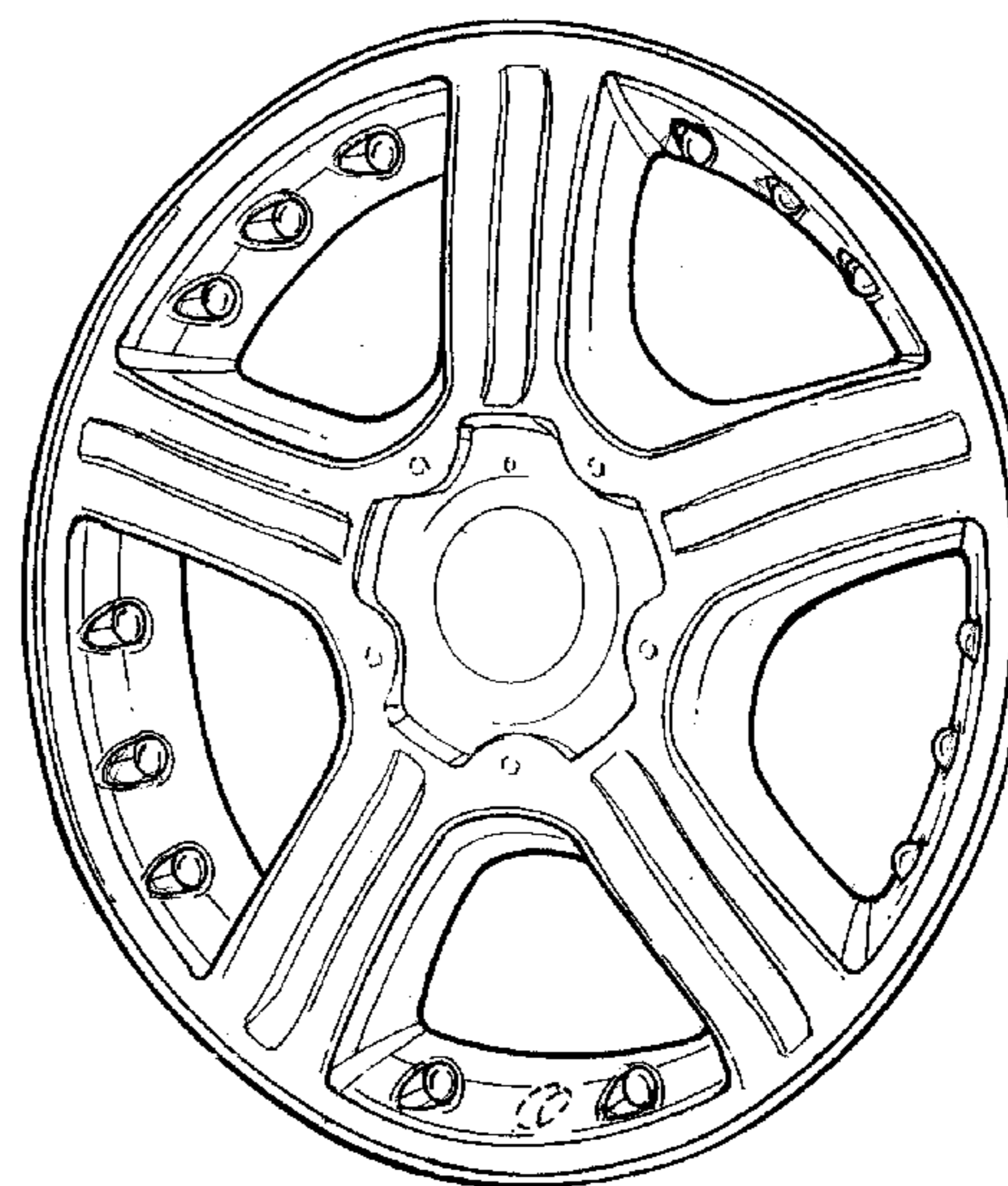
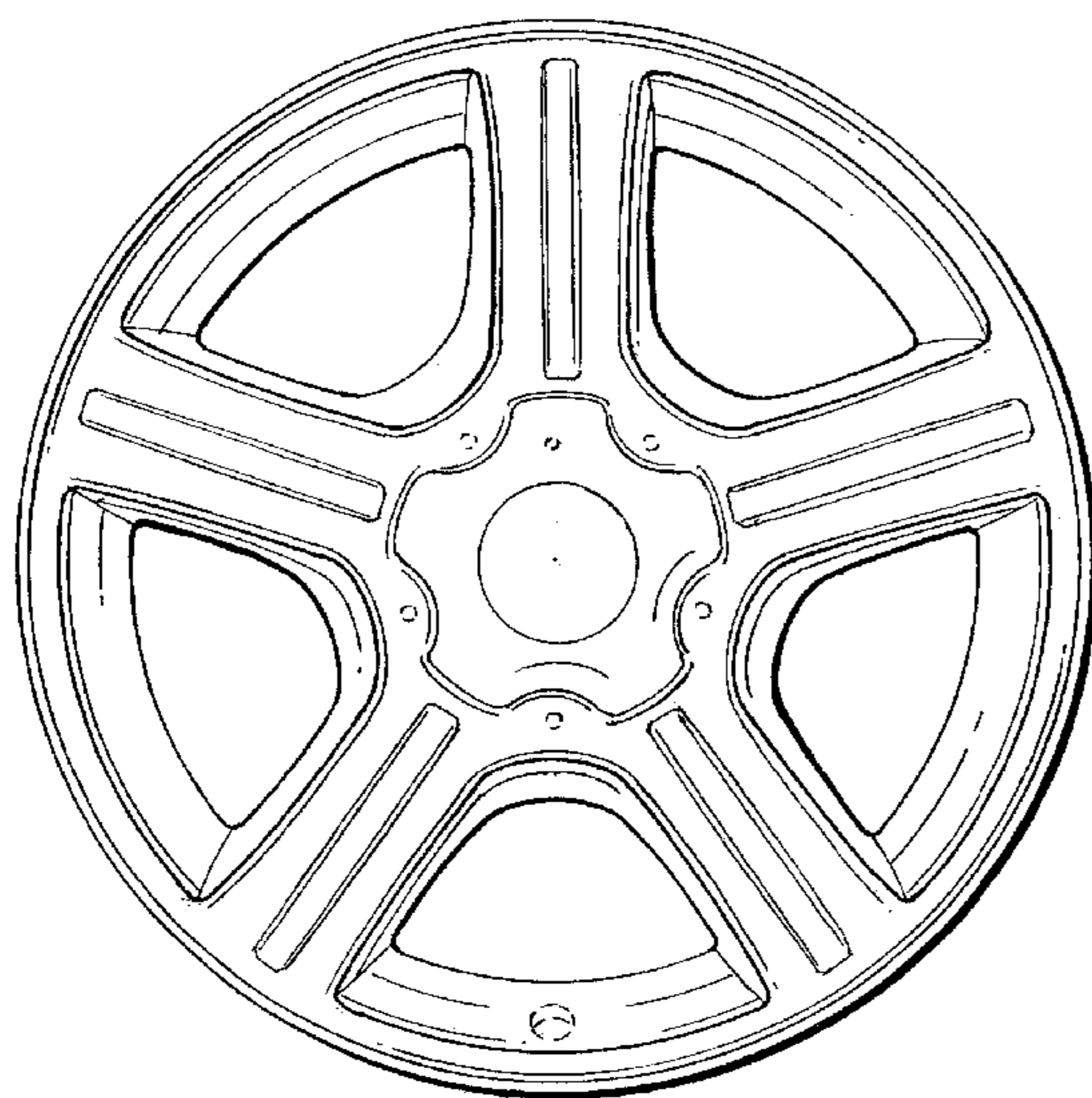
The broken lines are for illustrative purposes only and form no part of the claimed design.

(56) **References Cited**

**U.S. PATENT DOCUMENTS**

D470,093 S \* 2/2003 Frizzi ..... D12/209  
D483,313 S \* 12/2003 Lenz ..... D12/209

**1 Claim, 2 Drawing Sheets**



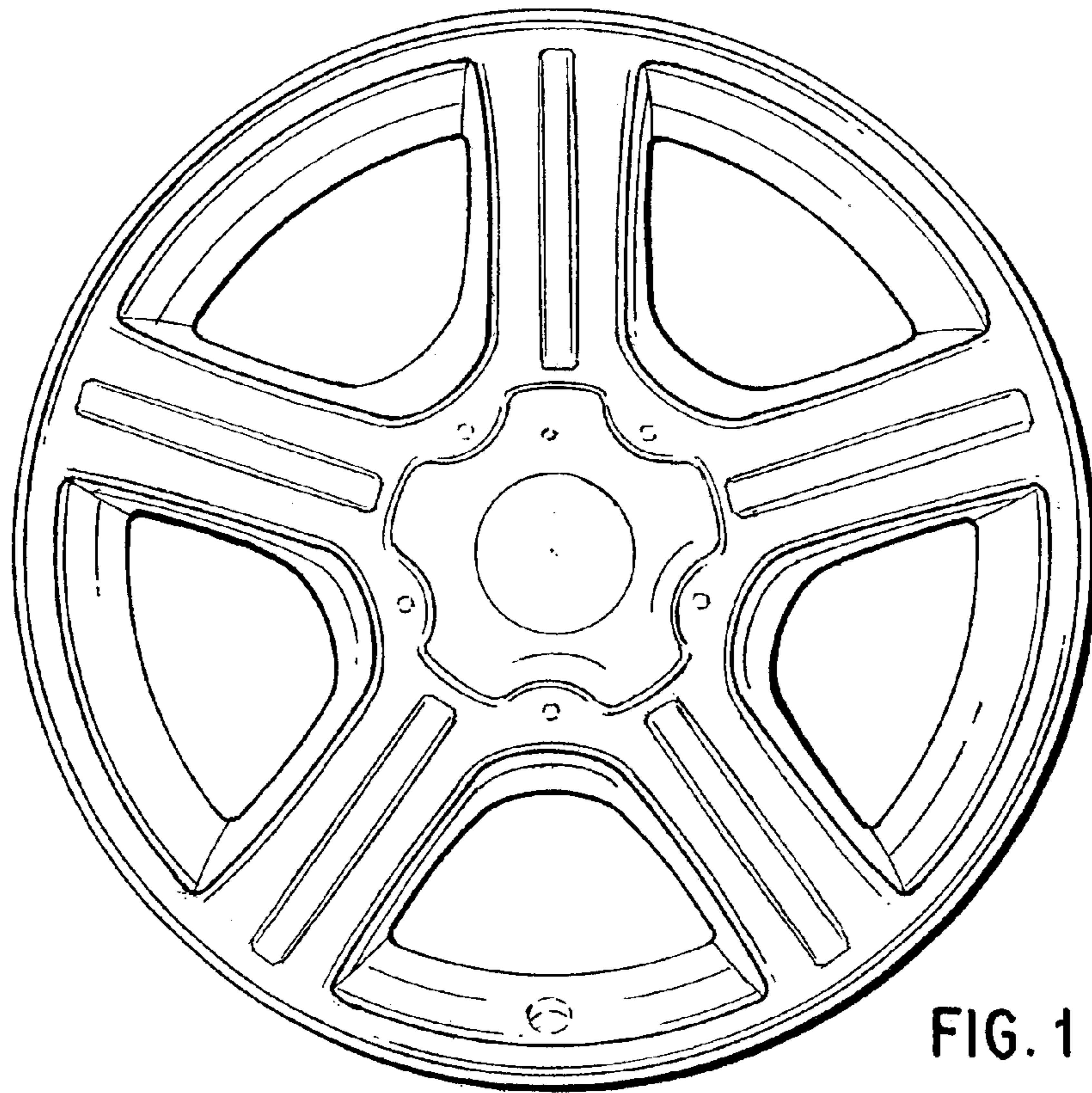


FIG. 1

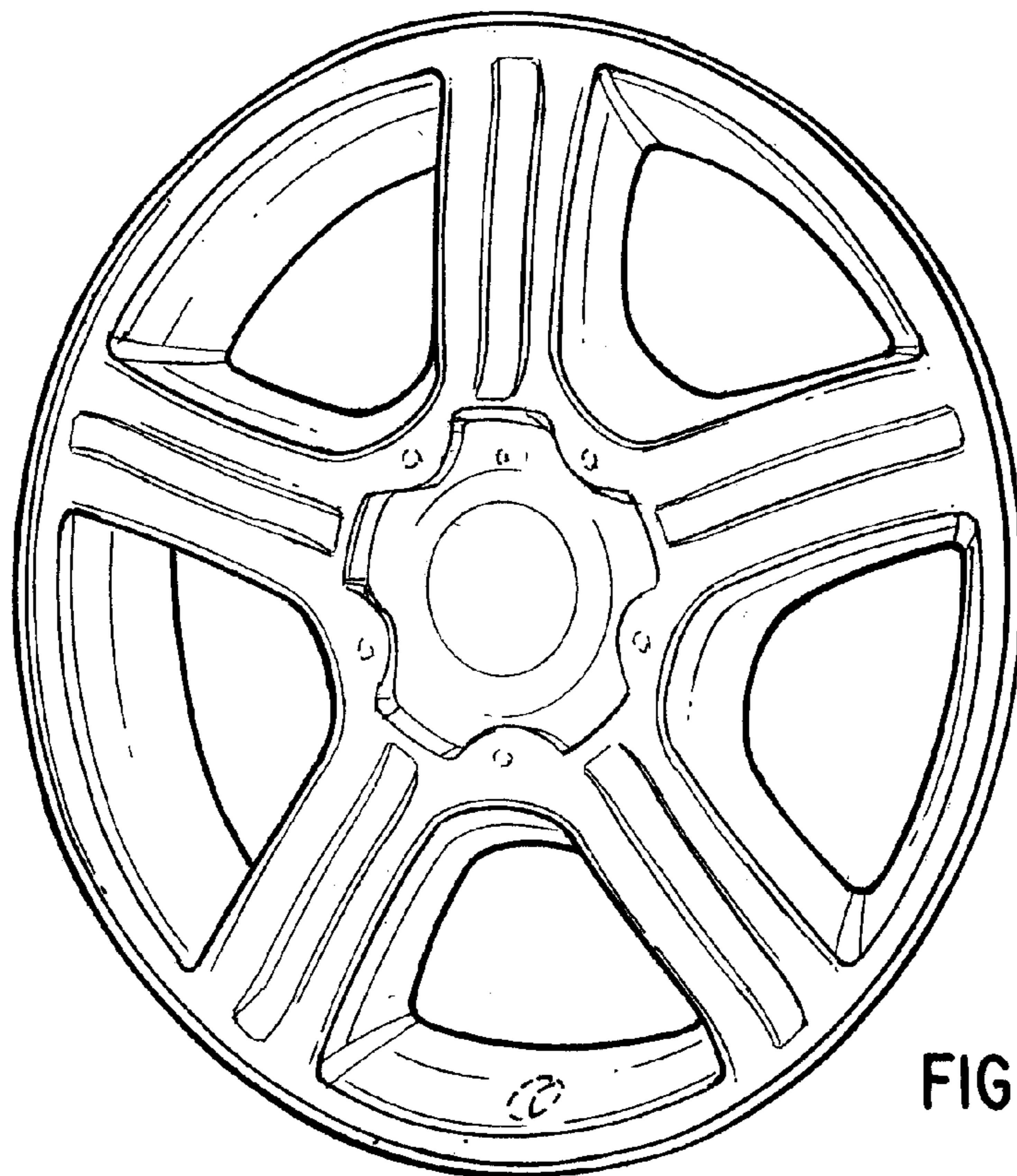


FIG. 2

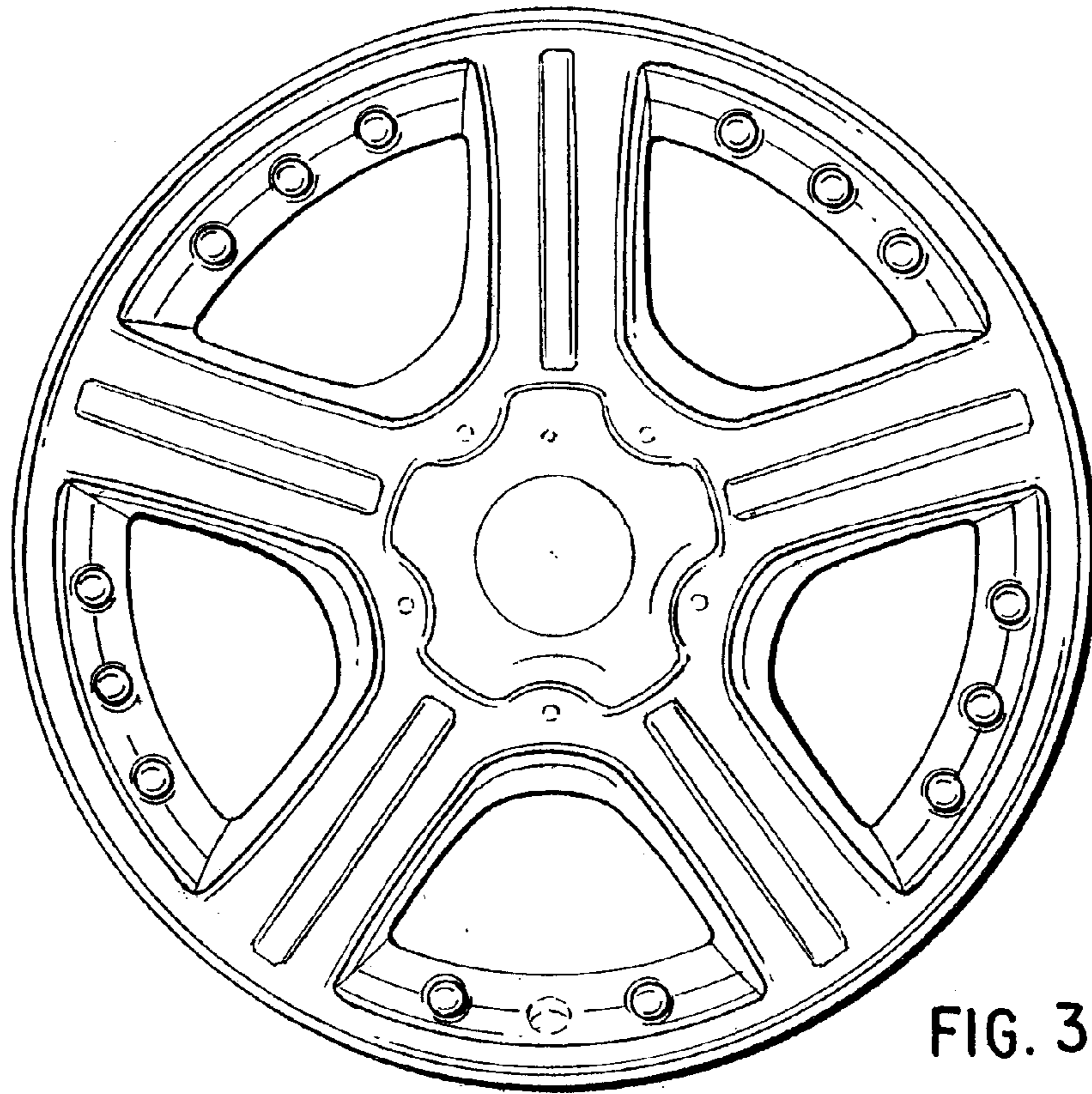


FIG. 3

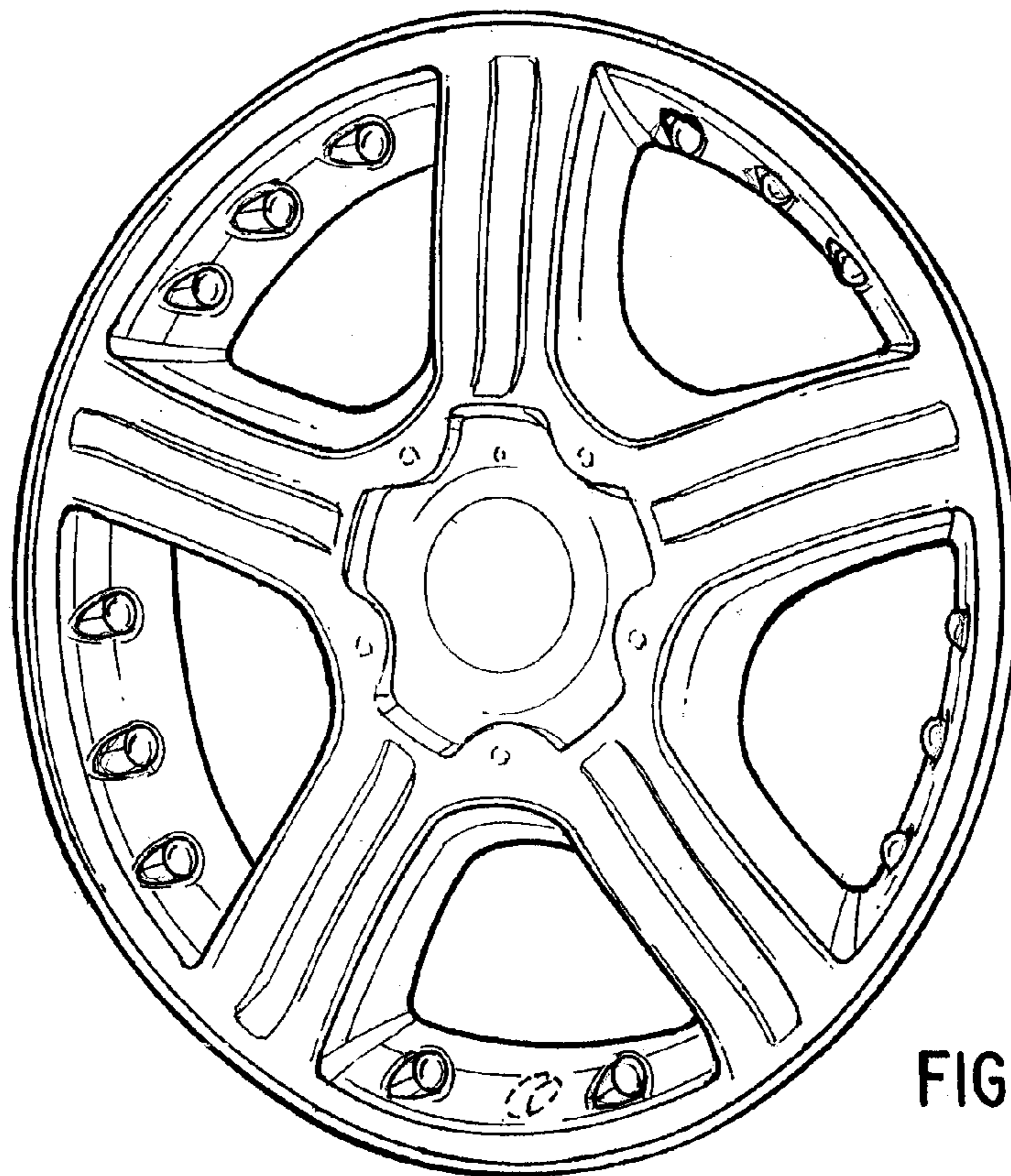


FIG. 4