



US00D519901S

(12) **United States Design Patent**
Panano

(10) **Patent No.:** **US D519,901 S**

(45) **Date of Patent:** **** May 2, 2006**

(54) **WHEEL**

(75) **Inventor:** **Irwin Evardome Panano**, Toyota (JP)

(73) **Assignee:** **Kosei Aluminum Co., Ltd.**, Aichi (JP)

(**) **Term:** **14 Years**

(21) **Appl. No.:** **29/212,764**

(22) **Filed:** **Sep. 8, 2004**

(51) **LOC (8) Cl.** **12-16**

(52) **U.S. Cl.** **D12/209**

(58) **Field of Classification Search** D12/204-213;
301/37.101, 64.101, 65

See application file for complete search history.

(56) **References Cited**

U.S. PATENT DOCUMENTS

D456,331 S	*	4/2002	Chung	D12/209
D470,448 S	*	2/2003	Kataoka	D12/211
D475,670 S	*	6/2003	Chung	D12/209
D480,036 S	*	9/2003	Laengerer	D12/211
D483,714 S	*	12/2003	Warming	D12/211
D489,308 S	*	5/2004	Tirado	D12/209

D500,977 S	*	1/2005	Kushartanto	D12/209
D503,919 S	*	4/2005	Cahyono	D12/211
D505,372 S	*	5/2005	Kushartanto	D12/209
D507,222 S	*	7/2005	Arellano et al.	D12/209

OTHER PUBLICATIONS

Kosei Company Profile—Working in Harmony with the Environment—circa. 2003.

* cited by examiner

Primary Examiner—Stacia Cadmus

(74) *Attorney, Agent, or Firm*—Cook, Alex, McFarron, Manzo, Cummings & Mehler, Ltd.

(57) **CLAIM**

The ornamental design for a wheel, as shown and described.

DESCRIPTION

FIG. 1 is a front perspective view of a wheel showing the new design;

FIG. 2 is a front elevational view thereof; and,

FIG. 3 is a top plan view thereof, the bottom plan view being identical thereto.

1 Claim, 2 Drawing Sheets

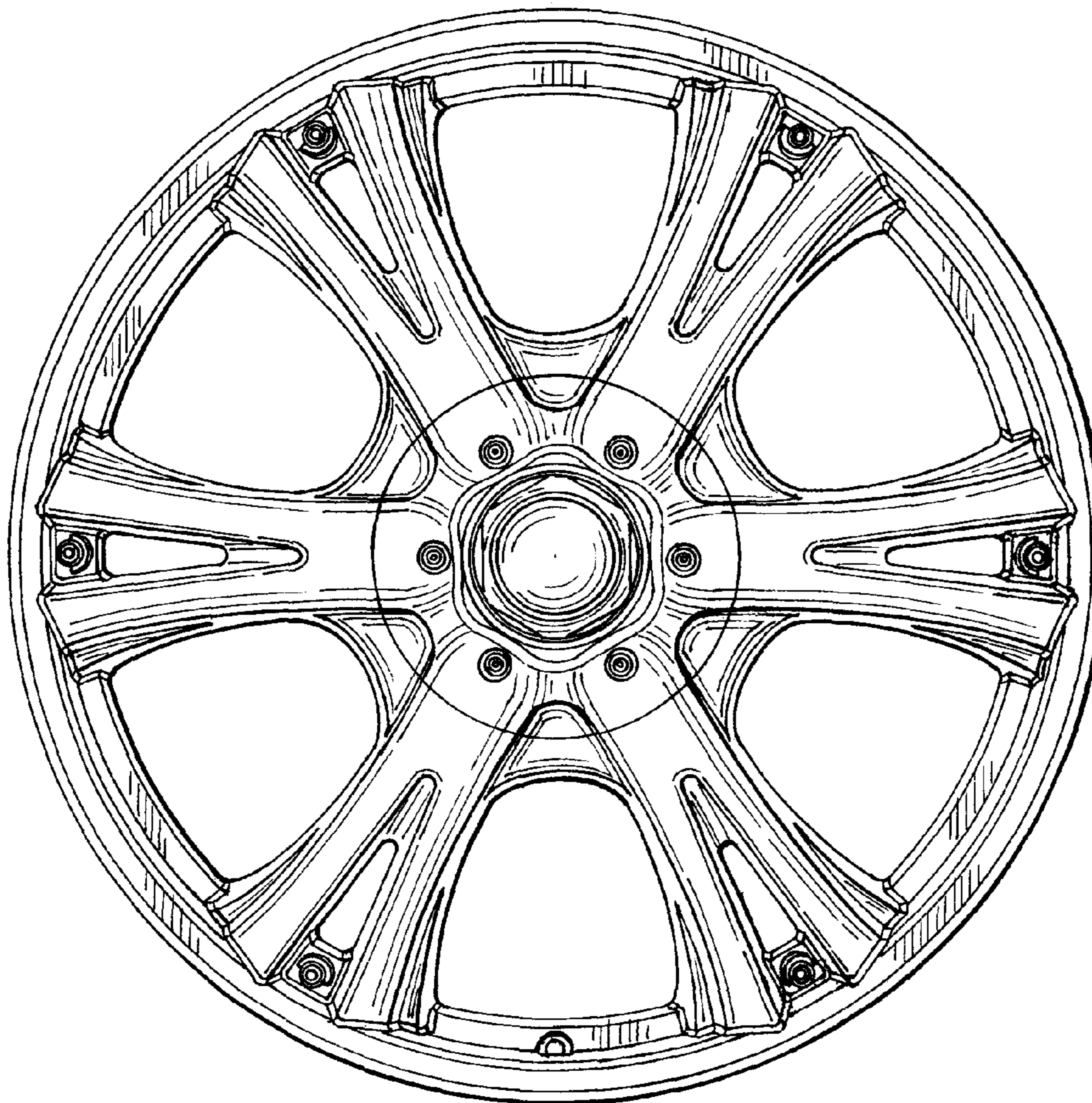


FIG. 1

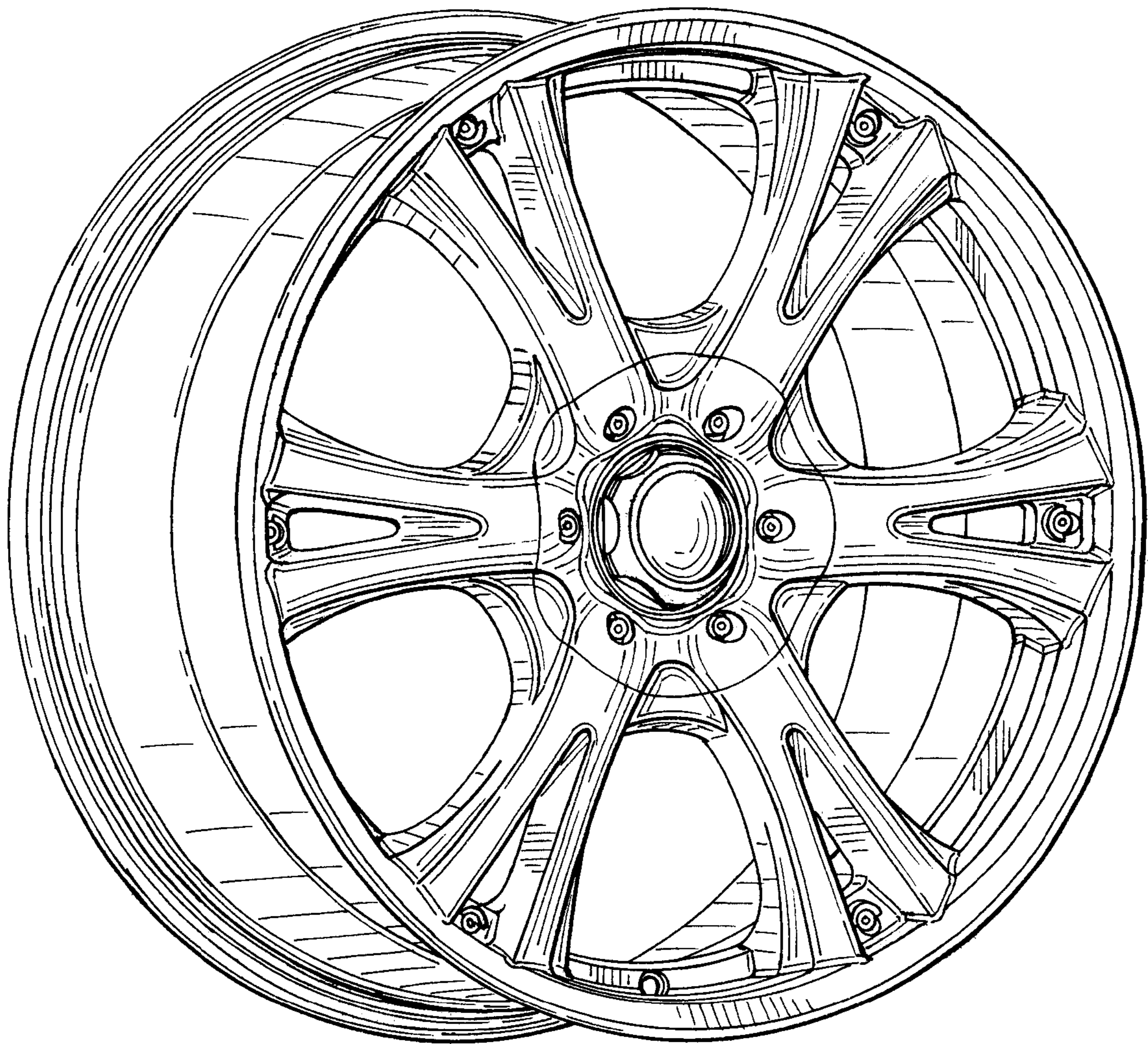


FIG.3

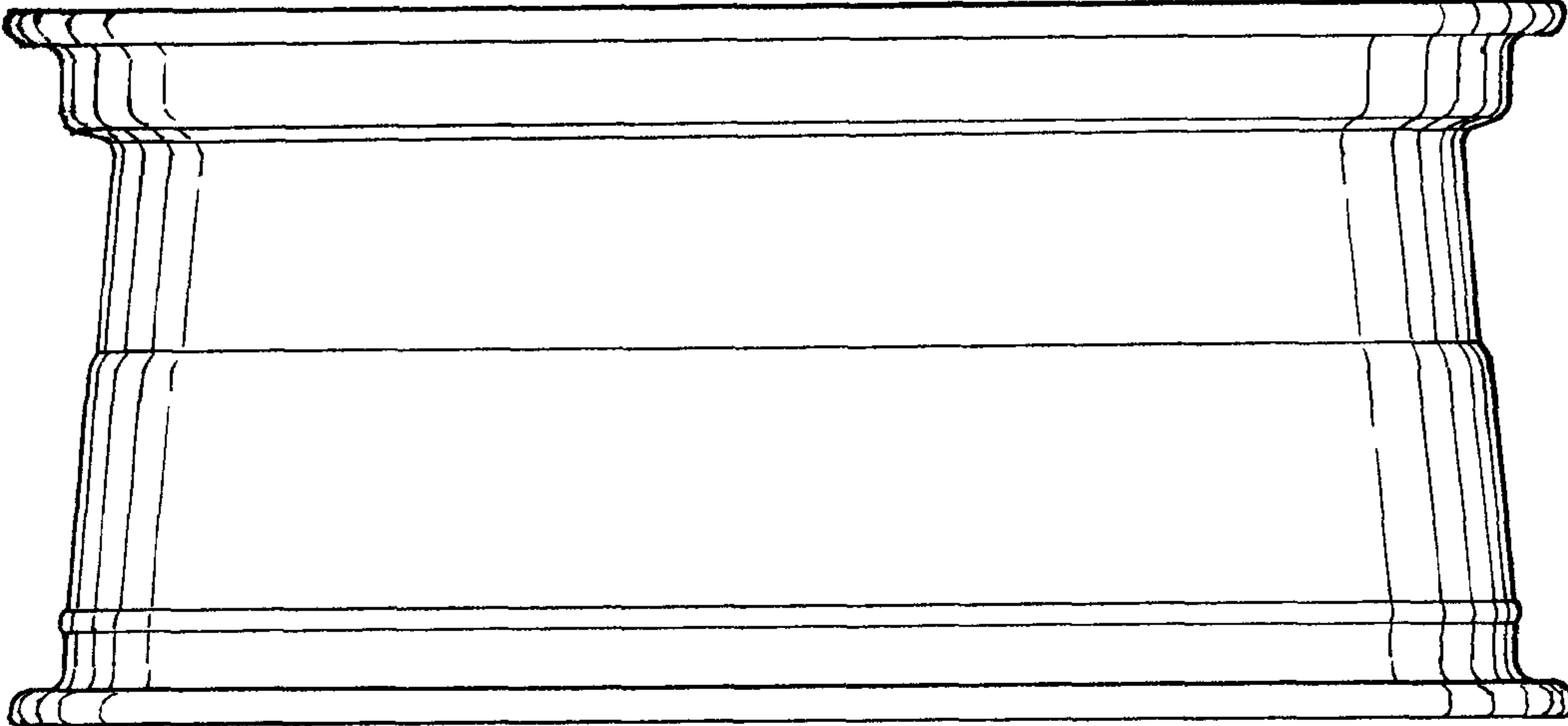


FIG.2

