



US00D519883S

(12) **United States Design Patent** (10) **Patent No.:** **US D519,883 S**
Robb (45) **Date of Patent:** **** May 2, 2006**

(54) **SURFACE CONFIGURATION OF A MOTORCYCLE, TOY, AND/OR OTHER REPLICAS**

(75) Inventor: **David Irwin Robb**, Munich (DE)

(73) Assignee: **Bayerische Motoren Werke Aktiengesellschaft**, Munich (DE)

(**) Term: **14 Years**

(21) Appl. No.: **29/221,519**

(22) Filed: **Jan. 19, 2005**

(30) **Foreign Application Priority Data**

Jul. 19, 2004 (DE) 40404181

(51) **LOC (8) Cl.** **12-11**

(52) **U.S. Cl.** **D12/110**

(58) **Field of Classification Search** D12/110;
180/219, 220, 225, 229; D21/432, 538; 446/440
See application file for complete search history.

(56) **References Cited**

U.S. PATENT DOCUMENTS

D378,204 S * 2/1997 Heinrich et al. D12/110
D437,262 S * 2/2001 Robb et al. D12/110
D444,103 S * 6/2001 Robb et al. D12/110
D455,373 S * 4/2002 Robb et al. D12/110

* cited by examiner

Primary Examiner—Alan P. Douglas

Assistant Examiner—Linda Brooks

(74) *Attorney, Agent, or Firm*—Crowell & Moring LLP

(57) **CLAIM**

The ornamental design for a surface configuration of a motorcycle, toy, and/or other replicas, as shown and described.

DESCRIPTION

FIG. 1 is a front, left perspective view of a surface configuration of a motorcycle, toy, and/or other replicas according to my novel design;

FIG. 2 is a front, right perspective view of the surface configuration of a motorcycle, toy, and/or other replicas according to my novel design;

FIG. 3 is a rear, left perspective view of the surface configuration of a motorcycle, toy, and/or other replicas according to my novel design;

FIG. 4 is a rear, right perspective view of the surface configuration of a motorcycle, toy, and/or other replicas according to my novel design;

FIG. 5 is a left side view of the surface configuration of a motorcycle, toy, and/or other replicas according to my novel design;

FIG. 6 is a right side view of the surface configuration of a motorcycle, toy, and/or other replicas according to my novel design;

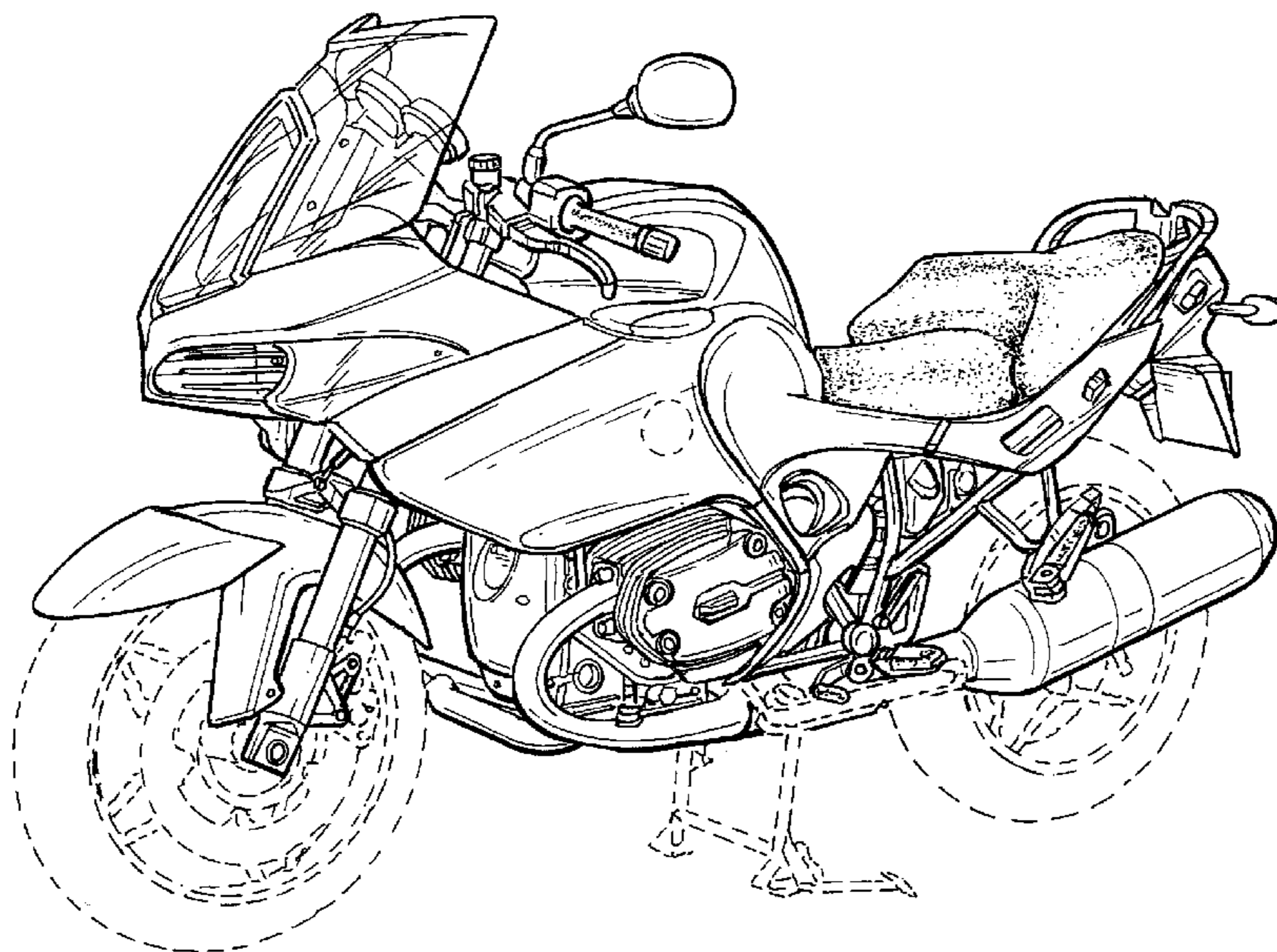
FIG. 7 is a front view of the surface configuration of a motorcycle, toy, and/or other replicas according to my novel design;

FIG. 8 is a rear view of the surface configuration of a motorcycle, toy, and/or other replicas according to my novel design; and,

FIG. 9 is a top view of the surface configuration of a motorcycle, toy, and/or other replicas according to my novel design.

The broken lines are for illustrative purposes only and form no part of the claimed design.

1 Claim, 8 Drawing Sheets



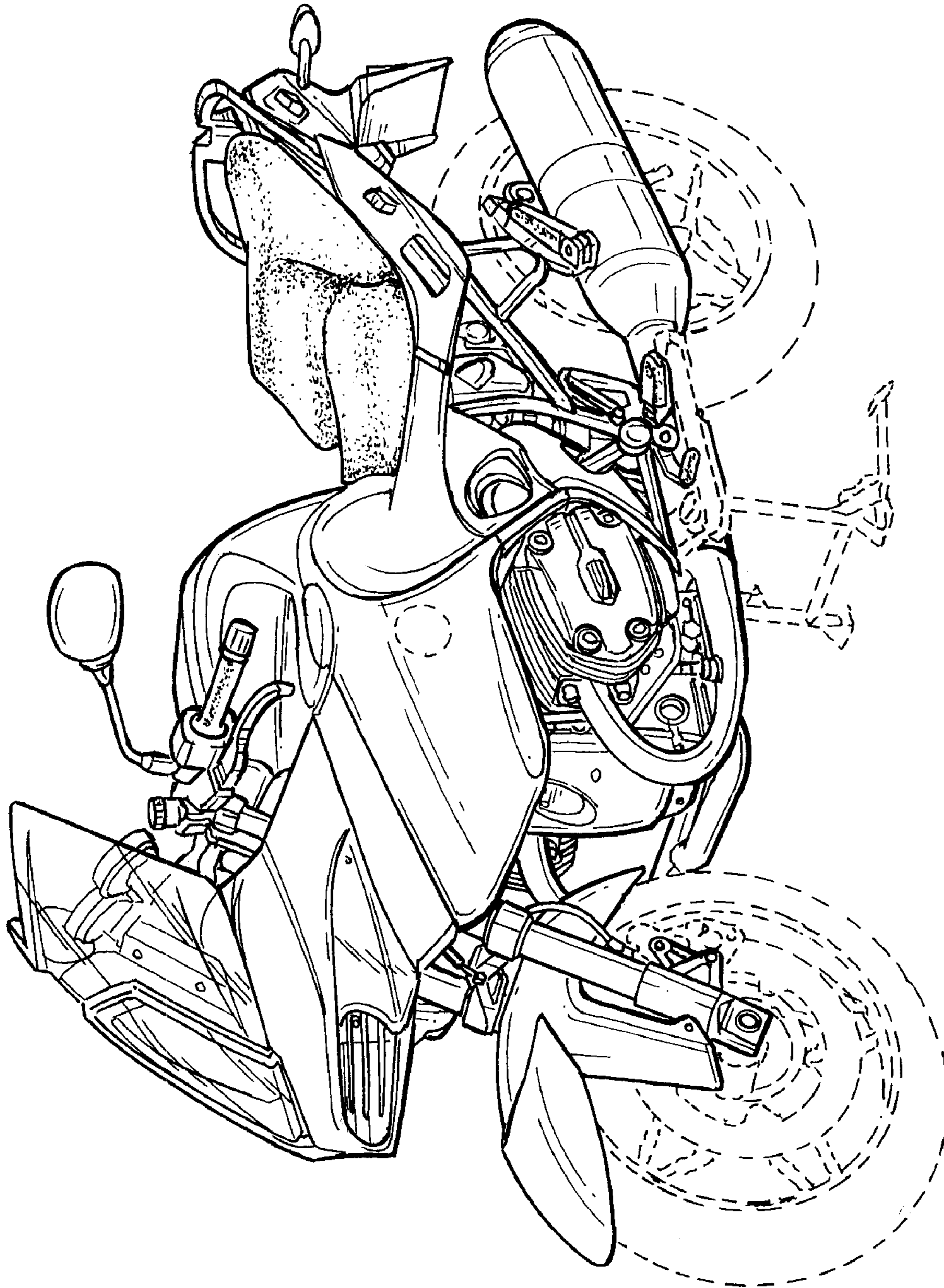


FIG. 1

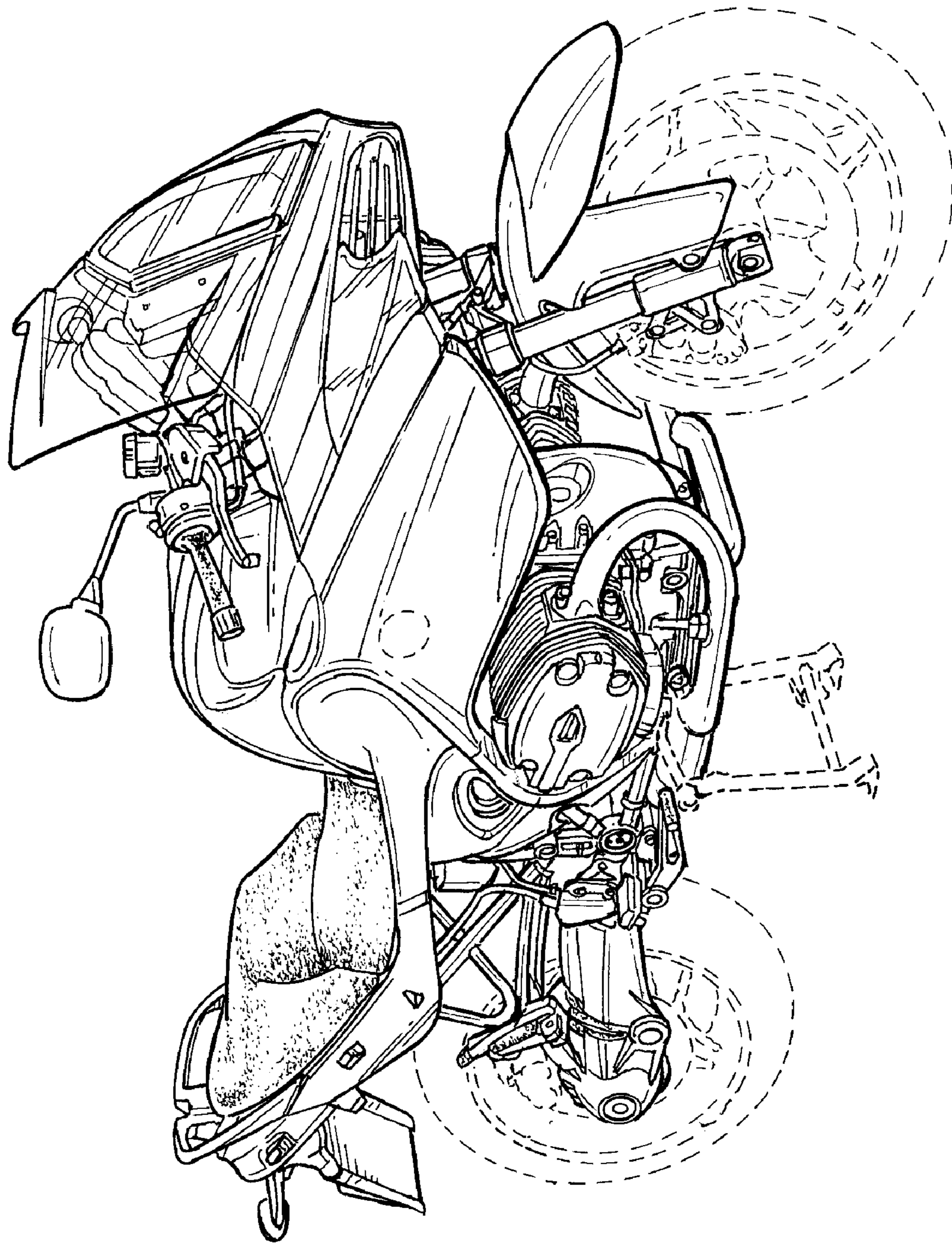


FIG. 2

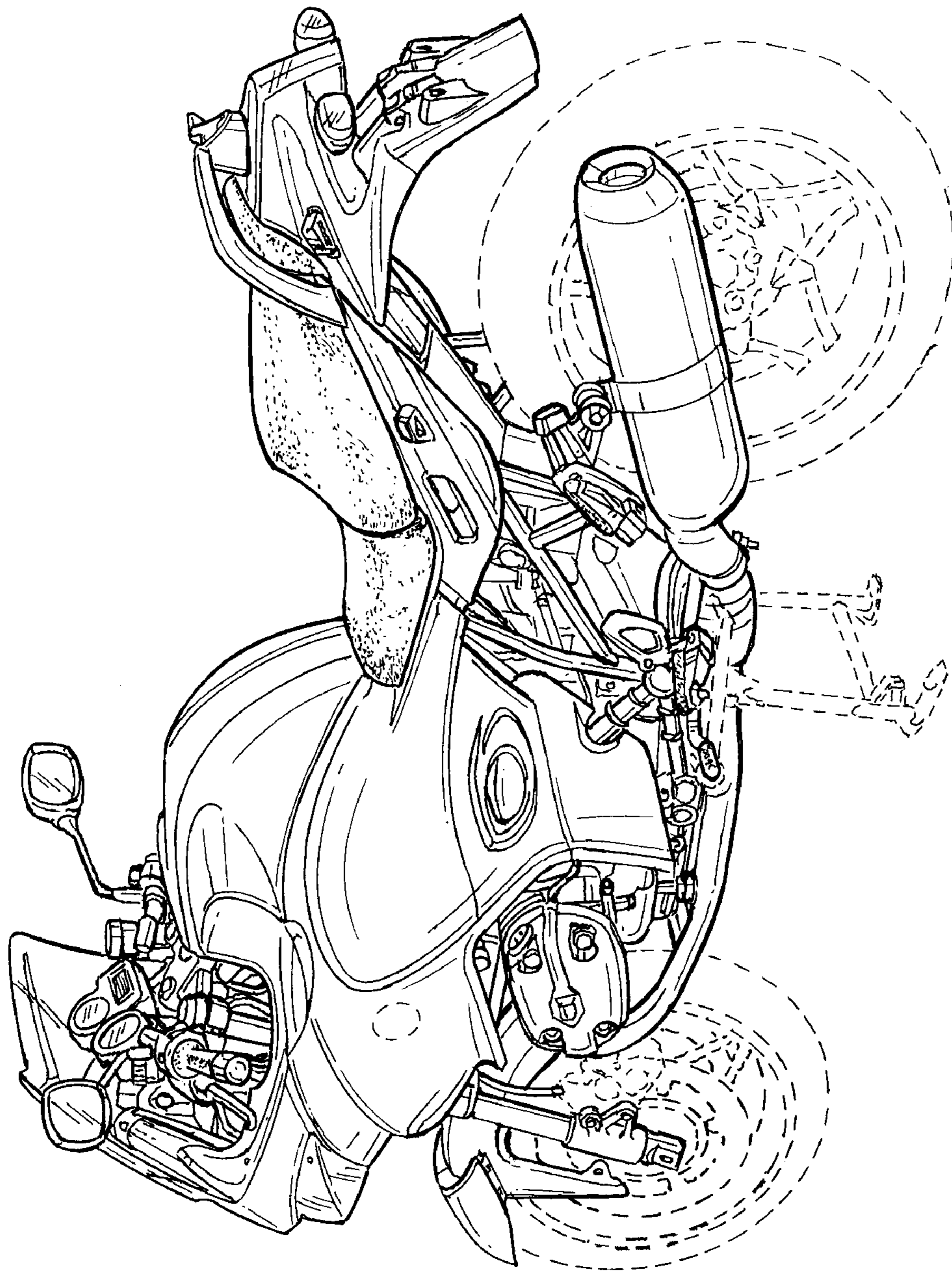


FIG. 3

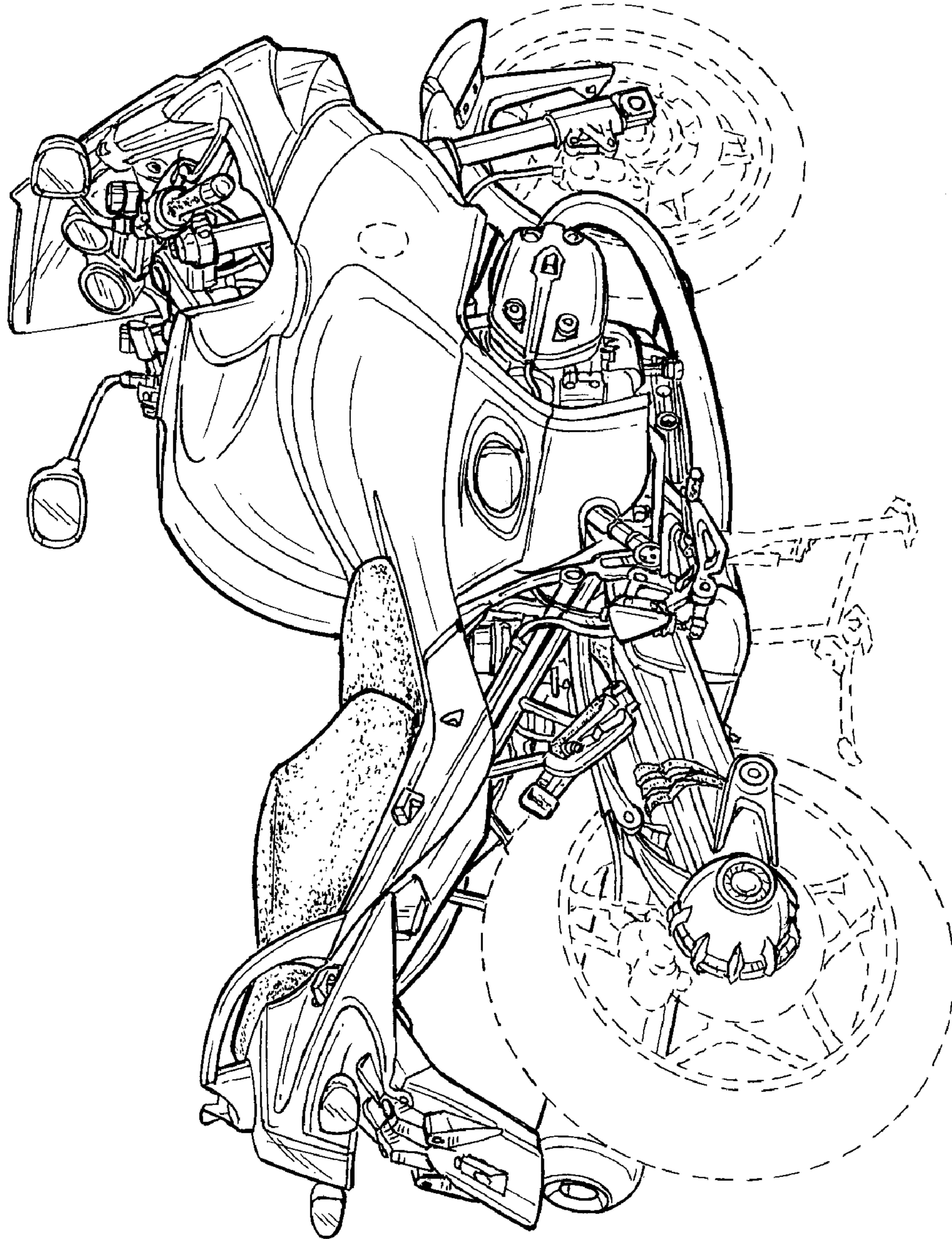


FIG. 4

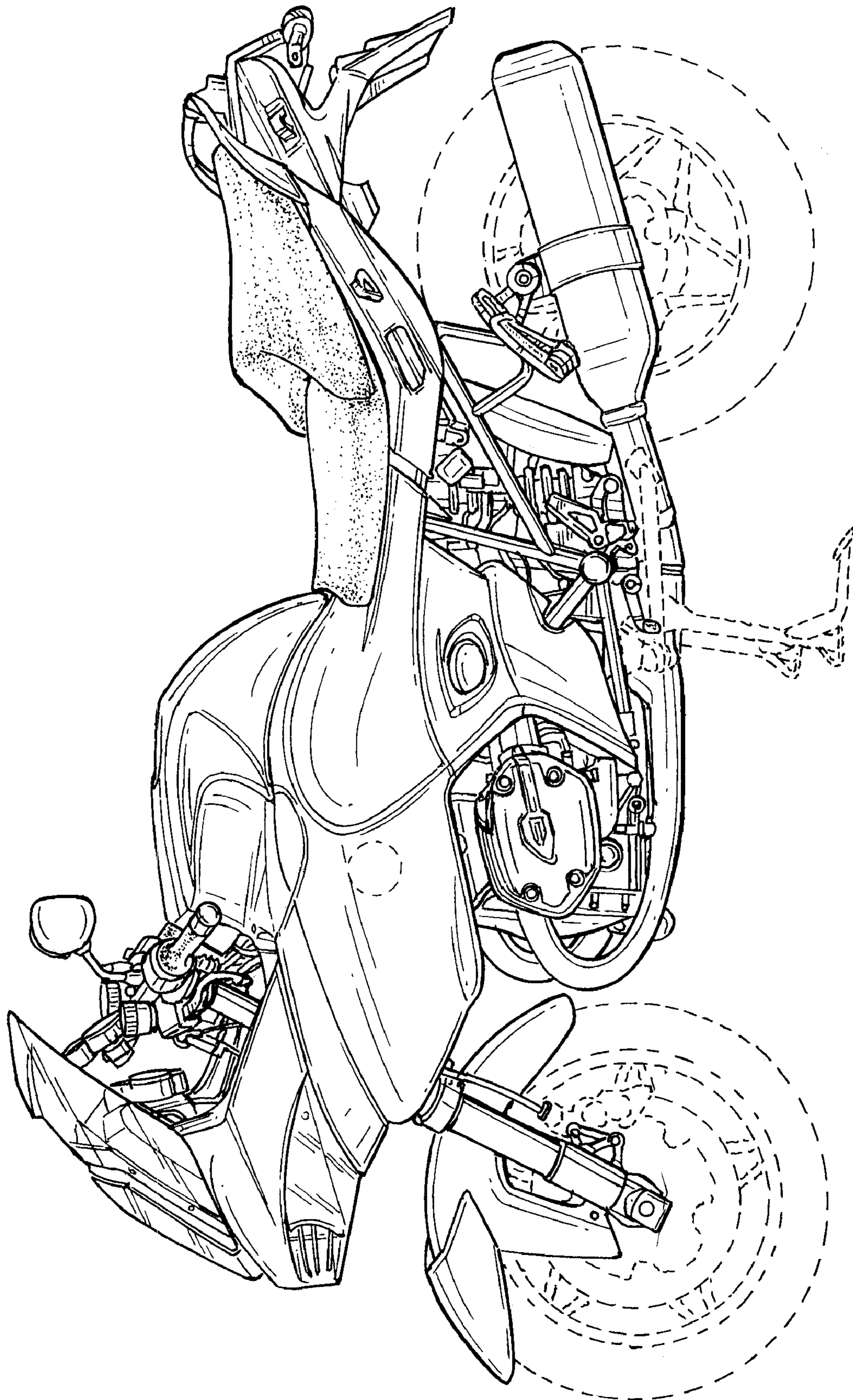


FIG. 5

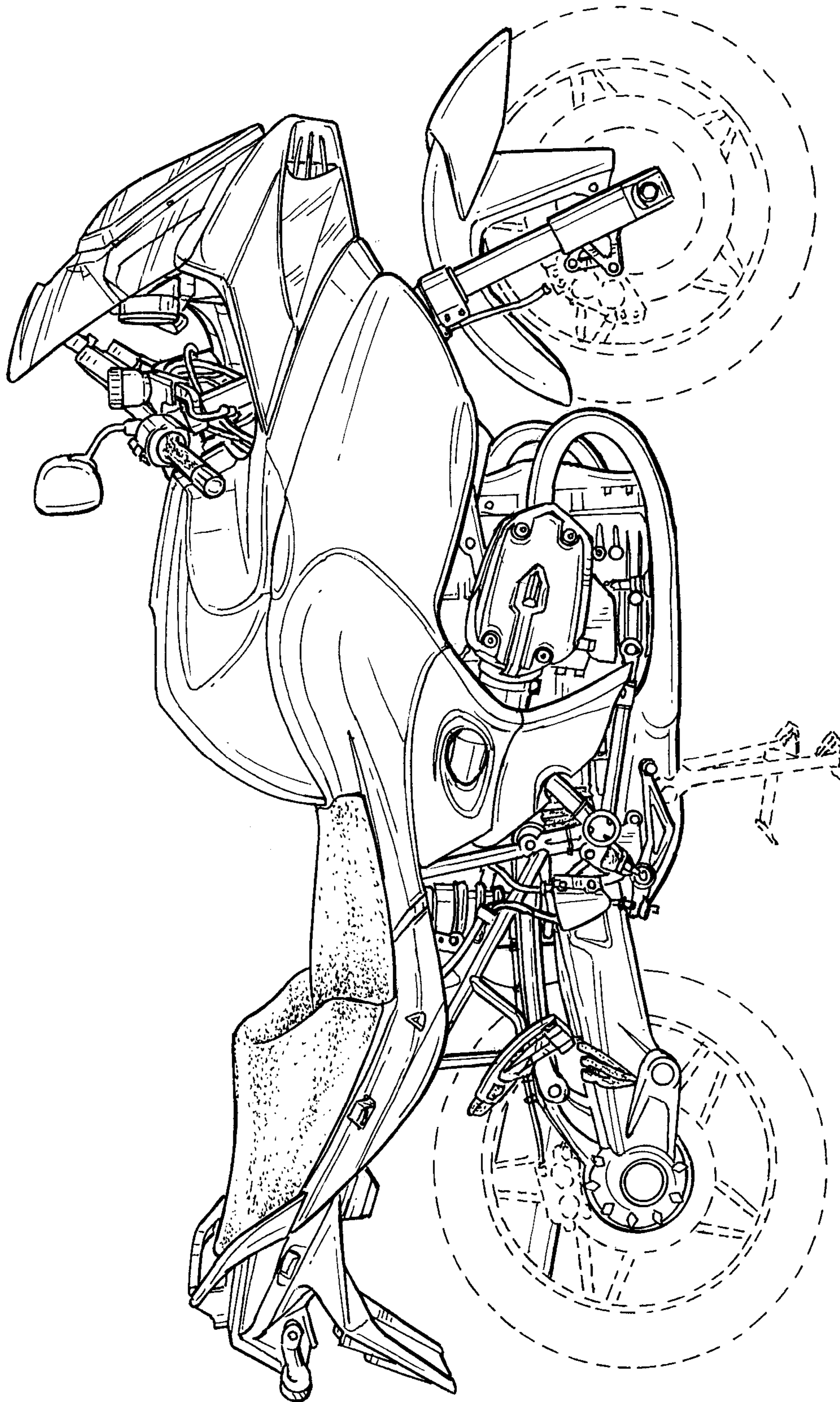


FIG. 6

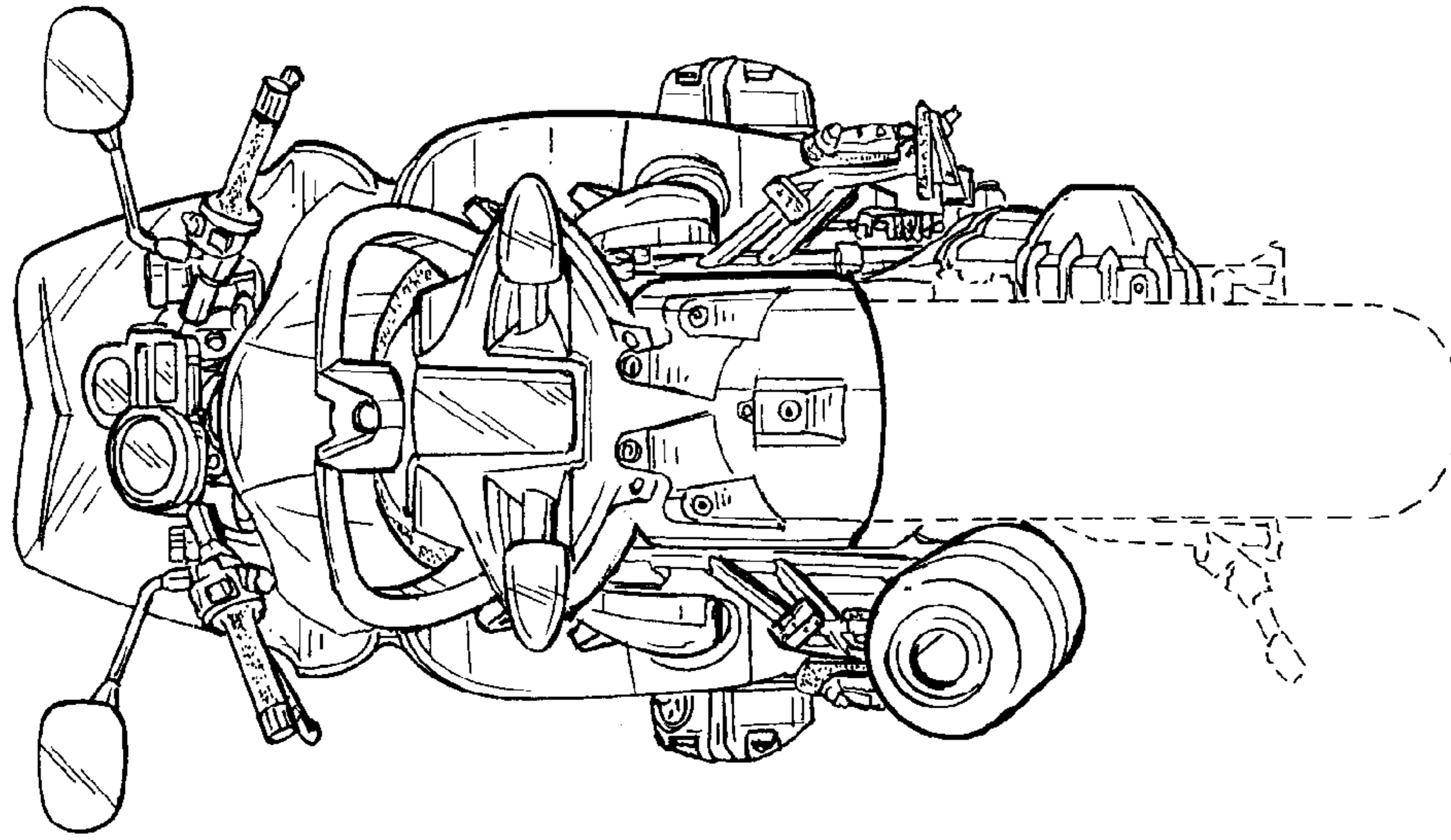


FIG. 8

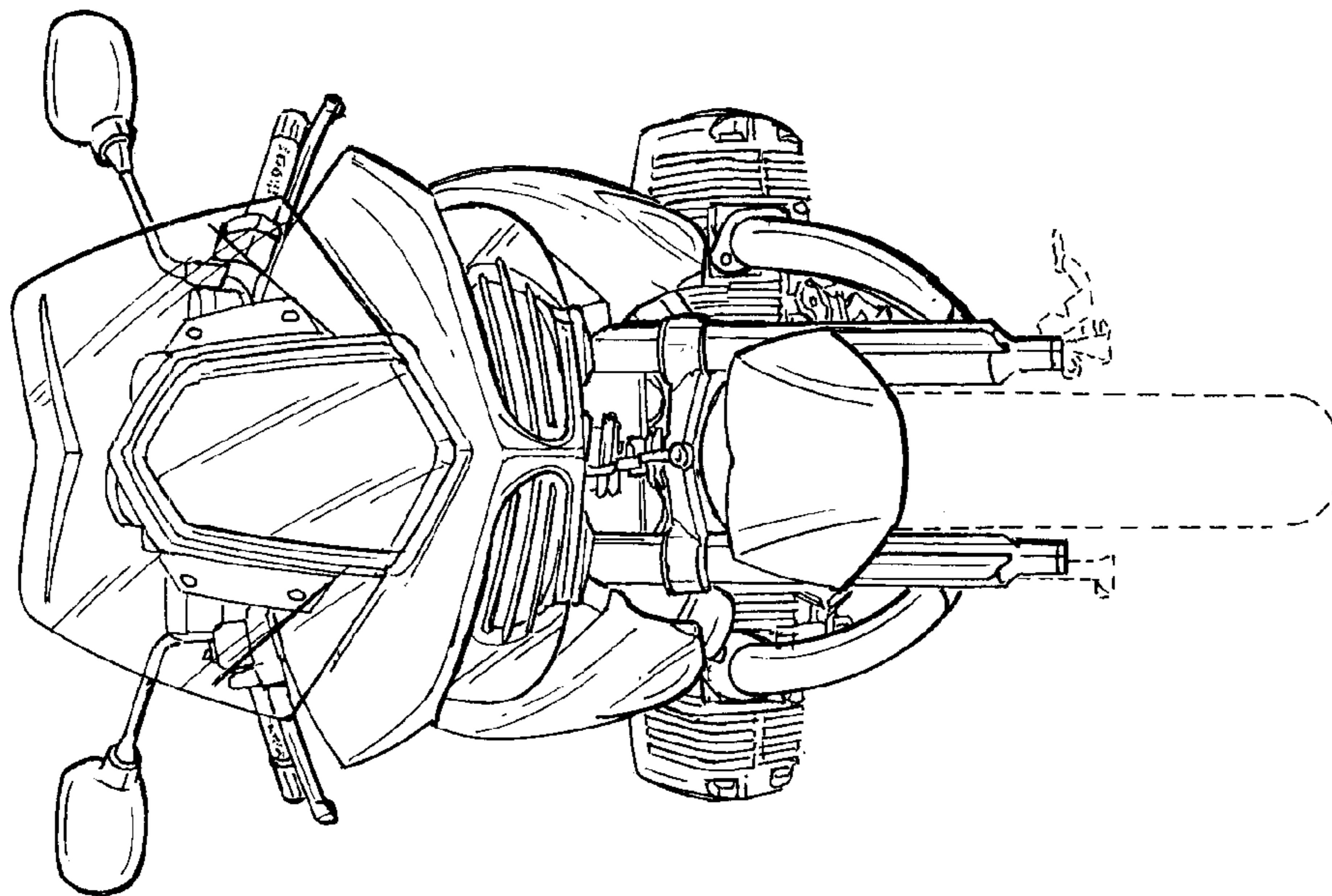


FIG. 7

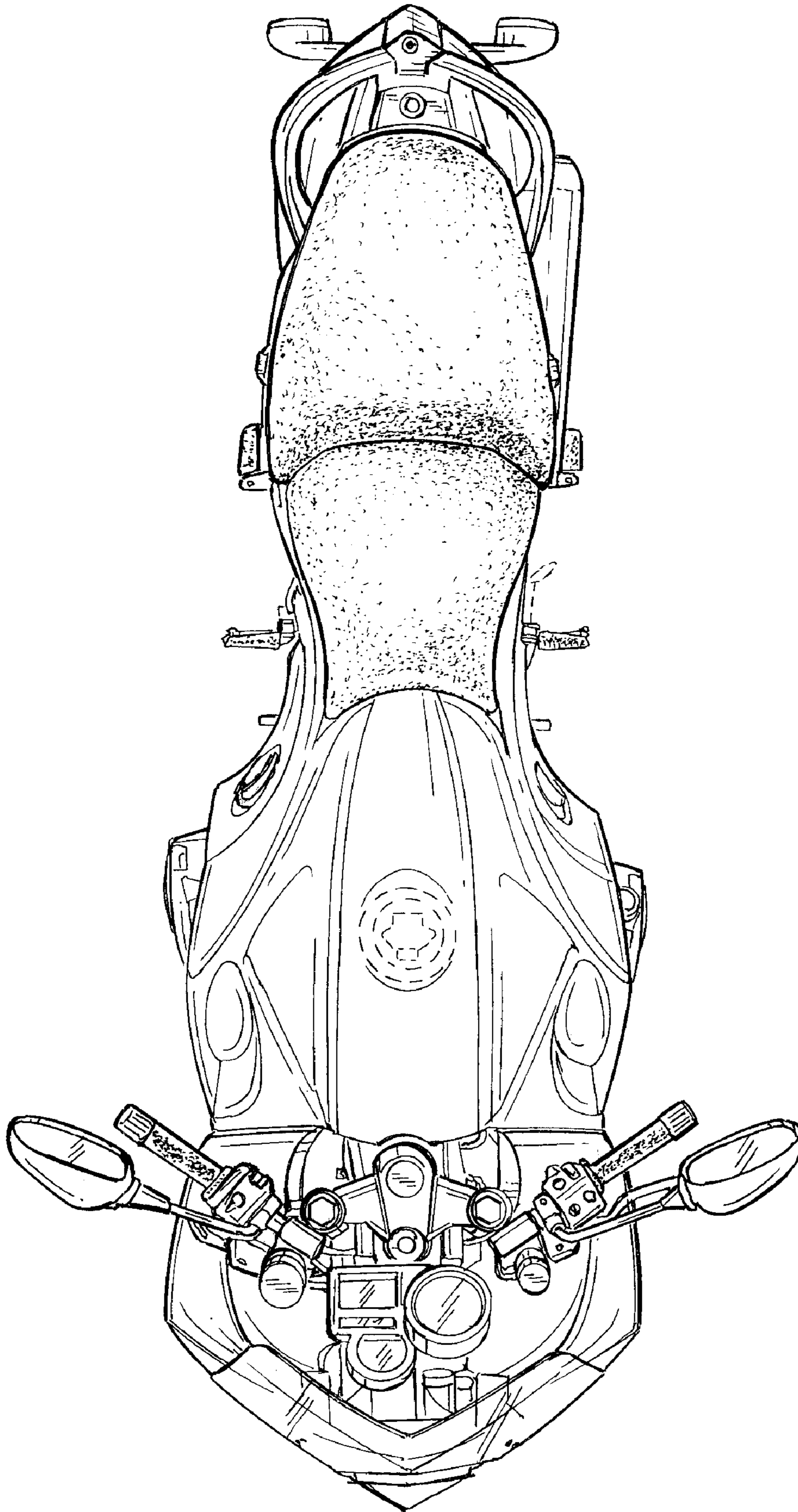


FIG. 9