



US00D519870S

(12) **United States Design Patent**
Pritchard

(10) **Patent No.:** **US D519,870 S**

(45) **Date of Patent:** **** May 2, 2006**

(54) **TRUCKER'S SAFE-TO-PASS COURTESY LIGHT**

(76) Inventor: **Michael W. Pritchard**, c/o Phippens Farm, Stroke-St. Michael, Bath, Somerset (GB)

(**) Term: **14 Years**

(21) Appl. No.: **29/198,239**

(22) Filed: **Jan. 28, 2004**

(51) **LOC (8) Cl.** **10-05**

(52) **U.S. Cl.** **D10/109**

(58) **Field of Classification Search** D26/87, D26/86, 85, 82, 78, 76, 75, 118, 72, 26, 89, D26/37, 33, 32; D13/139.6; D8/354; D15/5; D10/114, 109; D20/11, 10; 315/82; 340/470, 340/425.5; 40/556; 174/67; 439/651
See application file for complete search history.

(56) **References Cited**

U.S. PATENT DOCUMENTS

- 2,854,650 A * 9/1958 Baker et al. 340/470
- 3,014,201 A 12/1961 Himmelbauer
- 3,648,101 A 3/1972 Suzuki
- 4,157,531 A 6/1979 Mont
- 4,574,269 A 3/1986 Miller
- D287,599 S * 1/1987 Murray D15/5
- 5,089,939 A 2/1992 Baader
- D331,638 S * 12/1992 Vamberszky et al. D26/118

- D343,019 S * 1/1994 Garrity D26/37
- 5,302,161 A * 4/1994 Loubert et al. 482/8
- D347,293 S * 5/1994 Roos et al. D26/118
- 5,355,117 A 10/1994 Jefferson
- 5,587,699 A 12/1996 Faloon et al.
- D382,663 S * 8/1997 Barry D26/72
- D383,407 S * 9/1997 Repp et al. D10/106
- D393,095 S * 3/1998 Fiorato D26/85
- D399,212 S * 10/1998 Roderweiss et al. D15/5
- 5,951,444 A * 9/1999 Webber 482/99
- D493,117 S * 7/2004 Huang D10/114
- D503,993 S * 4/2005 Yurich D26/89

* cited by examiner

Primary Examiner—Cathron C. Brooks

Assistant Examiner—Austin Murphy

(74) *Attorney, Agent, or Firm*—Donald R. Schoonover

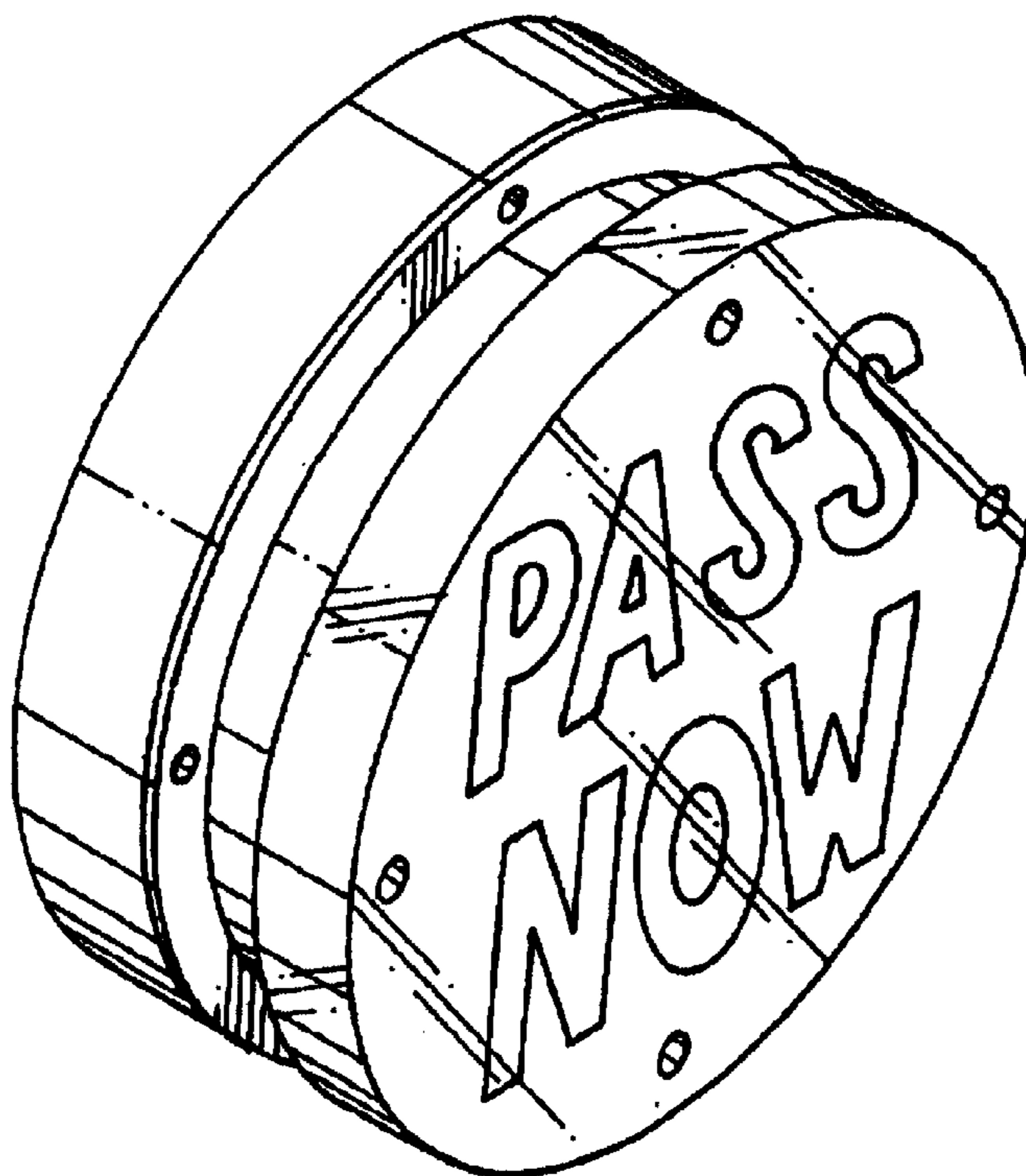
(57) **CLAIM**

I claim the ornamental design for a trucker's safe-to-pass courtesy light, as shown and described.

DESCRIPTION

FIG. 1 is a perspective view of a trucker's safe-to-pass courtesy light showing my new design; FIG. 2 is a front elevational view thereof; FIG. 3 is a rear elevational view thereof; and, FIG. 4 is a side elevational view thereof, the elevational view of all other sides being identical thereto.

1 Claim, 3 Drawing Sheets



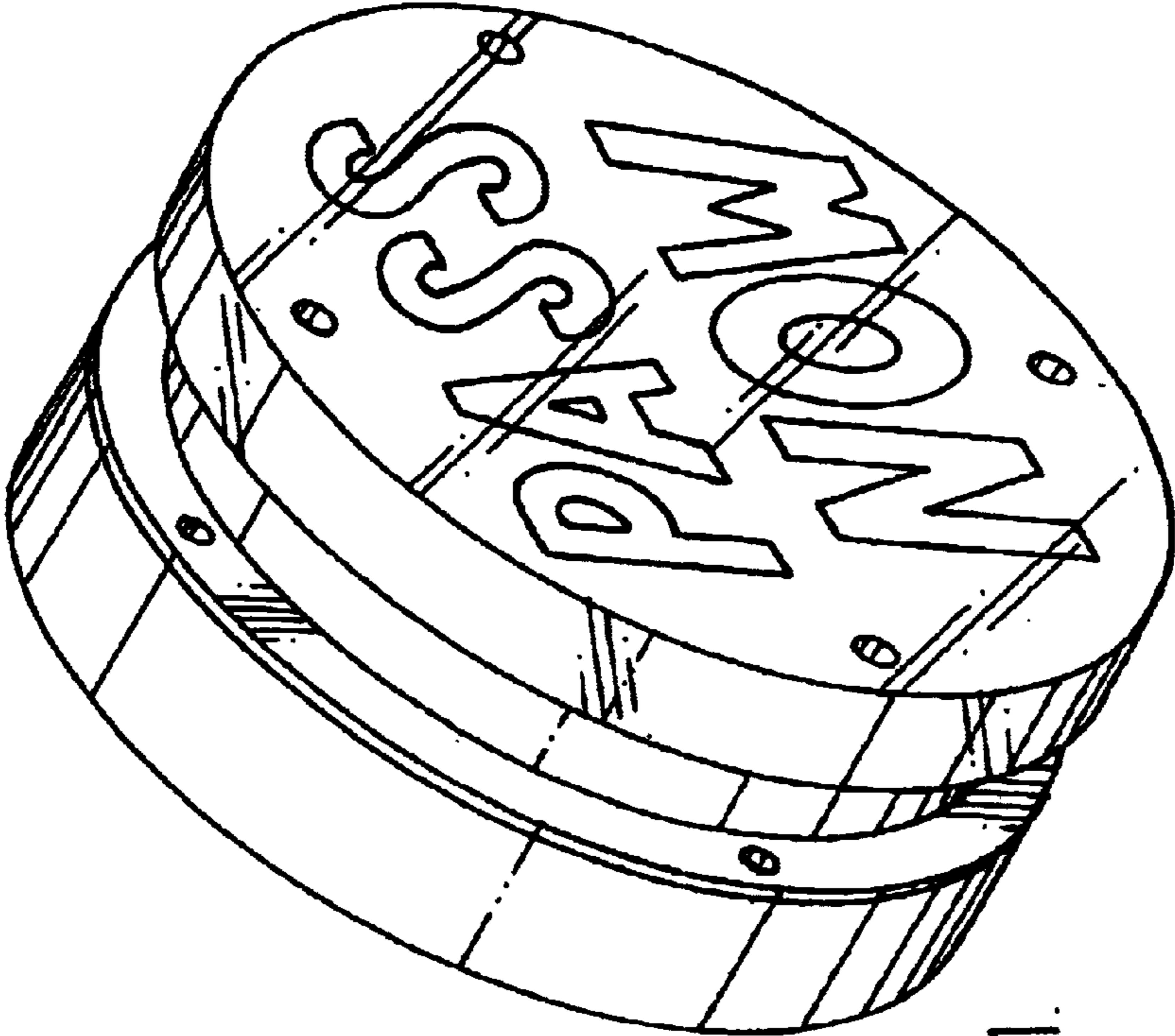


FIG.1.

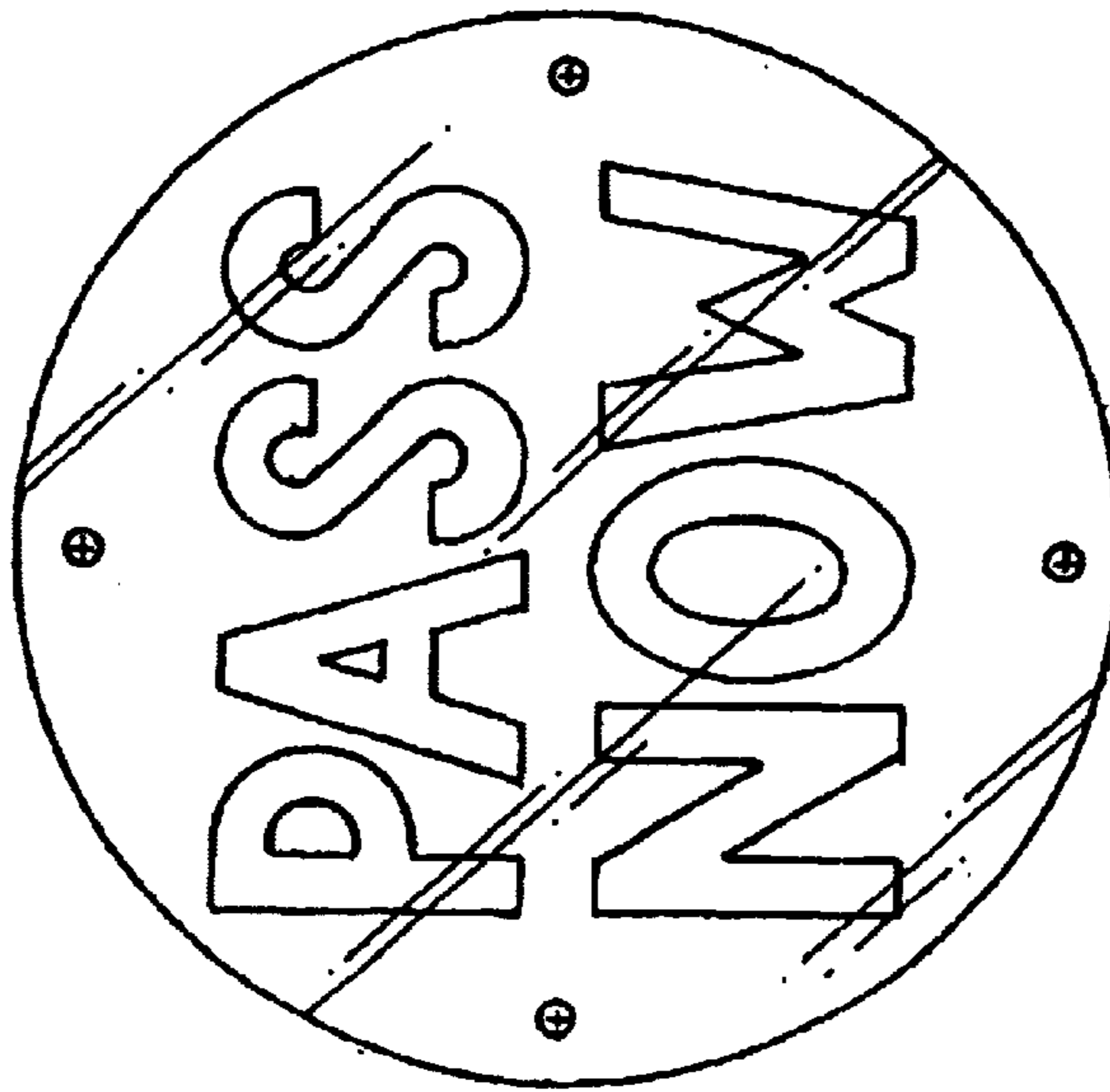


FIG. 2.

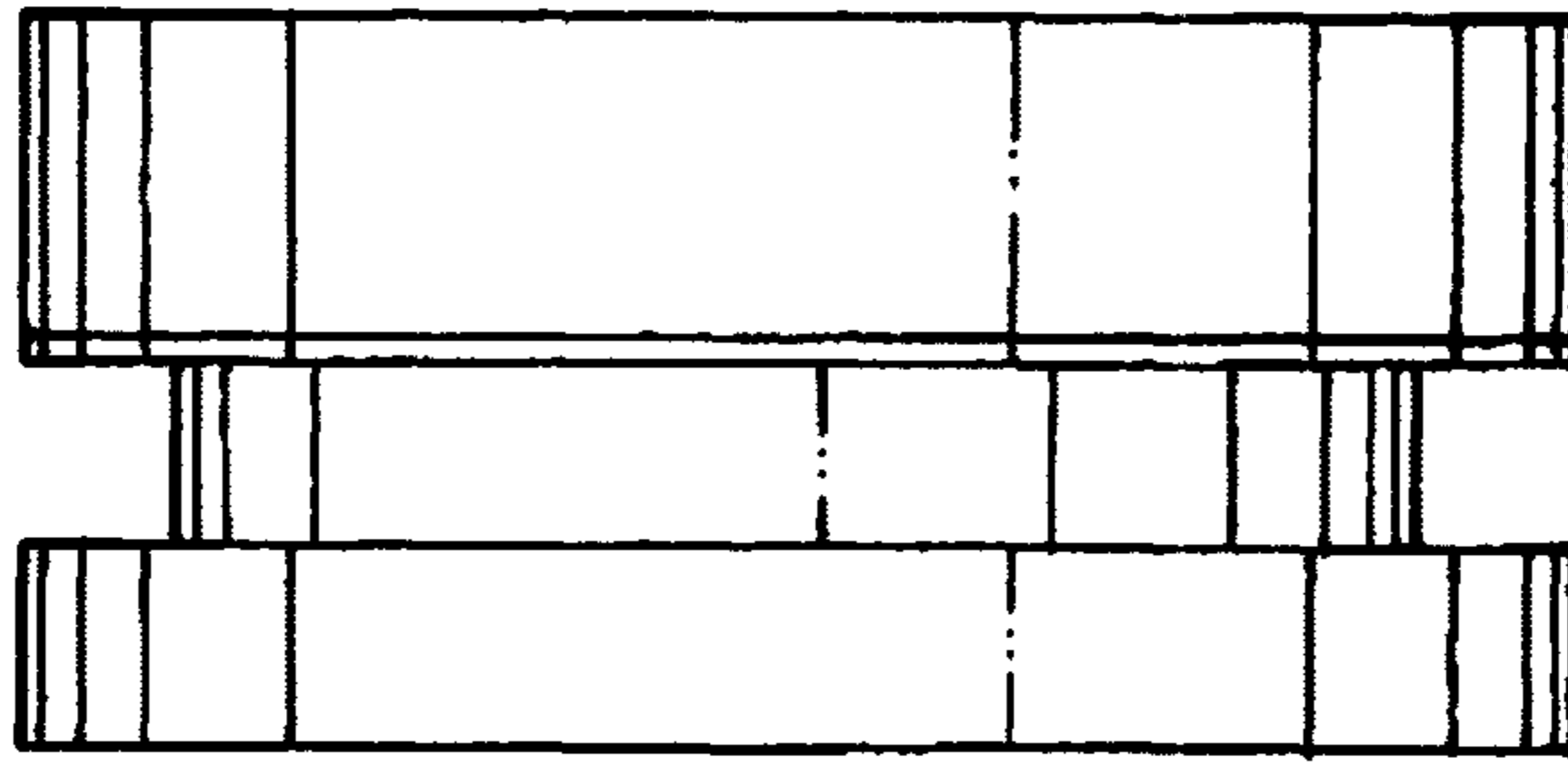


FIG. 4.

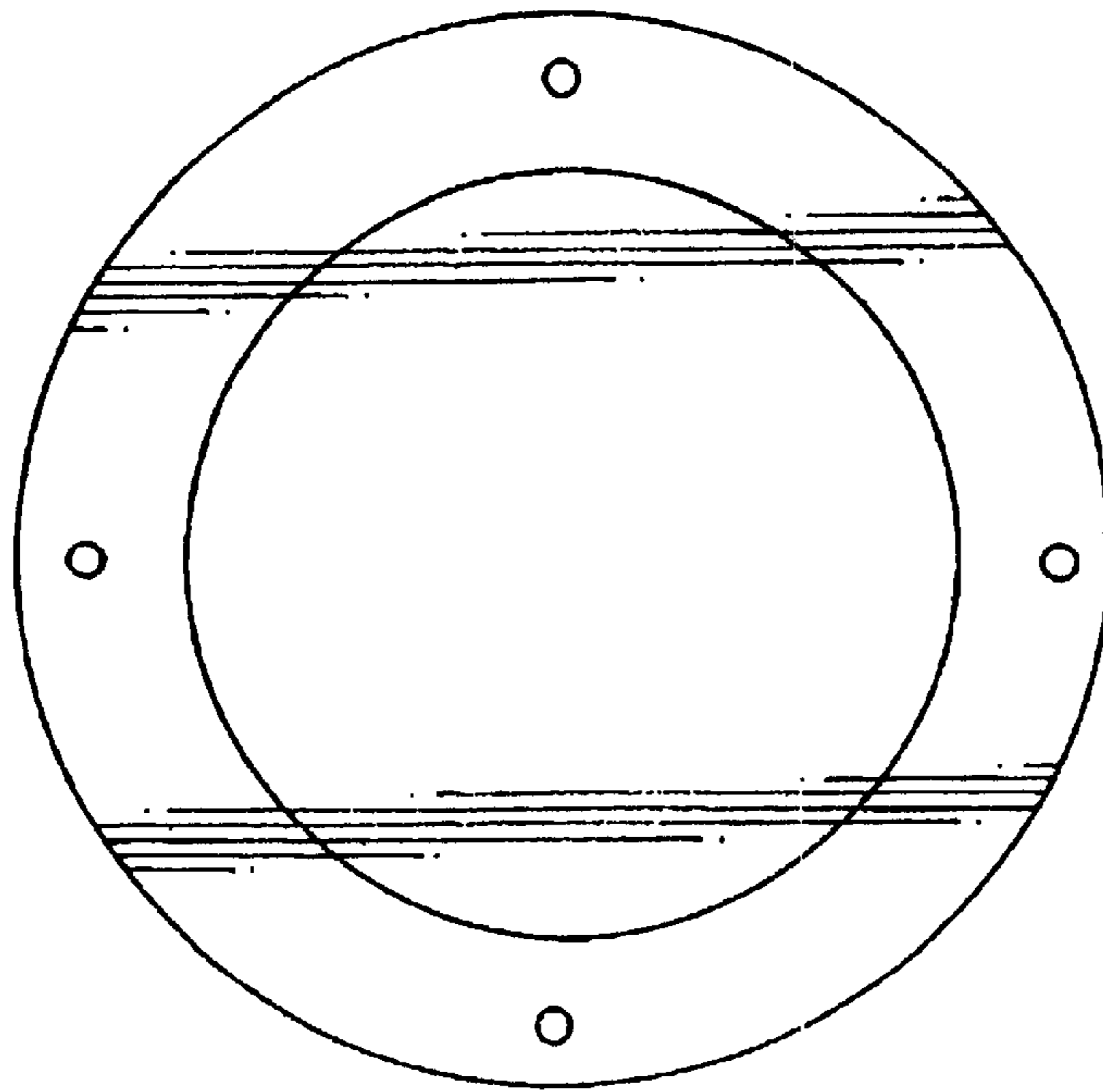


FIG. 3.