



US00D519867S

(12) **United States Design Patent**
Kim

(10) **Patent No.:** **US D519,867 S**

(45) **Date of Patent:** **** May 2, 2006**

(54) **LOWER BODY OF FLOAT GUAGE HEAD**

(75) Inventor: **Young Rae Kim**, Kyoungki-do (KR)

(73) Assignee: **Dymco Co., Ltd.**, Siheung-Si (KR)

(**) Term: **14 Years**

(21) Appl. No.: **29/188,371**

(22) Filed: **Aug. 14, 2003**

(30) **Foreign Application Priority Data**

May 30, 2003 (KR) 30-2003-0015128

(51) **LOC (8) Cl.** **10-04**

(52) **U.S. Cl.** **D10/101**

(58) **Field of Classification Search** D10/101,
D10/103; 73/322, 322.5, 309, 290 R, 305-307
See application file for complete search history.

(56) **References Cited**

U.S. PATENT DOCUMENTS

D313,949 S * 1/1991 Fekete D10/101
D399,444 S * 10/1998 Ross, Jr. D10/103

6,041,650 A * 3/2000 Swindler et al. 73/317
6,089,086 A * 7/2000 Swindler et al. 73/317
6,170,328 B1 * 1/2001 Ross et al. 73/305
2003/0106371 A1 * 6/2003 Housey et al. 73/317

* cited by examiner

Primary Examiner—Antoine D. Davis

(74) *Attorney, Agent, or Firm*—Darby & Darby

(57) **CLAIM**

The ornamental design for an lower body of float gauge head, as shown and described.

DESCRIPTION

FIG. 1 is a perspective view of a lower body of float gauge head, showing my new design;
FIG. 2 is a front elevational view thereof;
FIG. 3 is a rear elevational view thereof;
FIG. 4 is a left side elevational view thereof;
FIG. 5 is a right side elevational view thereof;
FIG. 6 is a top plan view thereof; and,
FIG. 7 is a bottom plan view thereof.

1 Claim, 4 Drawing Sheets

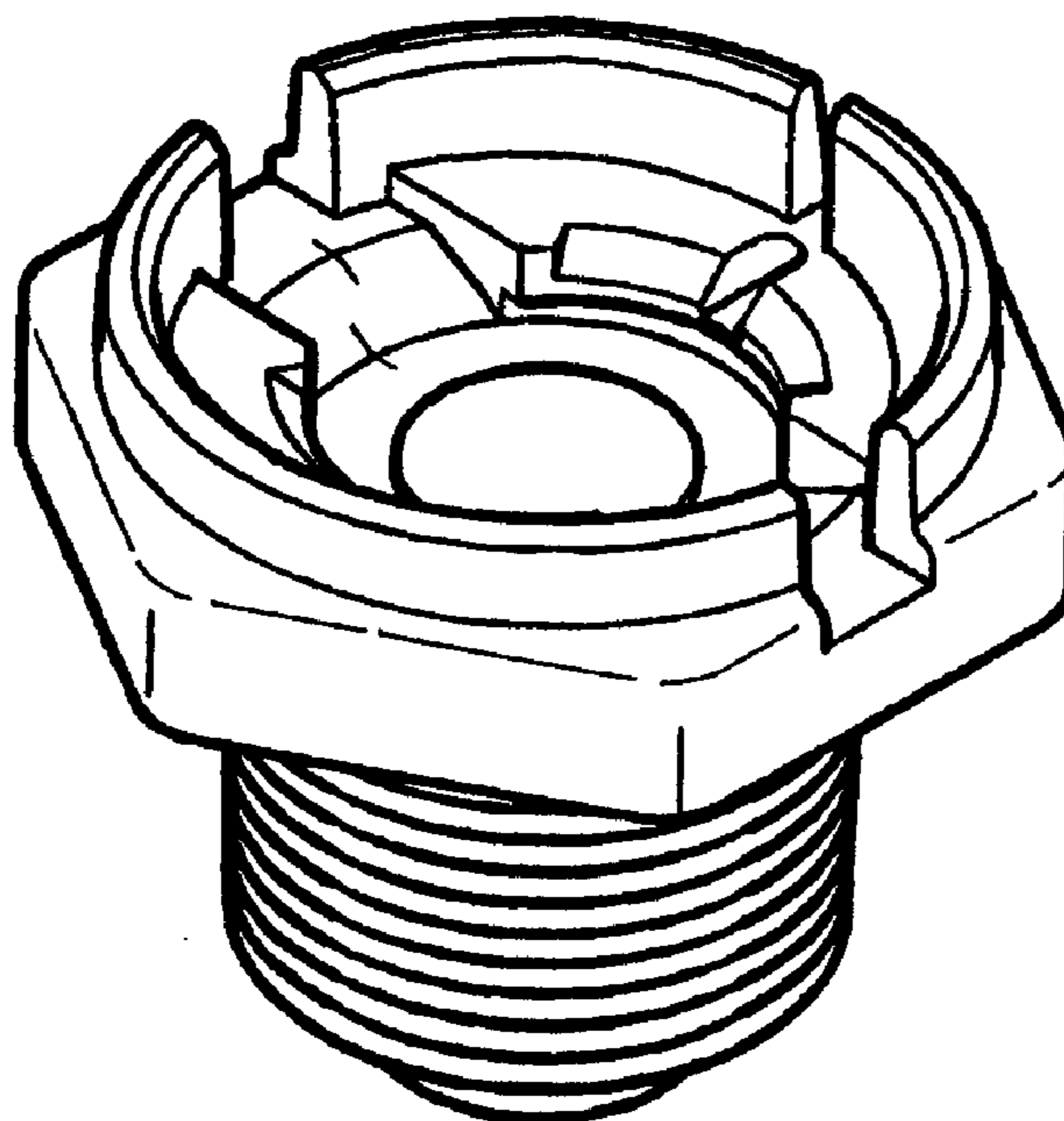


FIG 1

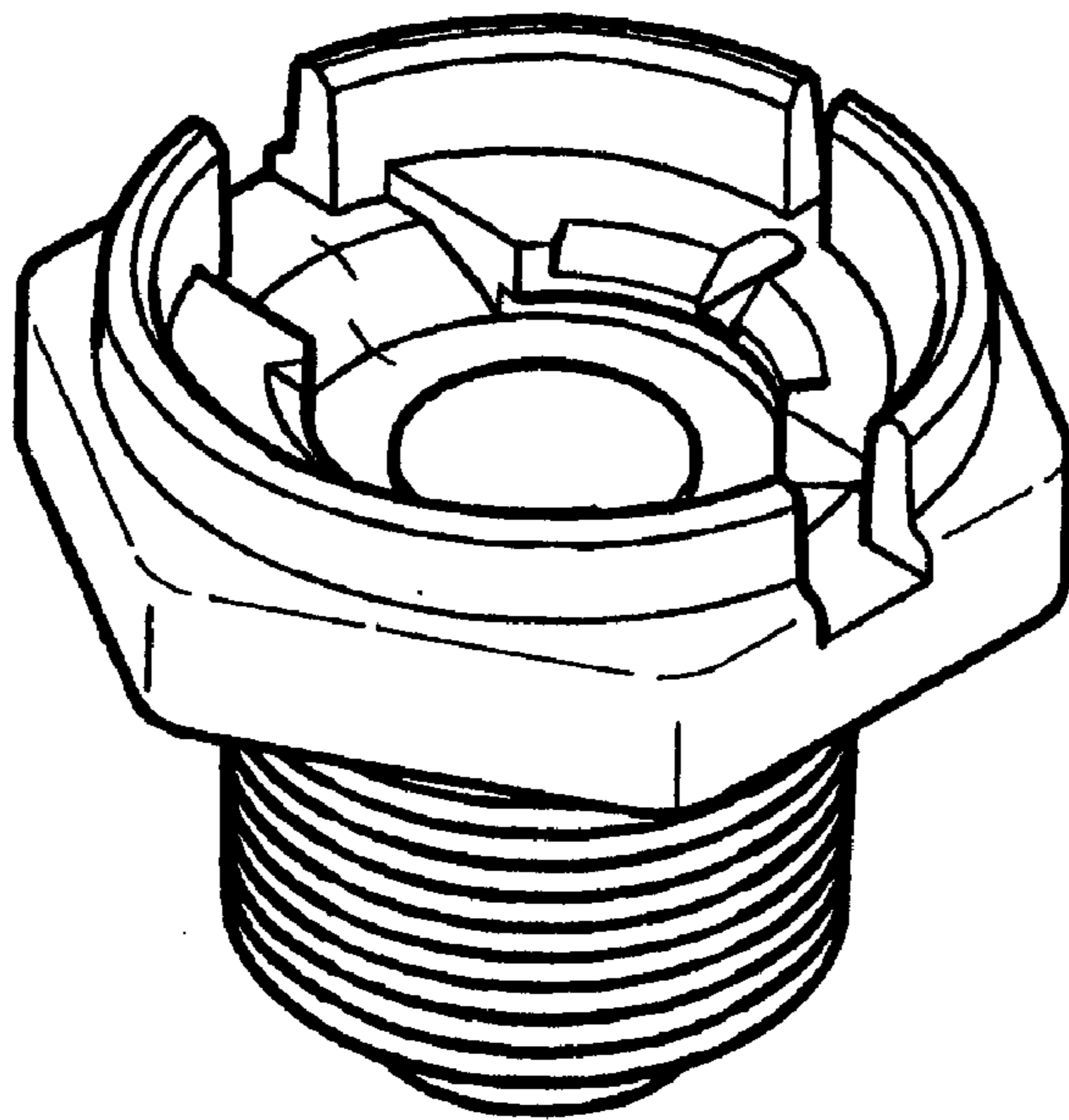


FIG 2

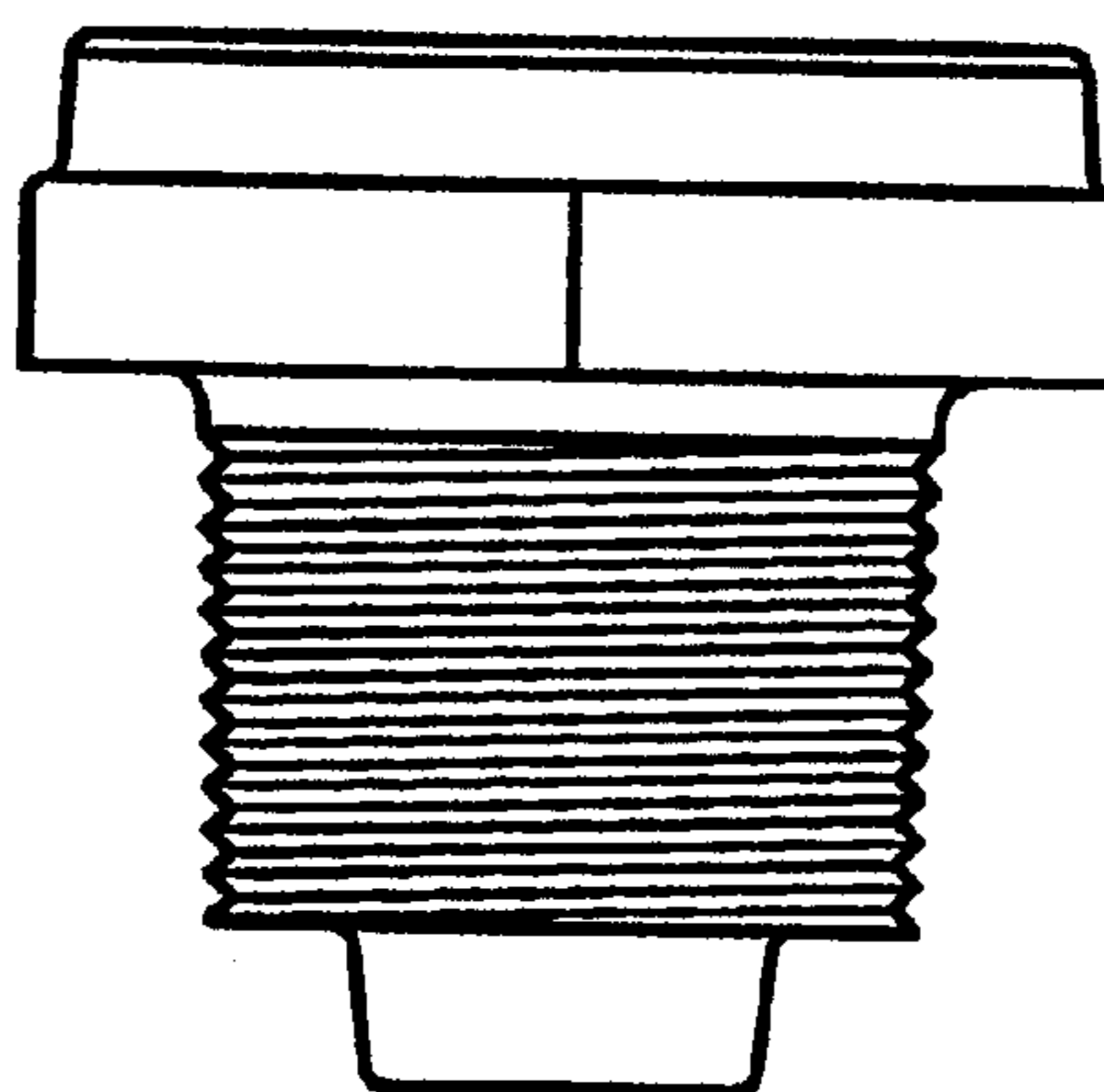


FIG 3

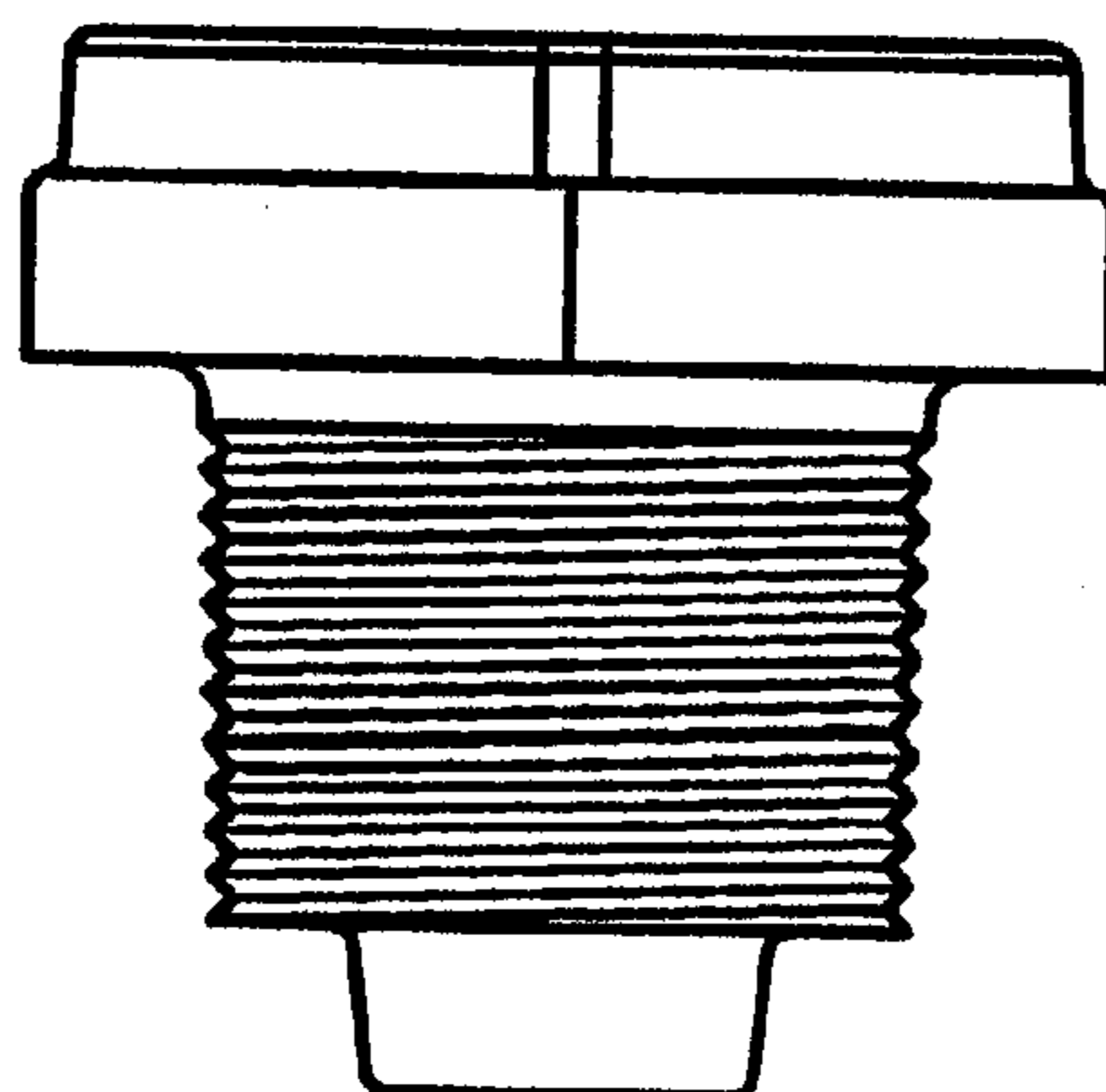


FIG 4

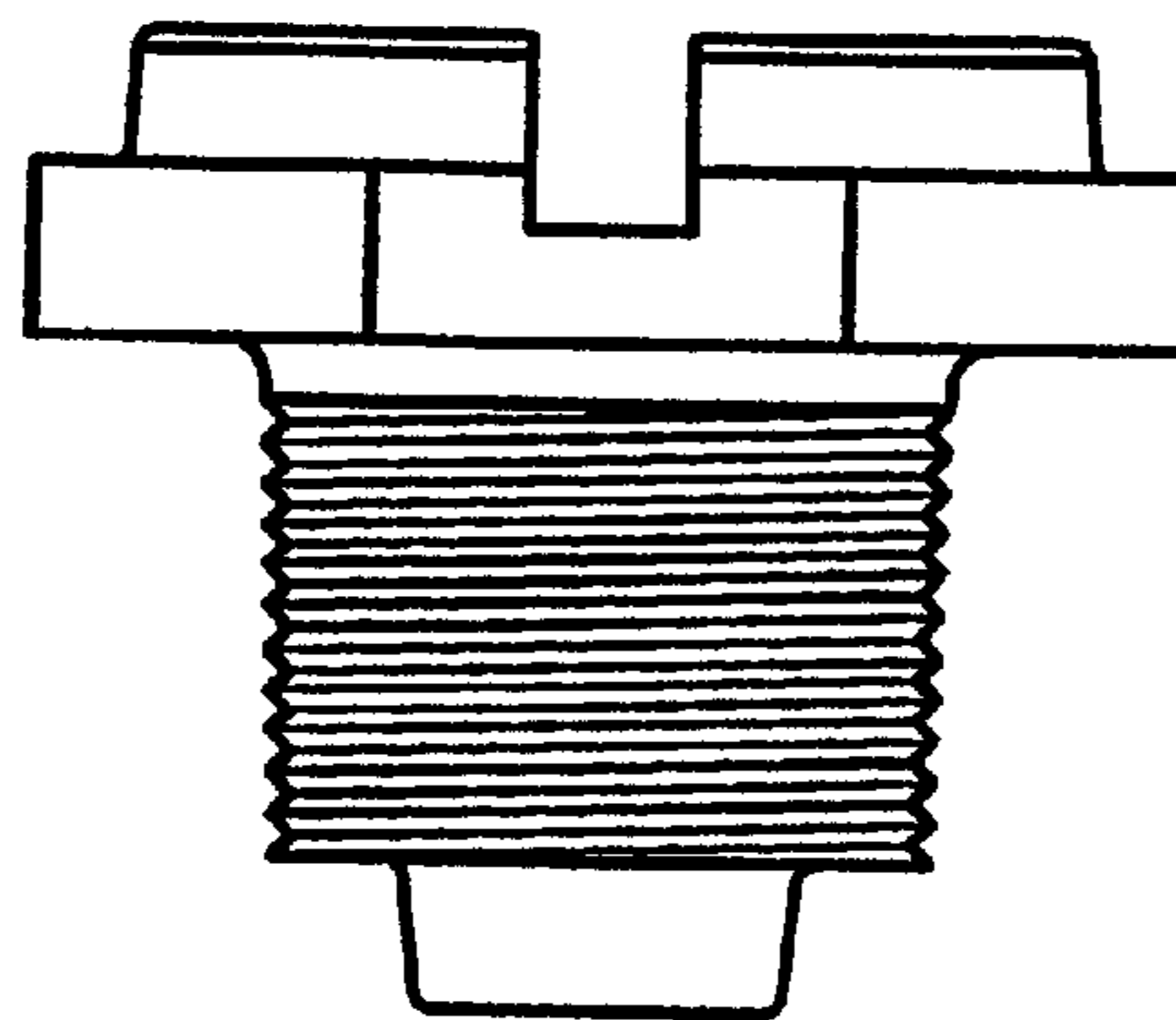


FIG 5

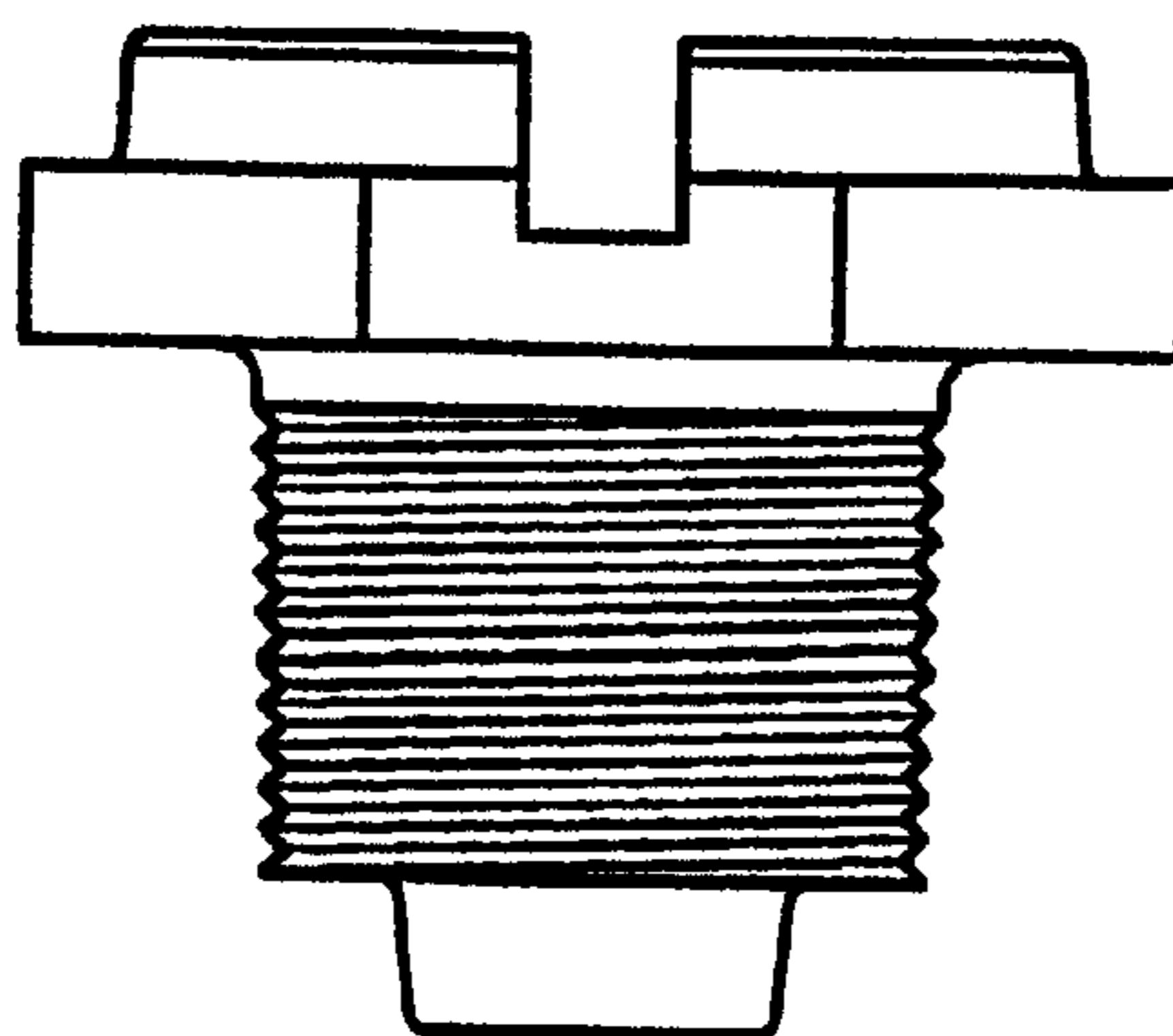


FIG 6

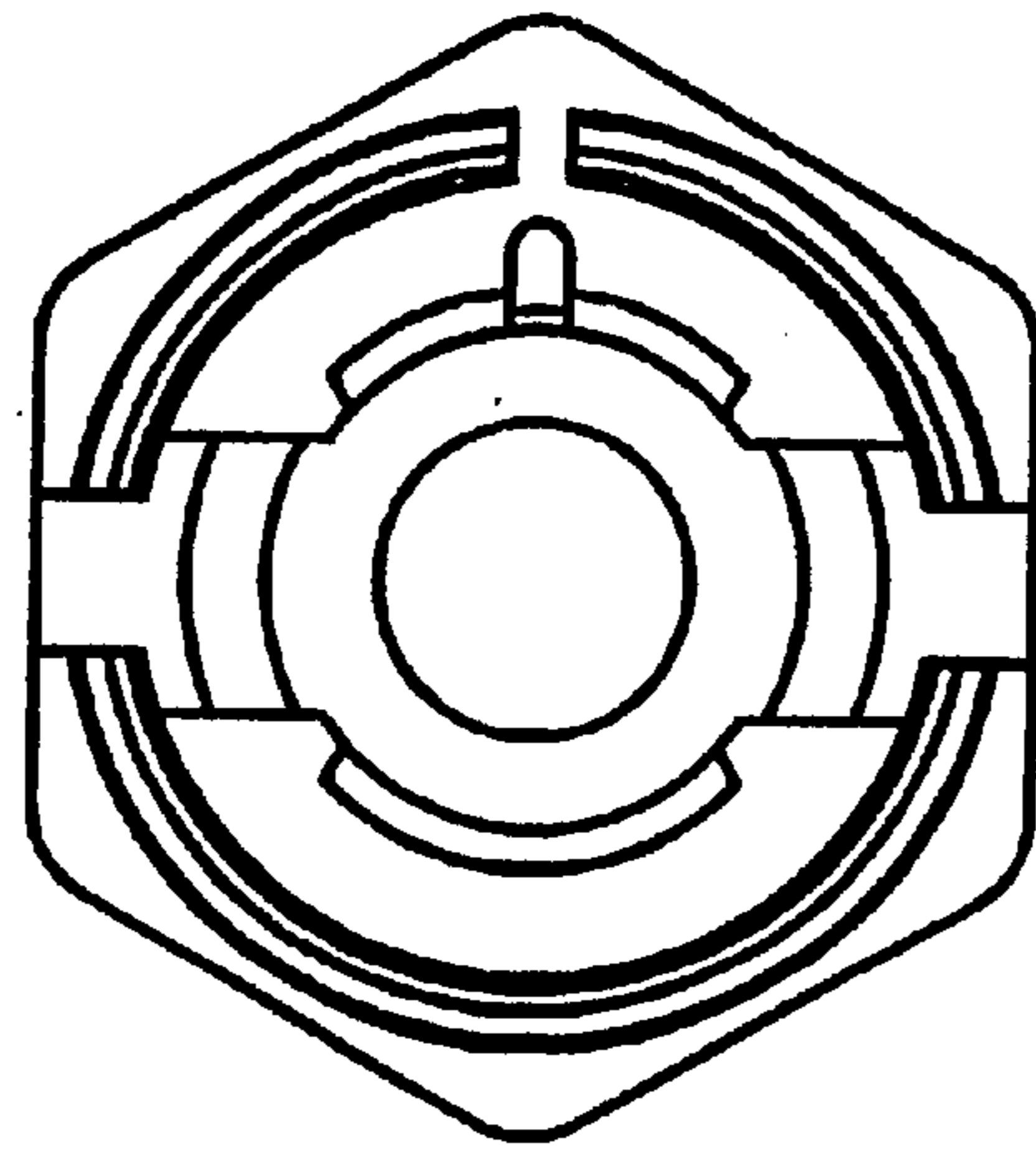


FIG 7

