



US00D519865S

(12) **United States Design Patent**  
**Wittenstein**

(10) **Patent No.:** **US D519,865 S**

(45) **Date of Patent:** **\*\* May 2, 2006**

(54) **INDICATING ELECTRONICS DEVICE**

(75) Inventor: **Manfred Wittenstein**, Bad Mergentheim (DE)

(73) Assignee: **Wittenstein AG** (DE)

(\*\*) Term: **14 Years**

(21) Appl. No.: **29/189,528**

(22) Filed: **Sep. 5, 2003**

(30) **Foreign Application Priority Data**

Apr. 5, 2003 (DE) ..... 403 02 775

(51) **LOC (8) Cl.** ..... **10-04**

(52) **U.S. Cl.** ..... **D10/75**

(58) **Field of Classification Search** ..... D10/75,  
D10/78; 345/7, 905, 98, 204; 312/140; 347/139,  
347/140; 399/108, 149, 158; 40/415, 455  
See application file for complete search history.

(56) **References Cited**

**U.S. PATENT DOCUMENTS**

D310,973 S \* 10/1990 Edwards et al. .... D10/75

\* cited by examiner

*Primary Examiner*—Antoine D. Davis

(74) *Attorney, Agent, or Firm*—Bachman & LaPointe, P.C.

(57) **CLAIM**

The ornamental design for an indicating electronics device, as shown.

**DESCRIPTION**

The patent or application file contains at least one drawing executed in color. Copies of this patent or patent application publication with color drawing(s) will be provided by the Office upon request and payment of the necessary fee.

FIG. 1 is a perspective view of an indicating electronics device in accordance with the present invention;

FIG. 2 is a front view of the indicating electronics device of FIG. 1;

FIG. 3 is a rear view of the indicating electronic device of FIG. 1;

FIG. 4 is a first side view of the indicating electronics device of FIG. 1;

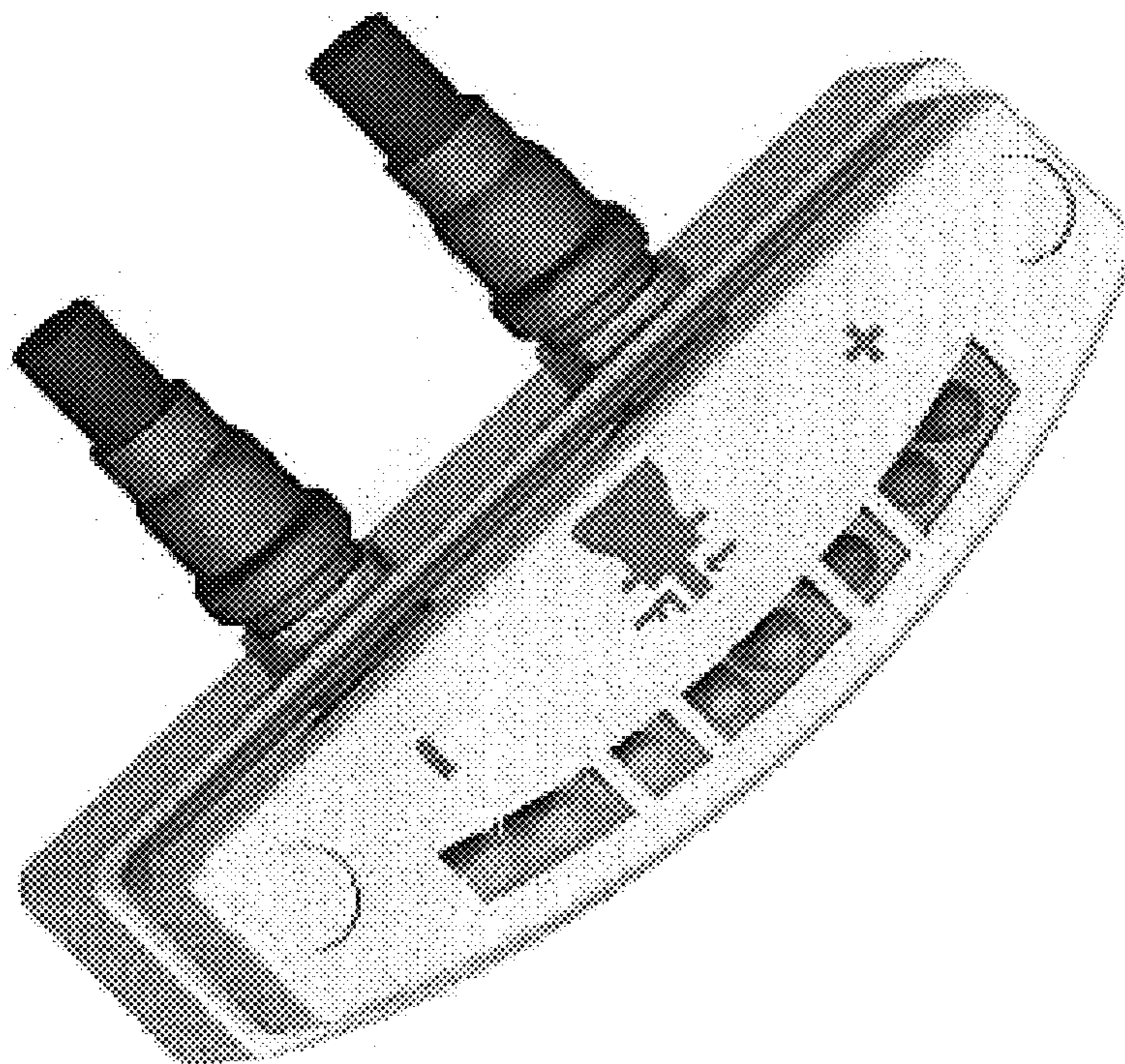
FIG. 5 is an opposite side view of the indicating electronics device of FIG. 1;

FIG. 6 is a bottom view of the indicating electronics device of FIG. 1; and,

FIG. 7 is a top view of the indicating electronics device of FIG. 1.

**1 Claim, 2 Drawing Sheets**

**(2 of 2 Drawing Sheet(s) Filed in Color)**



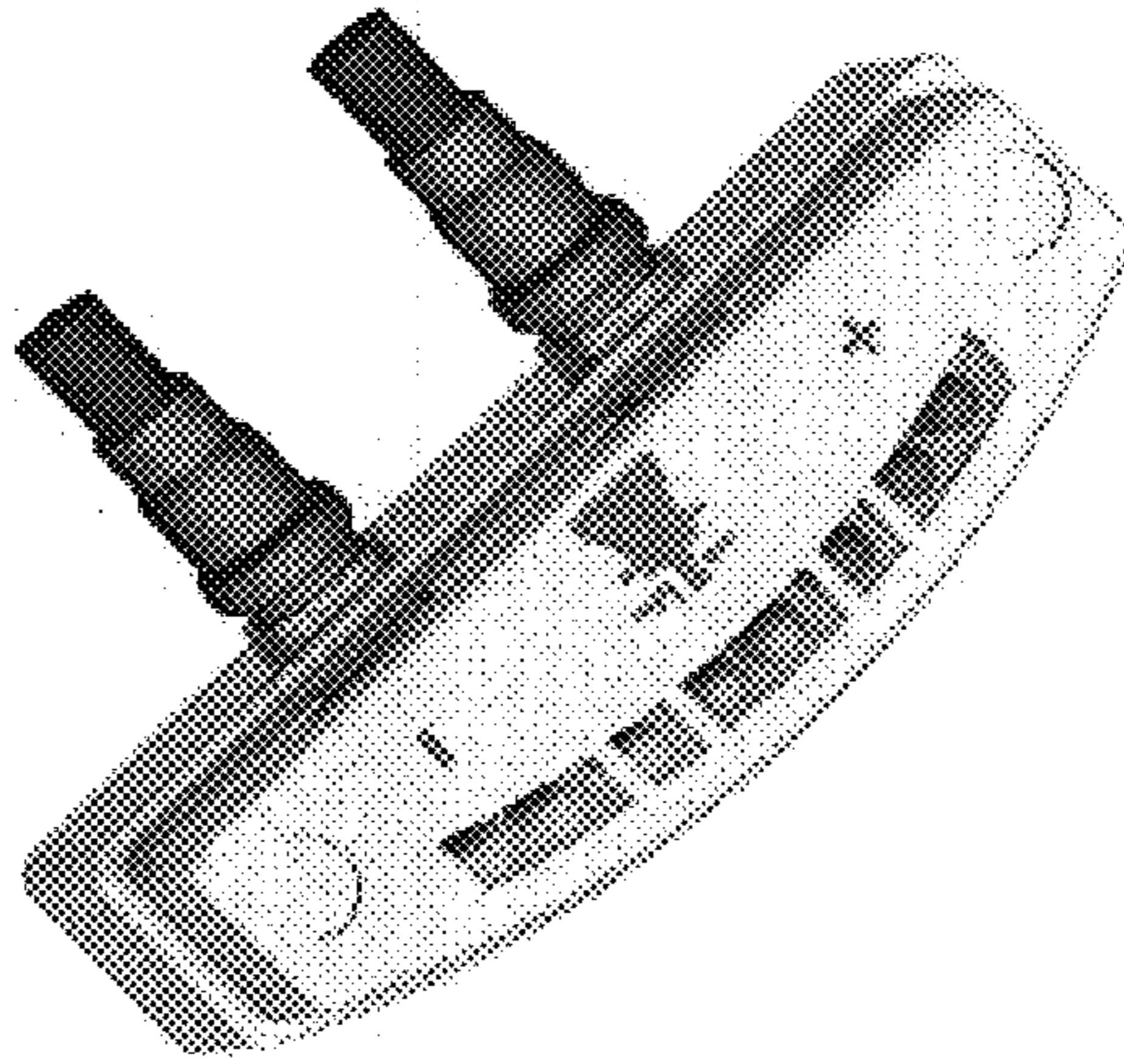


FIG. 1

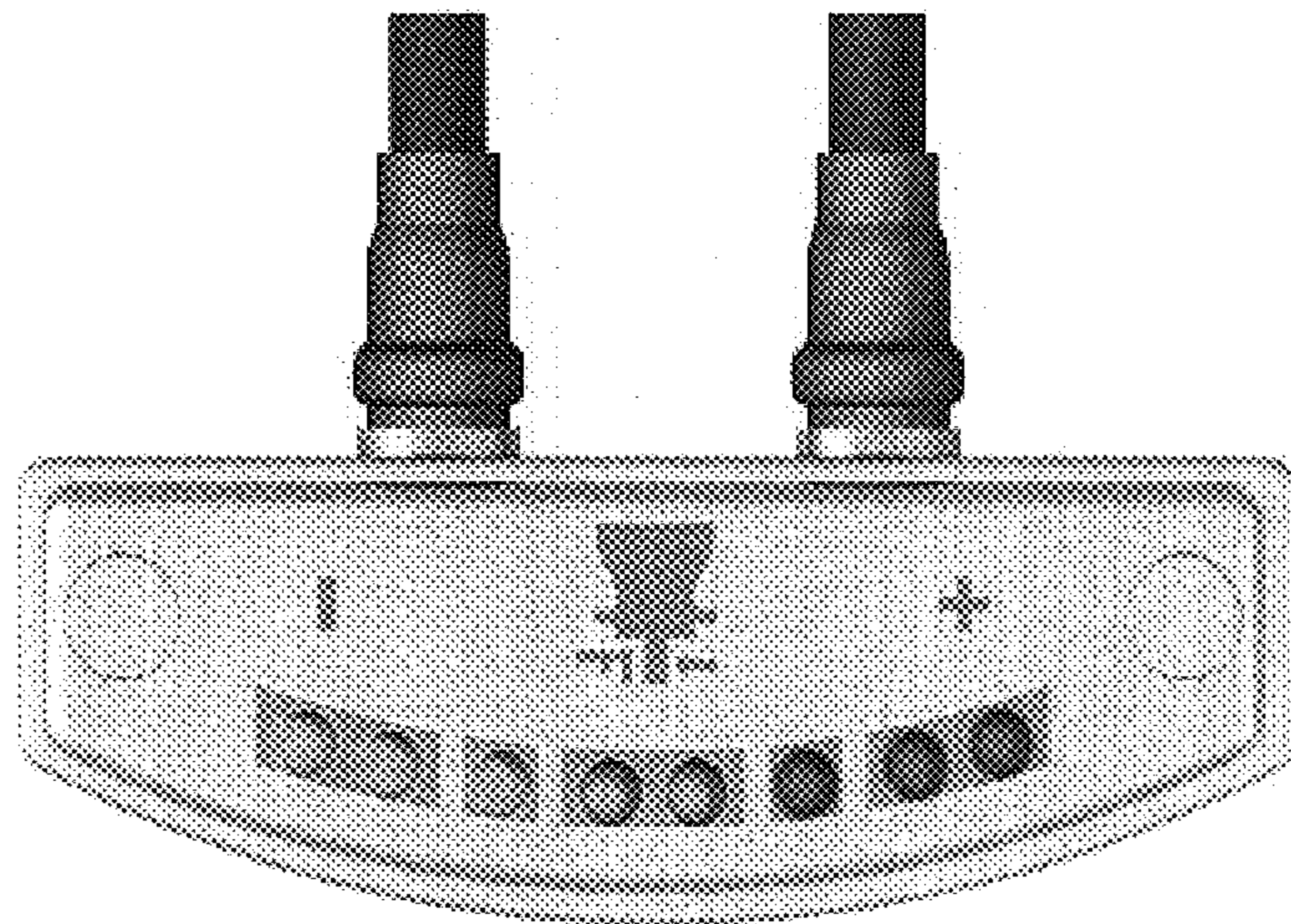


FIG. 2

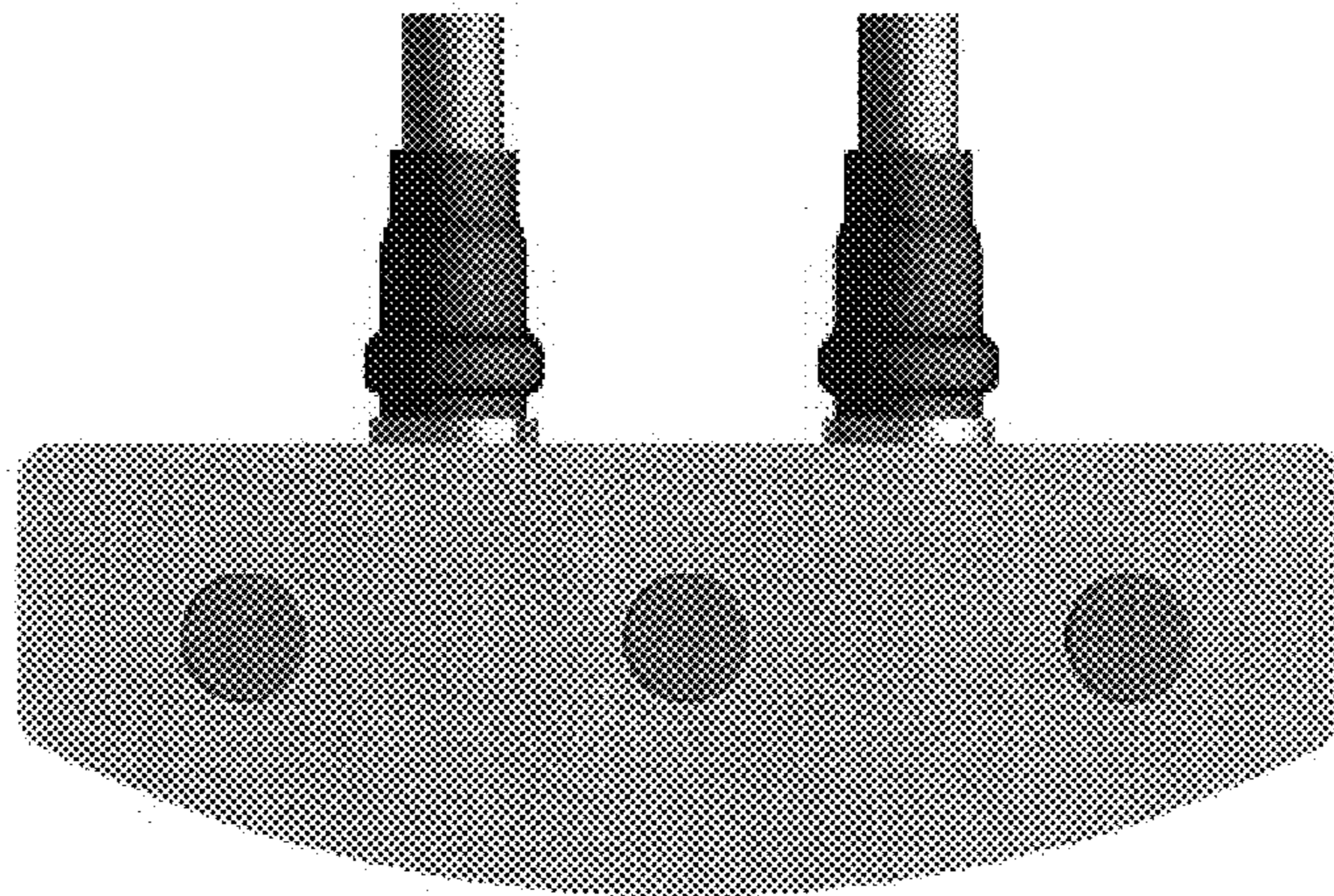


FIG. 3

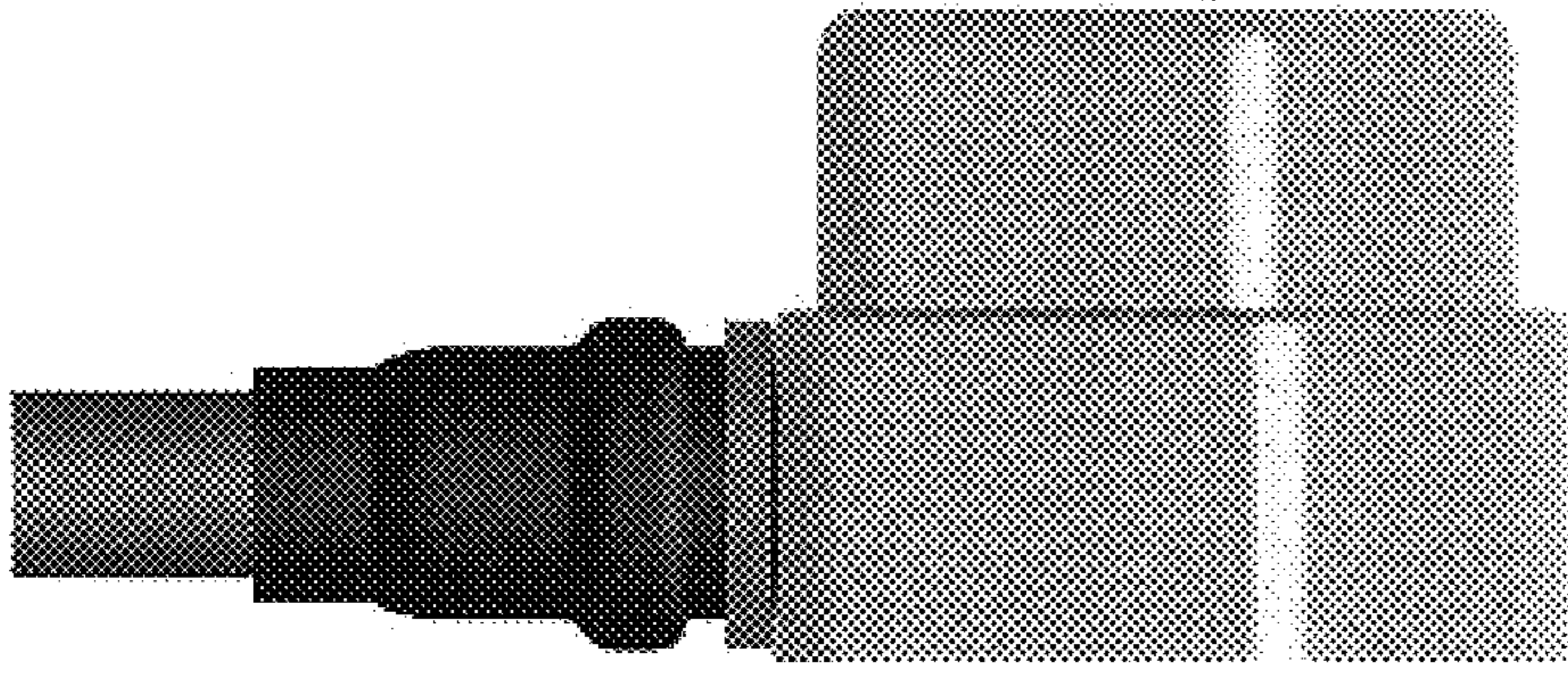


FIG. 4

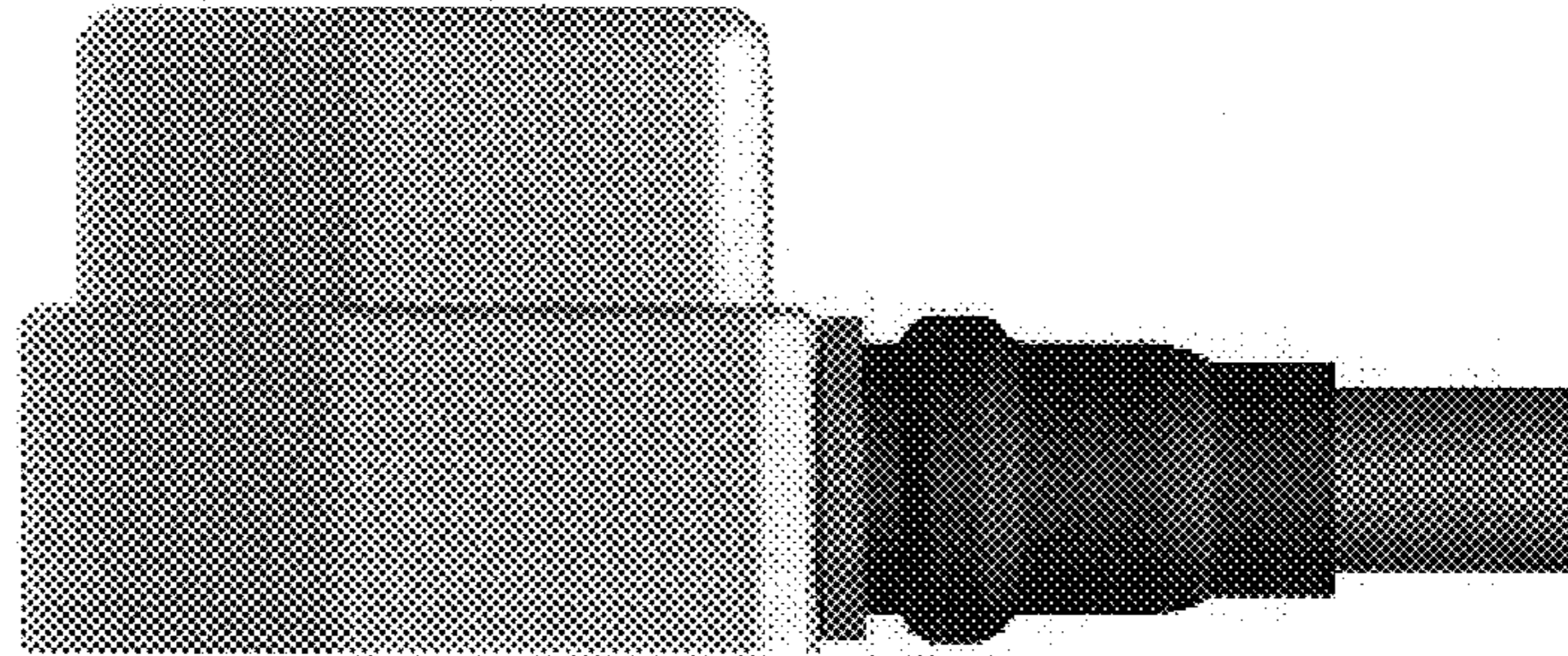


FIG. 5

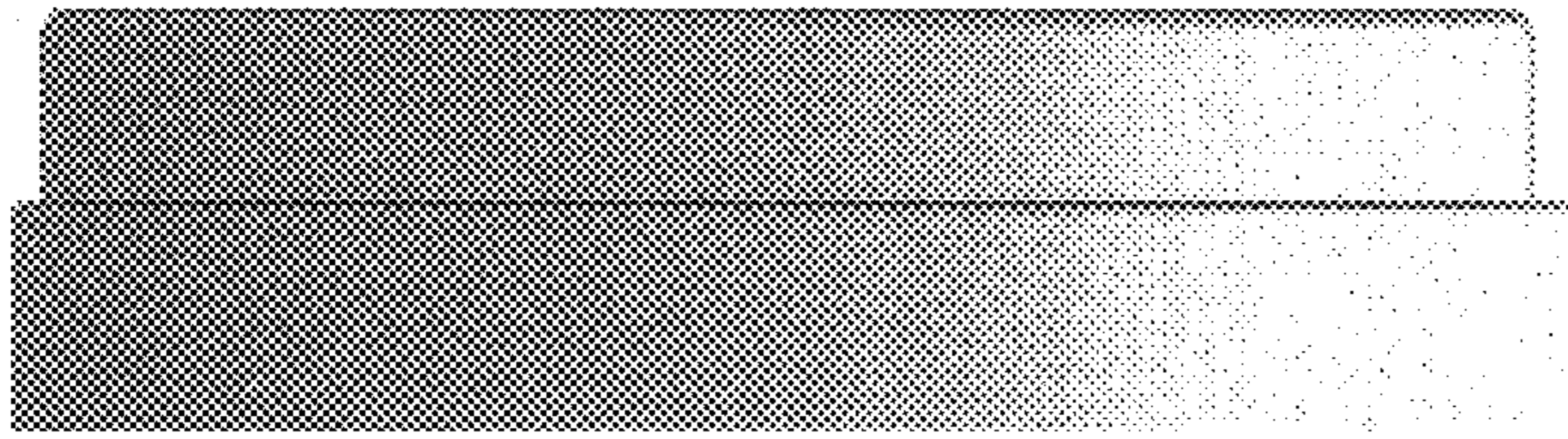


FIG. 6

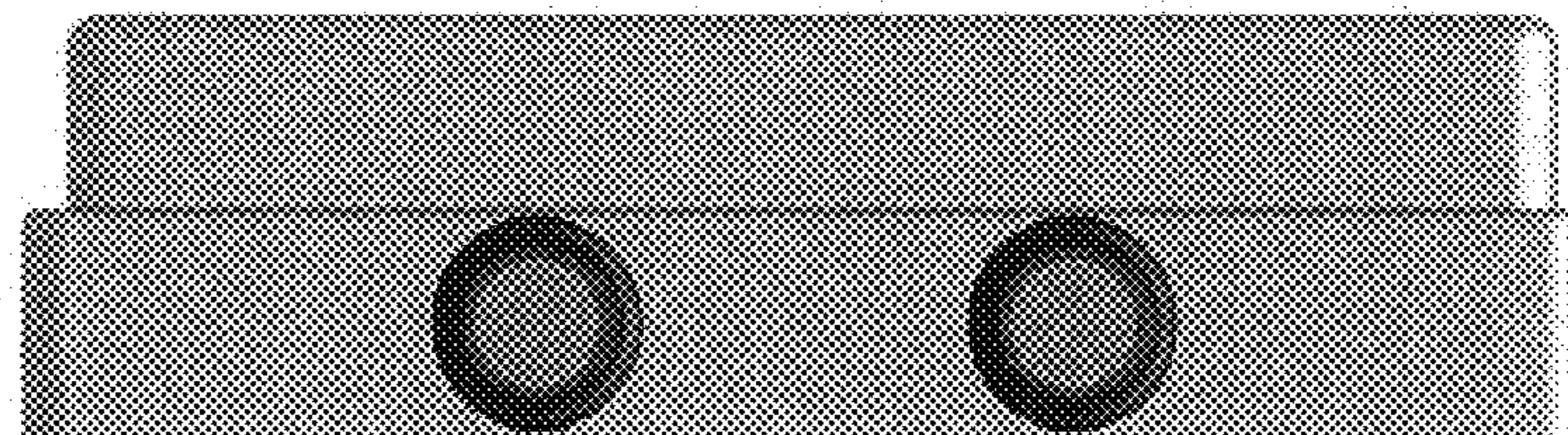


FIG. 7