



US00D519862S

(12) **United States Design Patent**
Ishii

(10) **Patent No.:** **US D519,862 S**

(45) **Date of Patent:** **** May 2, 2006**

(54) **SATELLITE SURVEYING RECEIVER**

6,946,978 B1 * 9/2005 Schofield 701/214

(75) Inventor: **Mitsuo Ishii**, Itabashi-ku (JP)

* cited by examiner

(73) Assignee: **Kabushiki Kaisha Topcon**, Tokyo (JP)

Primary Examiner—Antoine D. Davis

(**) Term: **14 Years**

(74) *Attorney, Agent, or Firm*—Jacobson Holman PLLC

(21) Appl. No.: **29/211,021**

(57) **CLAIM**

(22) Filed: **Aug. 11, 2004**

The ornamental design for a satellite surveying receiver, as shown and described.

(30) **Foreign Application Priority Data**

DESCRIPTION

Feb. 16, 2004 (JP) 2004-003939

(51) **LOC (8) Cl.** **10-04**

(52) **U.S. Cl.** **D10/65**

(58) **Field of Classification Search** D10/66,
D10/69, 65; 342/357.06–357.09, 357.01,
342/357.11–357.14; 701/216

See application file for complete search history.

FIG. 1 is a perspective view from above right of the receiver according to our novel design;

FIG. 2 is a front view of the receiver of FIG. 1;

FIG. 3 is a rear view of the receiver of FIG. 1;

FIG. 4 is a left side view of the receiver of FIG. 1;

FIG. 5 is a right side view of the receiver of FIG. 1;

FIG. 6 is a plan view of the receiver of FIG. 1; and,

FIG. 7 is a bottom view of the receiver of FIG. 1.

(56) **References Cited**

U.S. PATENT DOCUMENTS

D494,878 S * 8/2004 Laverick et al. D10/74

1 Claim, 4 Drawing Sheets

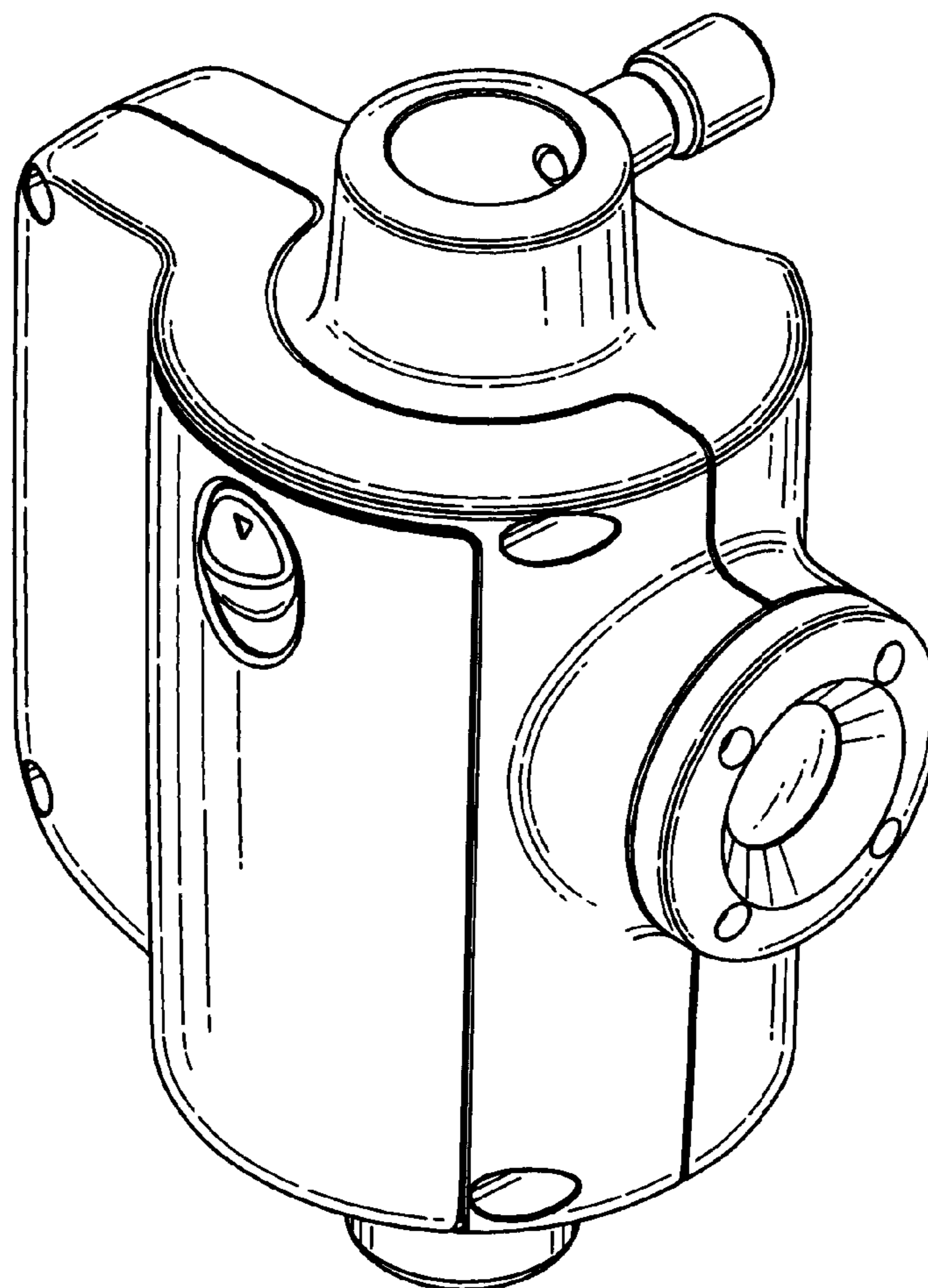


FIG. 1

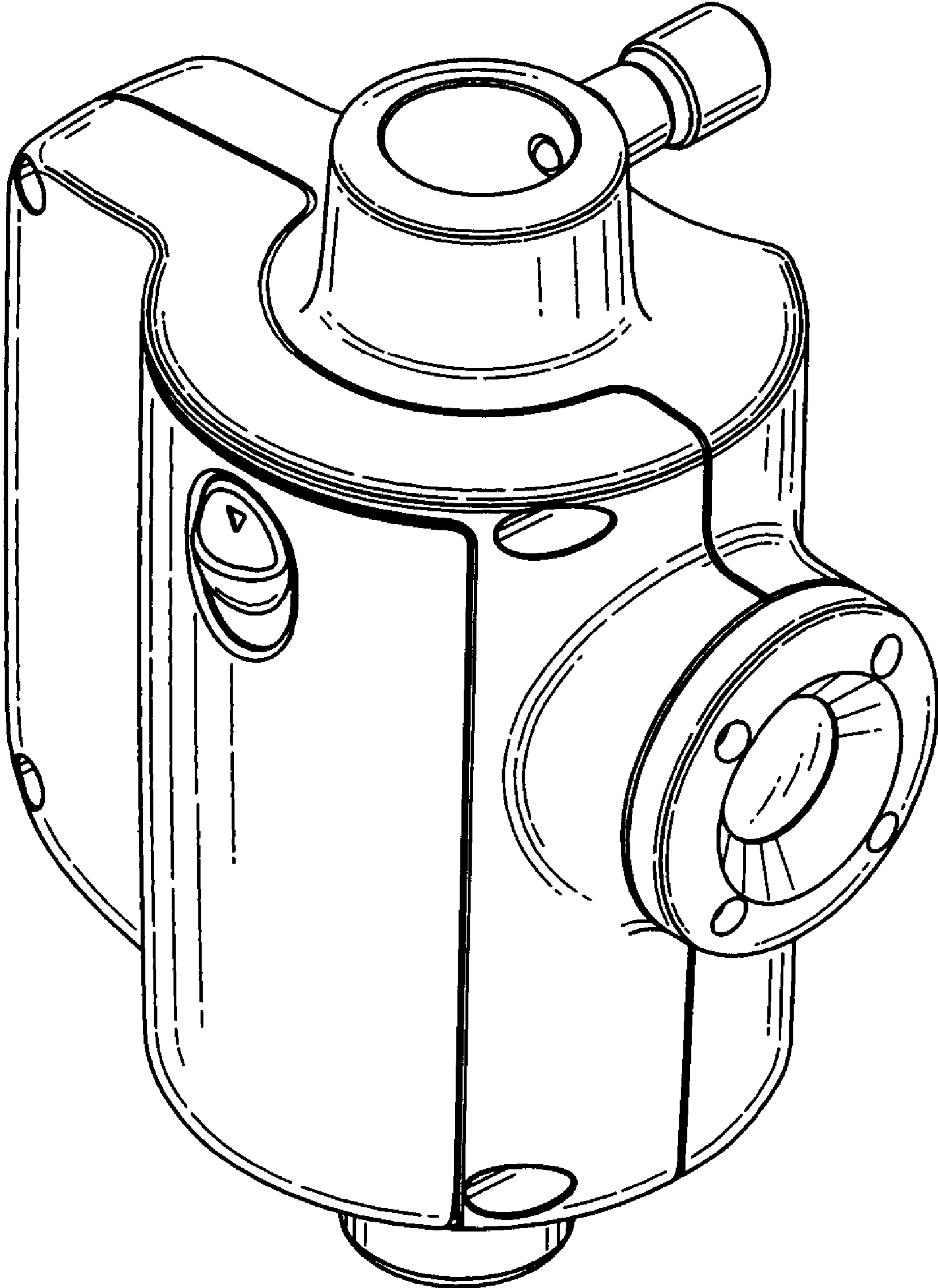


FIG. 2

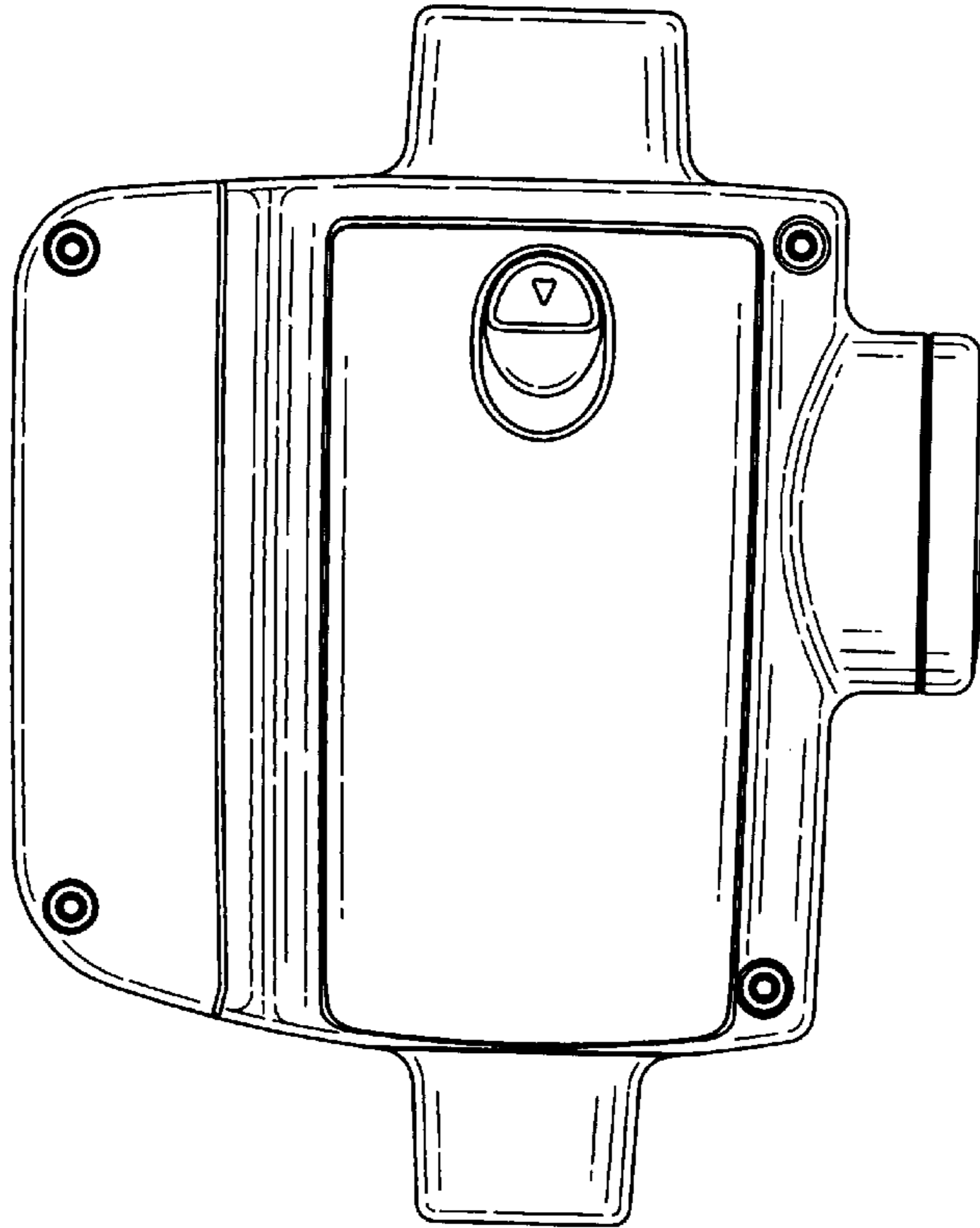


FIG. 3

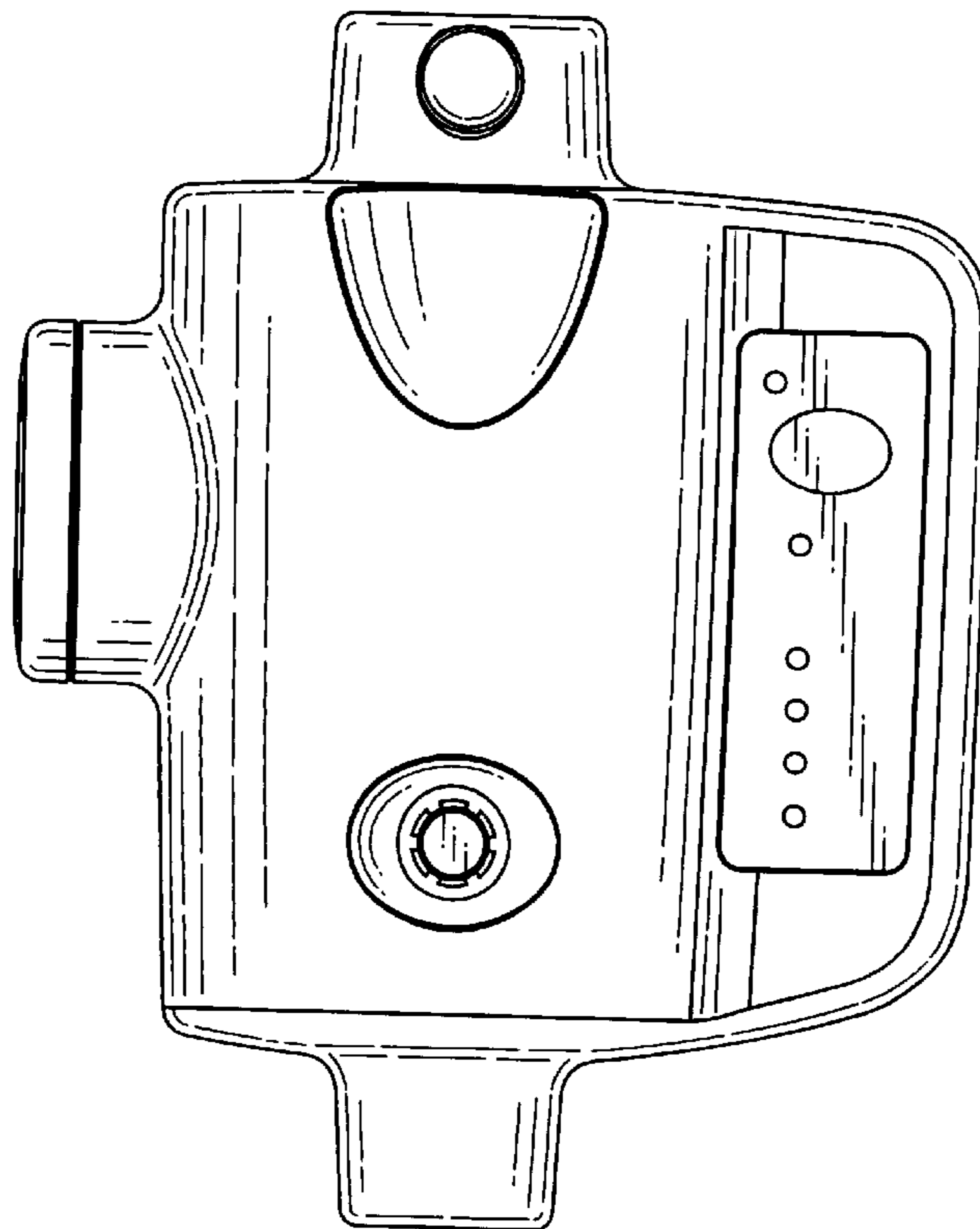


FIG. 4

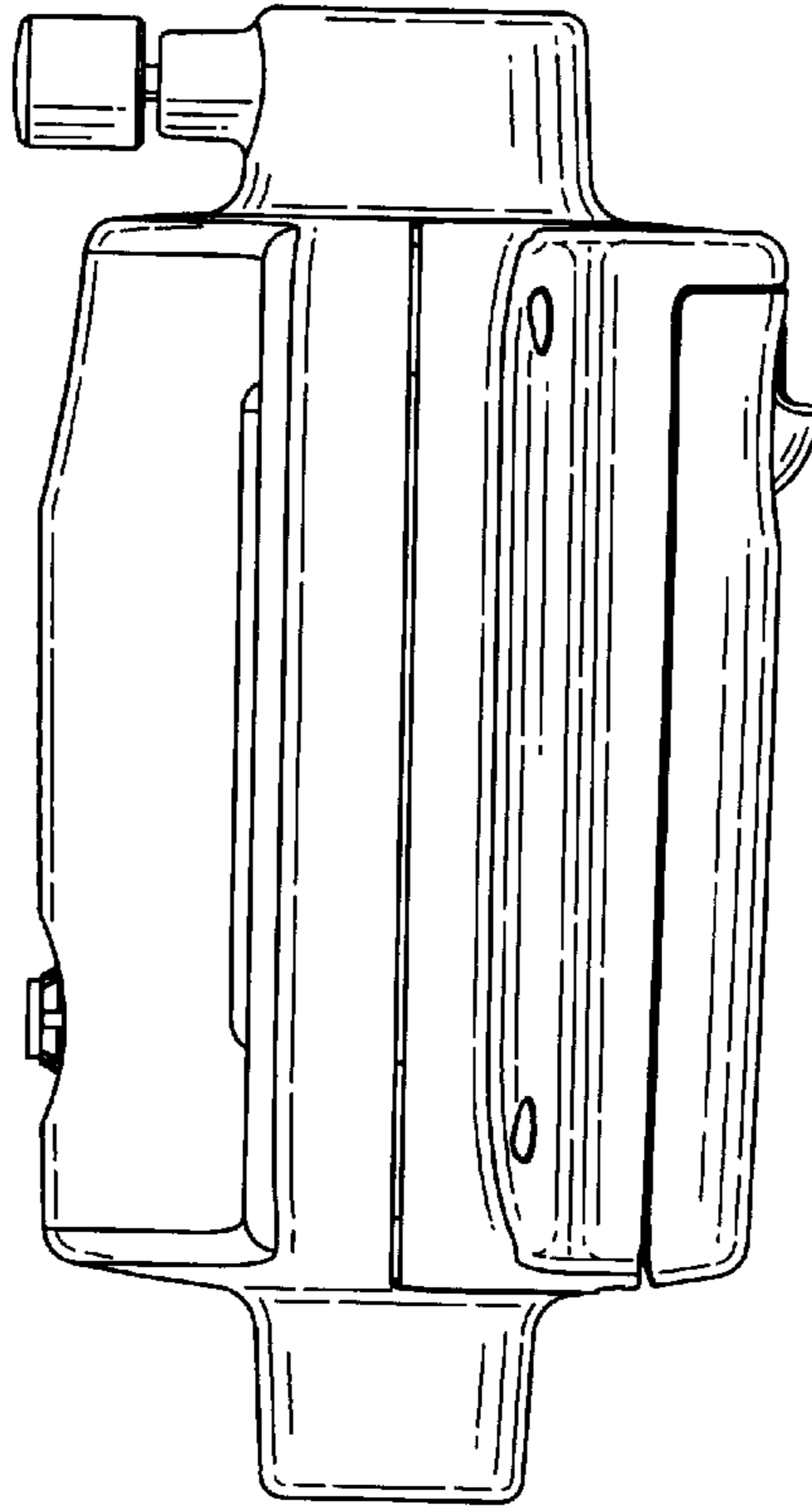


FIG. 5

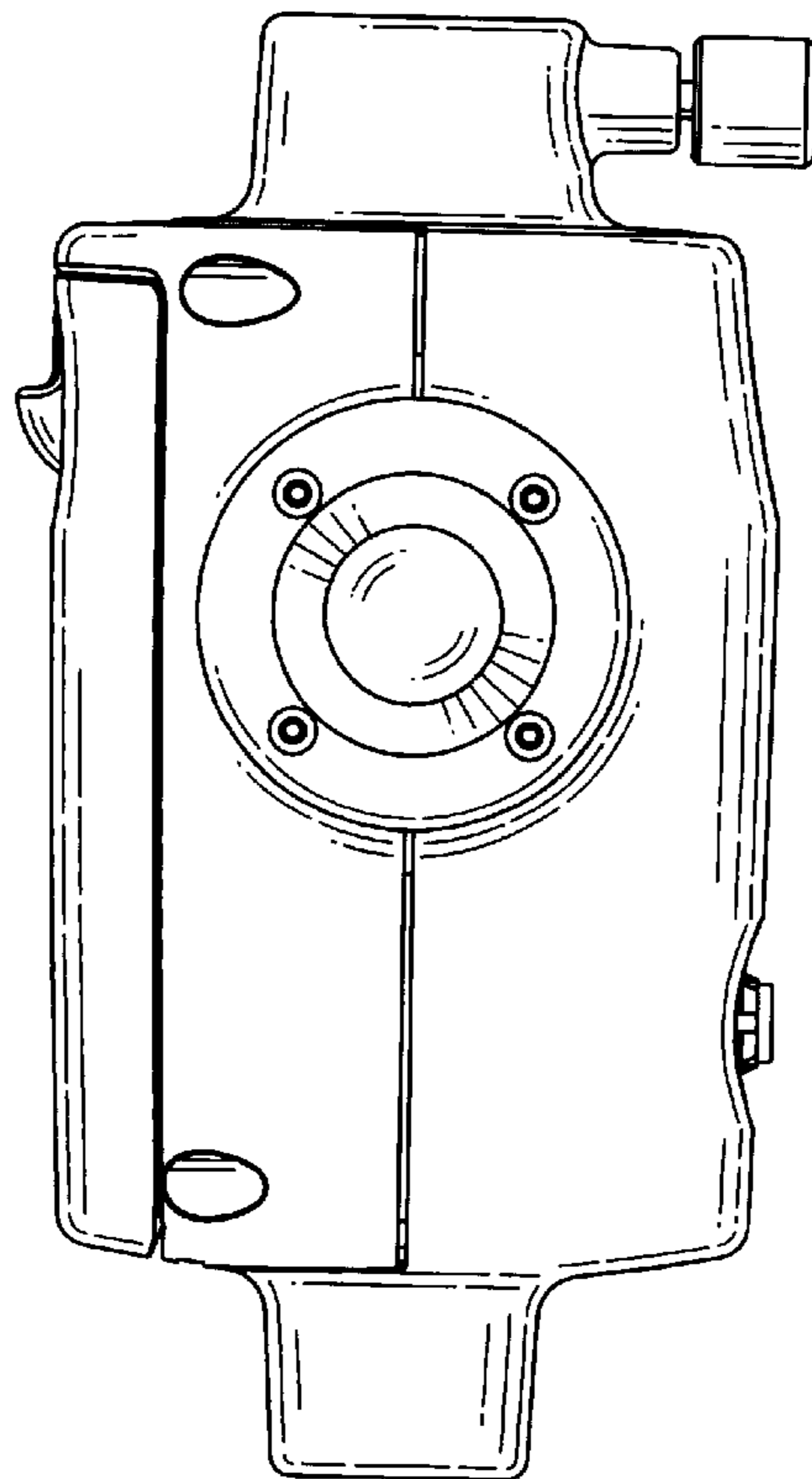


FIG. 6

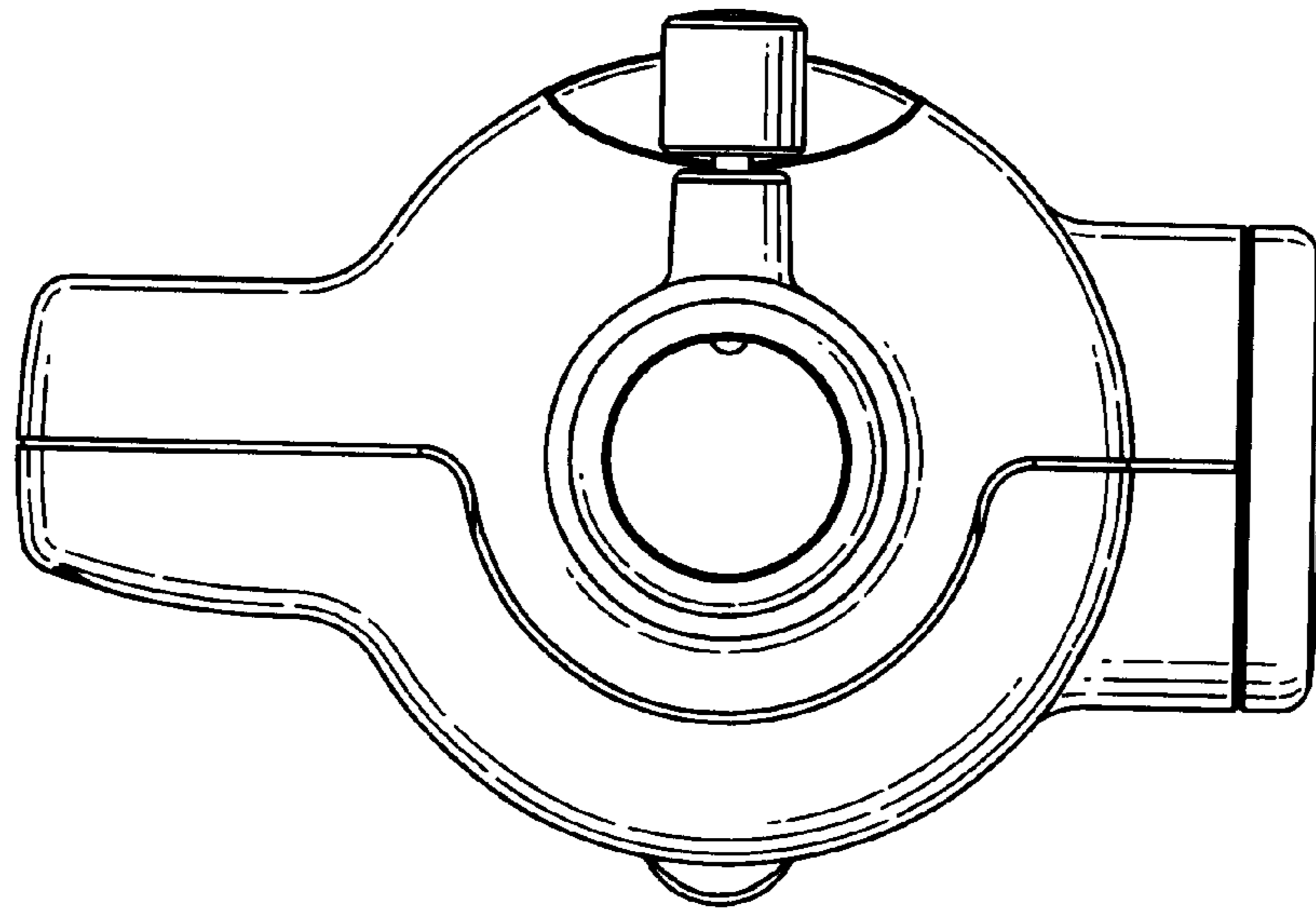


FIG. 7

