



US00D519857S

(12) **United States Design Patent**
Oas

(10) **Patent No.:** **US D519,857 S**

(45) **Date of Patent:** **** May 2, 2006**

(54) **WATCH**

(75) **Inventor:** **Daniel Oas**, Irwindale, CA (US)

(73) **Assignee:** **Calibre International, LLC**, Irwindale, CA (US)

(**) **Term:** **14 Years**

(21) **Appl. No.:** **29/229,730**

(22) **Filed:** **May 10, 2005**

(51) **LOC (8) Cl.** **10-02**

(52) **U.S. Cl.** **D10/38**

(58) **Field of Classification Search** D10/30-39,
D10/122-132; 368/276-278, 281-283, 285,
368/286, 294, 295, 82-84, 28-30, 37, 21,
368/239-242, 223, 228, 232, 80, 110, 113
See application file for complete search history.

(56) **References Cited**

U.S. PATENT DOCUMENTS

- D360,589 S * 7/1995 Houlihan D10/30
- D371,307 S * 7/1996 Tomita et al. D10/38
- D378,356 S * 3/1997 Kin D10/32
- D386,694 S * 11/1997 Houlihan D10/30
- D411,957 S * 7/1999 Ramos D10/30

- D443,832 S * 6/2001 Streltsov D10/30
- D451,825 S * 12/2001 Hanagata D10/30
- D456,721 S * 5/2002 Yamamoto D10/30
- D458,152 S * 6/2002 Kojima D10/30
- D459,237 S * 6/2002 Hasegawa D10/30
- D459,663 S * 7/2002 Miyake D10/31
- 6,435,709 B1 * 8/2002 Hirano et al. 368/281

* cited by examiner

Primary Examiner—Lucy Lieberman

(74) *Attorney, Agent, or Firm*—The Soni Law Firm

(57) **CLAIM**

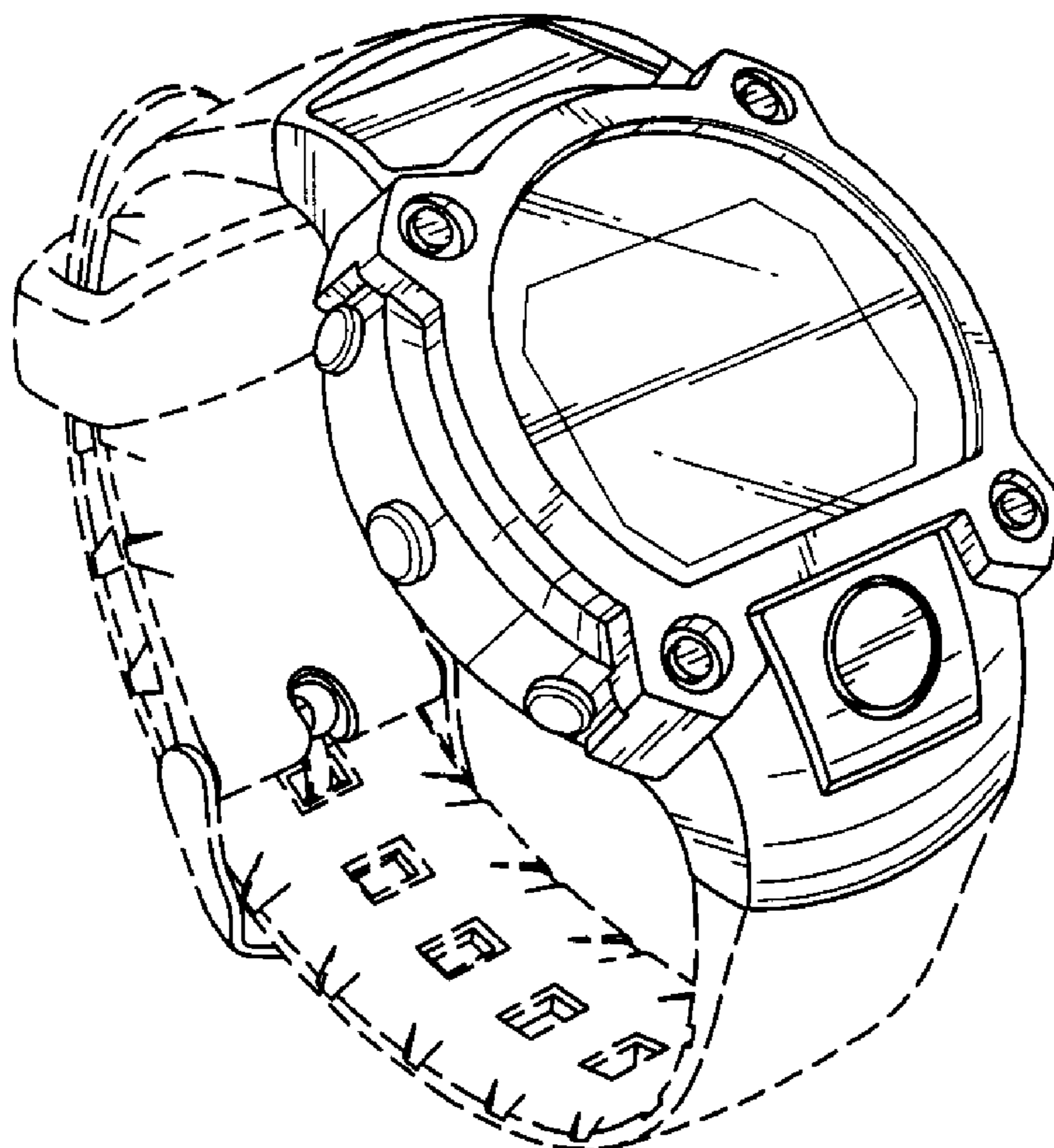
The ornamental design for a watch, as shown and described.

DESCRIPTION

FIG. 1 is a front perspective view of a watch;
 FIG. 2 is a front view of the watch of FIG. 1;
 FIG. 3 is a top plan view of the watch of FIG. 1;
 FIG. 4 is a bottom plan view of the watch of FIG. 1;
 FIG. 5 is a right side view of the watch of FIG. 1;
 FIG. 6 is a left side view of the watch of FIG. 1; and,
 FIG. 7 is a rear view of the watch of FIG. 1.

The broken lines showing the wristband are for illustrative purposes only and form no part of the claimed design.

1 Claim, 3 Drawing Sheets



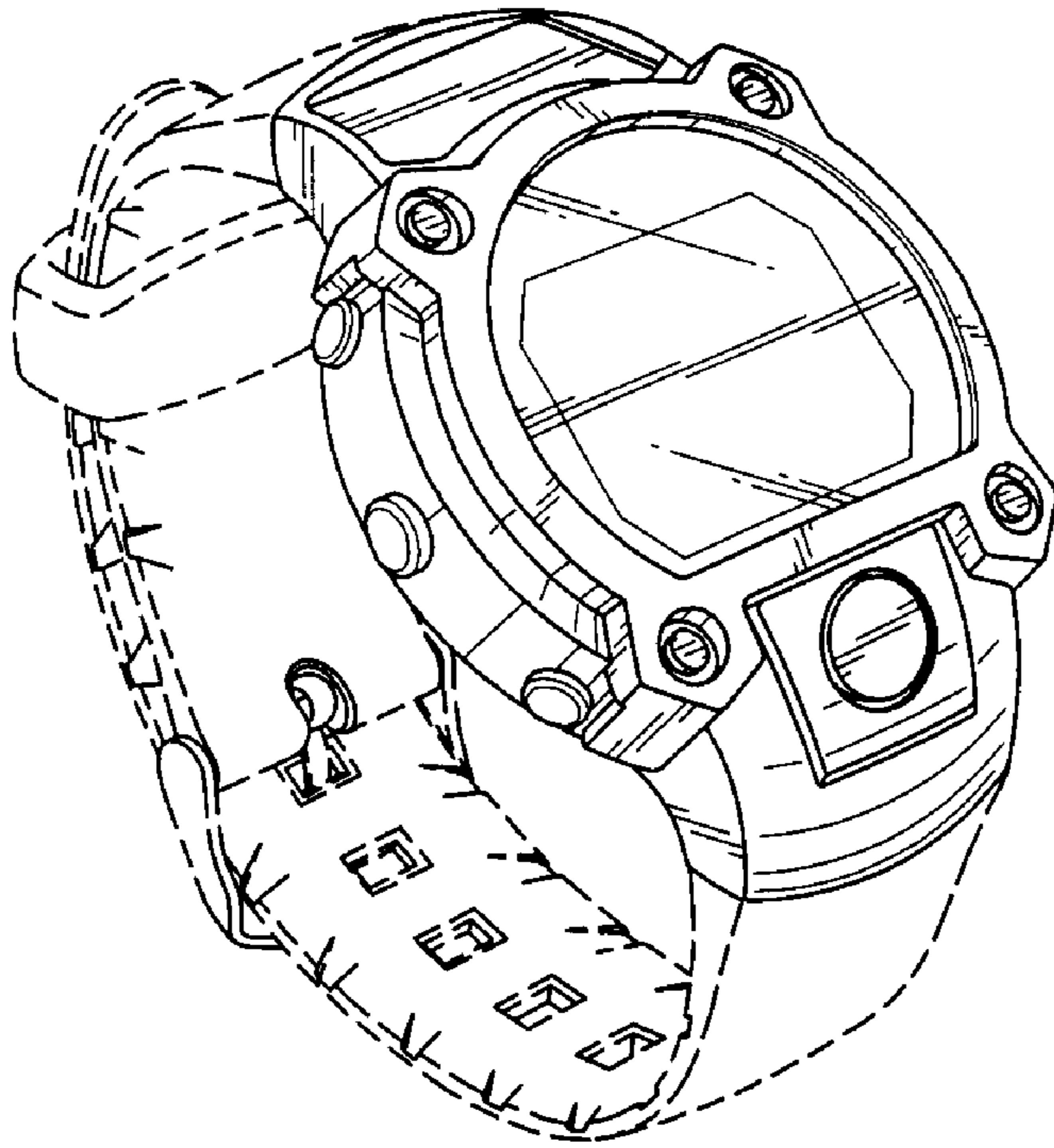


FIG. 1

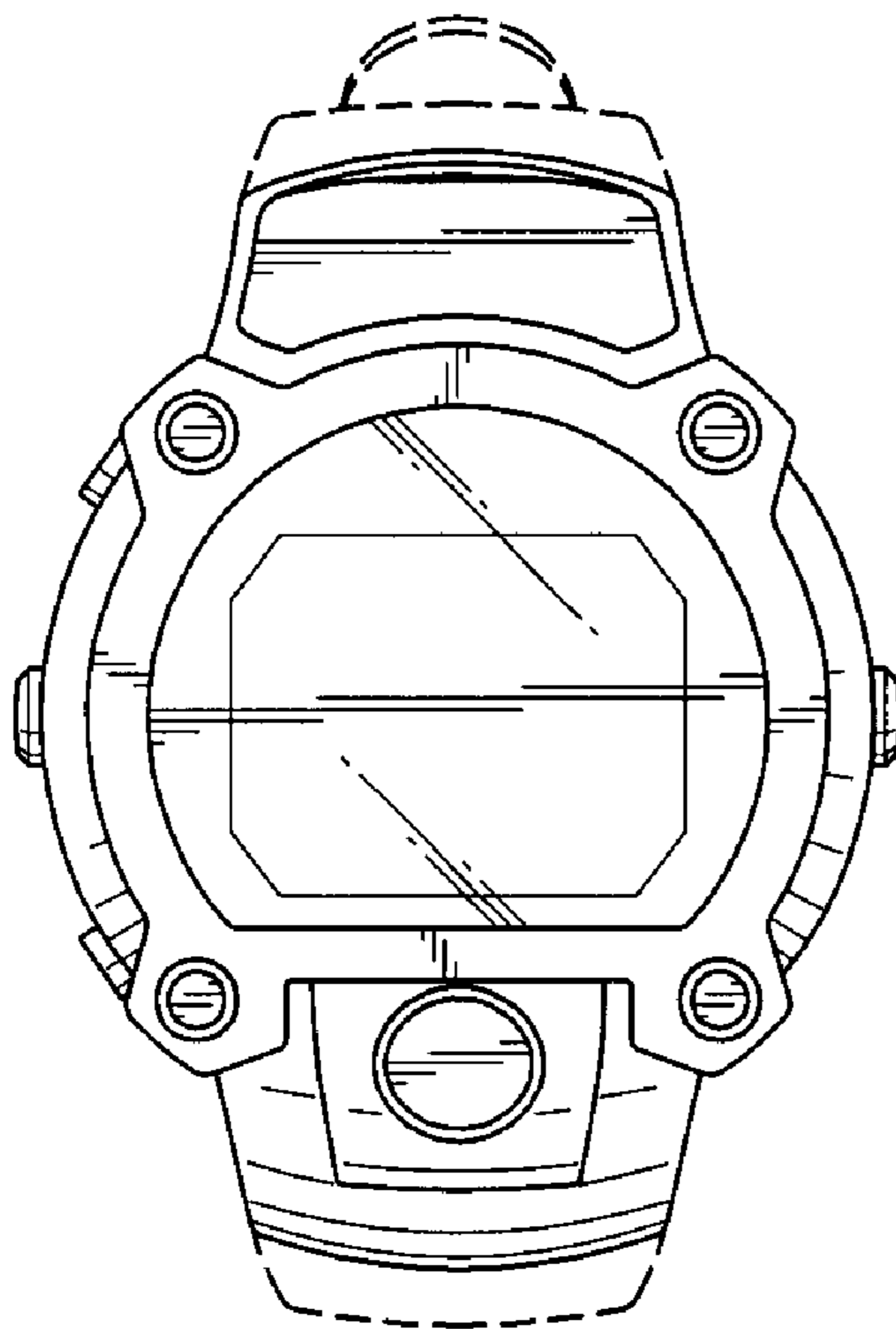


FIG. 2

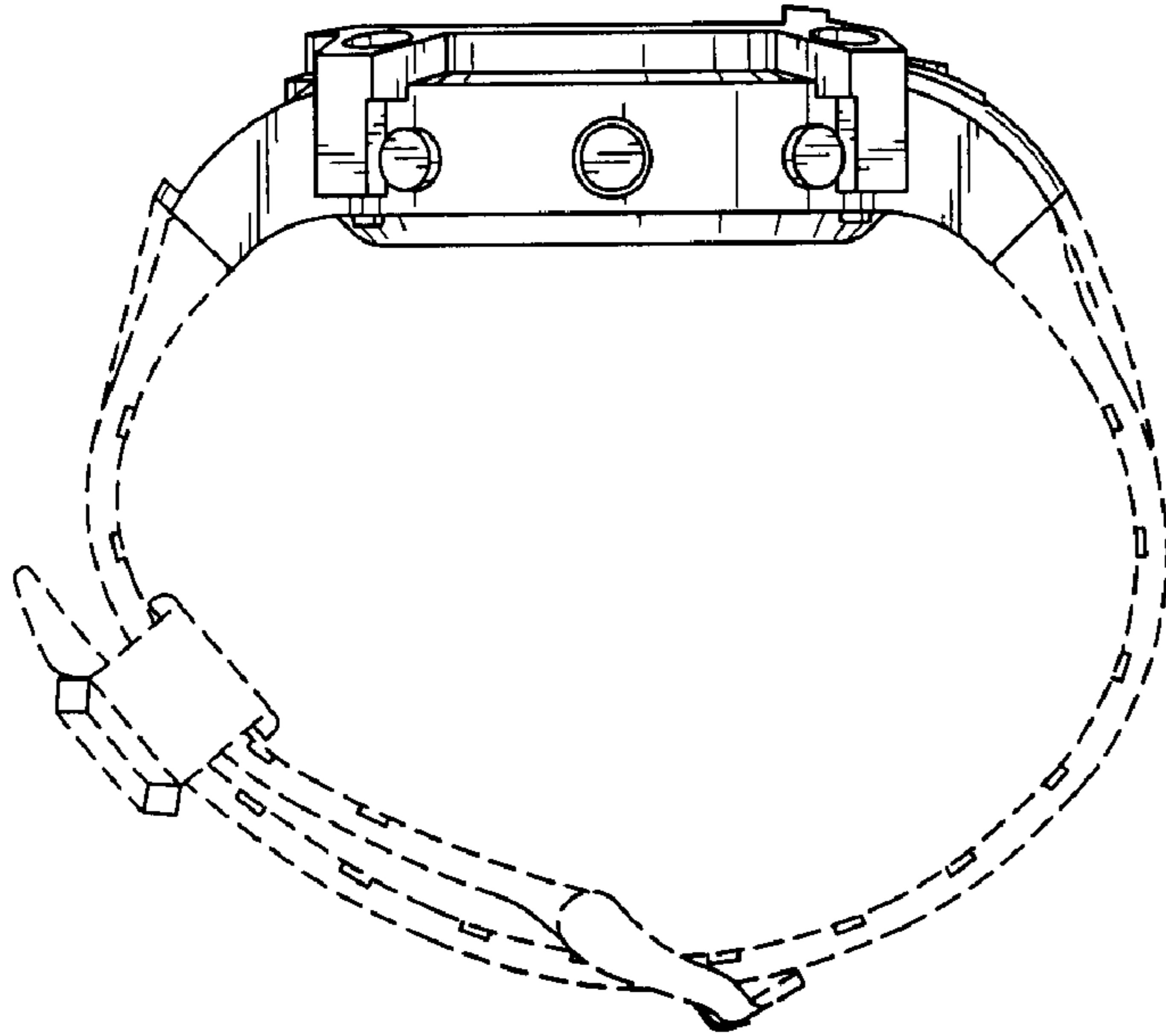


FIG. 3

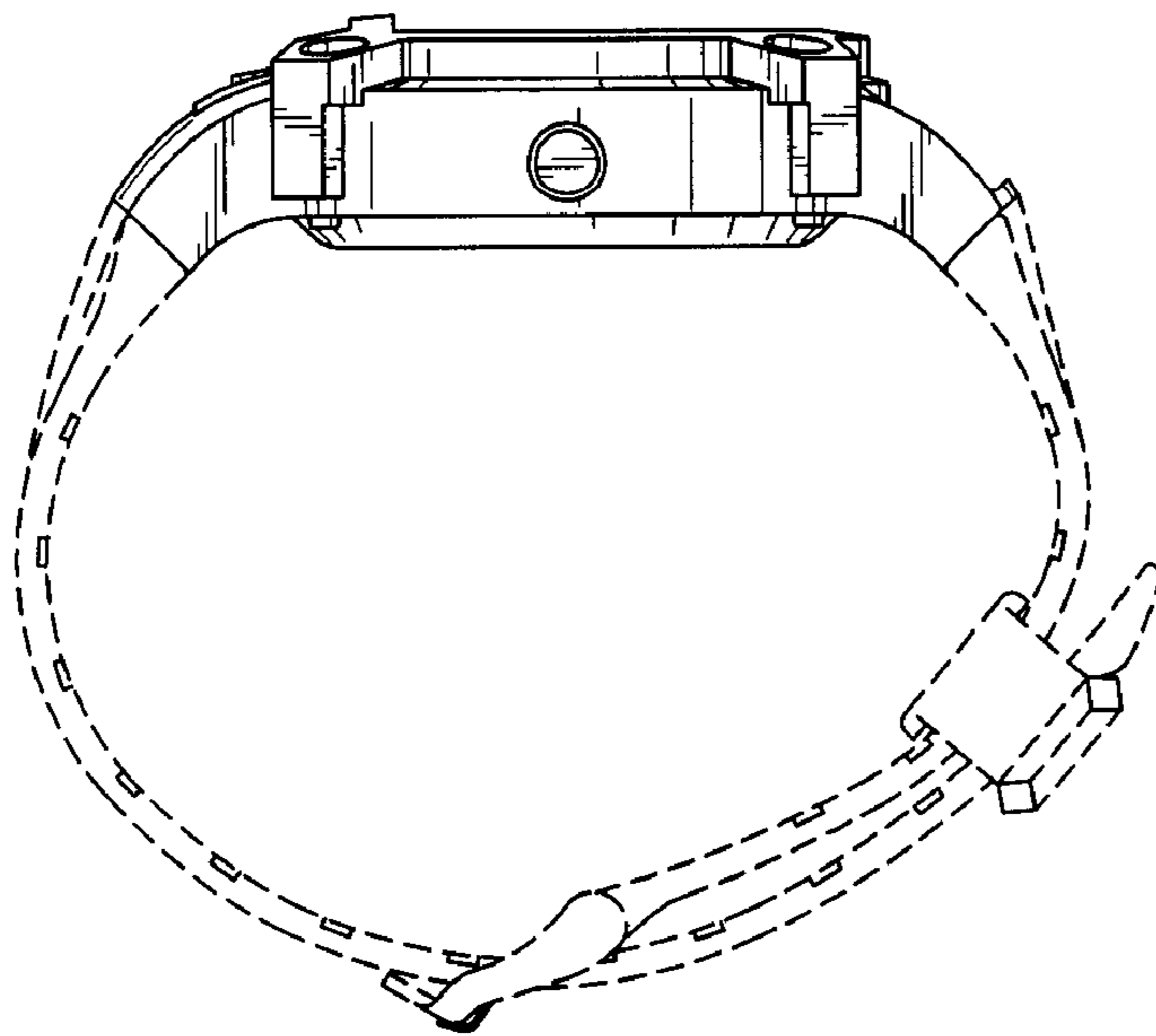


FIG. 4

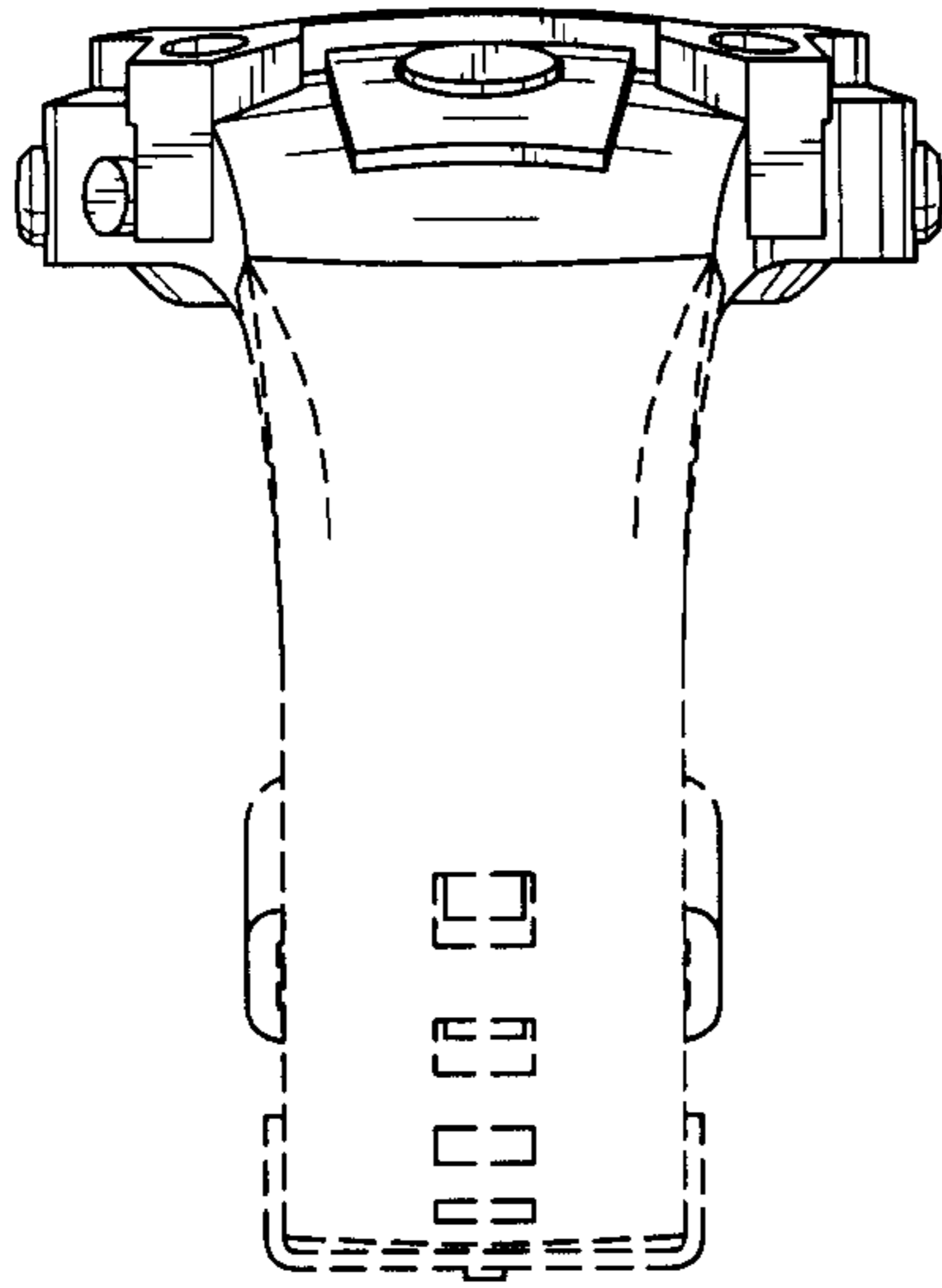


FIG. 5

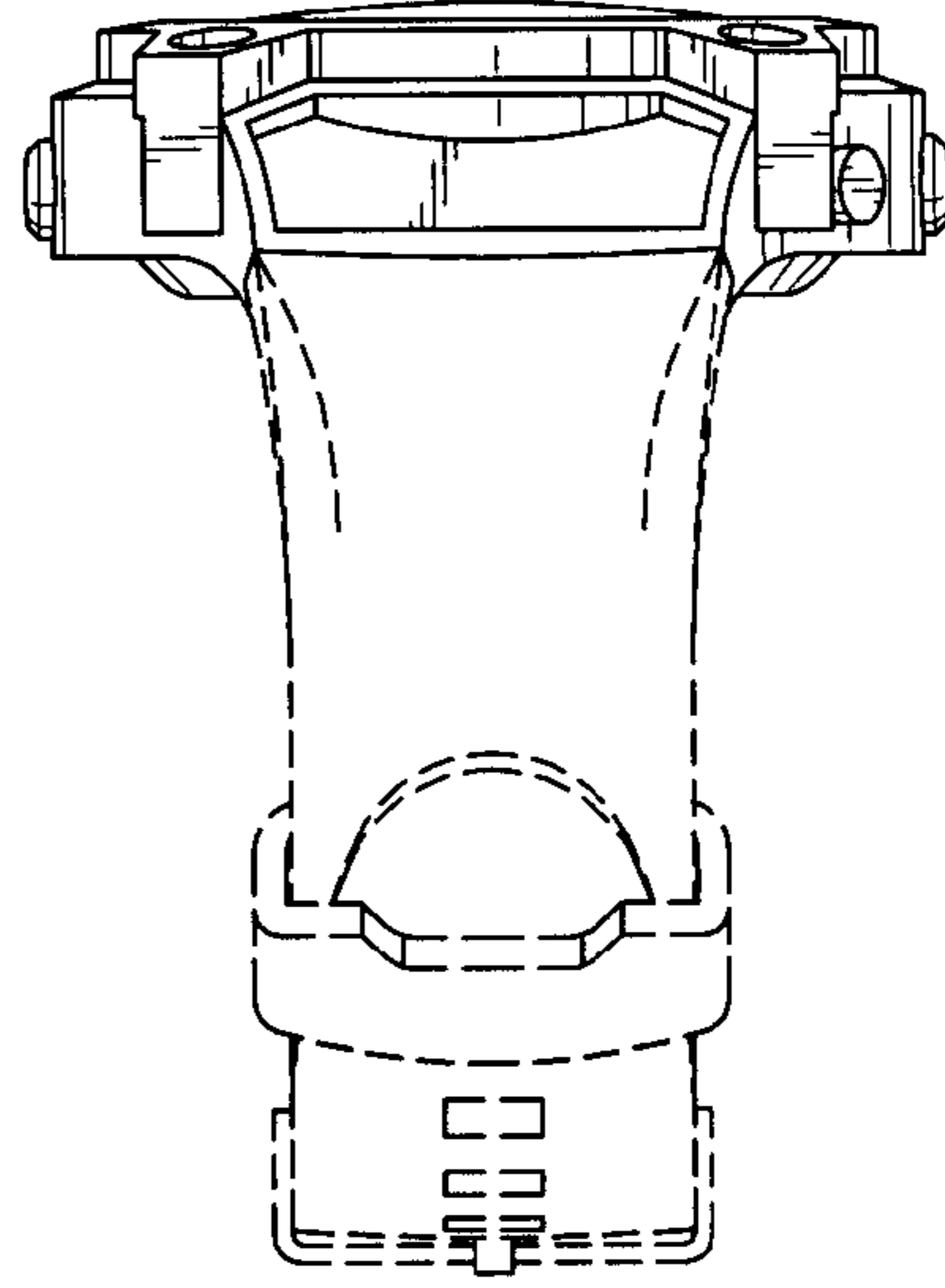


FIG. 6

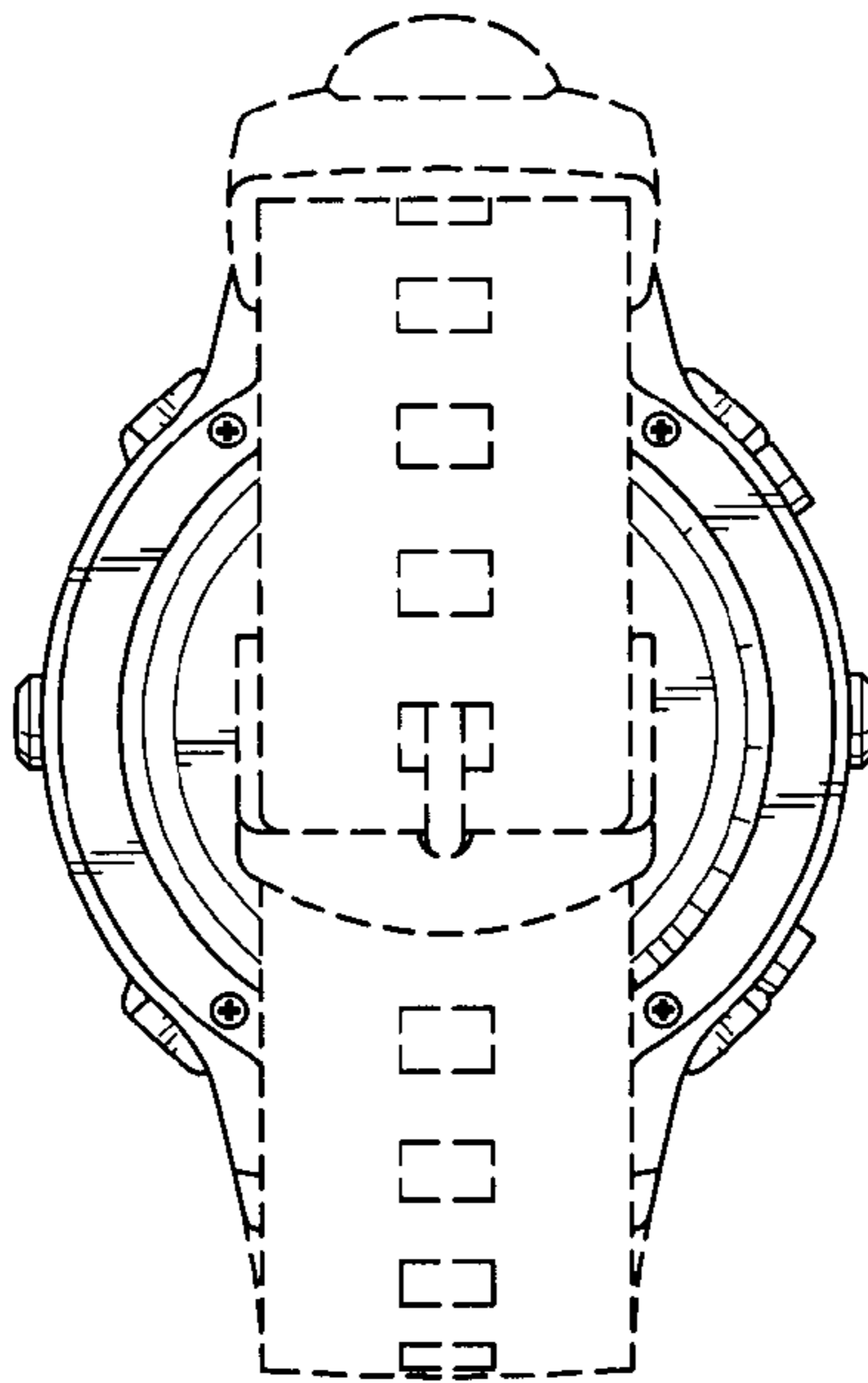


FIG. 7