



US00D519845S

(12) **United States Design Patent**  
**Ortiz**

(10) **Patent No.:** **US D519,845 S**

(45) **Date of Patent:** **\*\* May 2, 2006**

(54) **FLASK WITH A CAP**

(76) Inventor: **Juan Moreno Ortiz**, 4a. Avda. 15-  
Polg.Campollan, 02080 Albacete (ES)

(\*\*) Term: **14 Years**

(21) Appl. No.: **29/191,219**

(22) Filed: **Sep. 17, 2003**

(30) **Foreign Application Priority Data**

Nov. 21, 2005 (ES) ..... 156505

(51) **LOC (8) Cl.** ..... **09-01**

(52) **U.S. Cl.** ..... **D9/651; D9/556; D9/559;**  
**D9/571; D9/573**

(58) **Field of Classification Search** ..... D9/651,  
D9/516, 529, 544-546, 549, 553-556, 558,  
D9/559, 566-569, 571-574; D11/90, 164;  
D28/91.1; 215/382-384; D19/93-94, 96-97  
See application file for complete search history.

(56) **References Cited**

**U.S. PATENT DOCUMENTS**

- D43,137 S \* 10/1912 Eichhorn ..... D9/529
- D43,781 S \* 4/1913 Sanford ..... D9/546 X
- D44,765 S \* 10/1913 Haley ..... D9/546
- D54,214 S \* 11/1919 Jenkins ..... D9/546
- D85,363 S \* 10/1931 Betts ..... D9/529
- D89,141 S \* 1/1933 Wilsin ..... D9/559
- D97,681 S \* 12/1935 Larsen ..... D19/93 X
- D242,738 S \* 12/1976 Michaeli ..... D26/136

- D306,400 S \* 3/1990 Beier-Rosetti ..... D9/546
- D306,694 S \* 3/1990 Beier-Rosetti ..... D9/529
- D355,602 S \* 2/1995 Buettner et al. .... D9/505
- D365,516 S \* 12/1995 Williamson ..... D9/651
- D368,444 S \* 4/1996 Shryock ..... D11/164
- D477,227 S \* 7/2003 Goswell ..... D9/651
- 6,705,114 B1 \* 3/2004 Steiner ..... D11/90 X

**FOREIGN PATENT DOCUMENTS**

GB 2066954 \* 10/1997

\* cited by examiner

*Primary Examiner*—Carol Rademaker

(74) *Attorney, Agent, or Firm*—Horst M. Kasper

(57) **CLAIM**

The ornamental design for a flask with a cap, as shown and described.

**DESCRIPTION**

FIG. 1 is a front view of the design of flask with a cap. A back view, right and left side views are identical.

FIG. 2 is a bottom view of the design thereof;

FIG. 3 is a top view of the design thereof;

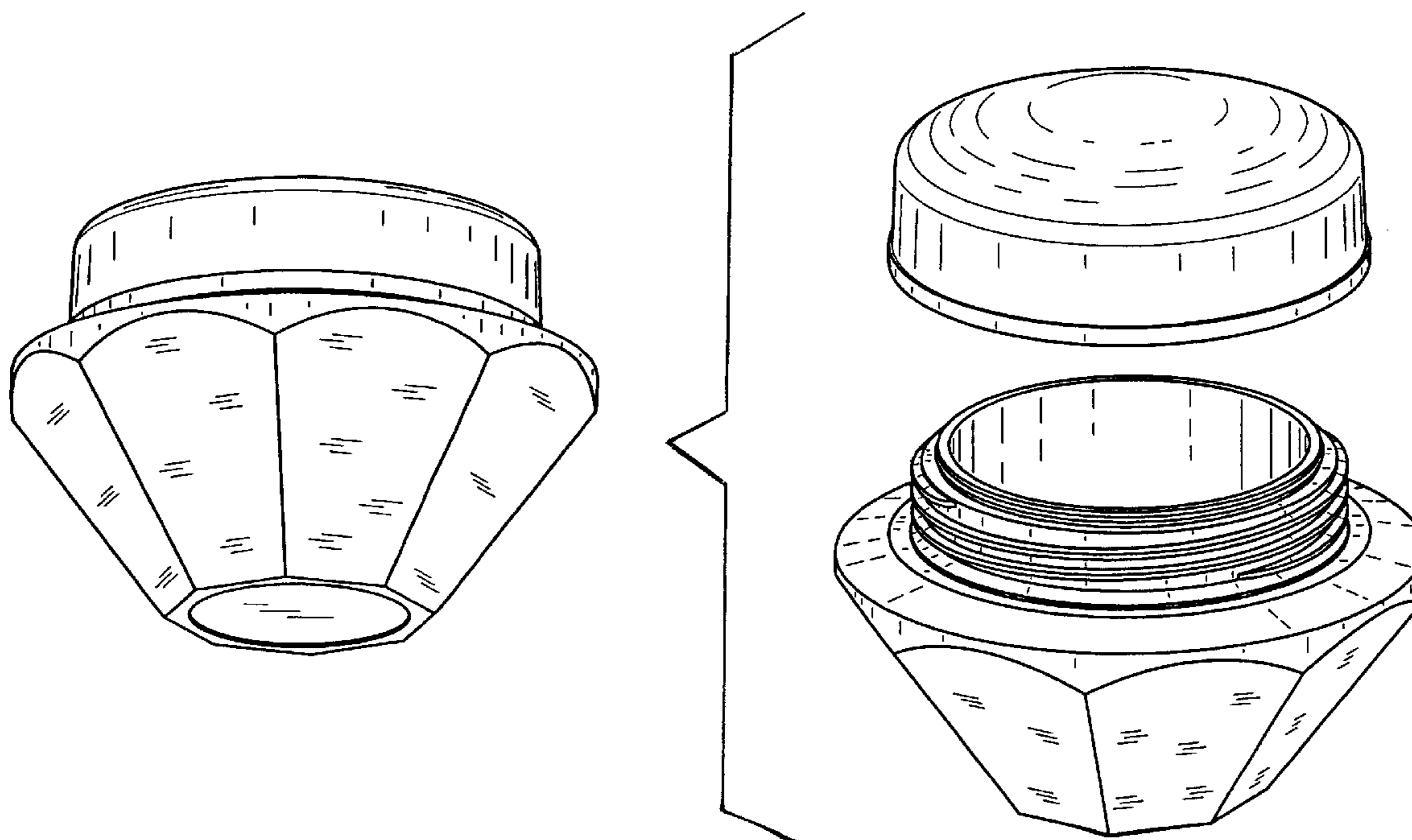
FIG. 4 is a front-top perspective view of the design thereof;

FIG. 5 is a front-bottom perspective view of the design thereof;

FIG. 6 is a partial cross sectional view of the design thereof, taken along section line 6—6 in FIG. 2; and,

FIG. 7 is an exploded perspective view of the design thereof.

**1 Claim, 4 Drawing Sheets**



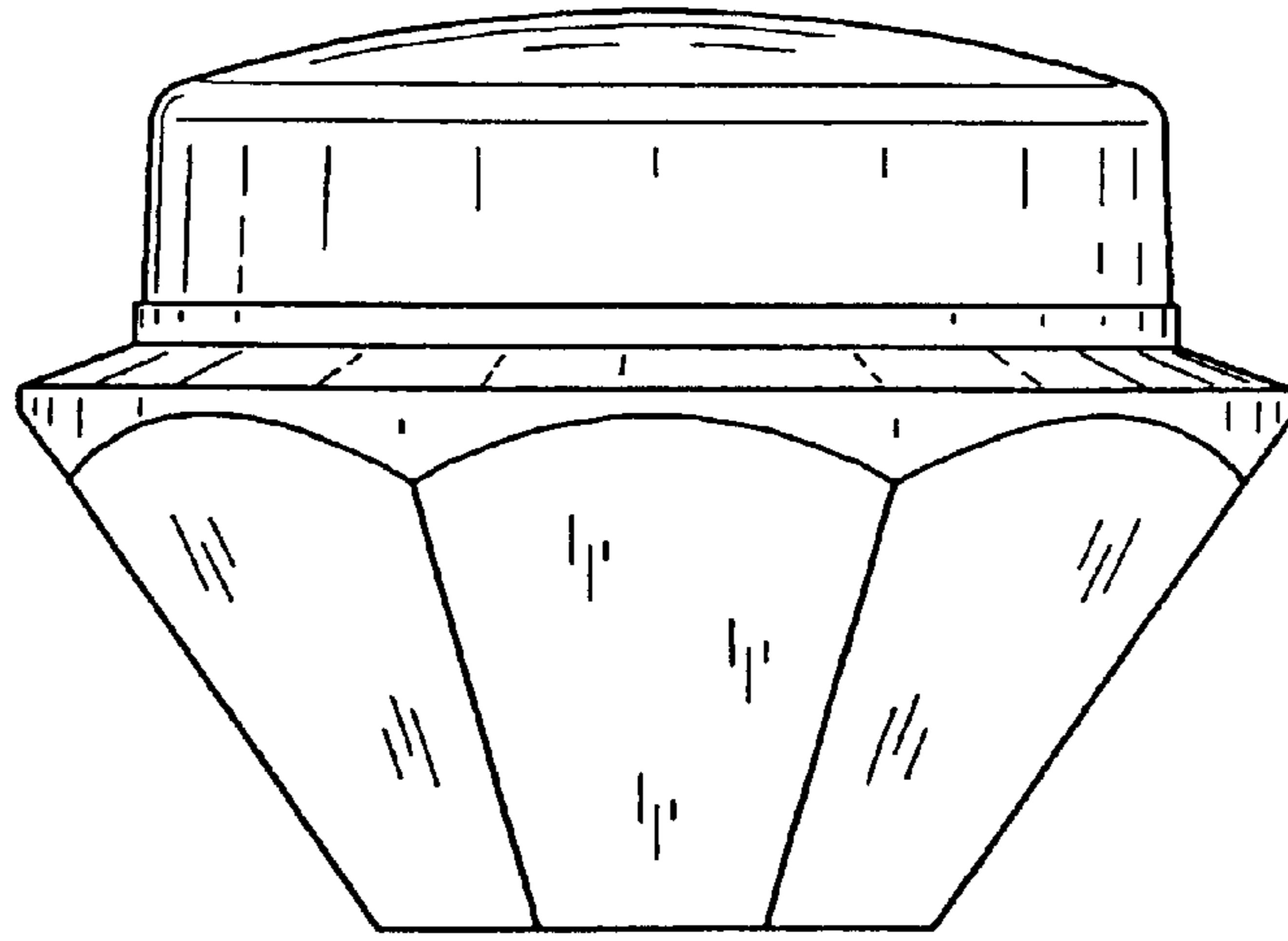


Fig.1

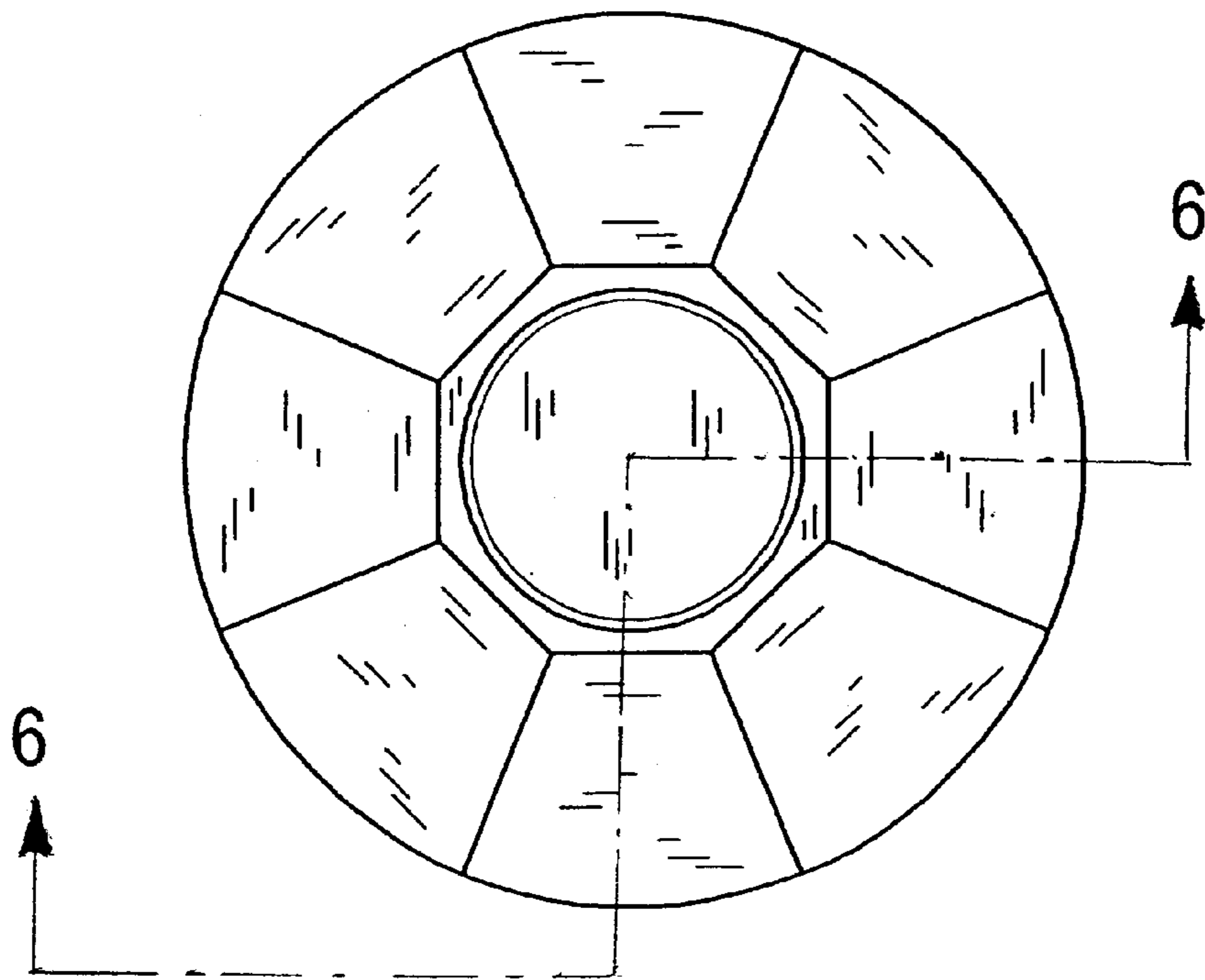


Fig.2

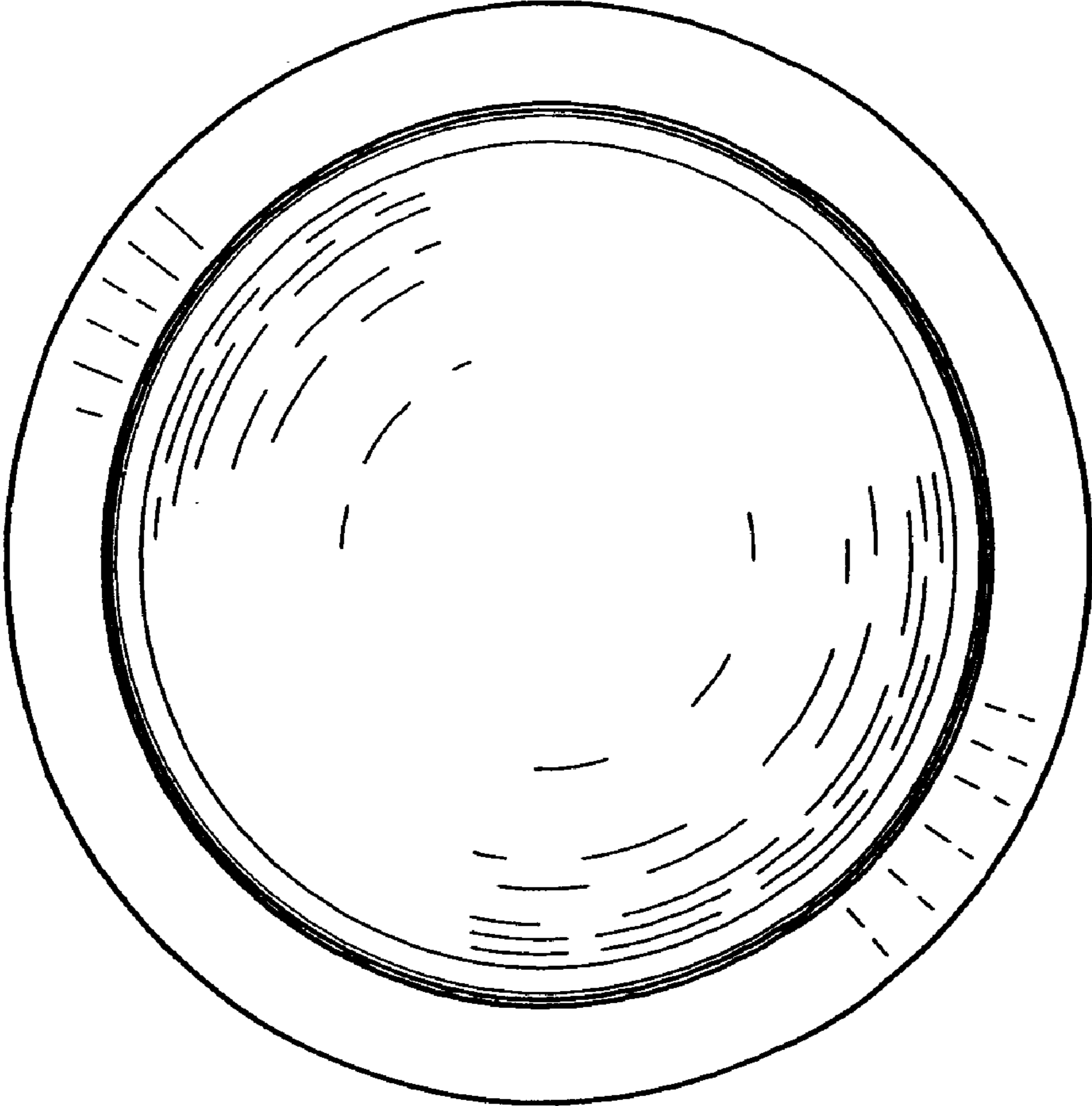


Fig.3

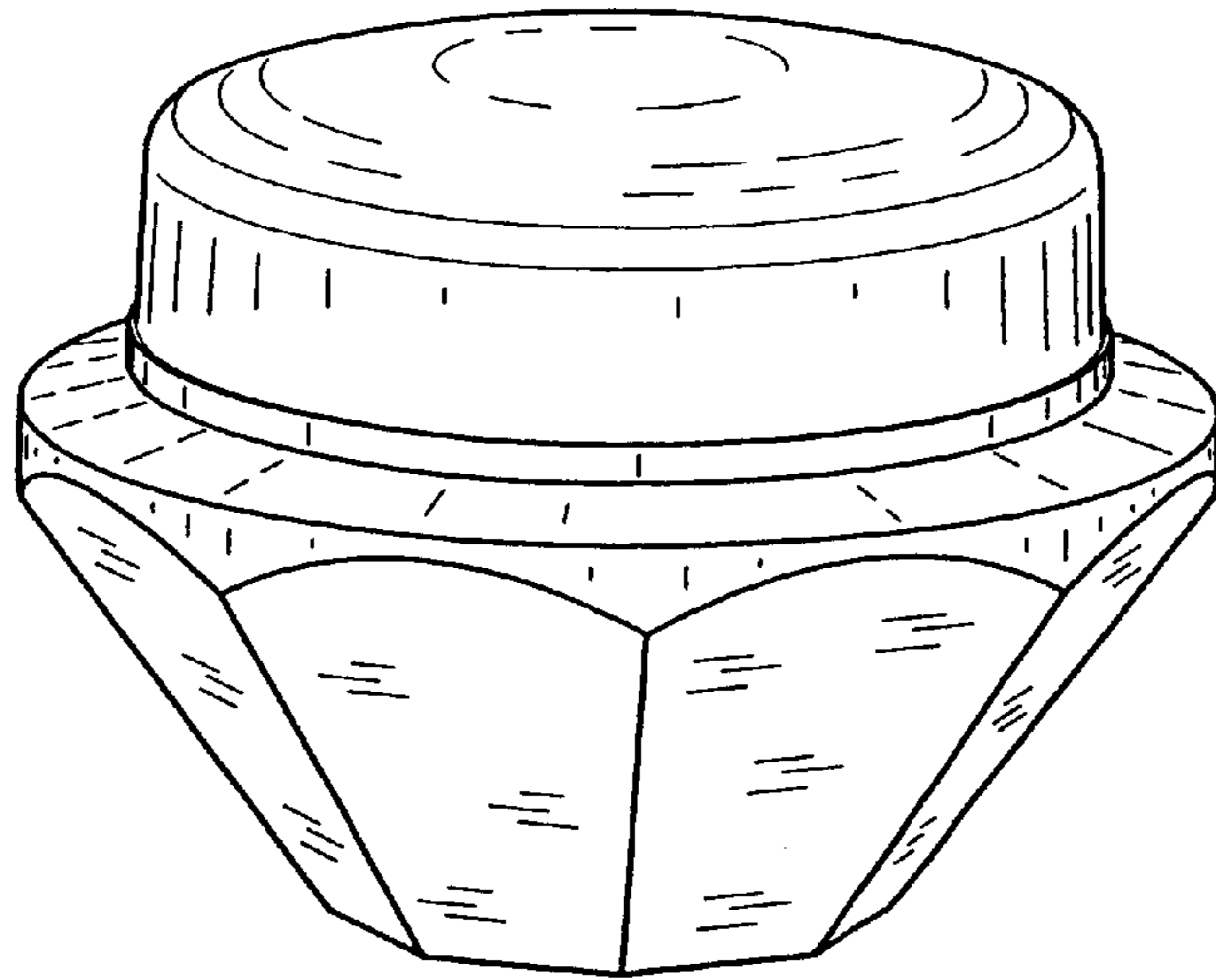


Fig.4

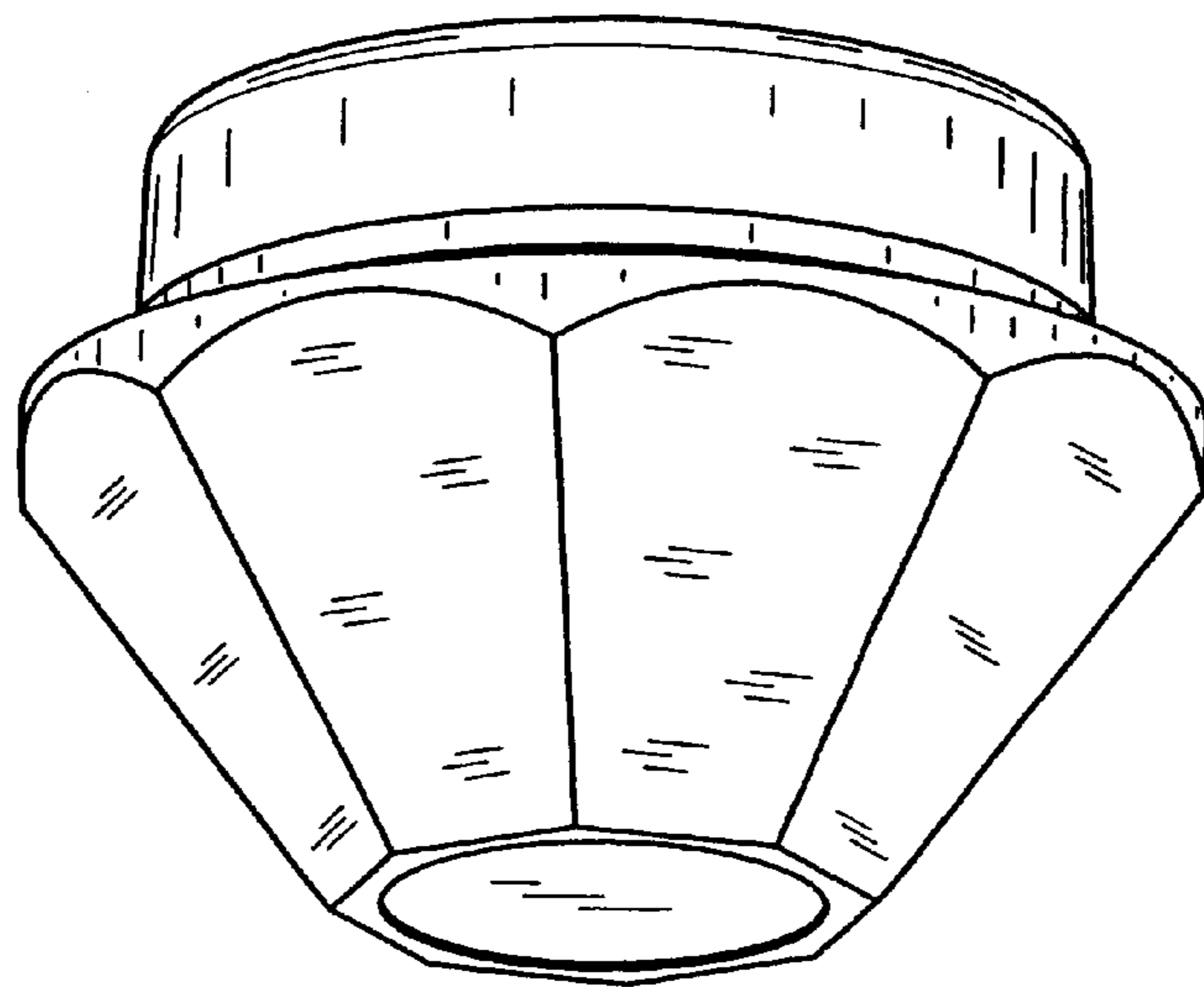


Fig.5

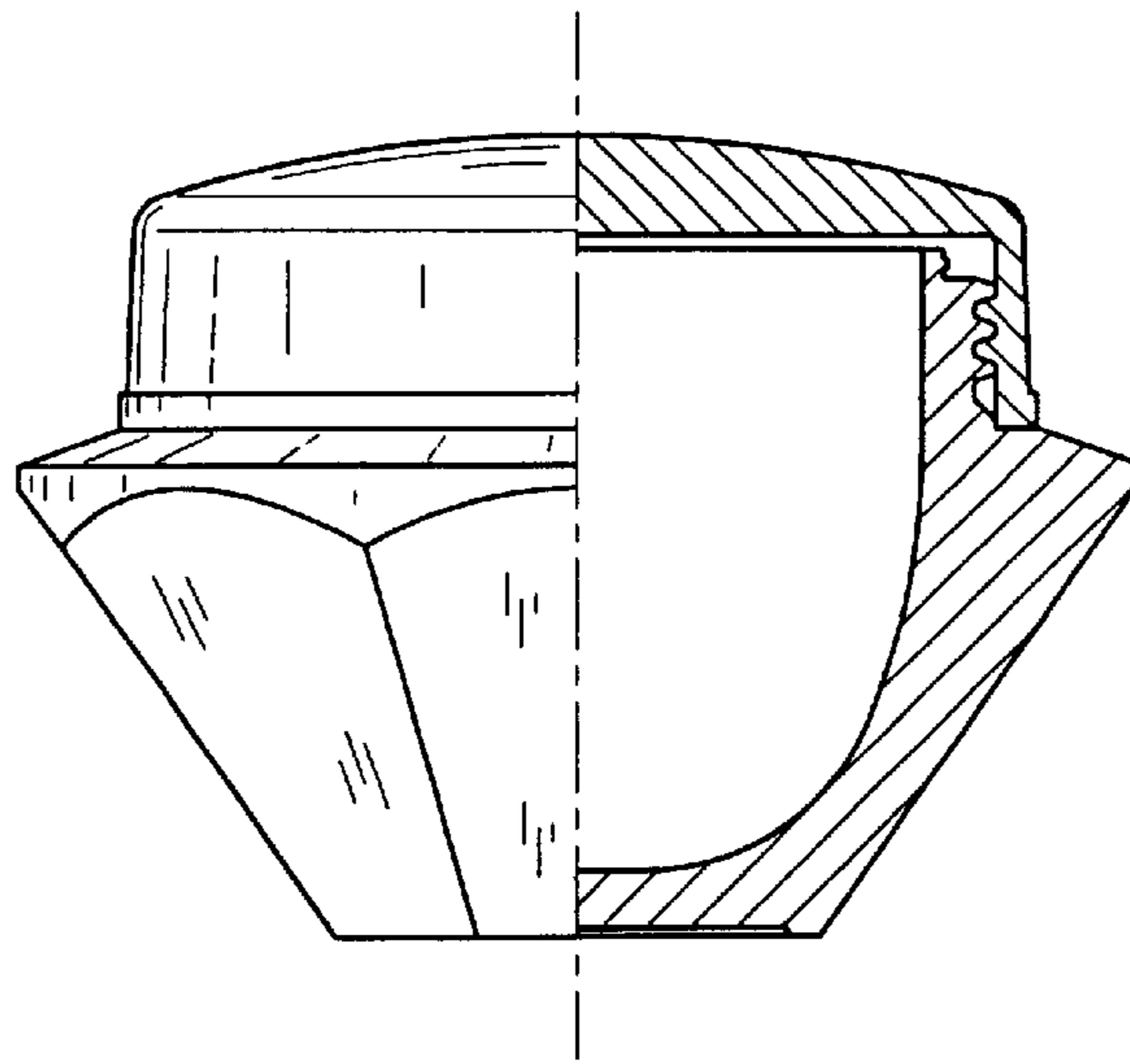


Fig.6

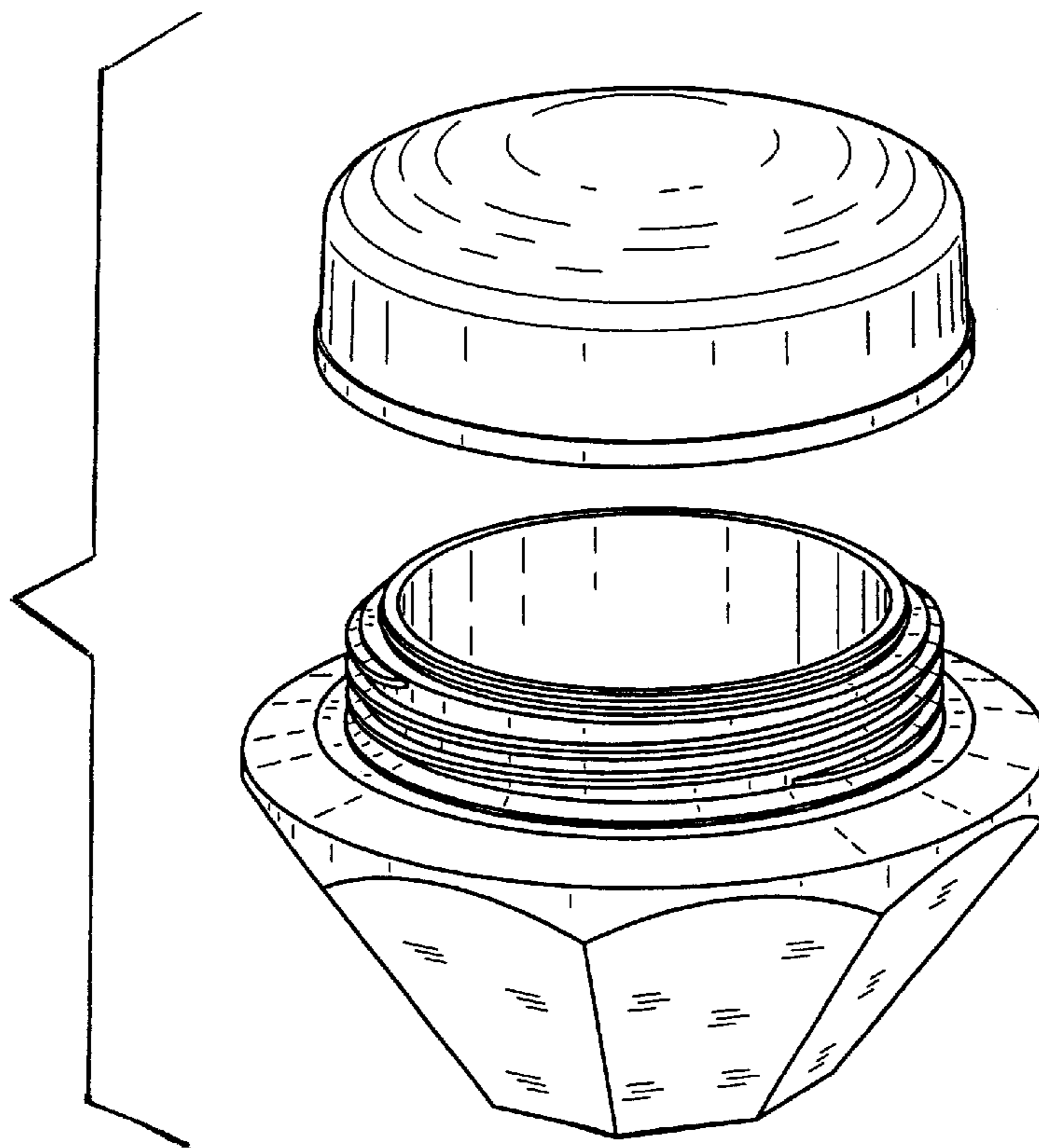


Fig.7