



US00D519841S

(12) **United States Design Patent Grant** (10) **Patent No.:** **US D519,841 S**
(45) **Date of Patent:** **** May 2, 2006**

(54) **SPRAY DISPENSER**
(75) Inventor: **Bradford S. Grant**, Bridgewater, NJ (US)
(73) Assignee: **Warner-Lambert Company LLC**, Morris Plains, NJ (US)
(**) Term: **14 Years**
(21) Appl. No.: **29/211,521**
(22) Filed: **Aug. 16, 2004**
(51) **LOC (8) Cl.** **09-01**
(52) **U.S. Cl.** **D9/516; D9/535; D9/553**
(58) **Field of Classification Search** D9/414, D9/435, 443, 445, 448, 516, 521, 529, 530, D9/535, 549, 551, 553, 558, 566, 572-573, D9/682, 686-694; D28/7, 76, 91.1; D23/366; D3/215; 222/321.1-321.9; 215/382-384, 215/396, 398; D24/110
See application file for complete search history.

FR 2702195 A1 3/1993
FR 2545382 A1 5/1993
GB 3009950 * 3/2003
WO WO9210408 A1 6/1992

OTHER PUBLICATIONS

U.S. Appl. No. 60/601,883, filed Aug. 16, 2004, Bradford Grant.
U.S. Appl. No. 29/221,406, filed Aug. 16, 2004, Bradford Grant.
U.S. Appl. No. 29/211,407, filed Aug. 16, 2004, Bradford Grant.
U.S. Appl. No. 29/211,386, filed Aug. 16, 2004, Mark Zeh et al.
U.S. Appl. No. 29/211,409, filed Aug. 16, 2004, Bradford Grant.
U.S. Appl. No. 29.211,388, filed Aug. 16, 2004, Mark Zeh et al.
U.S. Appl. No. 29/211,399, filed Aug. 16, 2004, Bradford Grant.
U.S. Appl. No. 60/601,876, filed Aug. 16, 2004, Bradford Grant.

(56) **References Cited**

U.S. PATENT DOCUMENTS

595,414 A * 12/1897 Roach 215/11.1
1,794,385 A * 3/1931 McAtree 401/60
3,410,459 A * 11/1968 Conley 215/398 X
D216,248 S * 12/1969 Hills D9/529
D254,163 S * 2/1980 Sidor D9/535
D277,549 S * 2/1985 Martinez D9/687
D278,370 S * 4/1985 Speitel D28/91.1
D288,491 S * 2/1987 Speitel D28/91.1
D301,912 S * 6/1989 Ward D23/366 X
D310,022 S * 8/1990 Anderson D9/688
5,307,960 A 5/1994 Fay, Sr.

(Continued)

FOREIGN PATENT DOCUMENTS

DE 7431161.801 9/1974
DE 9217863.401 12/1992
EP 0141725 A1 10/1984
EP 0670186 A2 12/1990
EP 0601348 A1 11/1993

Primary Examiner—Carol Rademaker

(74) *Attorney, Agent, or Firm*—Evan J. Federman; Darryl C. Little; Erika Singleton Wilson

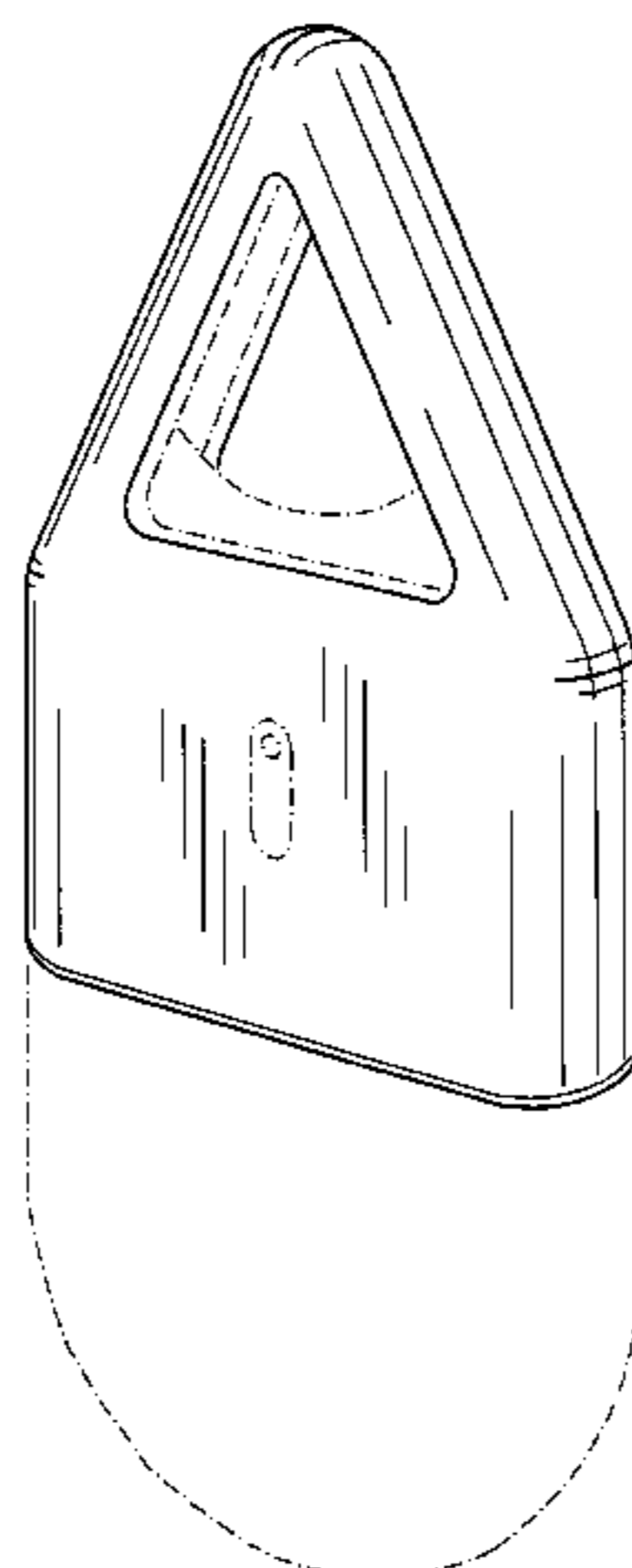
(57) **CLAIM**

I claim the ornamental design for a spray dispenser, as shown and described.

DESCRIPTION

FIG. 1 is a front perspective view of the spray dispenser; FIG. 2 is a front elevational view of the spray dispenser; FIG. 3 is a top plan view of the spray dispenser; FIG. 4 is a right side elevational view of the spray dispenser, the left side elevational view being a mirror image; and, FIG. 5 is a rear elevational view of the spray dispenser. The left side of the spray dispenser is symmetrical with the right side shown in FIG. 4. The broken lines in the drawings are for illustrative purposes only and form no part of the claimed design.

1 Claim, 5 Drawing Sheets



US D519,841 S

Page 2

U.S. PATENT DOCUMENTS

5,348,193	A	9/1994	Bruckner et al.	D457,061	S	5/2002	Walters	
5,477,990	A	12/1995	Saito et al.	D471,005	S	* 3/2003	Hastings D3/215
D407,644	S	4/1999	de Maillard et al.	D486,387	S	* 2/2004	Lee et al. D9/719
D424,947	S	* 5/2000	Mangold	D494,065	S	* 8/2004	Hook D9/435 X
6,179,166	B1	* 1/2001	Dallas, Jr.	D507,965	S	* 8/2005	Alvino et al. D9/414
D449,978	S	* 11/2001	Viellard					
		 D9/535					
		 222/212 X					
		 D9/687					

* cited by examiner

FIG. 1

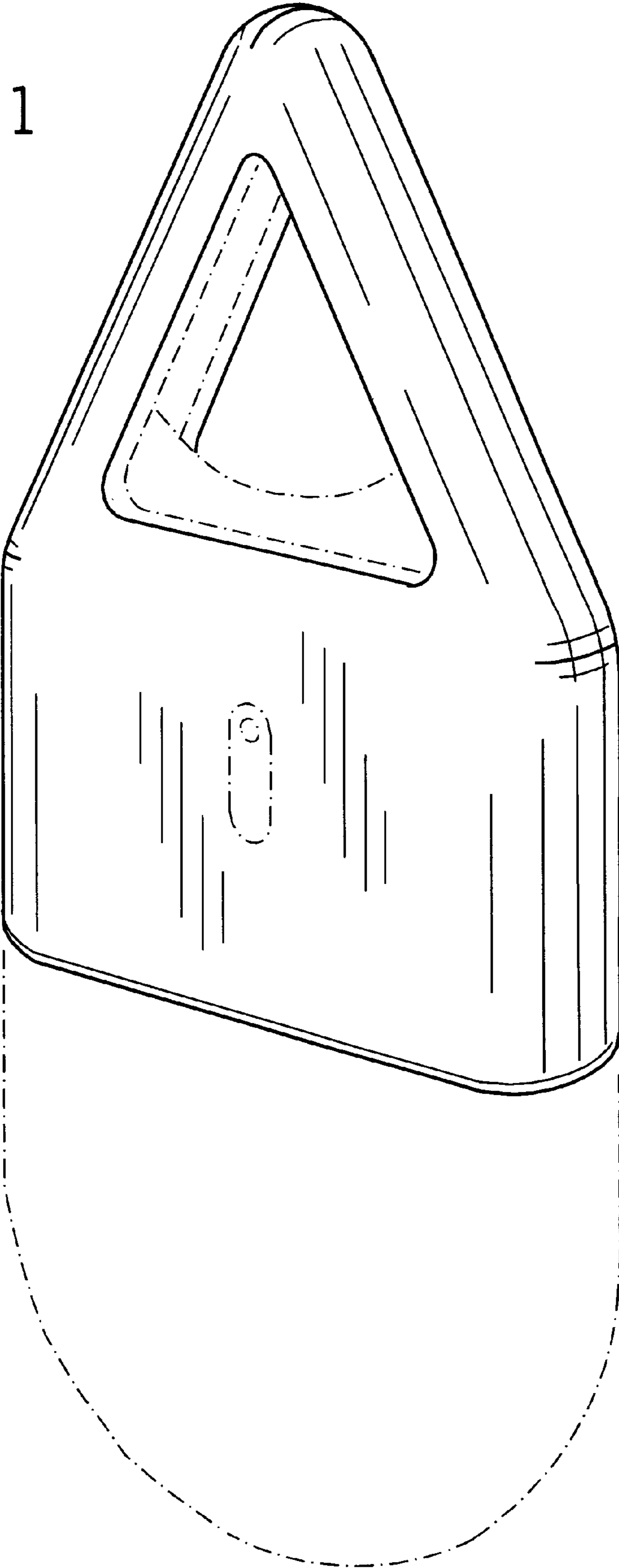


FIG. 2

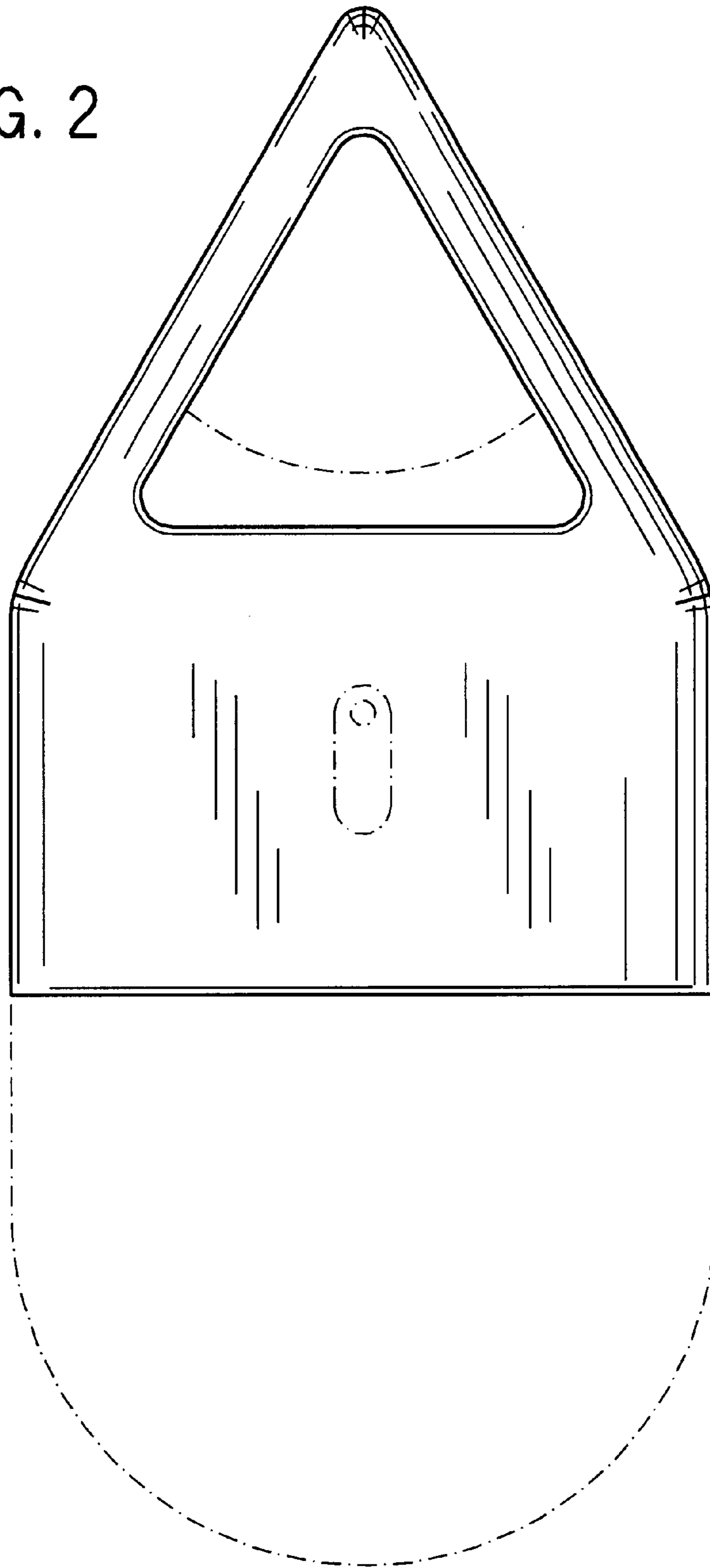


FIG. 3

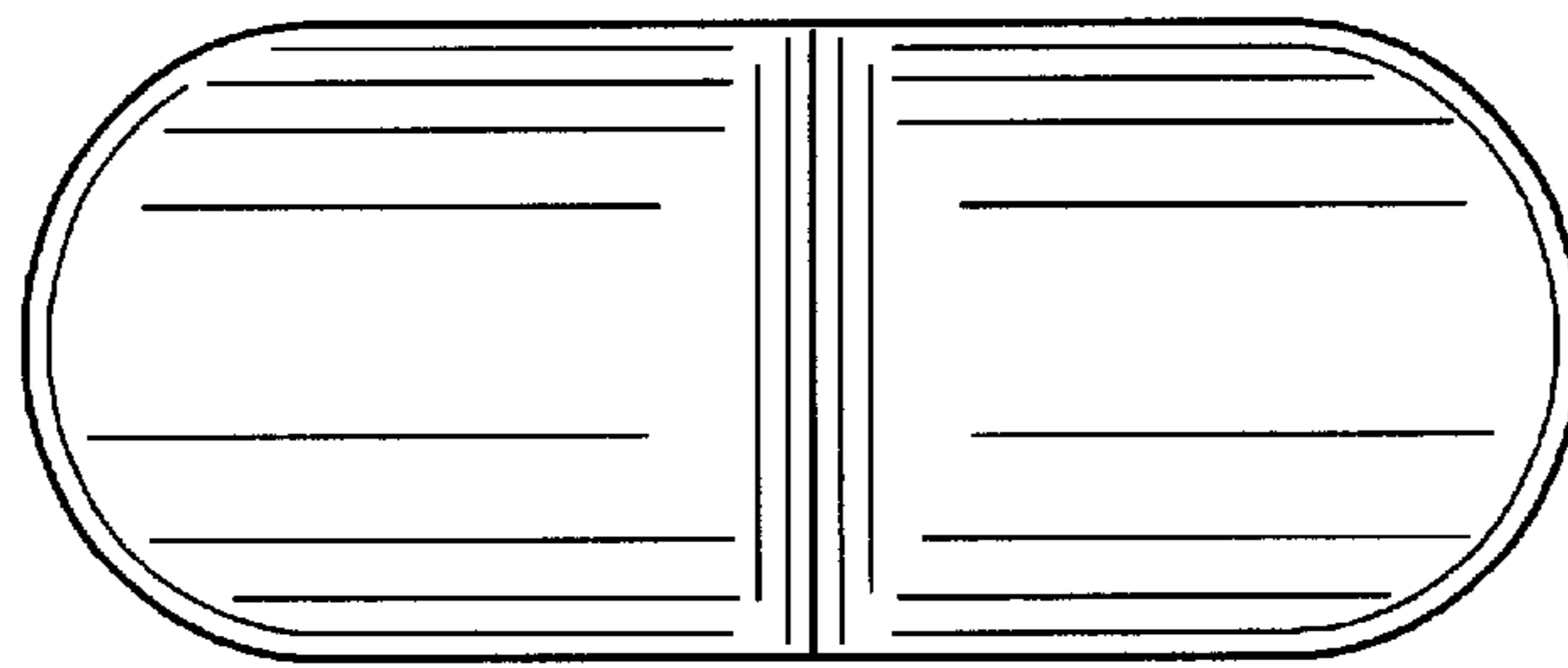


FIG. 4

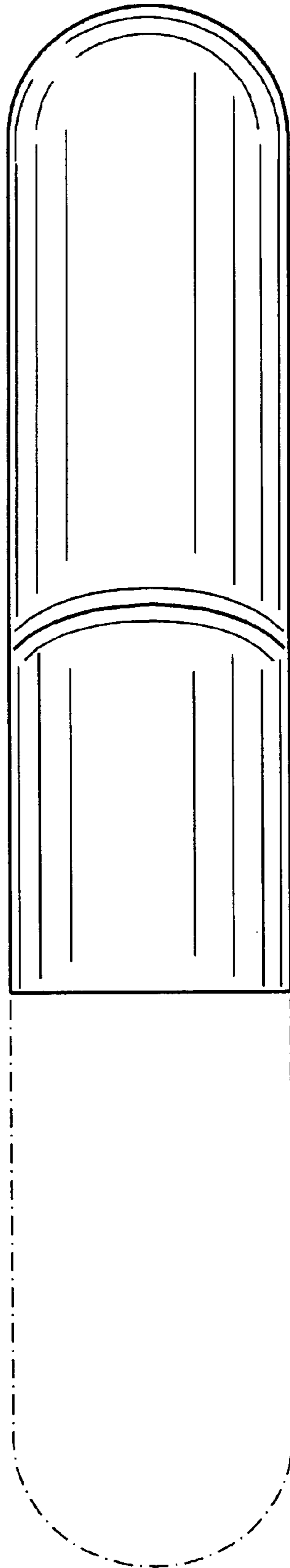


FIG. 5

