



US00D519840S

(12) **United States Design Patent** (10) **Patent No.:** **US D519,840 S**  
**Abadinsky** (45) **Date of Patent:** **\*\* May 2, 2006**

(54) **BOTTLE**  
(75) Inventor: **Donna Abadinsky**, Chicago, IL (US)  
(73) Assignee: **MSRF, Inc.**, Chicago, IL (US)  
(\*\*) Term: **14 Years**  
(21) Appl. No.: **29/234,414**  
(22) Filed: **Jul. 18, 2005**  
(51) **LOC (8) Cl.** ..... **09-01**  
(52) **U.S. Cl.** ..... **D9/502; D9/545; D9/557**  
(58) **Field of Classification Search** ..... D9/500,  
D9/502-505, 510-514, 516, 522-523, 530,  
D9/539, 541-549, 557-558, 560, 562, 572-575,  
D9/652, 682, 684, 689, 692-693, 744-746;  
215/381-385, 396, 398, 400  
See application file for complete search history.

(56) **References Cited**  
**U.S. PATENT DOCUMENTS**

D72,960 S	*	6/1927	Mas	.....	D9/502
D91,504 S	*	2/1934	Stein	.....	D9/529
D121,802 S	*	8/1940	Benjamin, Jr.	.....	D9/502
D152,875 S		3/1949	Framo		
D170,754 S	*	11/1953	Hexel	.....	D9/539
D178,562 S	*	8/1956	Blamey	.....	D9/757
D183,335 S	*	8/1958	Weckesser	.....	D9/502
D184,358 S	*	2/1959	Lagin	.....	D9/745
D206,417 S	*	12/1966	Clements	.....	D24/201
D206,830 S		1/1967	Marchant		
3,340,869 A	*	9/1967	Bane	.....	600/578
D211,318 S	*	6/1968	McLeod	.....	D9/526
D233,449 S	*	10/1974	Zauner	.....	D24/117
D234,778 S	*	4/1975	Zauner	.....	D24/117
D234,779 S	*	4/1975	Zauner	.....	D24/117
D256,666 S		9/1980	Sarda		
D280,601 S		9/1985	Biesecker		
D297,310 S		8/1988	Mednis		
D299,428 S		1/1989	Wilfond		
D312,570 S		12/1990	Lunderman		
D322,563 S		12/1991	Grandesso et al.		
5,088,642 A		2/1992	Farber		
D337,522 S		7/1993	Kingsbury		
D356,737 S		3/1995	Ginsberg		
D366,618 S		1/1996	Brillet et al.		
D366,619 S		1/1996	Holdbrook		
D369,969 S		5/1996	Grivory		

D388,709 S		1/1998	Weiss		
D395,240 S		6/1998	Dinand		
D395,828 S	*	7/1998	Lecoule	.....	D9/544 X
D412,118 S	*	7/1999	Rodea	.....	D9/502
5,924,583 A		7/1999	Stevens et al.		
D425,796 S		5/2000	Duranthon		
D426,789 S		6/2000	Joergensen		
D432,407 S		10/2000	Lee		
6,145,681 A		11/2000	Chimetto et al.		
D434,668 S		12/2000	Chimetto et al.		
D448,998 S		10/2001	Farris		
D450,573 S		11/2001	Mansau		
D464,434 S		10/2002	Morano		
D469,017 S		1/2003	Mauro		
D473,313 S		4/2003	Diak Ghanam		
6,551,639 B1		4/2003	Nye et al.		
D476,899 S	*	7/2003	Honkawa	.....	D9/539
D478,289 S		8/2003	Dean et al.		
6,631,819 B1		10/2003	Diak Ghanem		
D481,627 S		11/2003	Hillesland		
6,659,300 B1		12/2003	Wurster et al.		
D484,810 S		1/2004	Rosen		
D487,697 S	*	3/2004	Rosen	.....	D9/745
D489,001 S		4/2004	Martin		
D495,608 S		9/2004	Klemm et al.		
D498,676 S		11/2004	Crawford		
D504,067 S	*	4/2005	Feletto	.....	D9/574 X
2002/0104820 A1		8/2002	Hong et al.		
2003/0010744 A1		1/2003	Ma et al.		

**FOREIGN PATENT DOCUMENTS**

GB	2042155	*	1/1995
GB	2067867	*	11/1997

\* cited by examiner

*Primary Examiner*—Carol Rademaker  
(74) *Attorney, Agent, or Firm*—Seyfarth Shaw LLP

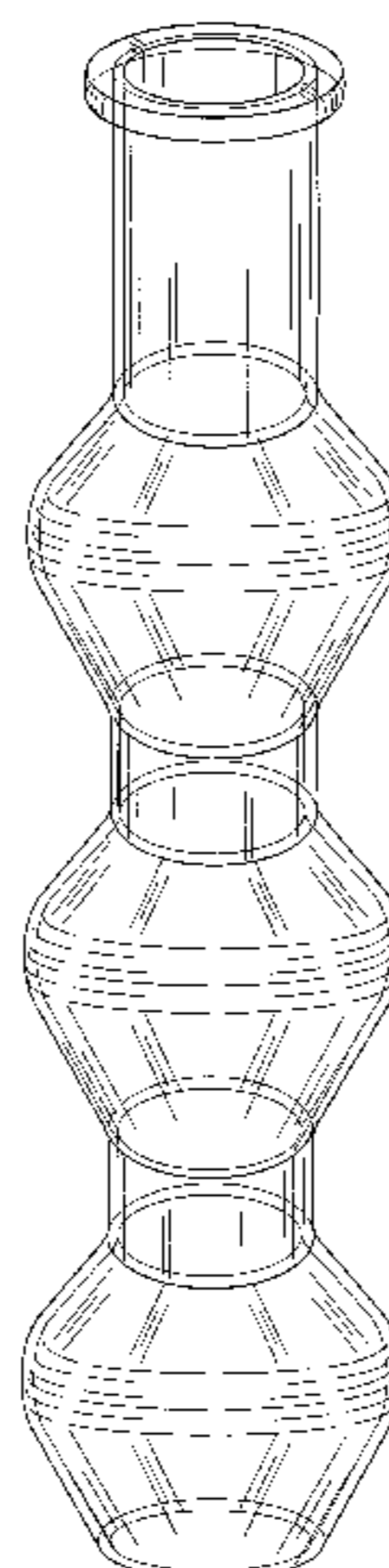
(57) **CLAIM**

The ornamental design for a bottle, as shown and described.

**DESCRIPTION**

FIG. 1 is a perspective view of the bottle showing my new design;  
FIG. 2 is a side view thereof, the front, rear and opposite side views being identical;  
FIG. 3 is a top plan view thereof; and,  
FIG. 4 is a bottom plan view thereof.

**1 Claim, 2 Drawing Sheets**



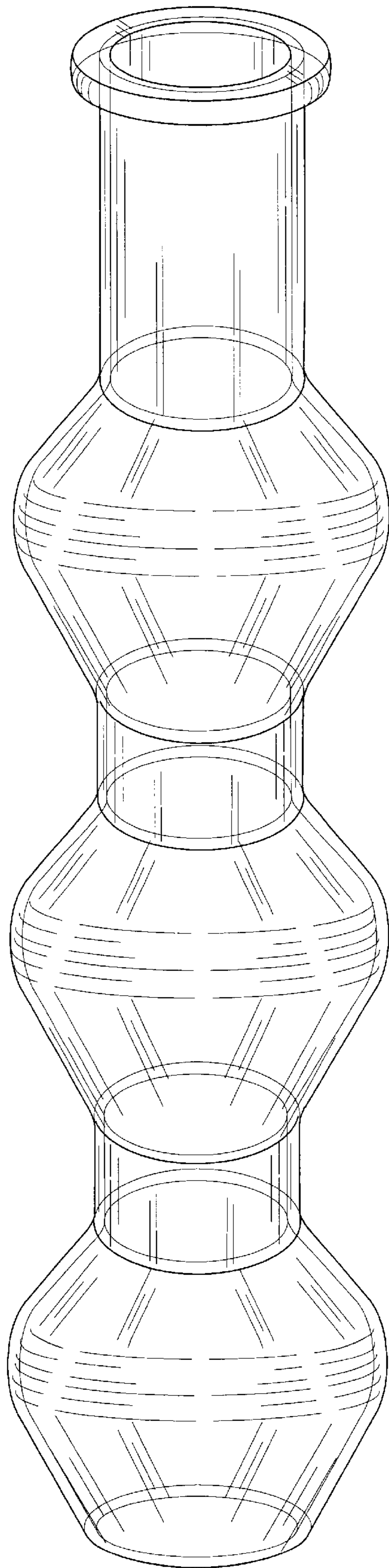


FIG. 1

FIG. 2

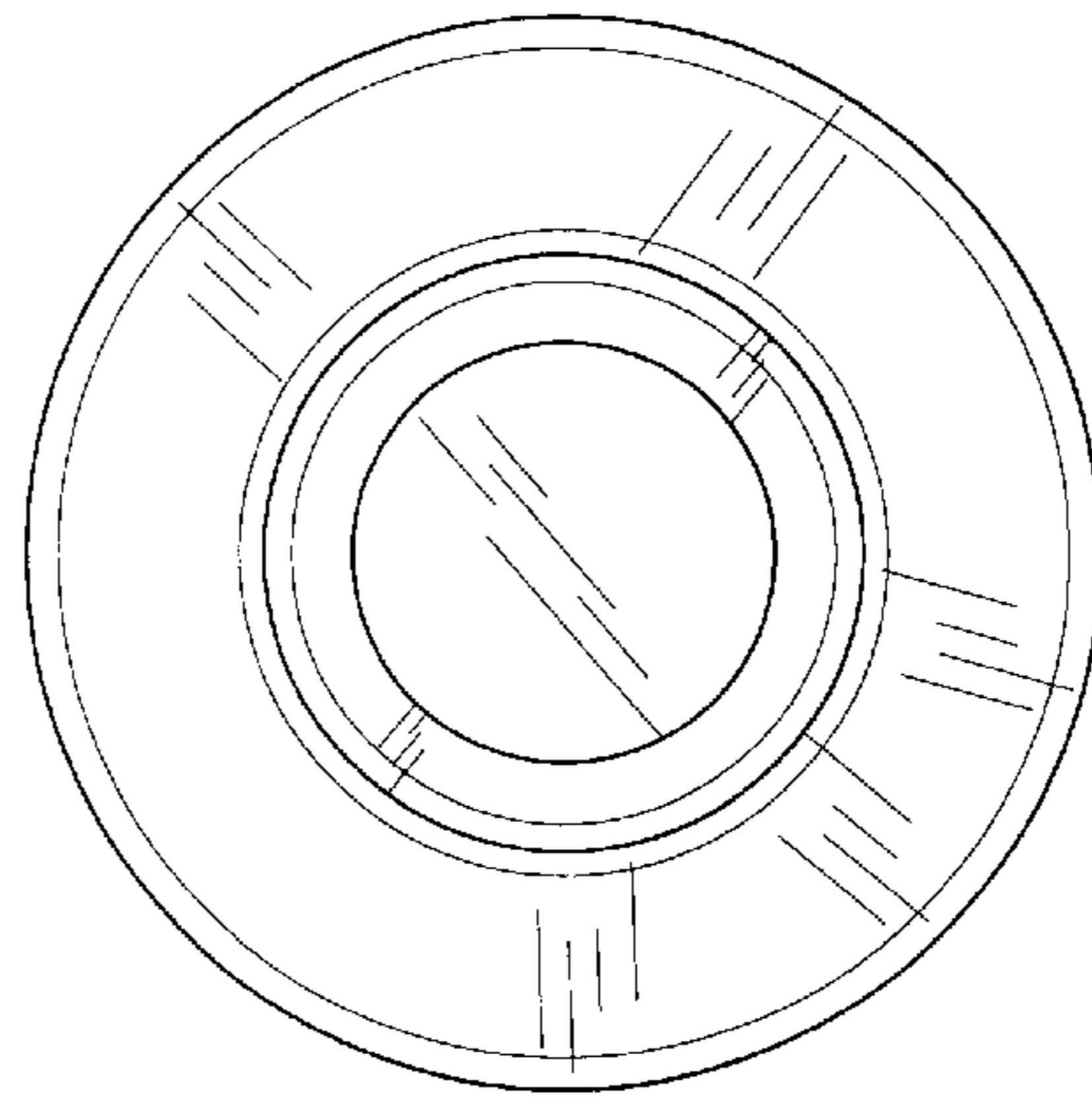
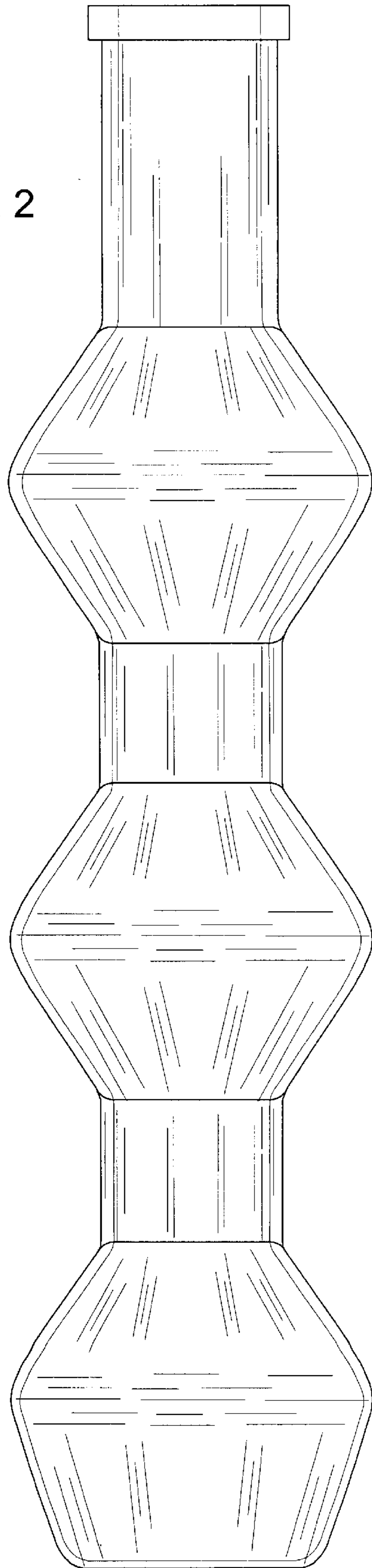


FIG. 3

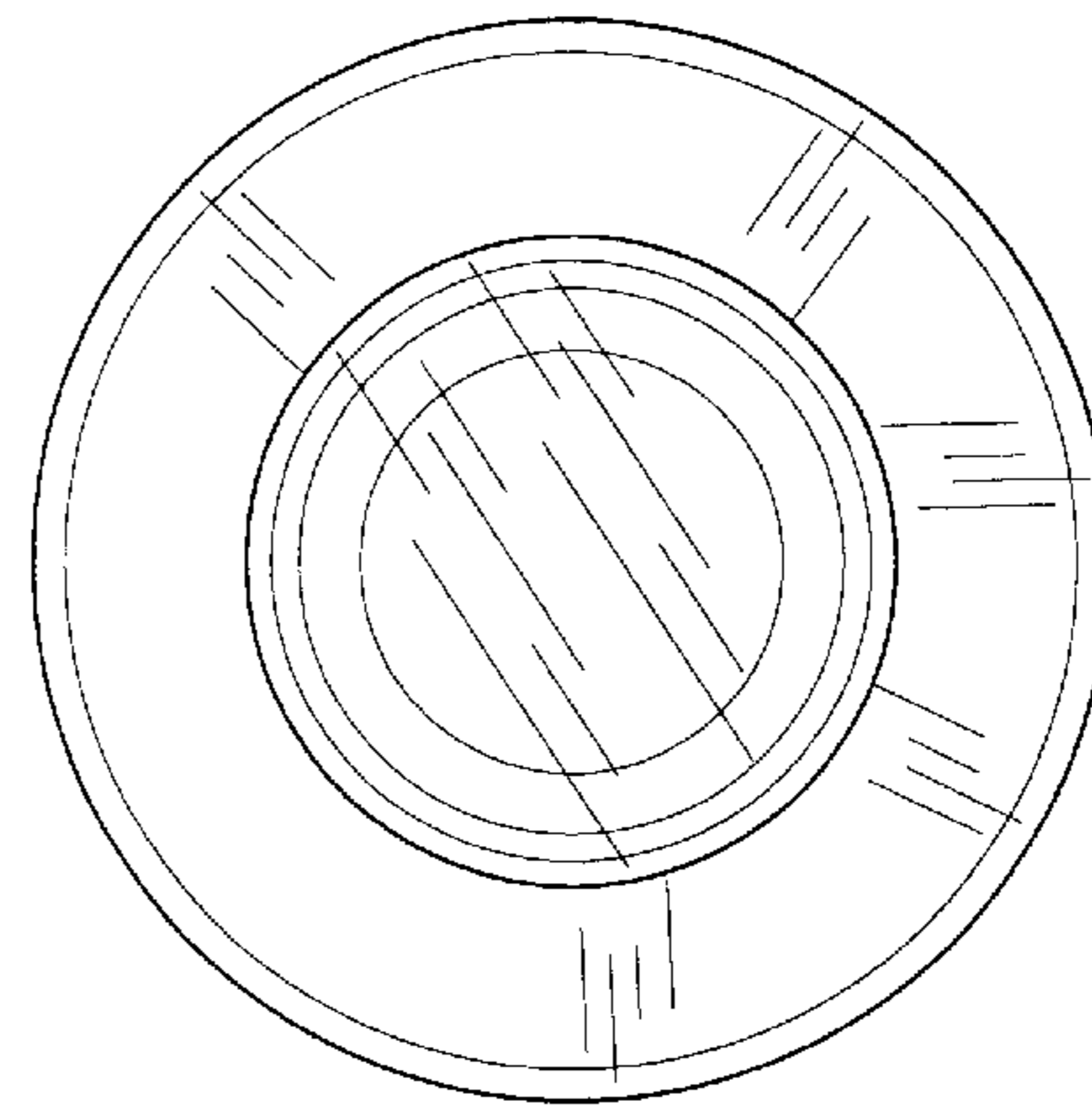


FIG. 4