

US00D519837S

(12) **United States Design Patent**
Sturk et al.

(10) **Patent No.:** **US D519,837 S**

(45) **Date of Patent:** **** May 2, 2006**

(54) **TWO PIECE SCREW CAP CLOSURE**

5,938,055 A * 8/1999 Philips et al. 215/222
D477,224 S * 7/2003 Hussain D9/453

(75) Inventors: **Ron Sturk**, Brampton (CA); **Franco Luburic**, Anaheim Hills, CA (US)

* cited by examiner

(73) Assignees: **APC Products Limited**, Brampton (CA); **Ropak Corporation**, Fountain Valley, CA (US)

Primary Examiner—Robert M. Spear

Assistant Examiner—Susan Bennett Hattan

(74) *Attorney, Agent, or Firm*—Eugene J. A. Gierczak

(**) Term: **14 Years**

(57) **CLAIM**

The ornamental design for the “two piece screw cap closure,” as shown and described.

(21) Appl. No.: **29/202,922**

(22) Filed: **Apr. 8, 2004**

DESCRIPTION

(51) **LOC (8) Cl.** **09-07**

(52) **U.S. Cl.** **D9/453**

(58) **Field of Classification Search** D9/454,
D9/453, 452, 450, 449, 447, 445, 435, 434;
D12/207, 204; D11/75, 40, 222; 222/548;
220/288, 259.4, 259.3, 253; 215/222, 223
See application file for complete search history.

FIG. 1 is a front perspective view of the screw cap portion of a two piece screw cap closure showing our new design. FIG. 2 is a front perspective view of the closure body portion thereof.

FIG. 3 is a side view of the assembled two piece screw cap closure with partial cross-sectional view.

FIG. 4 is a side view of the screw cap with partial cross-sectional view.

FIG. 5 is a top view of the screw cap.

FIG. 6 is a side view of the closure body with partial cross-sectional view; and,

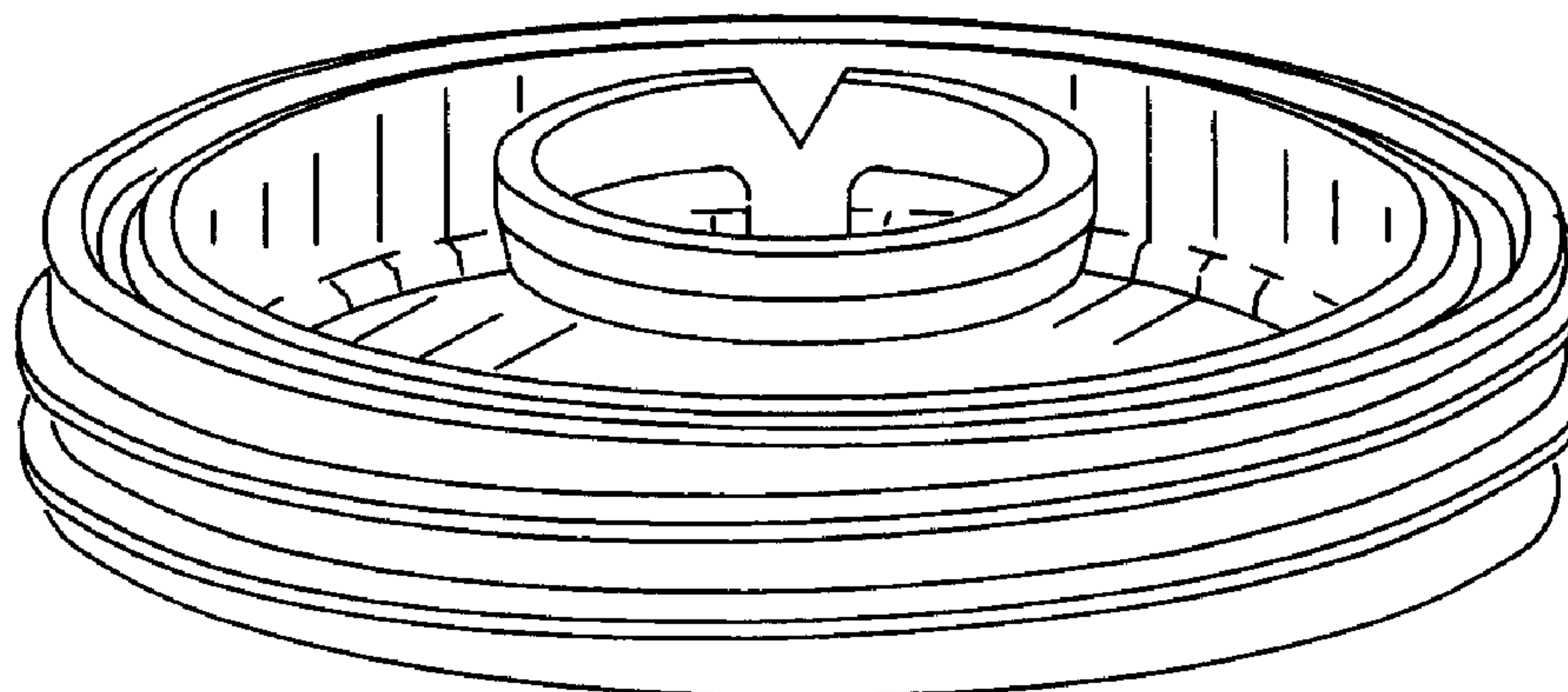
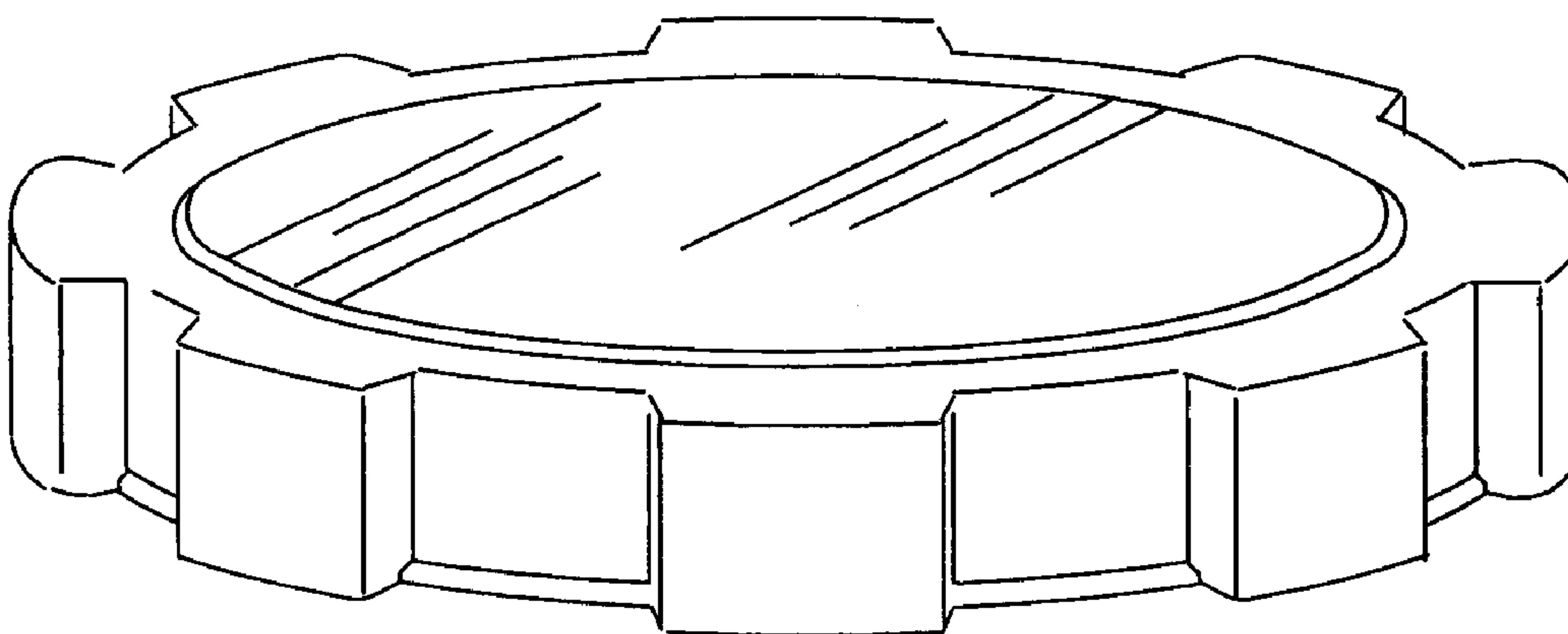
FIG. 7 is a top view of the closure body.

(56) **References Cited**

U.S. PATENT DOCUMENTS

4,252,246 A * 2/1981 Johnson et al. 220/288
4,290,466 A * 9/1981 Villa et al. 220/288
D311,868 S * 11/1990 Armstrong D9/453

1 Claim, 3 Drawing Sheets



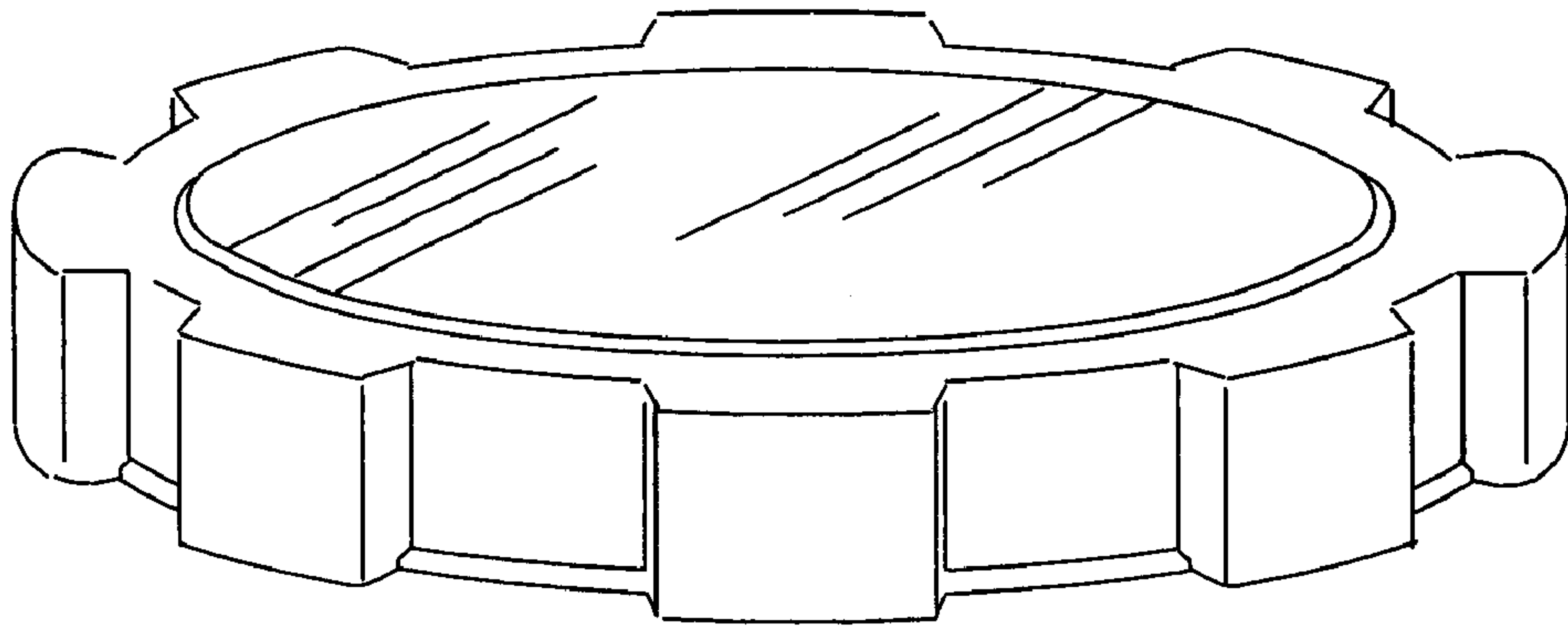


FIGURE 1

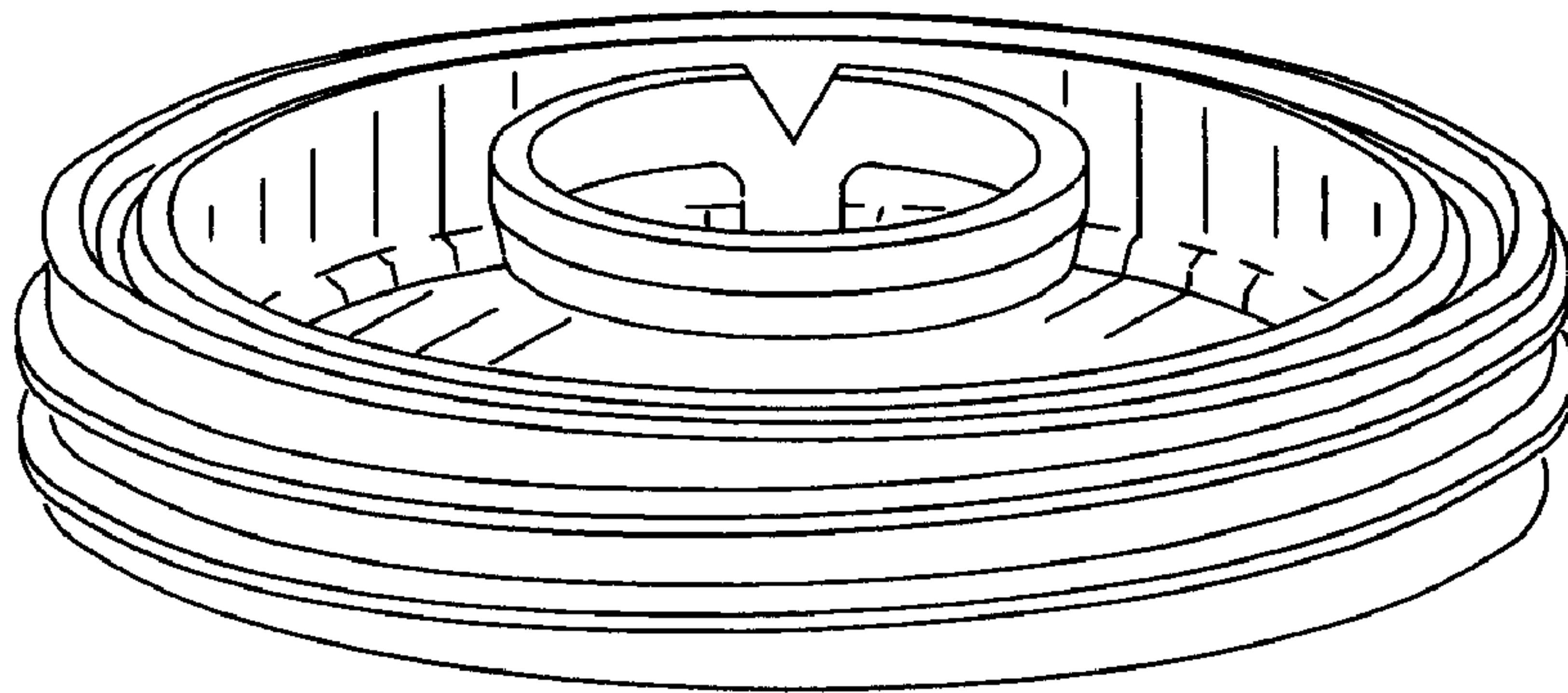


FIGURE 2

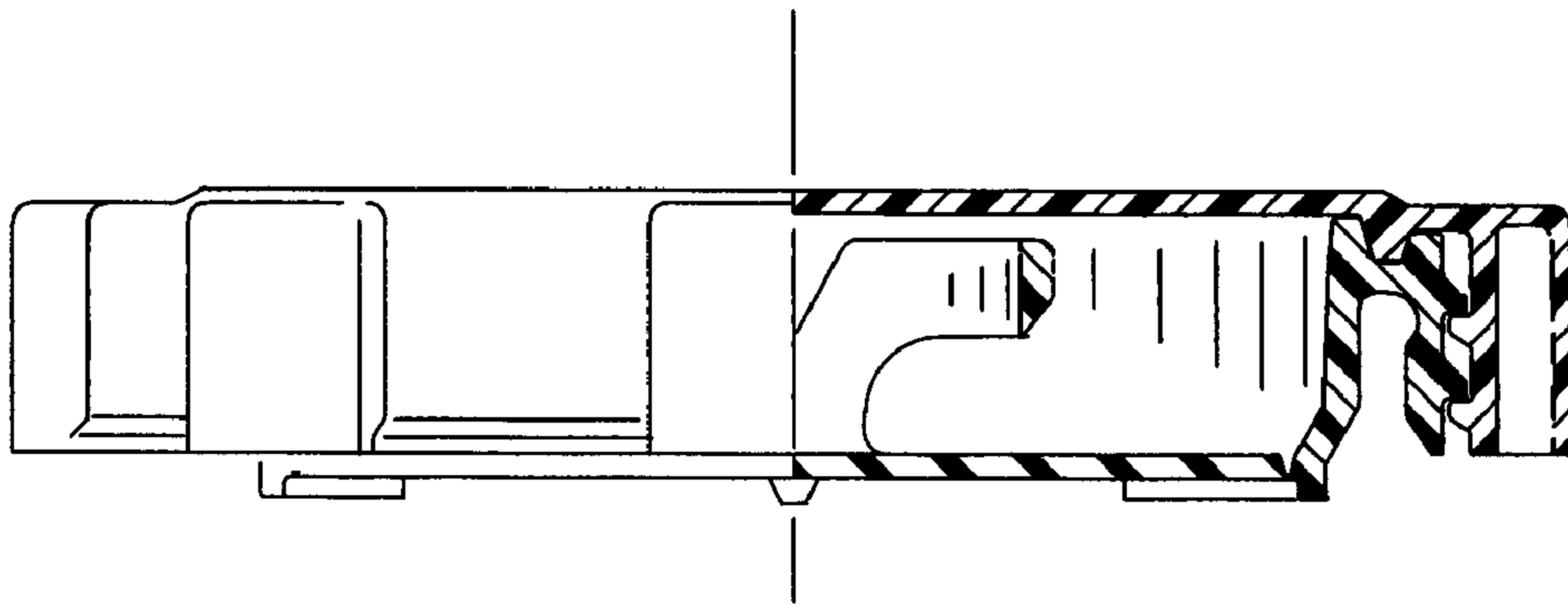


FIGURE 3

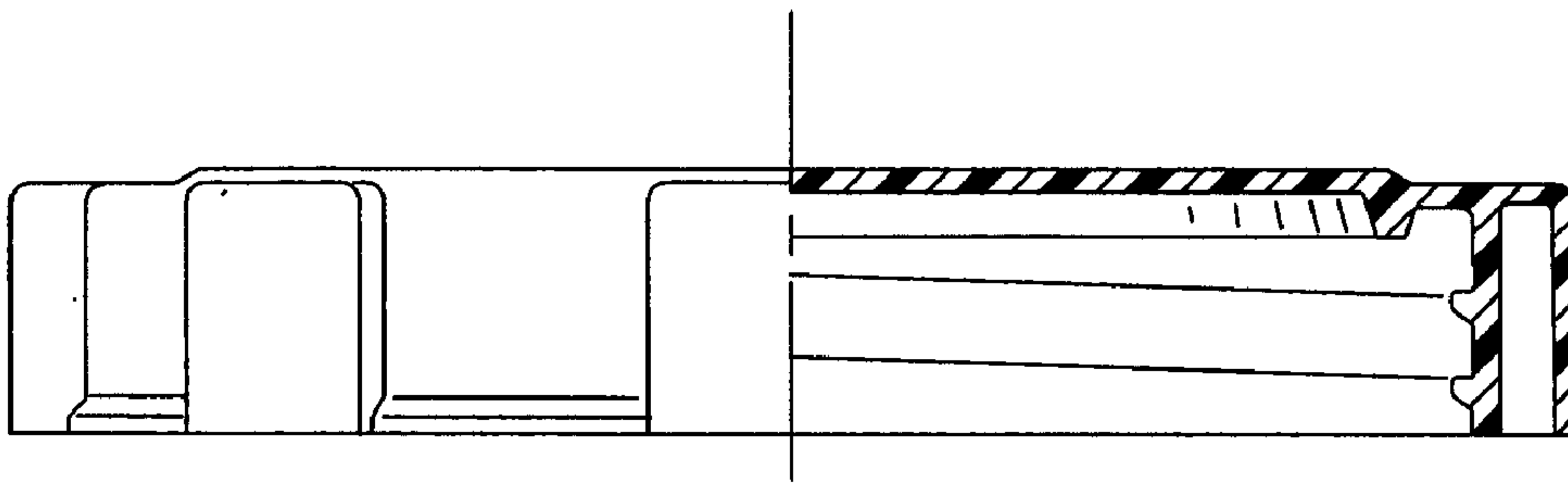


FIGURE 4

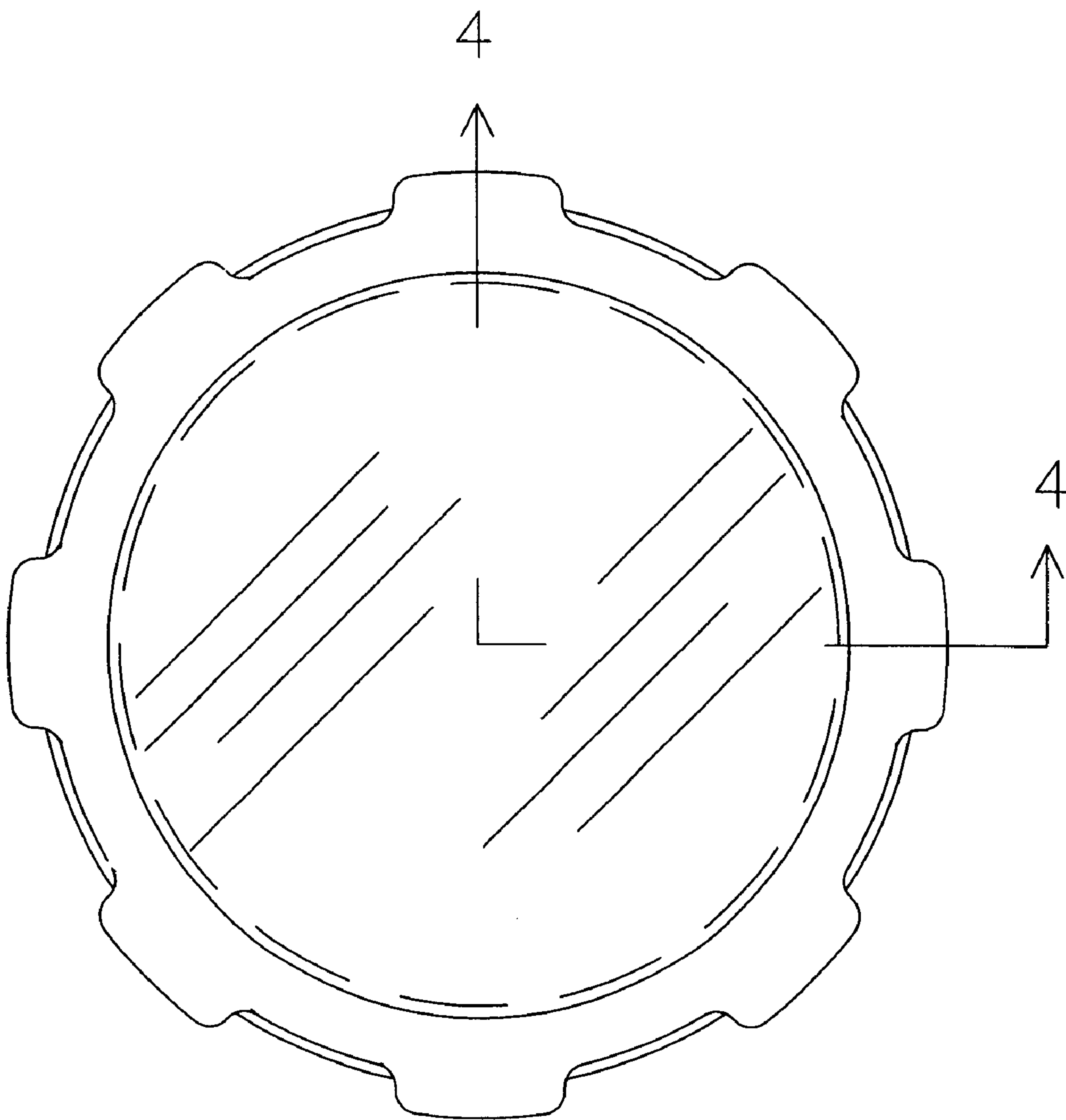


FIGURE 5

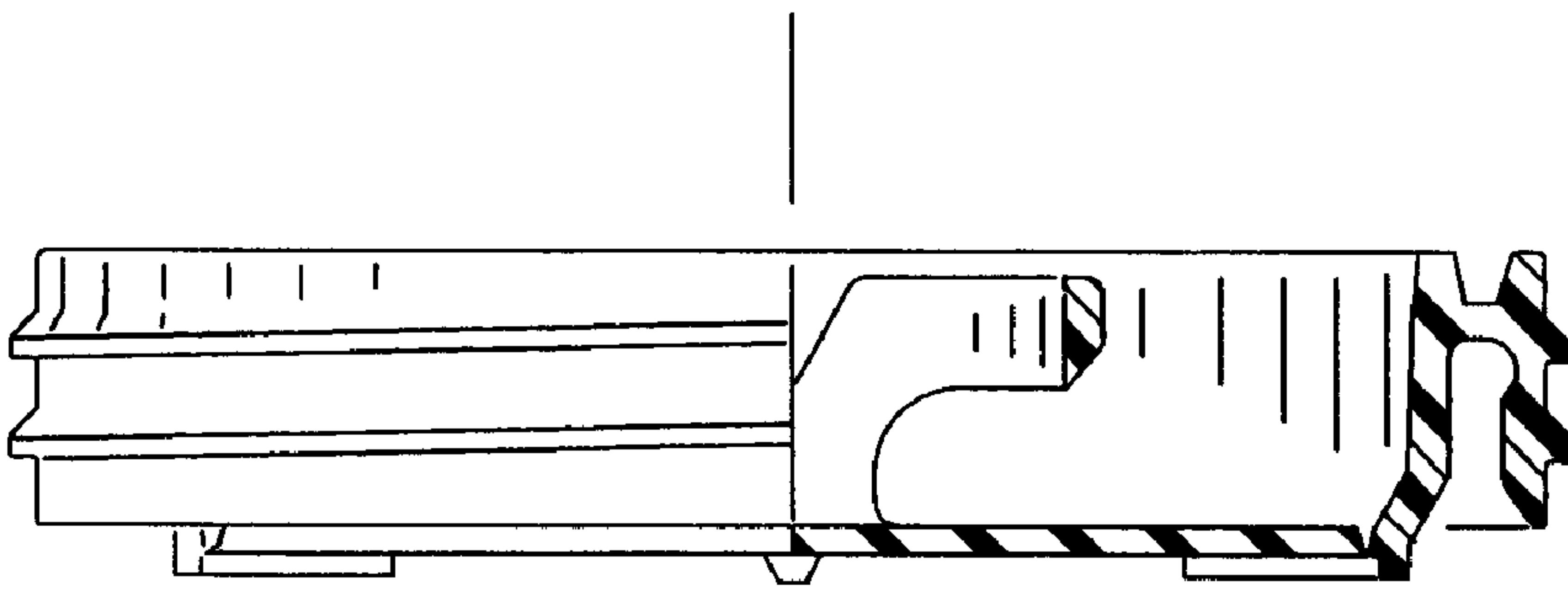


FIGURE 6

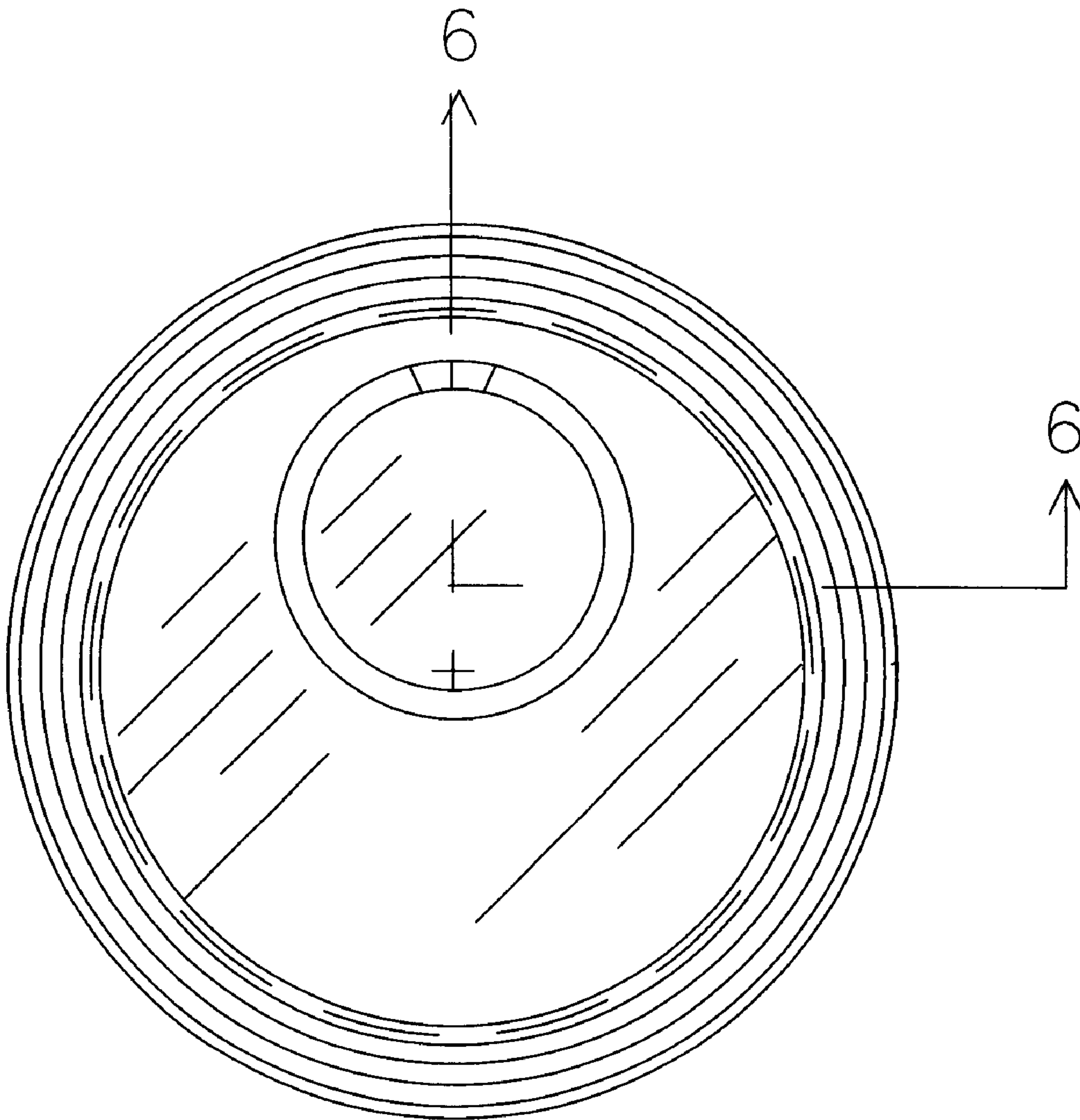


FIGURE 7