



US00D519835S

(12) **United States Design Patent** (10) **Patent No.:** **US D519,835 S**
Dubs et al. (45) **Date of Patent:** **** May 2, 2006**

(54) **GLASS PLUG FOR WINE BOTTLES**

(75) Inventors: **Hans-Dieter Dubs**, Worms (DE);
Siegfried Landskrone,
Kirchheimbolanden (DE); **Peter Seidel**,
Ober-Flörsheim (DE)

(73) Assignee: **Alcoa Deustschland GmbH** (DE)

(**) Term: **14 Years**

(21) Appl. No.: **29/208,872**

(22) Filed: **Jul. 8, 2004**

(30) **Foreign Application Priority Data**

Jan. 17, 2004 (EM) 133731

(51) **LOC (8) Cl.** **09-07**

(52) **U.S. Cl.** **D9/438**

(58) **Field of Classification Search** D9/564,
D9/551, 544, 529, 454, 447, 440, 439, 435,
D9/434, 668, 441; D6/542; D23/260, 233;
D7/398, 392.1, 396, 393, 213, 305, 317, 624.3,
D7/395; D1/130; 222/566-570, 544, 460;
220/715, 703; 215/386-387, 311; D19/85;
D8/310, 312

See application file for complete search history.

(56) **References Cited**

U.S. PATENT DOCUMENTS

D165,846 S	*	2/1952	Jageman	D7/396
D226,894 S	*	5/1973	Tegner	D8/310
D241,018 S	*	8/1976	De Amicus	D9/439
D280,080 S	*	8/1985	Miskinis	D9/439
D354,989 S	*	1/1995	West	D19/85
D420,589 S	*	2/2000	Baxter	D9/439
D453,472 S	*	2/2002	Kwong	D9/447

* cited by examiner

Primary Examiner—Robert M. Spear

Assistant Examiner—Susan Bennett Hattan

(74) *Attorney, Agent, or Firm*—Dickstein, Shapiro, Morin
& Oshinsky, L.L.P.

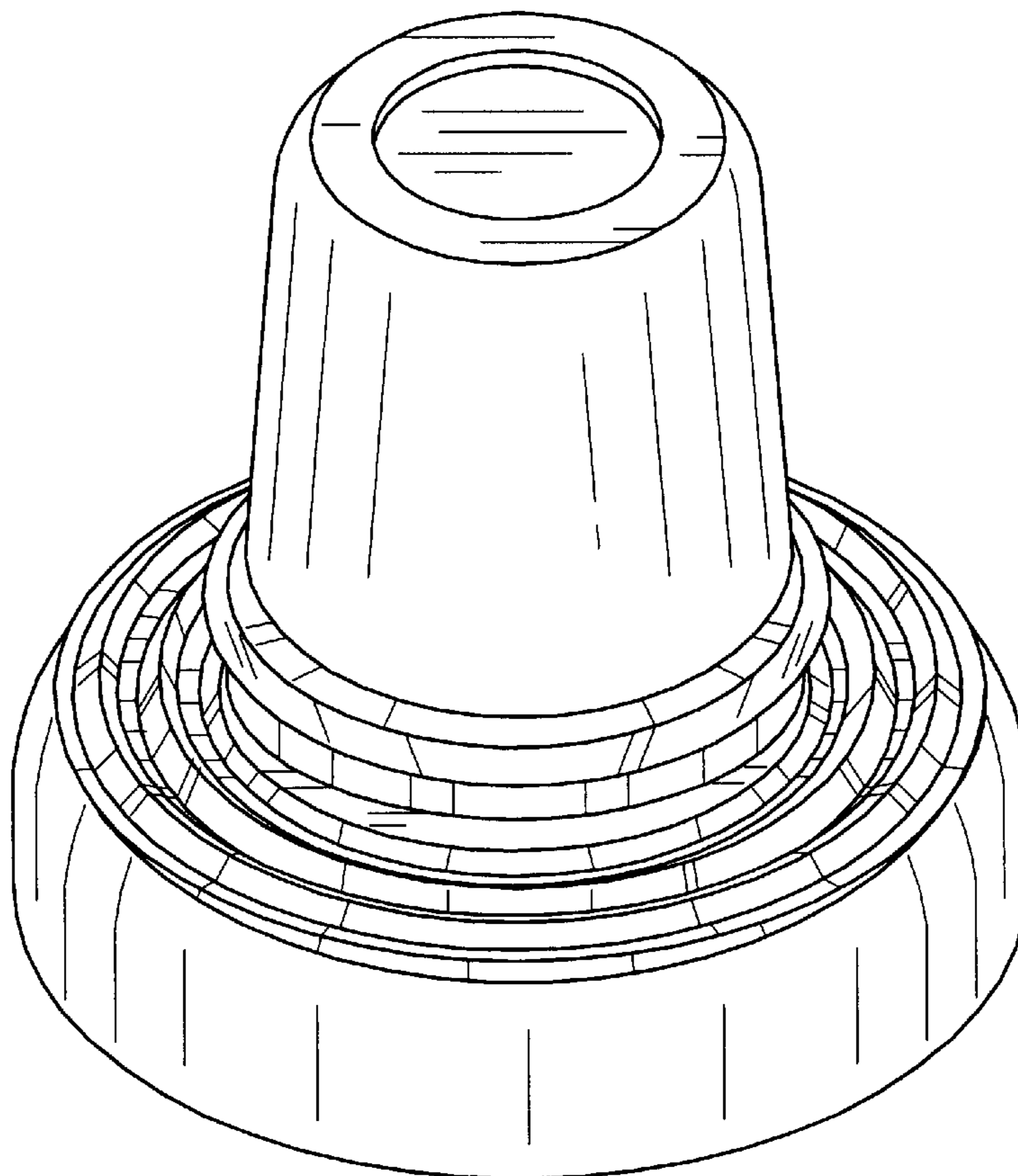
(57) **CLAIM**

The ornamental design for a glass plug for wine bottles, as shown and described.

DESCRIPTION

FIG. 1 is a perspective view of a glass plug for wine bottles showing our new design;
FIG. 2 is a side view thereof;
FIG. 3 is a bottom view thereof; and,
FIG. 4 is a top view thereof.

1 Claim, 3 Drawing Sheets



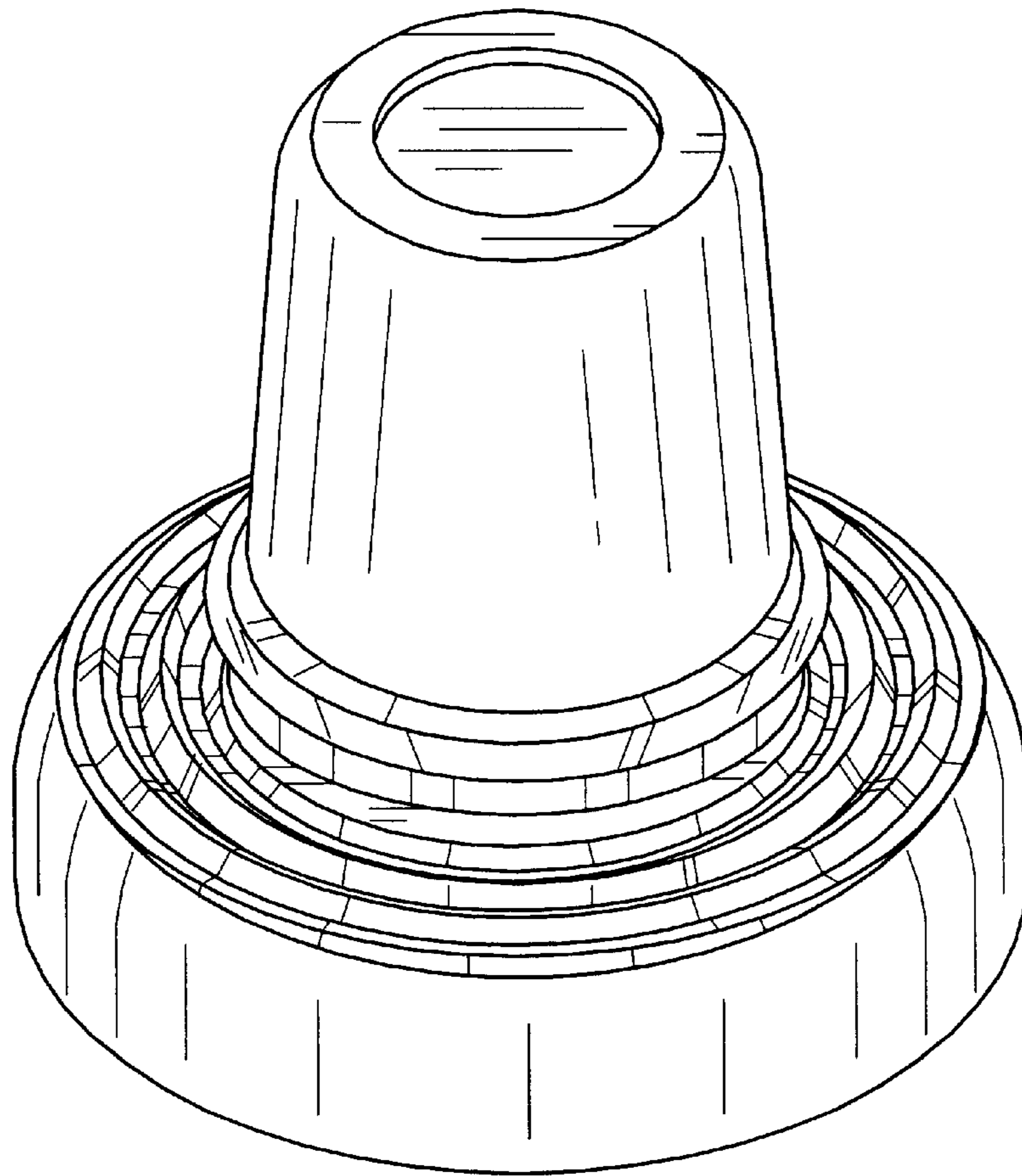


FIG. 1

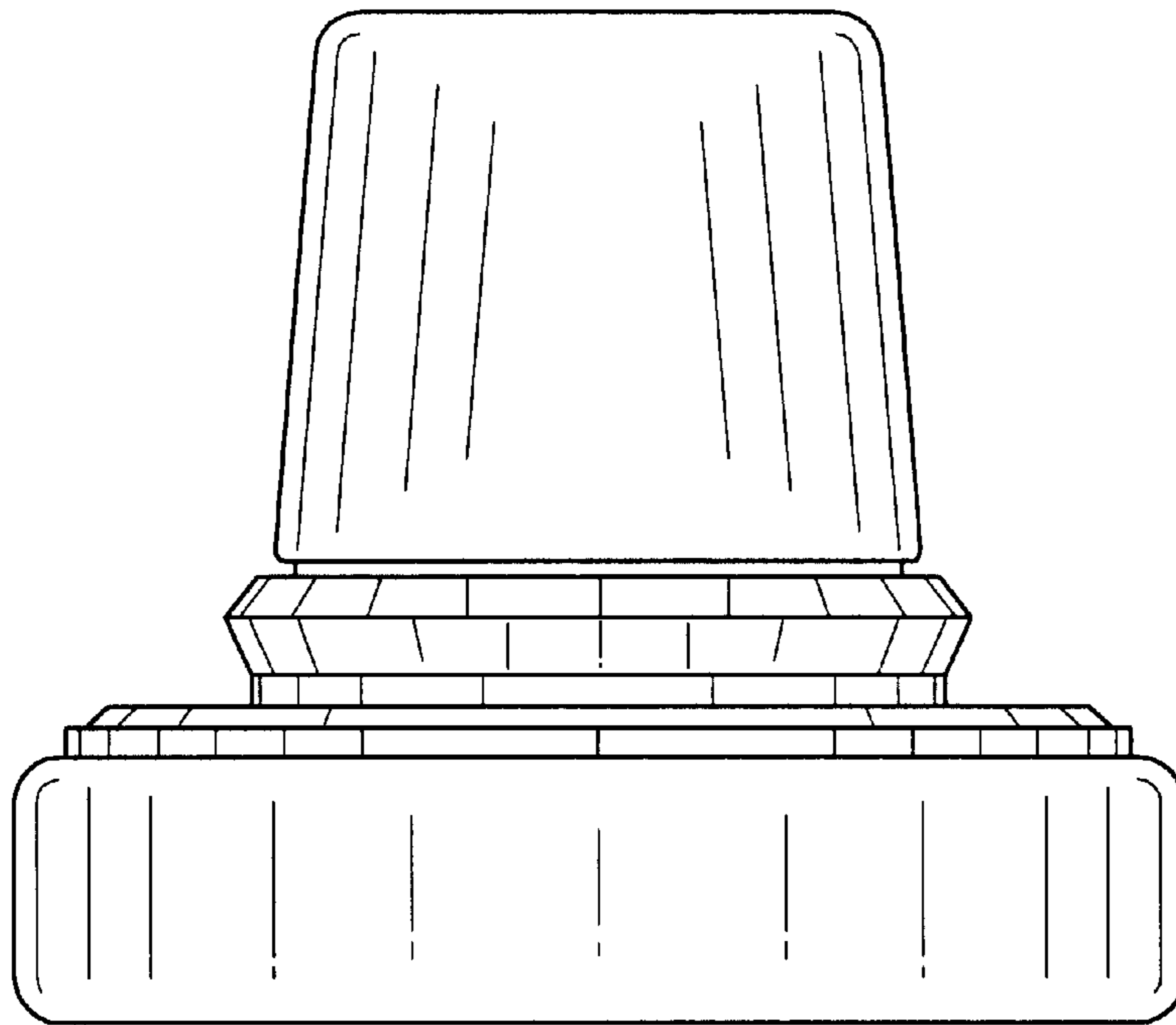


FIG. 2

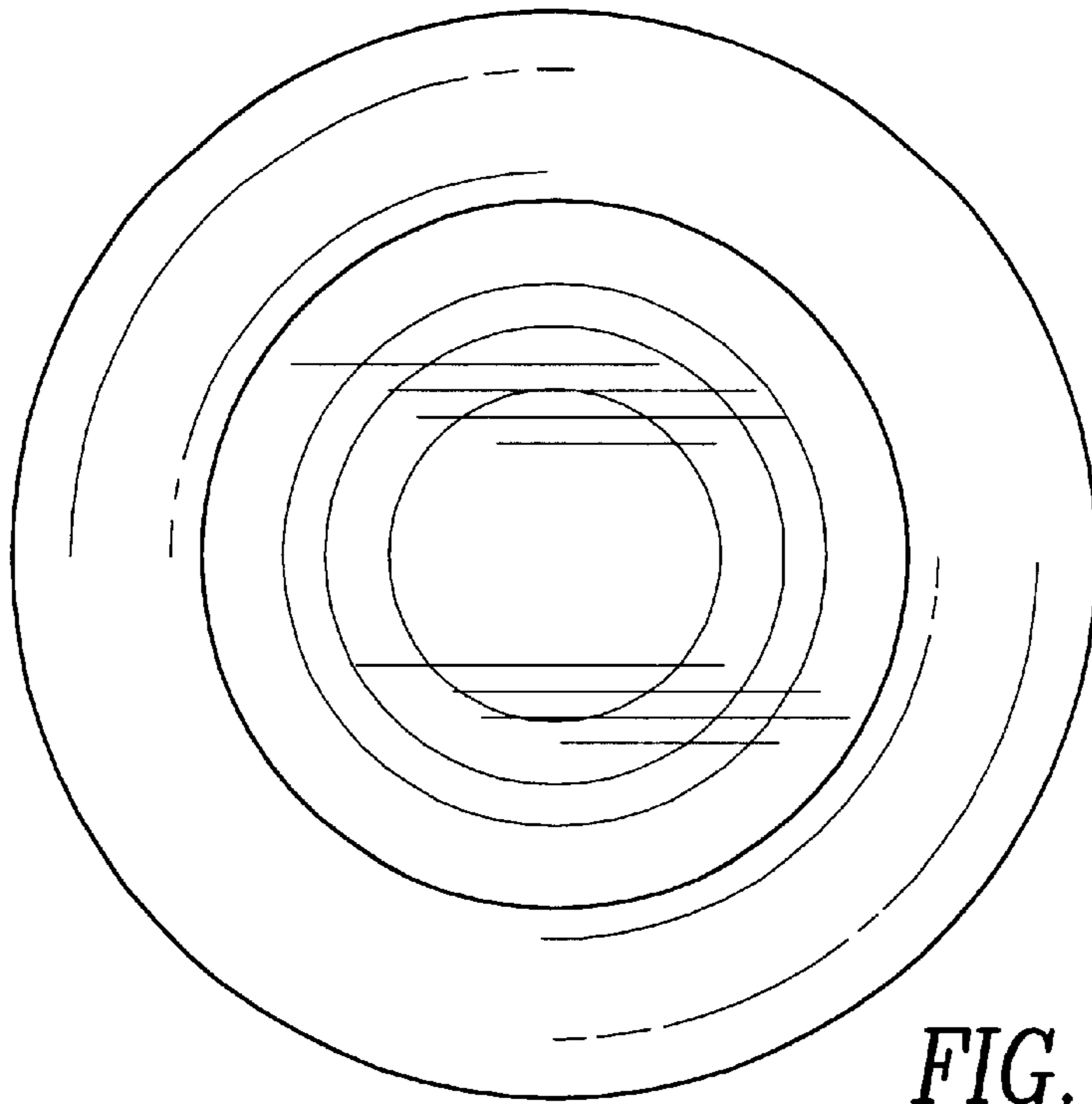


FIG. 3

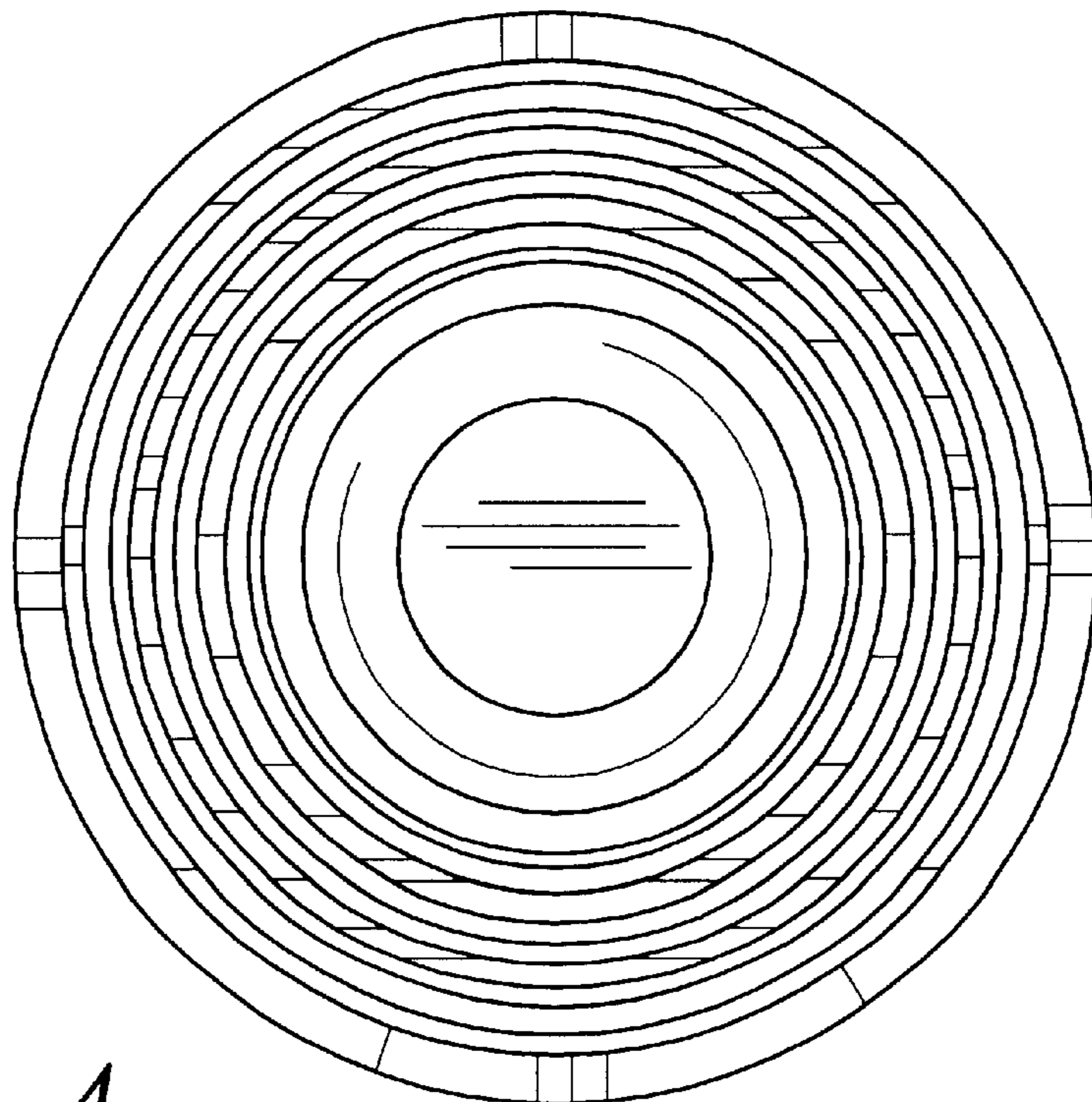


FIG. 4