



US00D519834S

(12) **United States Design Patent**
Novakovich et al.

(10) **Patent No.:** **US D519,834 S**

(45) **Date of Patent:** **** May 2, 2006**

(54) **ERGONOMIC HANDLE**

(75) Inventors: **Jeffrey P. Novakovich**, Scottsdale, AZ
(US); **John E. Mosca**, Scottsdale, AZ
(US); **Ronald W. Riley**, Carefree, AZ
(US)

(73) Assignee: **ADd-Handle, Inc.**, Scottsdale, AZ (US)

(**) Term: **14 Years**

(21) Appl. No.: **29/208,692**

(22) Filed: **Jun. 25, 2004**

(51) **LOC (8) Cl.** **09-07**

(52) **U.S. Cl.** **D9/434**

(58) **Field of Classification Search** D9/434,
D9/433, 432; 220/528; 229/117.16, 117.9,
229/117.17, 103, 103.3, 116.1, 5.5, 906, 122;
294/171, 137

See application file for complete search history.

(56) **References Cited**

U.S. PATENT DOCUMENTS

874,515	A	12/1907	Lorenz	
1,819,142	A	8/1931	Wily	
2,004,396	A	6/1935	Sage	
2,846,134	A	8/1958	Moubayed	
3,688,935	A	9/1972	Owen et al.	
D239,919	S	* 5/1976	Wilson	D9/434
4,871,264	A	10/1989	Robbins, III et al.	
D317,246	S	6/1991	Driscoll	
D325,156	S	* 4/1992	Sweeny	D9/434
5,257,845	A	11/1993	McConnell	
5,658,029	A	8/1997	Franko	
D442,085	S	* 5/2001	Bozlee	D9/434

6,234,946	B1	5/2001	Fricano	
D451,390	S	* 12/2001	Bozlee	D9/434
6,378,925	B1	* 4/2002	Greenlee	294/171
D502,872	S	* 3/2005	Fleming	D9/434
D503,098	S	* 3/2005	Burr et al.	D9/434
D503,101	S	* 3/2005	Burr et al.	D9/434
D503,102	S	* 3/2005	Burr et al.	D9/434
D503,104	S	* 3/2005	Burr et al.	D9/434
D503,106	S	* 3/2005	Burr et al.	D9/434
D503,108	S	* 3/2005	Burr et al.	D9/434
D503,338	S	* 3/2005	Burr et al.	D9/434

* cited by examiner

Primary Examiner—Robert M. Spear

Assistant Examiner—Susan Bennett Hattan

(74) *Attorney, Agent, or Firm*—Step toe & Johnson LLP;
Tyson Y. Winarski

(57) **CLAIM**

The ornamental design for a ergonomic handle, as shown and described.

DESCRIPTION

FIG. 1 illustrates a bottom isometric view of an ergonomic handle in a folded configuration;

FIG. 2 illustrates a top isometric view thereof;

FIG. 3 illustrates a top view of the ergonomic handle in an unfolded configuration;

FIG. 4 illustrates an edge view thereof;

FIG. 5 illustrates a left end view of the ergonomic handle in an open configuration;

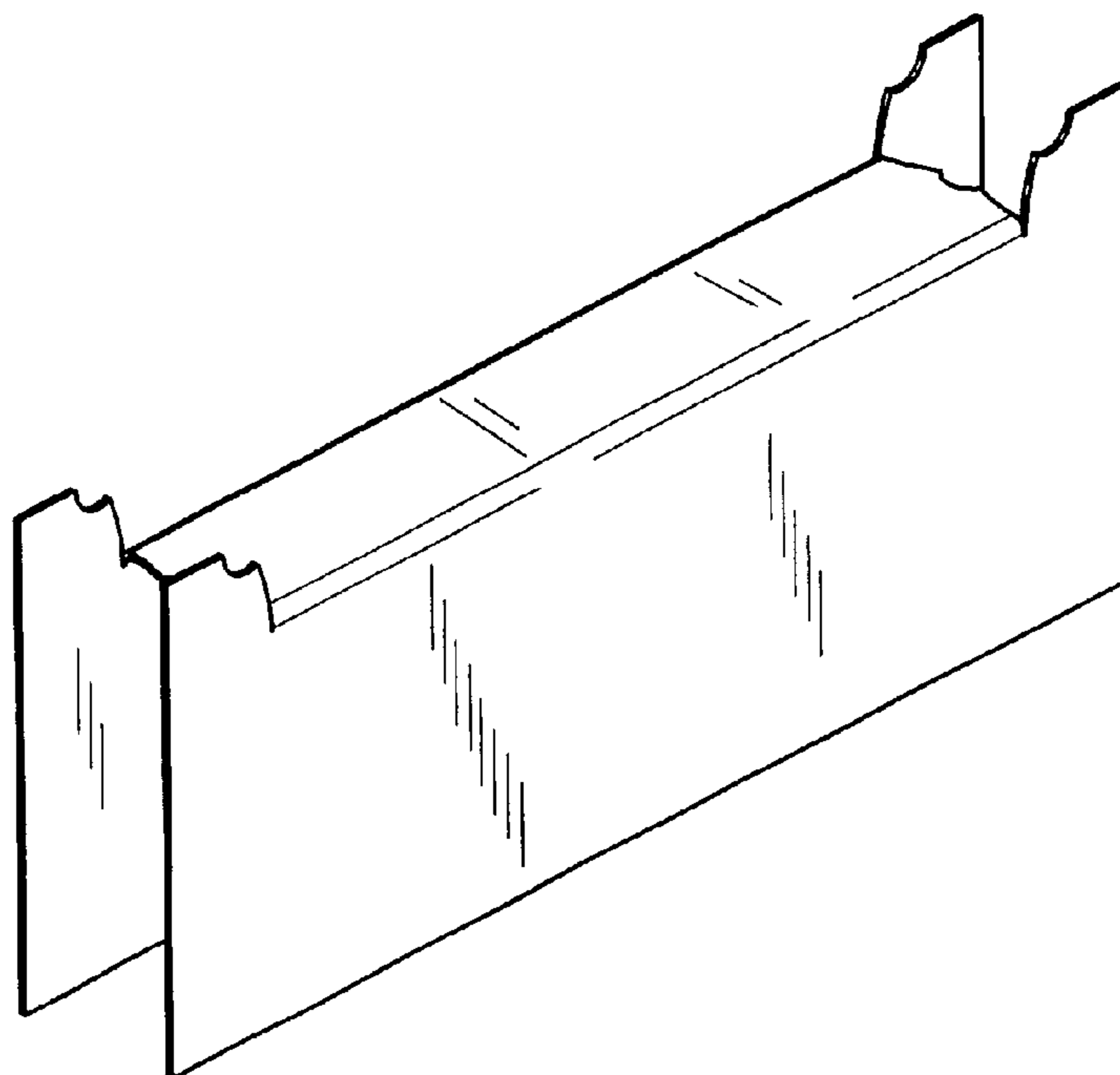
FIG. 6 illustrates a top view thereof;

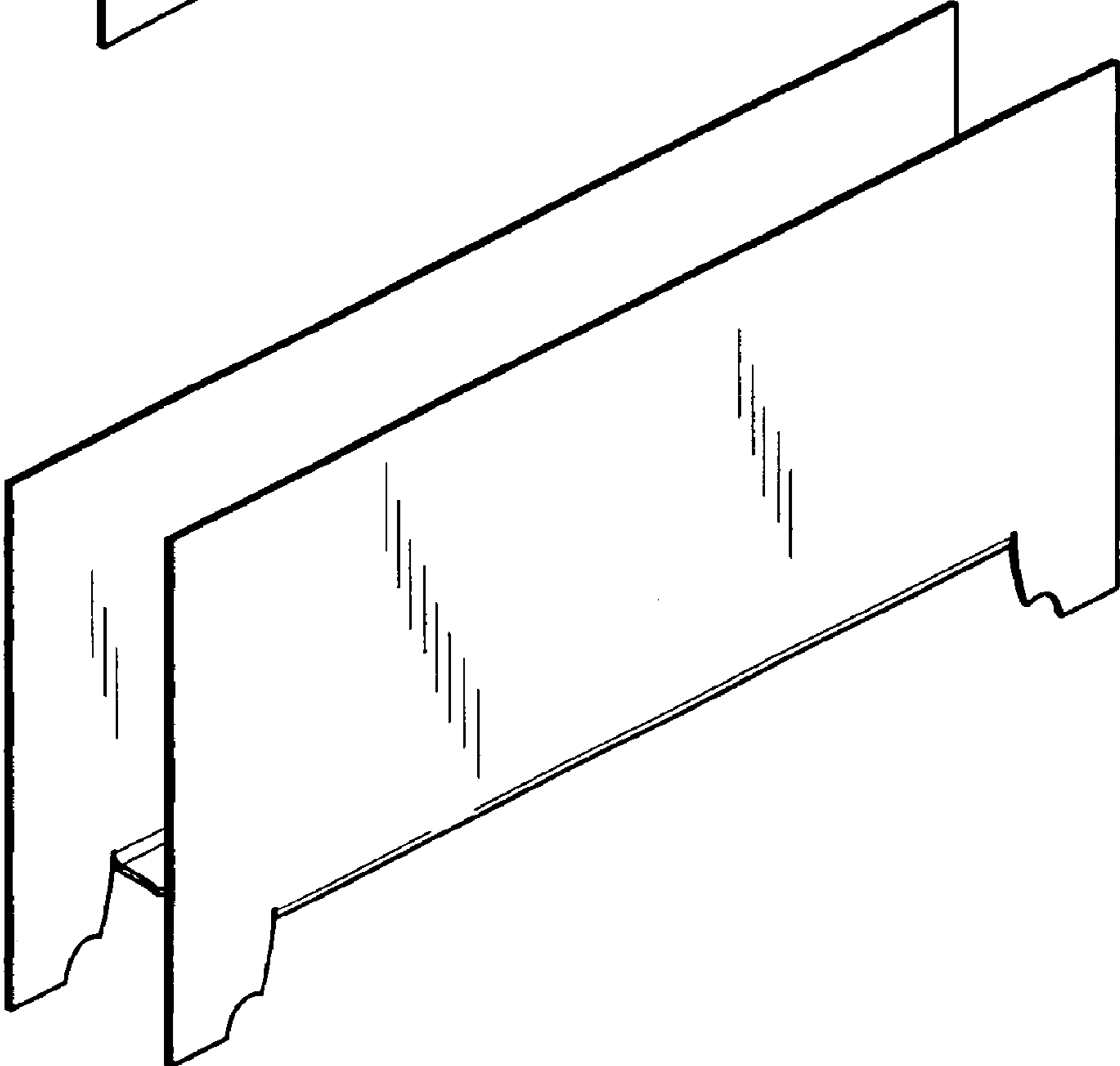
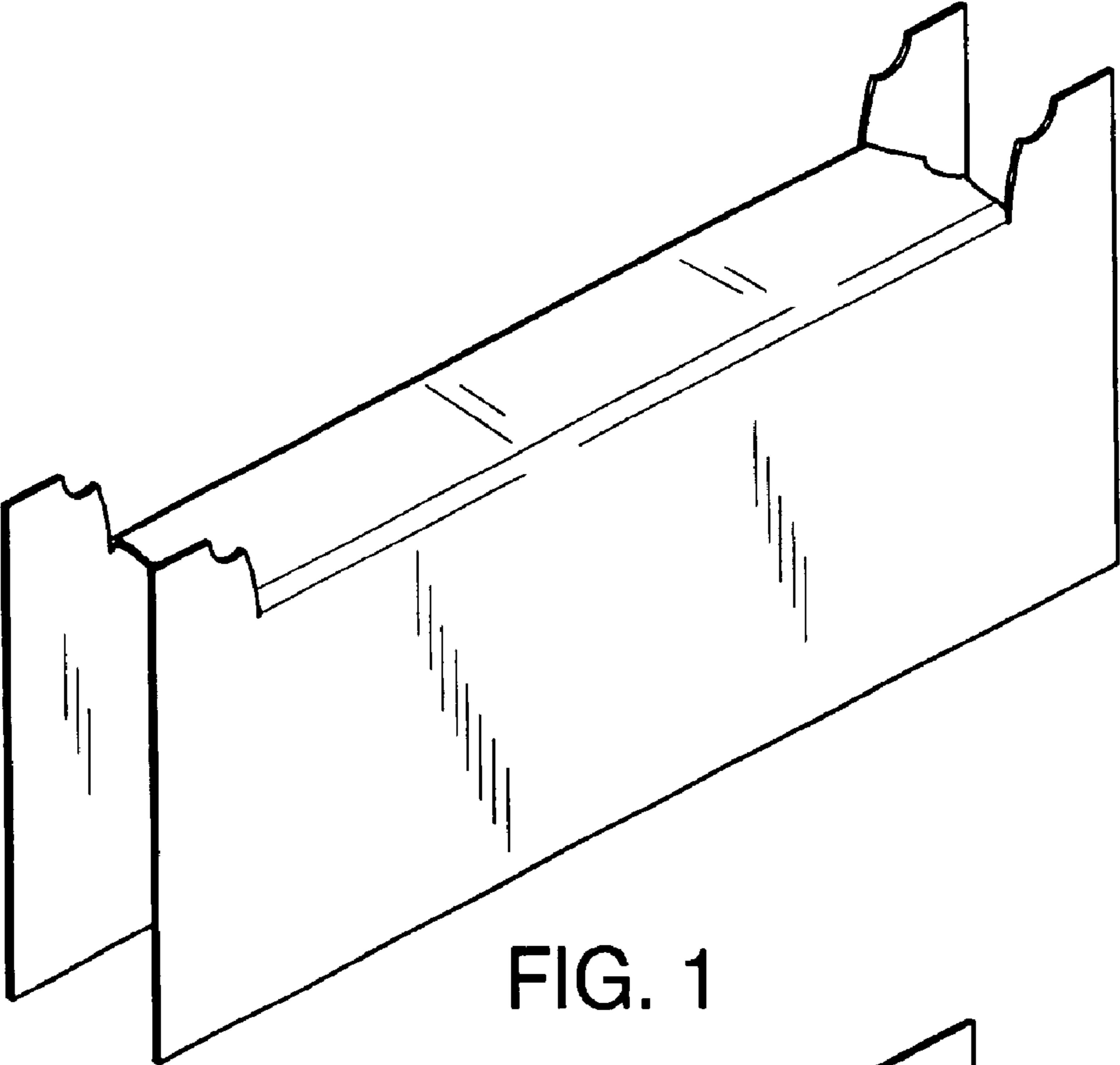
FIG. 7 illustrates a side view thereof;

FIG. 8 illustrates a bottom view thereof; and,

FIG. 9 illustrates a right end view thereof.

1 Claim, 3 Drawing Sheets





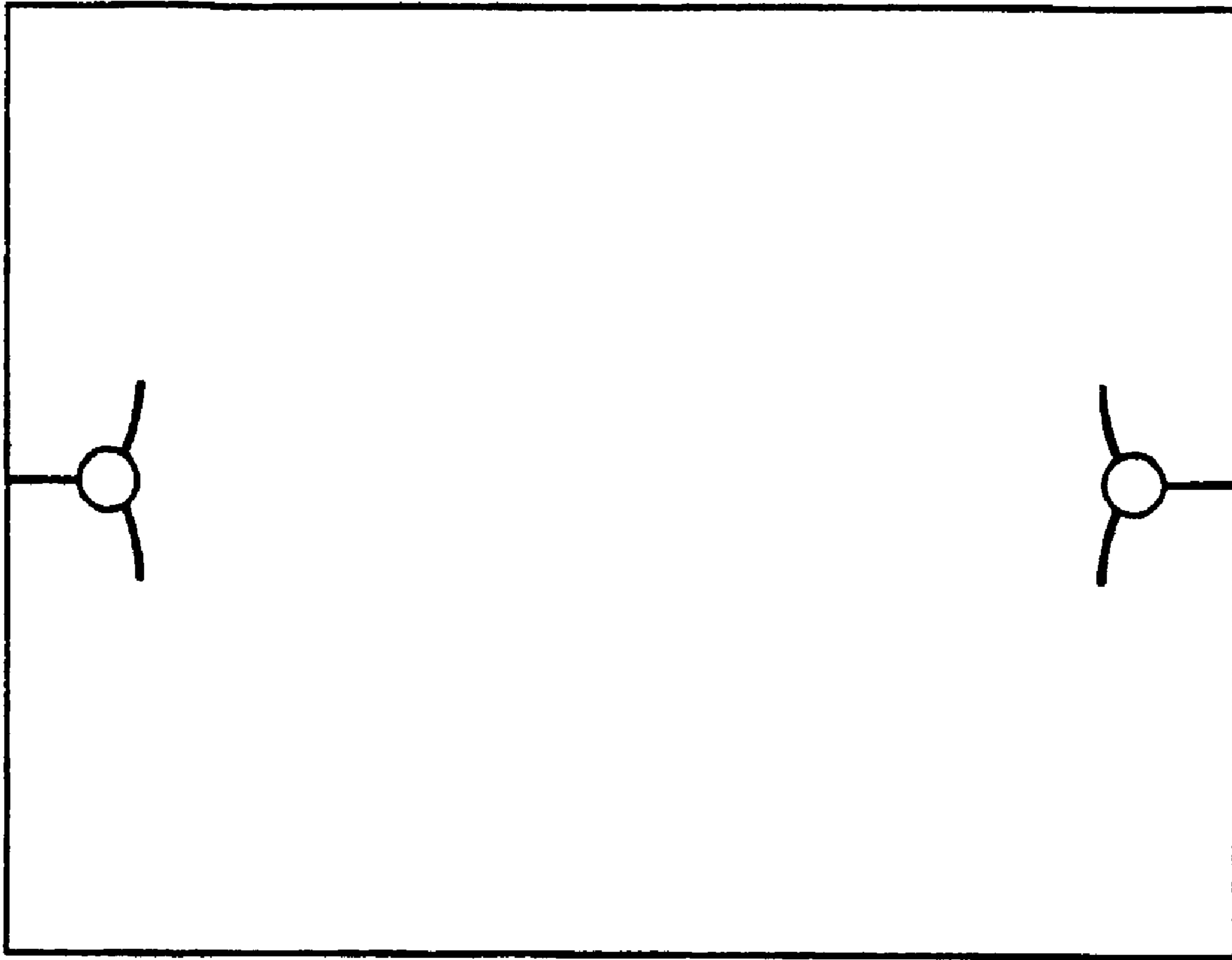


FIG. 3



FIG. 4



FIG. 5

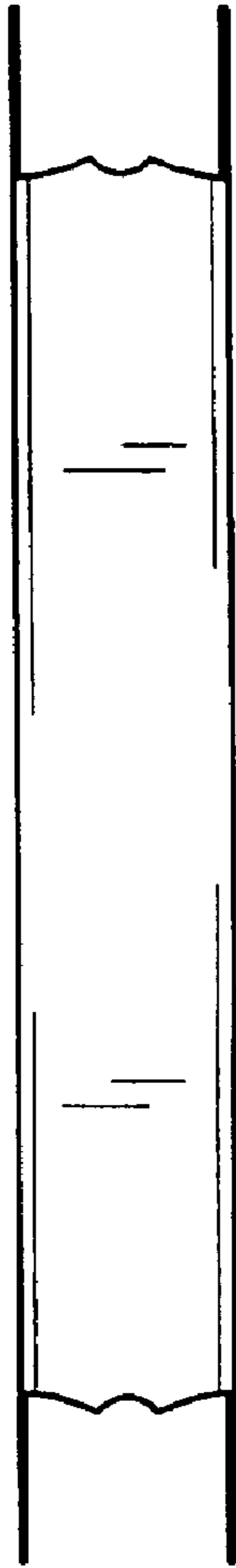


FIG. 6

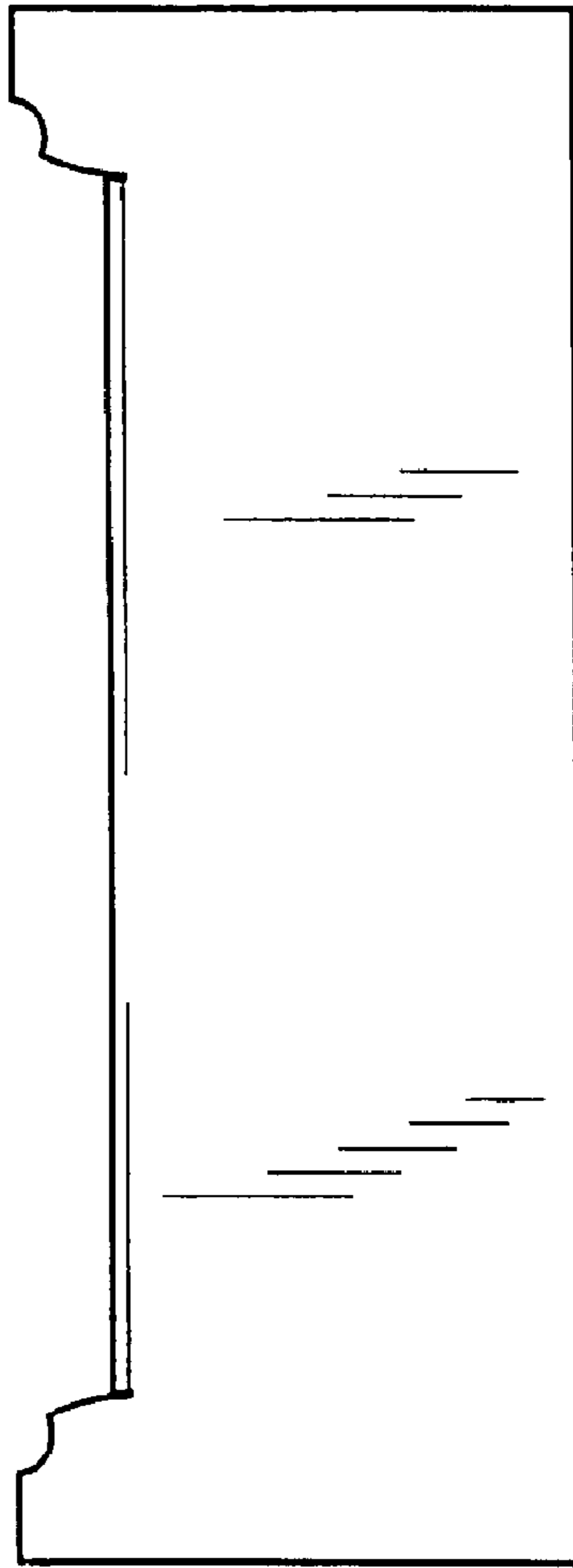


FIG. 7

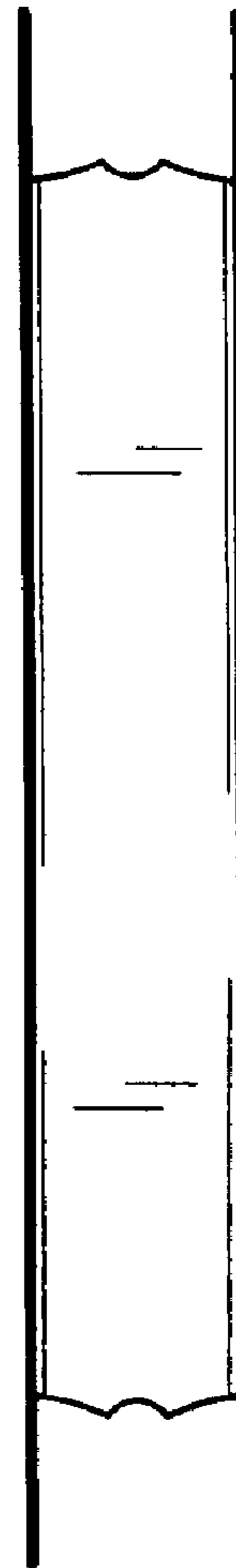


FIG. 8



FIG. 9