



US00D519831S

(12) **United States Design Patent**
de Cleir et al.

(10) **Patent No.:** **US D519,831 S**

(45) **Date of Patent:** **** May 2, 2006**

(54) **CONTAINER**

(75) Inventors: **Piaras Valdis de Cleir**, Sleepy Hollow,
NY (US); **Joseph Perushek**, Brooklyn,
WI (US)

(73) Assignee: **Kraft Foods Holdings, Inc.**, Northfield,
IL (US)

(**) **Term:** **14 Years**

(21) **Appl. No.:** **29/204,846**

(22) **Filed:** **May 5, 2004**

(51) **LOC (8) Cl.** **09-03**

(52) **U.S. Cl.** **D9/428**

(58) **Field of Classification Search** D9/428,
D9/429, 430, 431; D7/509, 523, 527, 528;
206/515; 220/657-659, 669-671, 674, 675
See application file for complete search history.

(56) **References Cited**

U.S. PATENT DOCUMENTS

D192,435 S	*	3/1962	Goodman	D7/531
3,082,900 A	*	3/1963	Goodman	220/592.17
D204,212 S	*	3/1966	Davis	D9/429
D264,686 S		6/1982	Davis		
D265,462 S		7/1982	Andrulionis et al.		
D298,303 S	*	11/1988	Lee	D11/152
D320,744 S		10/1991	Palisin, Jr.		
D320,745 S		10/1991	Palisin, Jr.		
D321,652 S		11/1991	Palisin, Jr.		
D322,032 S		12/1991	Palisin, Jr.		
D322,033 S		12/1991	Palisin, Jr. et al.		
D336,041 S		6/1993	Zama		

D342,447 S	12/1993	Aylward
D353,337 S	12/1994	Halasz et al.
D355,368 S	2/1995	Gruodis
D364,564 S	11/1995	Moore
D375,683 S	11/1996	Schoff
D414,413 S	9/1999	Brown
D438,794 S	3/2001	Miles et al.
D452,433 S	12/2001	Lazaris
D452,434 S	12/2001	Sweeney
D452,821 S	1/2002	Westphal
D473,463 S	4/2003	Armstrong et al.
6,708,824 B1 *	3/2004	Sahm, III 206/505

* cited by examiner

Primary Examiner—Stella Reid

Assistant Examiner—Derrick Holland

(74) *Attorney, Agent, or Firm*—Fitch, Even, Tabin &
Flannery

(57) **CLAIM**

We claim the ornamental design for a container, as shown
and described.

DESCRIPTION

FIG. 1 is a perspective view showing our new design,
comprising a container;

FIG. 2 is a front elevation view of the container of FIG. 1,
the back, right side, and left side elevation views being
identical thereto;

FIG. 3 is a top plan view of the container of FIG. 1; and,
FIG. 4 is a bottom plan view of the container of FIG. 1.

Portions of the container shown in broken lines in FIGS. 3-4
are for illustrative purposes only and form no part of the
claimed design.

1 Claim, 1 Drawing Sheet

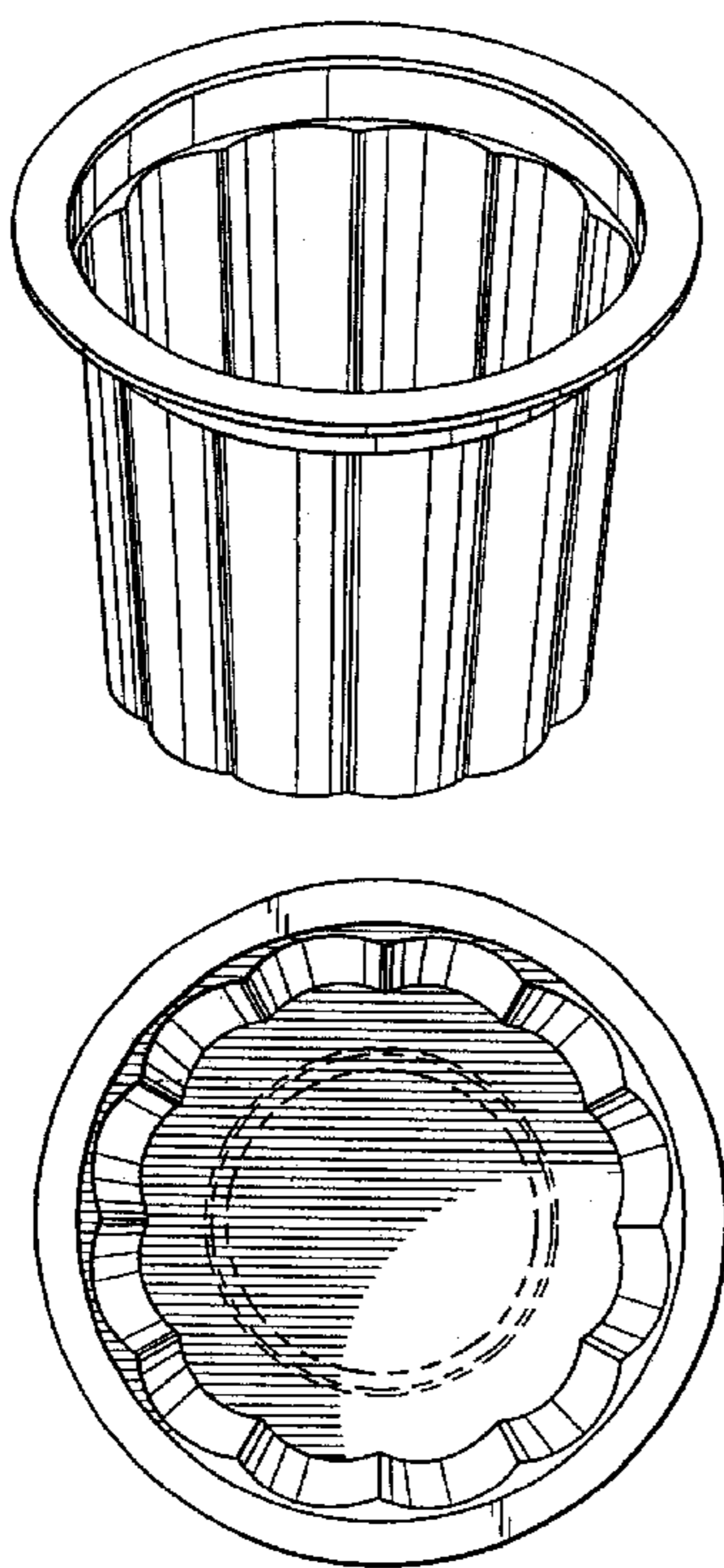


Fig. 1

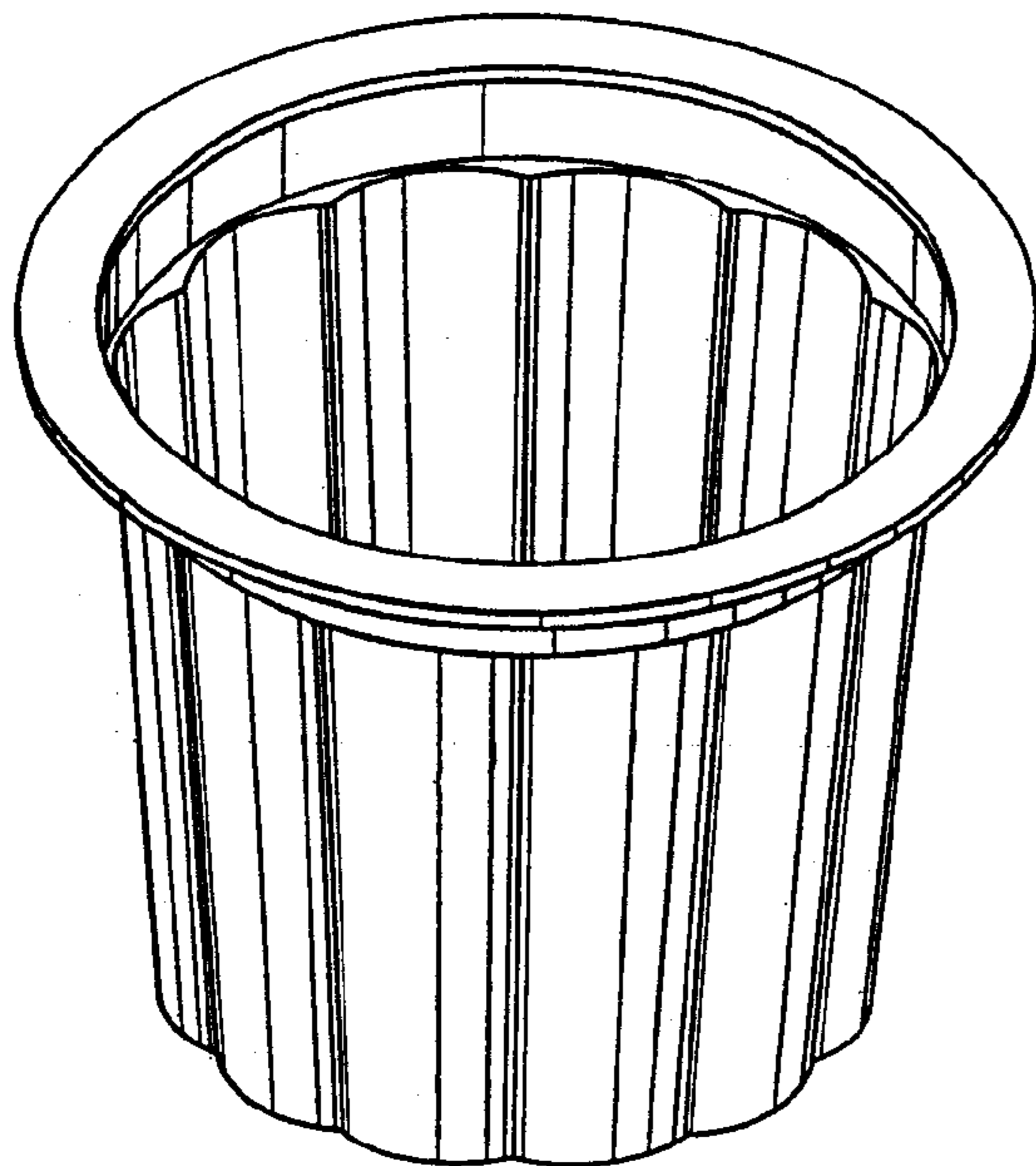


Fig. 2

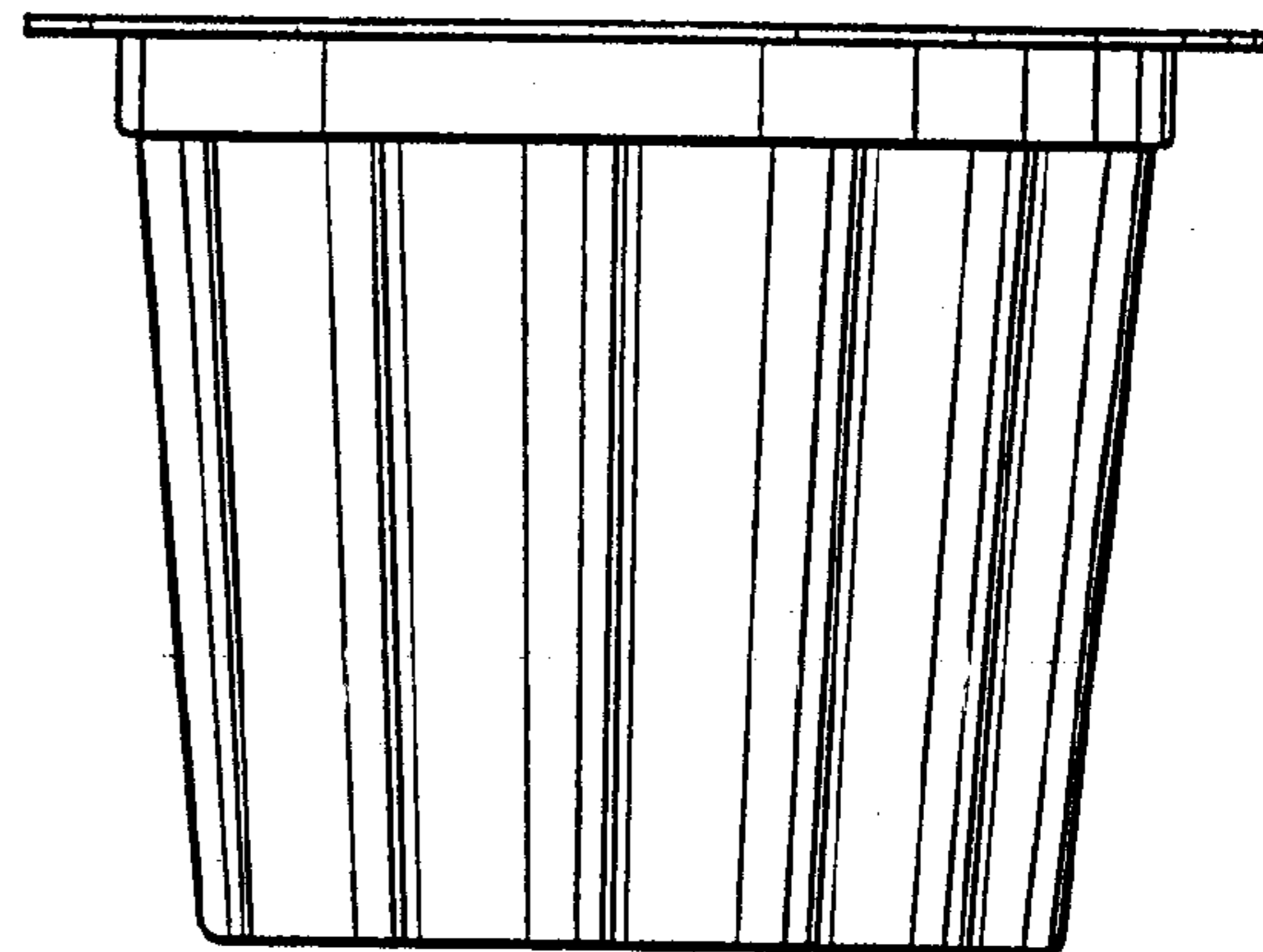


Fig. 3

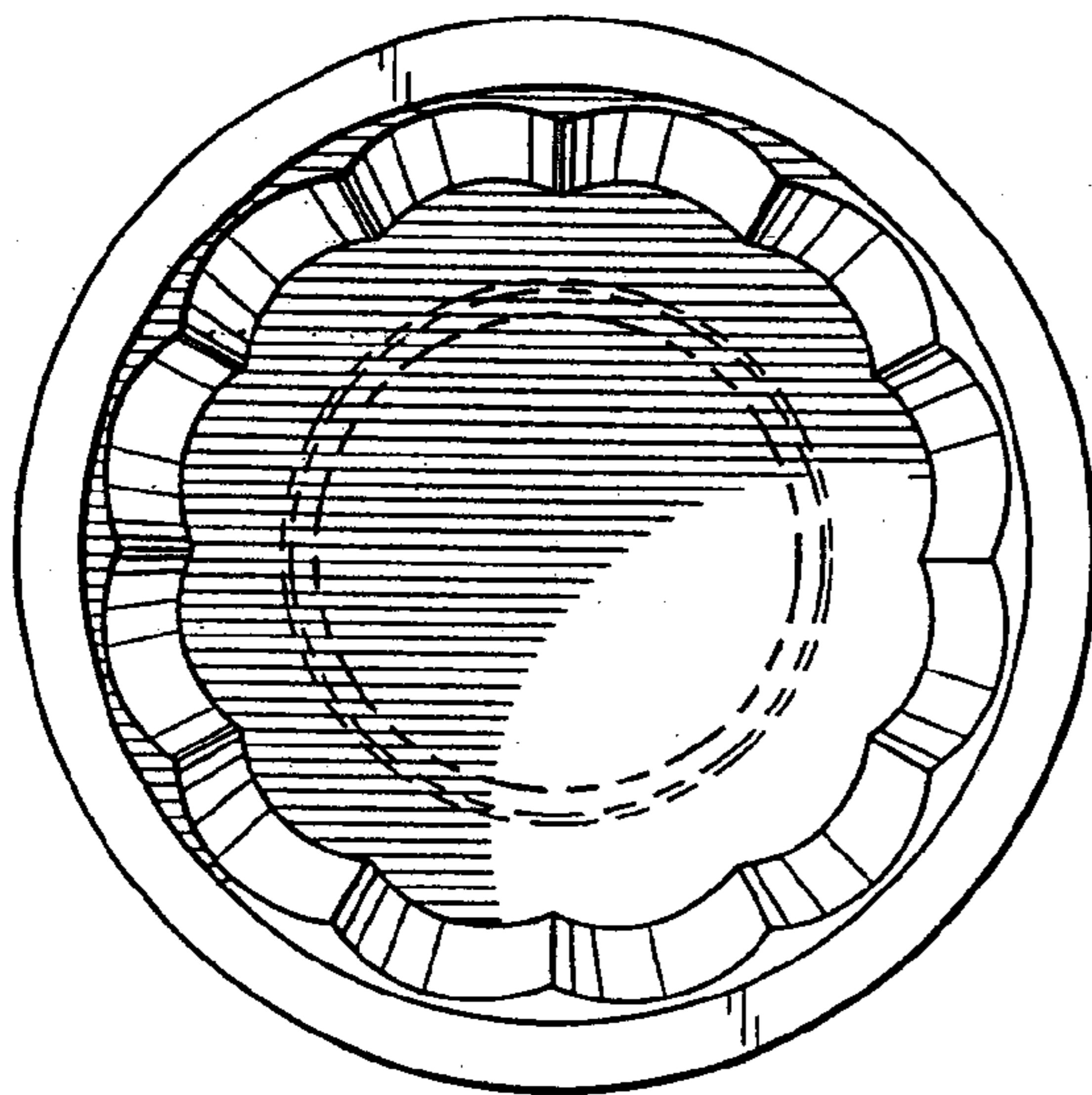


Fig. 4

