



US00D519830S

(12) **United States Design Patent**
Yocum

(10) **Patent No.:** **US D519,830 S**

(45) **Date of Patent:** **** May 2, 2006**

(54) **CLAMSHELL FOOD SERVICE CONTAINER**

(75) Inventor: **James A. Yocum**, West Chester, PA
(US)

(73) Assignee: **Dopaco, Inc.**, Exton, PA (US)

(**) Term: **14 Years**

(21) Appl. No.: **29/214,112**

(22) Filed: **Sep. 29, 2004**

(51) **LOC (8) Cl.** **09-03**

(52) **U.S. Cl.** **D9/420**

(58) **Field of Classification Search** D9/420,
D9/414, 417, 418, 423, 424, 430, 431; 229/406,
229/407, 902, 905, 906, 938; 206/461, 541
See application file for complete search history.

(56) **References Cited**

U.S. PATENT DOCUMENTS

3,902,540	A	*	9/1975	Commisso	220/4.24
D399,737	S	*	10/1998	Zuhlke et al.	D9/423
D470,767	S	*	2/2003	Meyer et al.	D9/426
D484,043	S	*	12/2003	Hwang et al.	D9/415
D490,309	S	*	5/2004	Hayes et al.	D9/425

* cited by examiner

Primary Examiner—Stella Reid

Assistant Examiner—Derrick Holland

(74) *Attorney, Agent, or Firm*—Dennison, Schultz,
Dougherty & MacDonald

(57) **CLAIM**

The ornamental design for a clamshell food service container, as shown.

DESCRIPTION

FIG. 1 is a top left front perspective view of a clamshell food service container showing my new design;

FIG. 2 is a front elevation view thereof;

FIG. 3 is a left end elevation view thereof;

FIG. 4 is a rear elevation view thereof;

FIG. 5 is a right end elevation view thereof;

FIG. 6 is a top plan view thereof;

FIG. 7 is a bottom plan view thereof;

FIG. 8 is a top left front perspective of a clamshell food service container of FIG. 1, but showing the container in its open position;

FIG. 9 is a top left front perspective view of a second embodiment of a clamshell food service container showing my new design;

FIG. 10 is a front elevation view thereof;

FIG. 11 is a left end elevation view thereof;

FIG. 12 is a rear elevation view thereof;

FIG. 13 is a right end elevation view thereof;

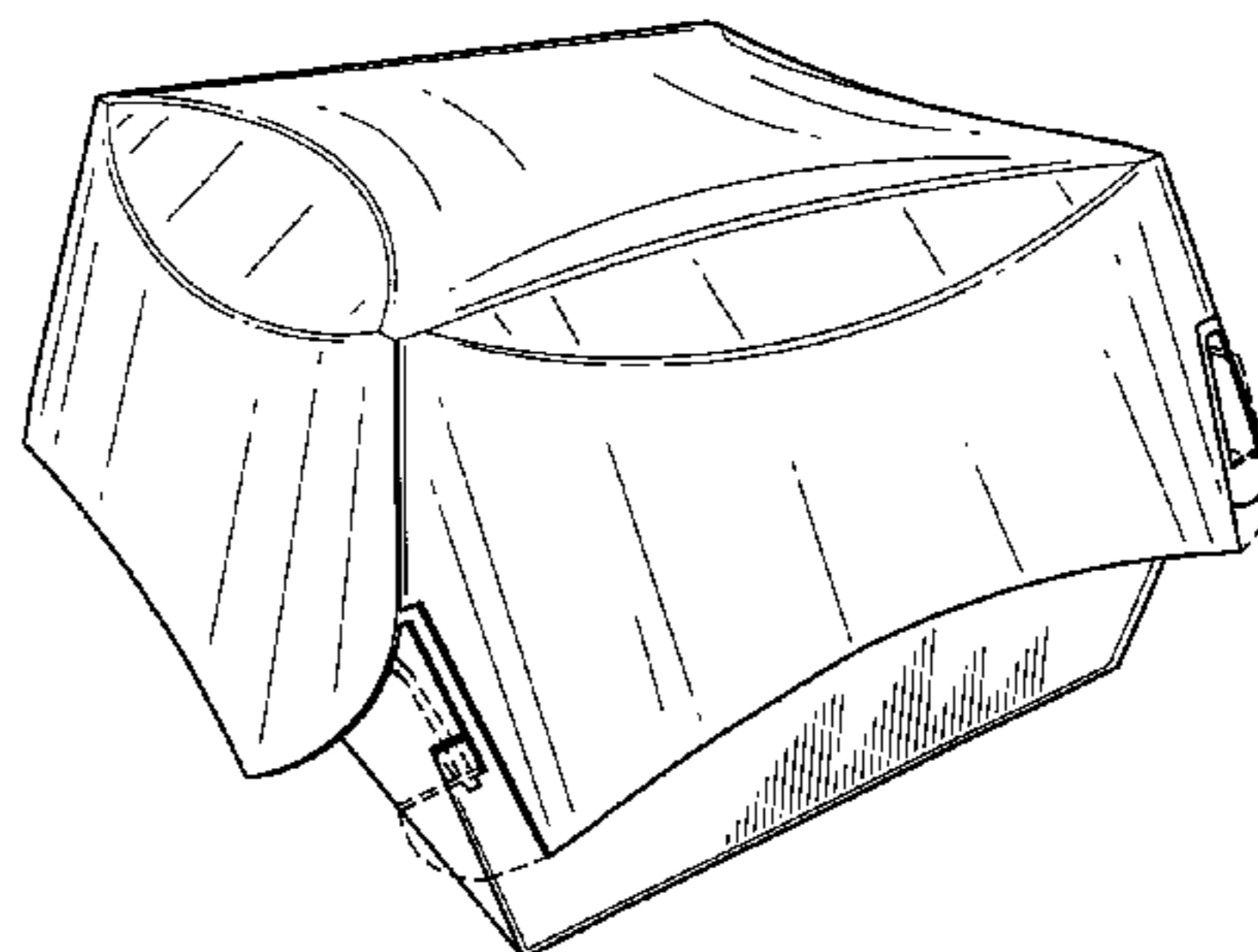
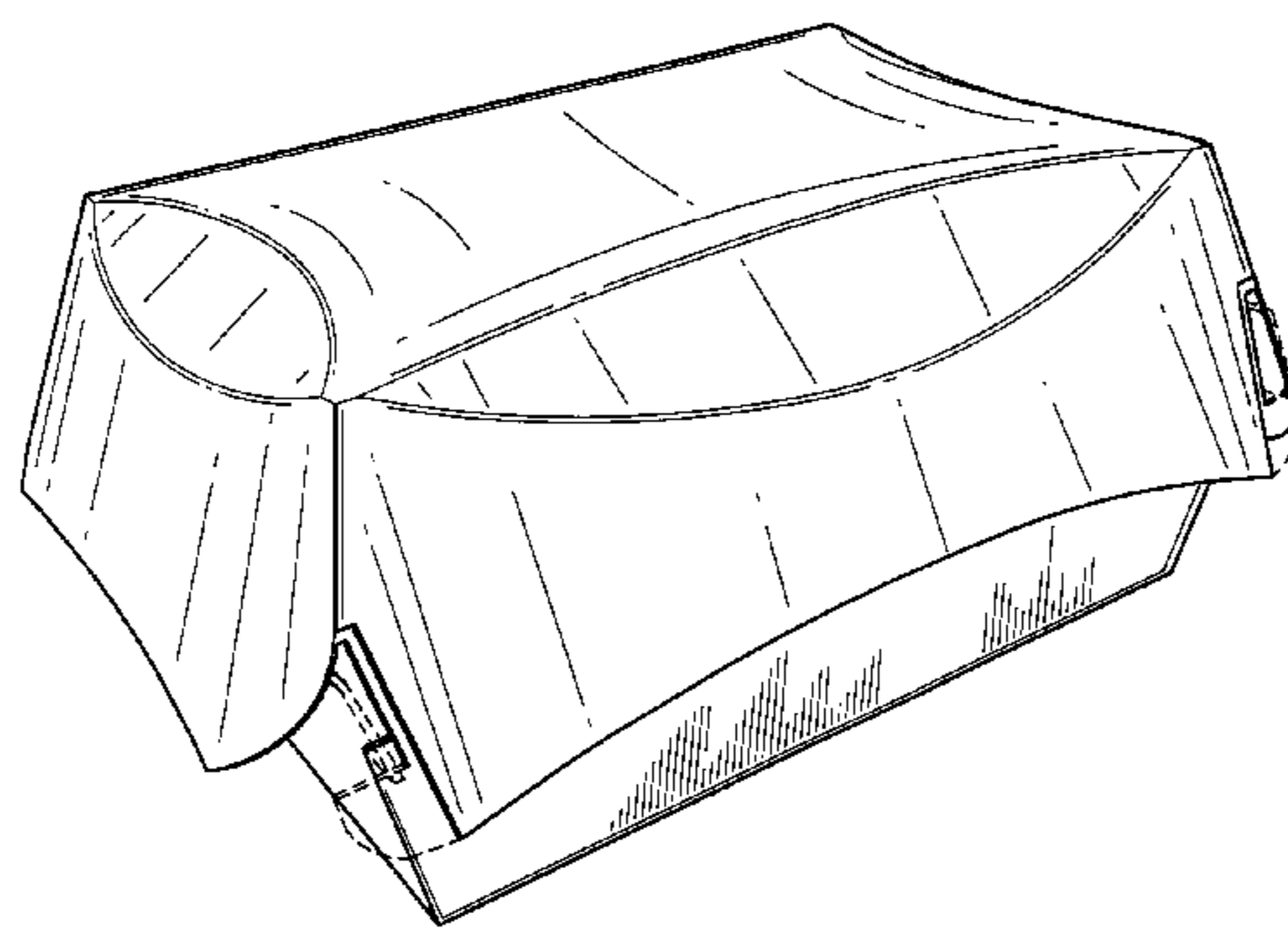
FIG. 14 is a top plan view thereof;

FIG. 15 is a bottom plan view thereof; and,

FIG. 16 is a top left front perspective of a clamshell food service container of FIG. 9, but showing the container in its open position.

The broken lines showing is for illustrative purposes only and forms no part of the claimed design.

1 Claim, 8 Drawing Sheets



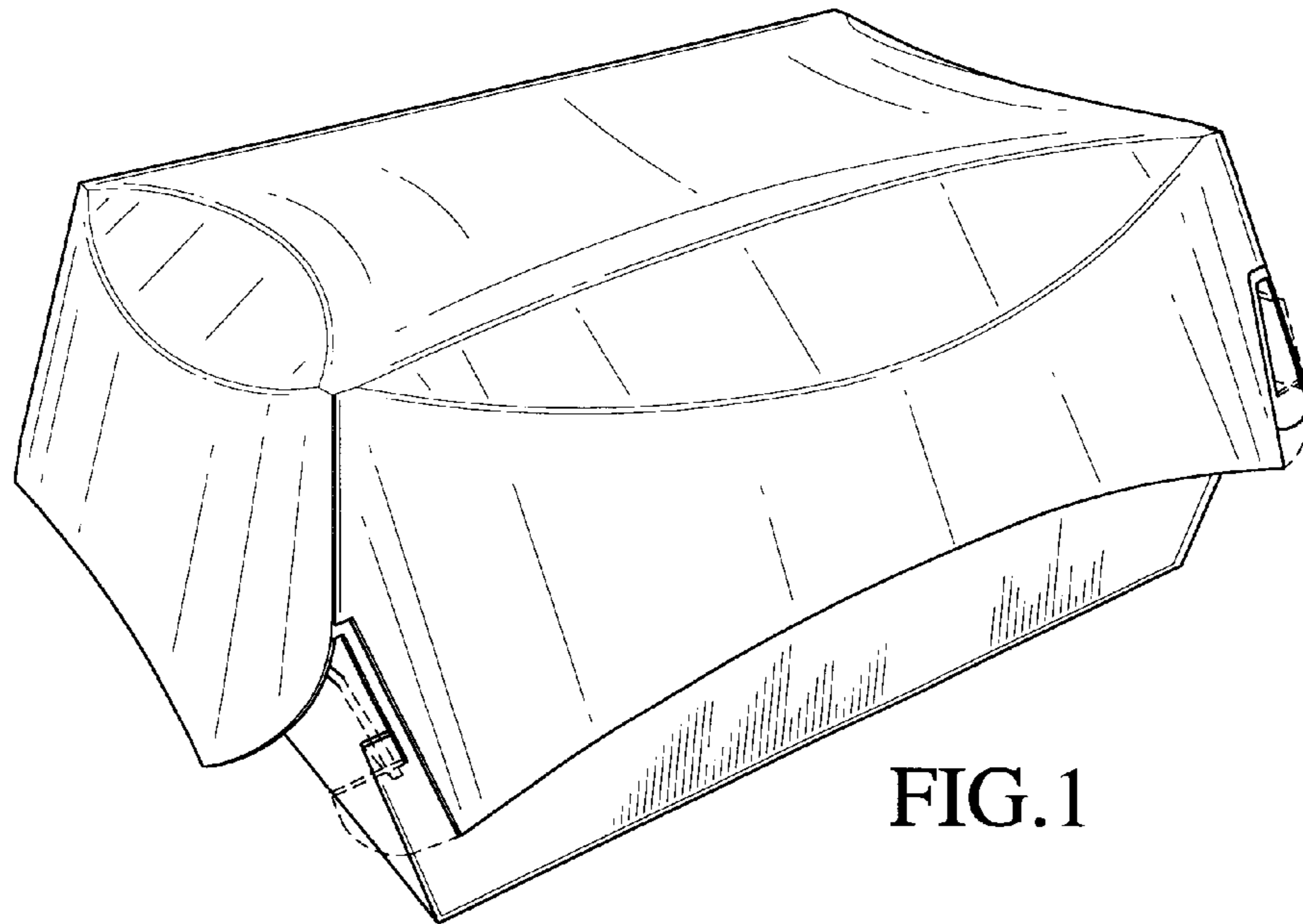


FIG. 1

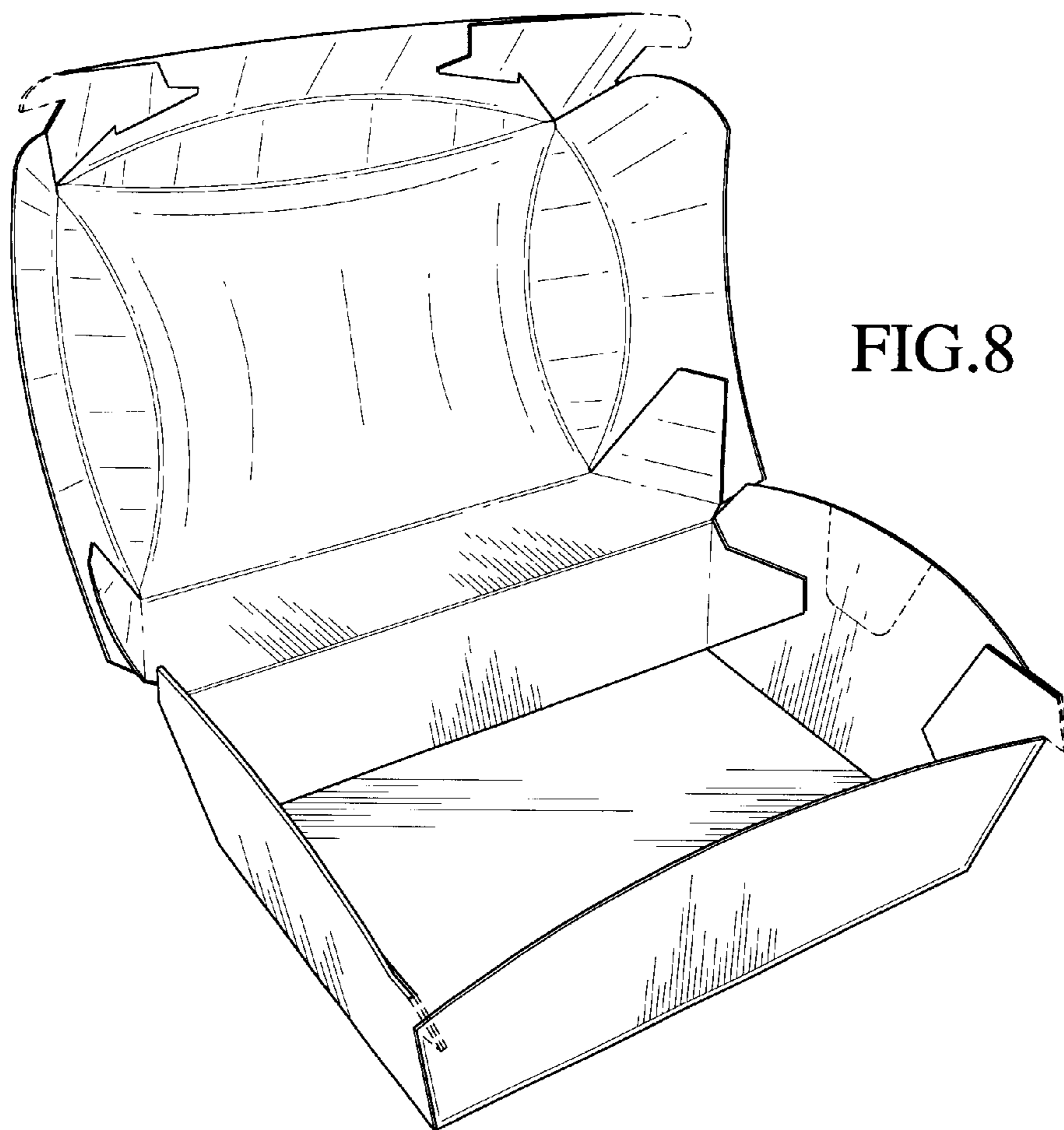


FIG. 8

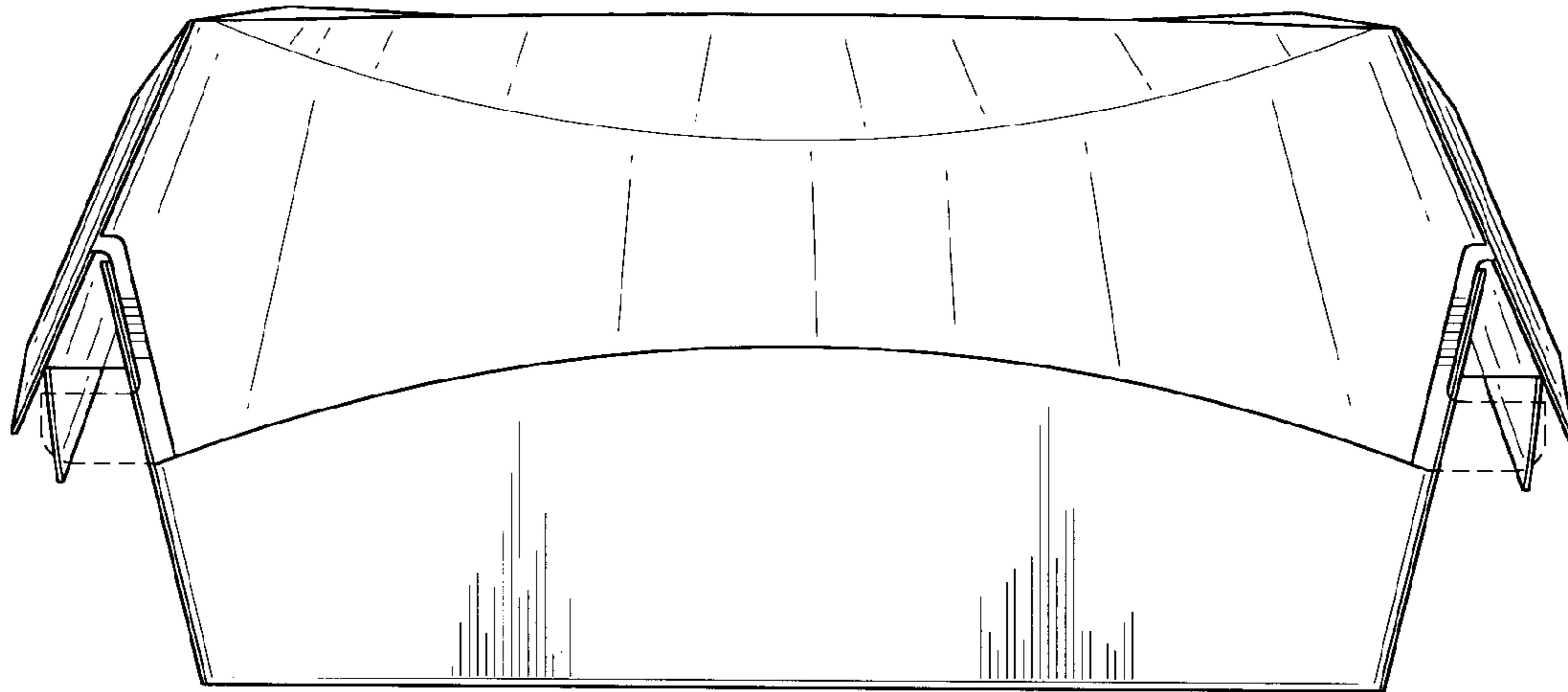


FIG. 2

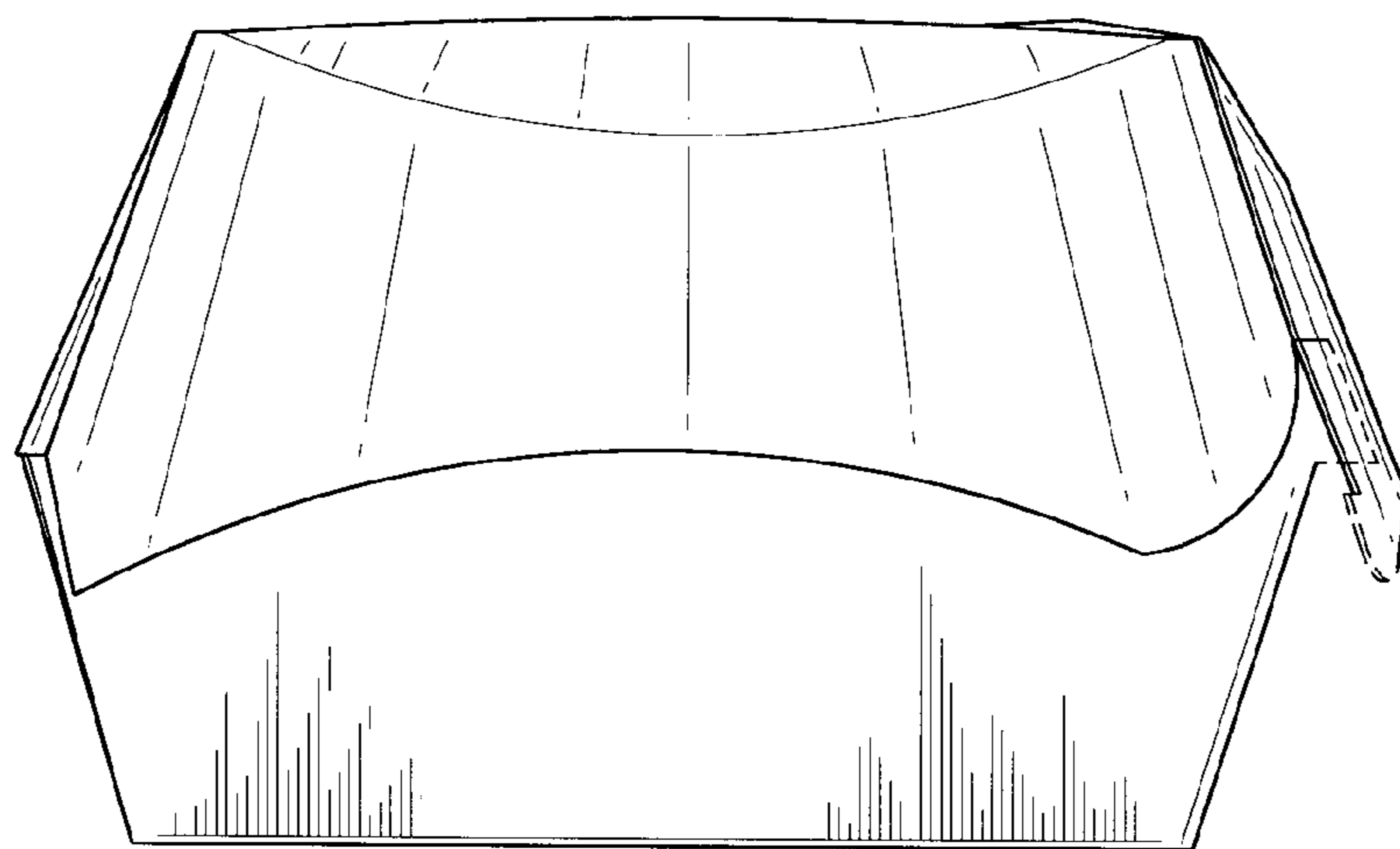


FIG. 3

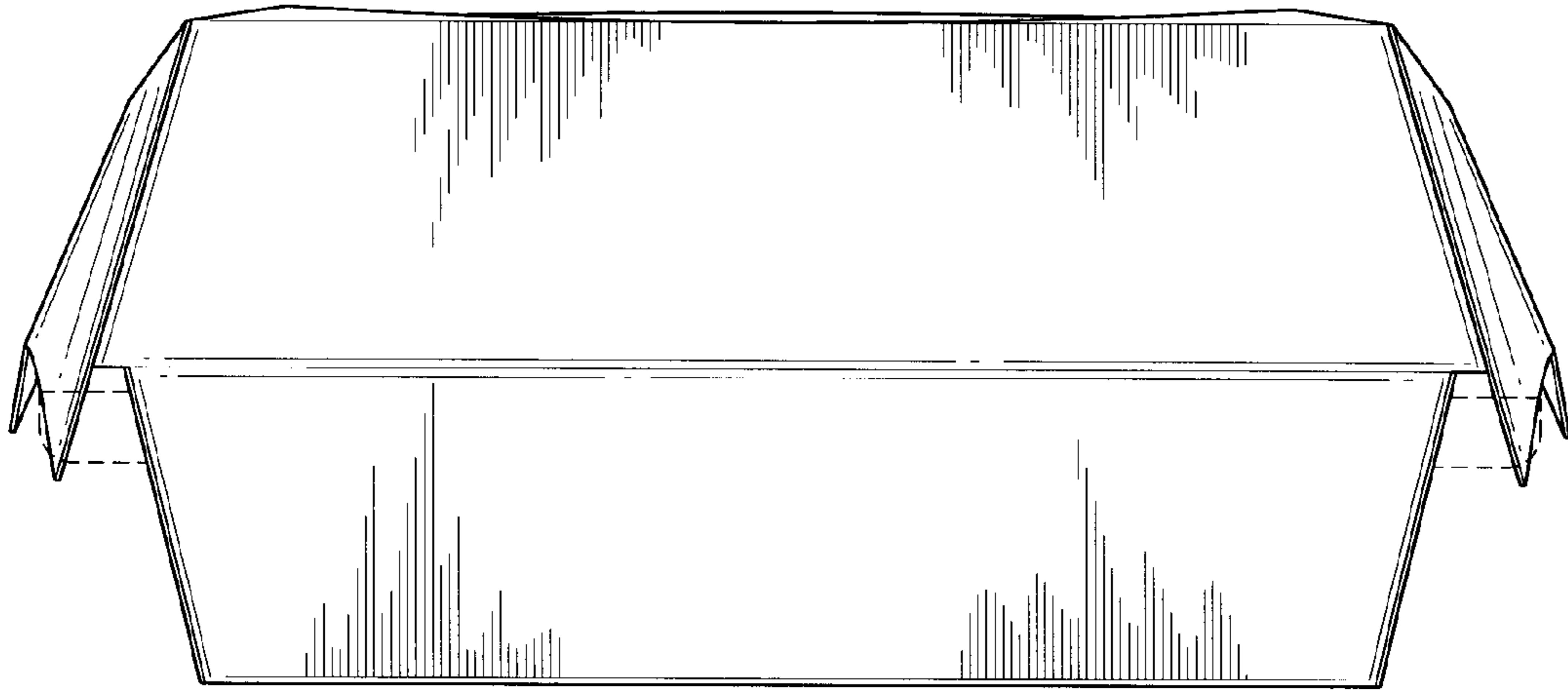


FIG. 4

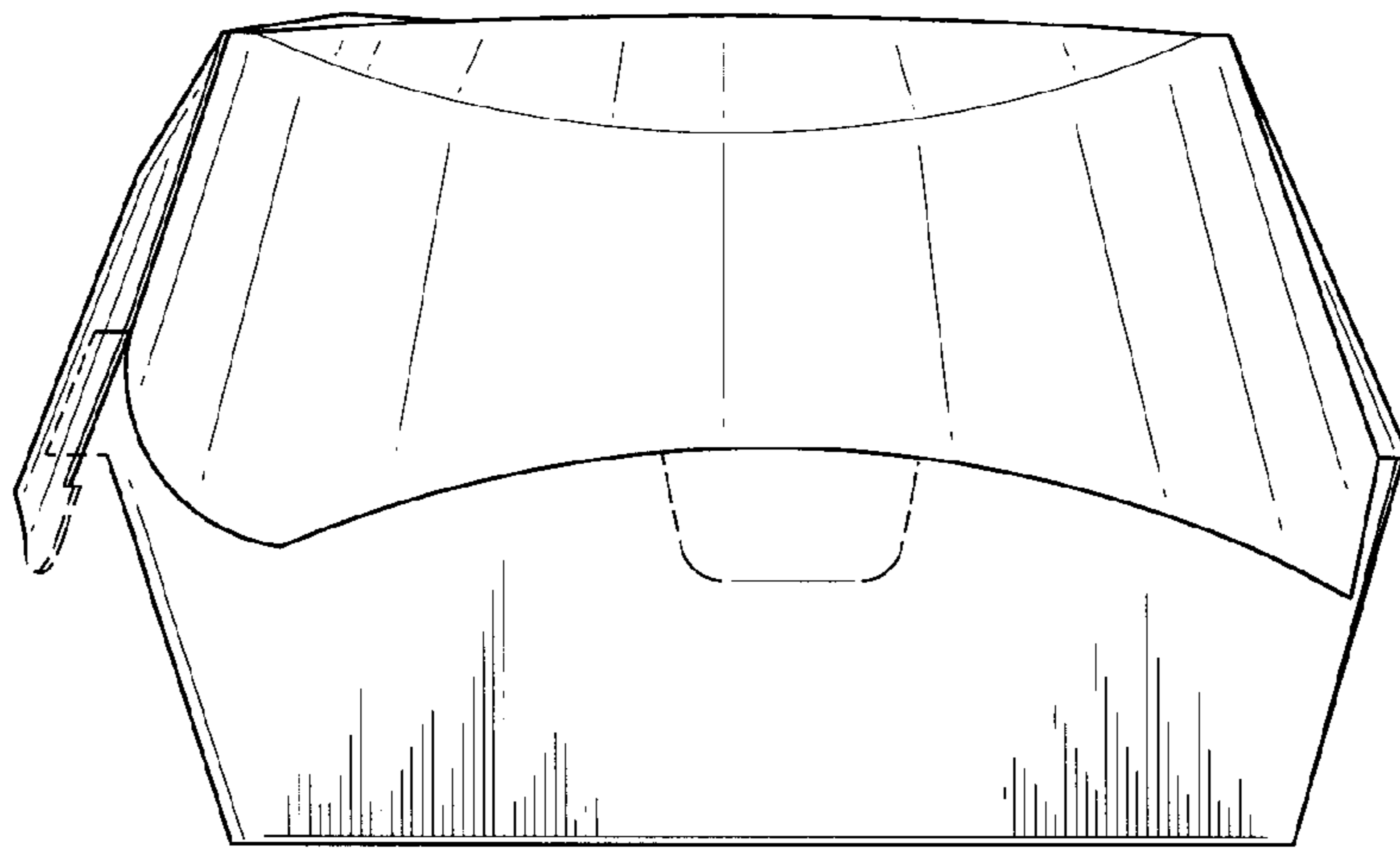


FIG. 5

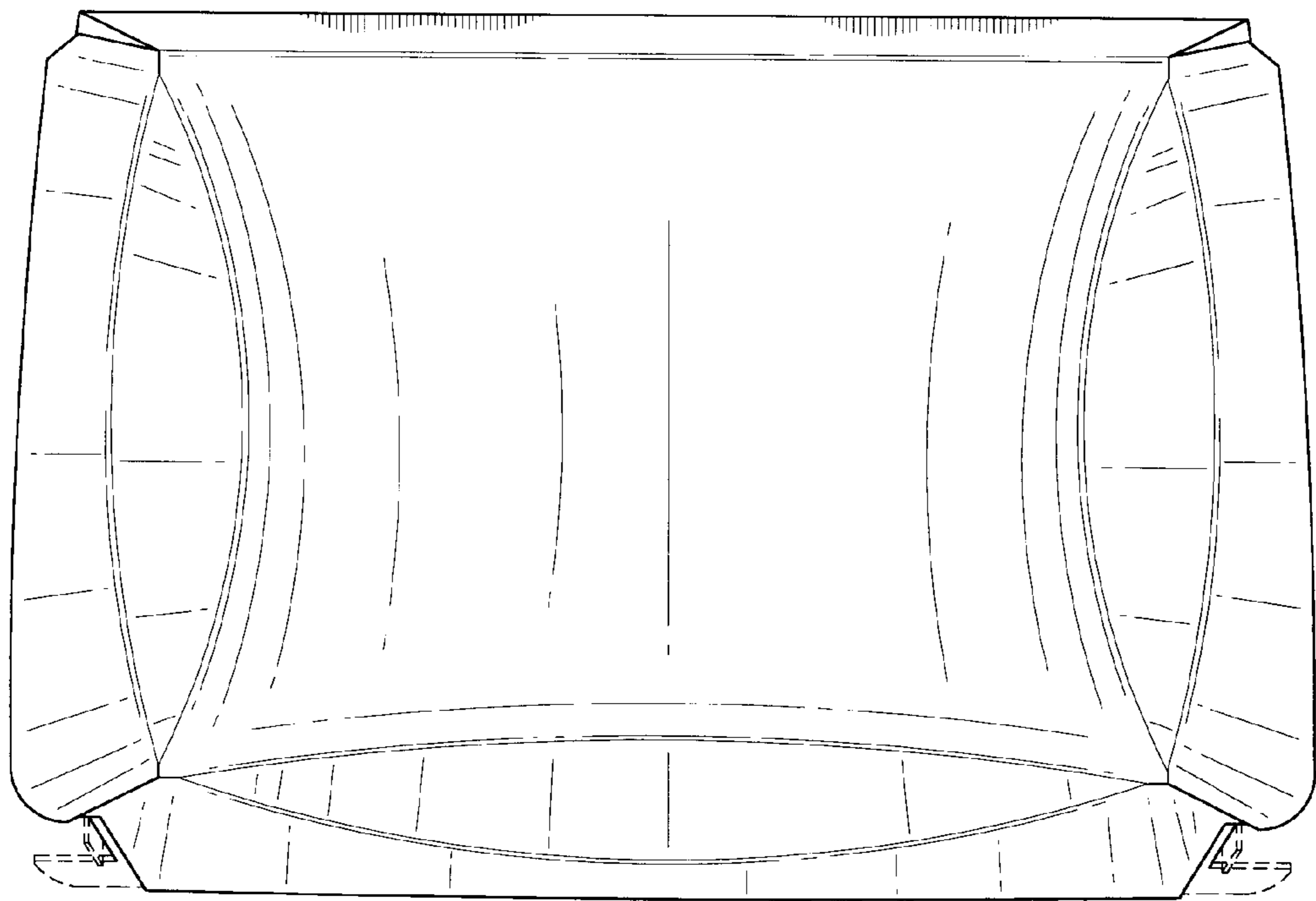


FIG. 6

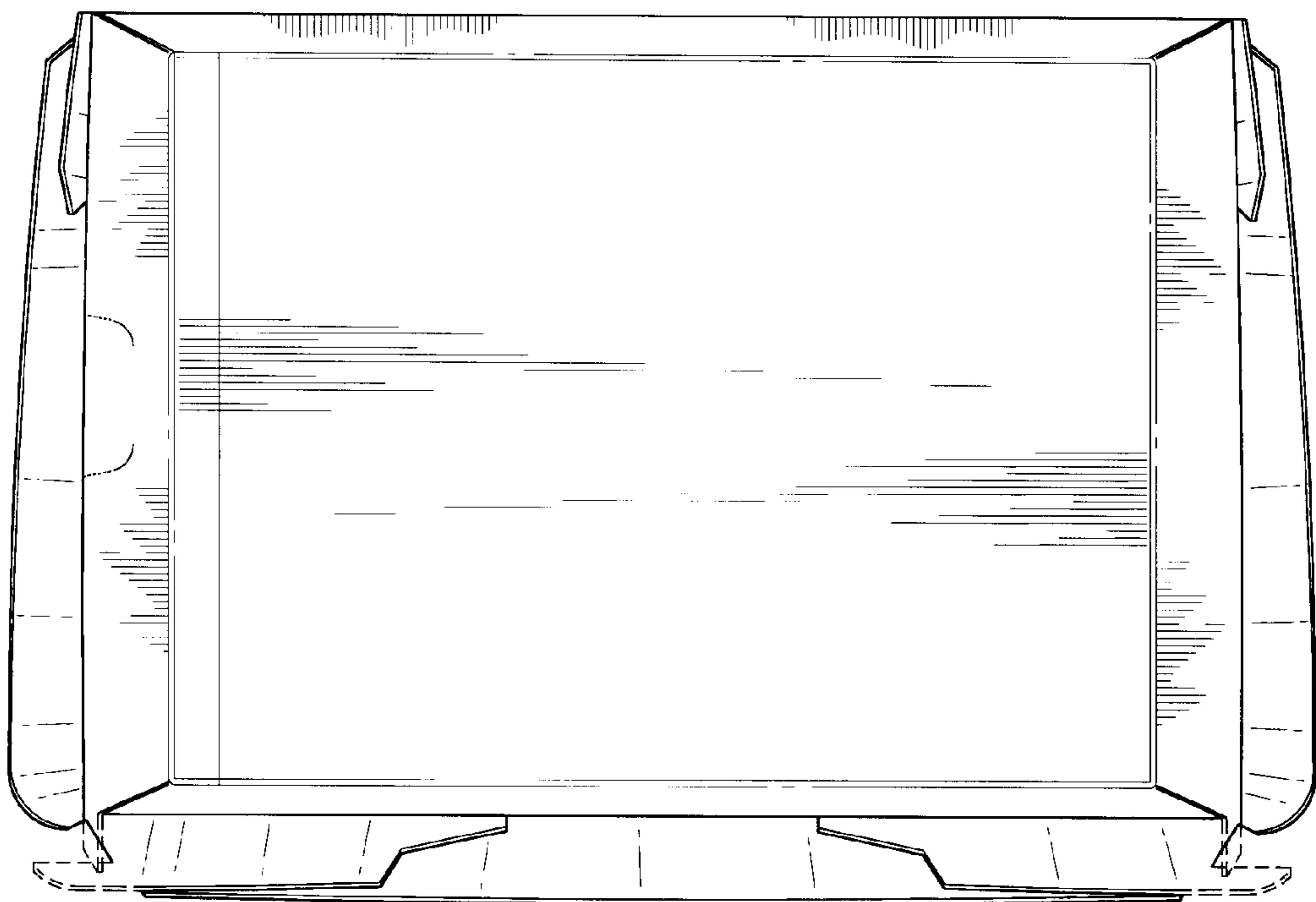


FIG. 7

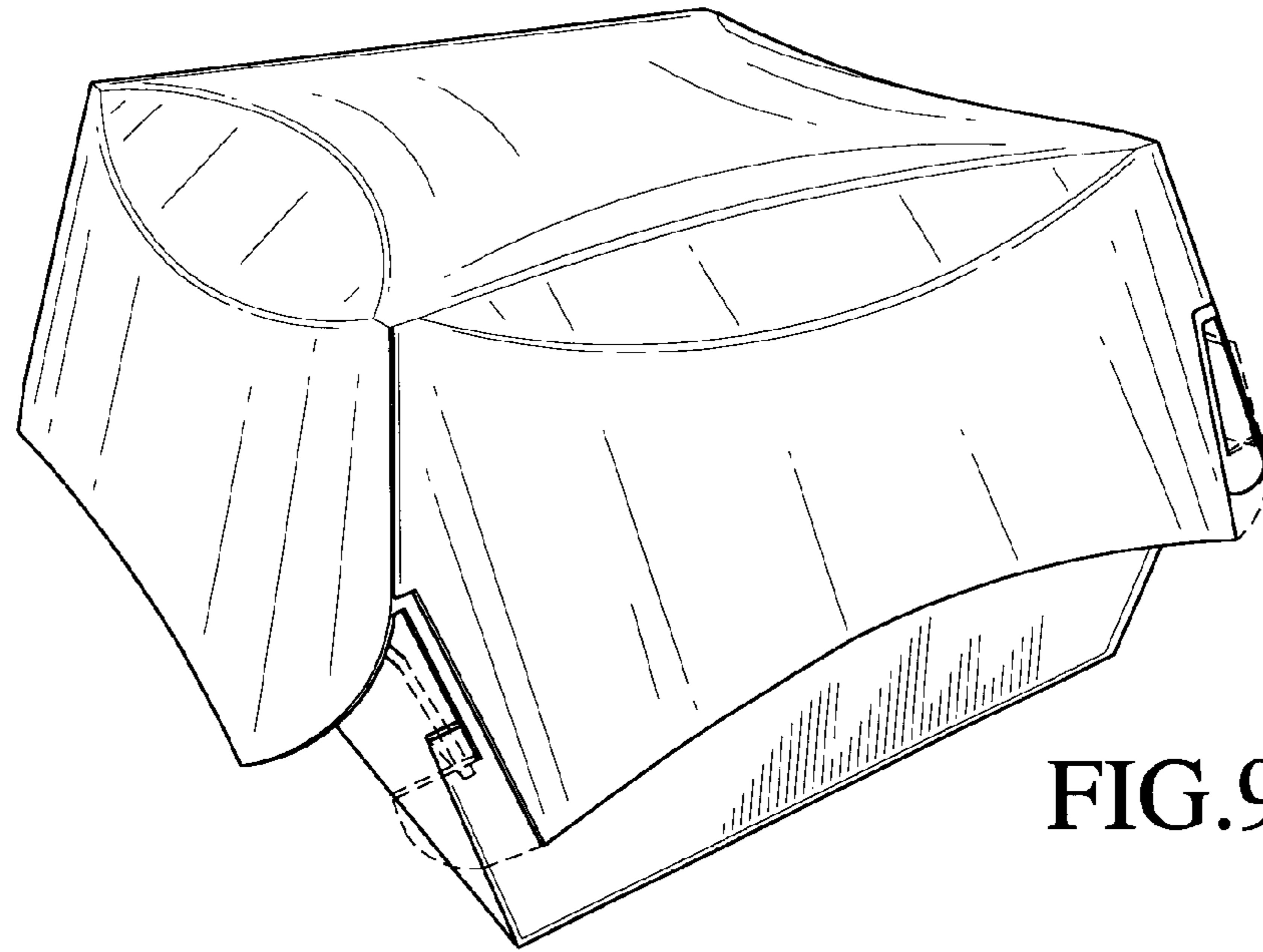


FIG. 9

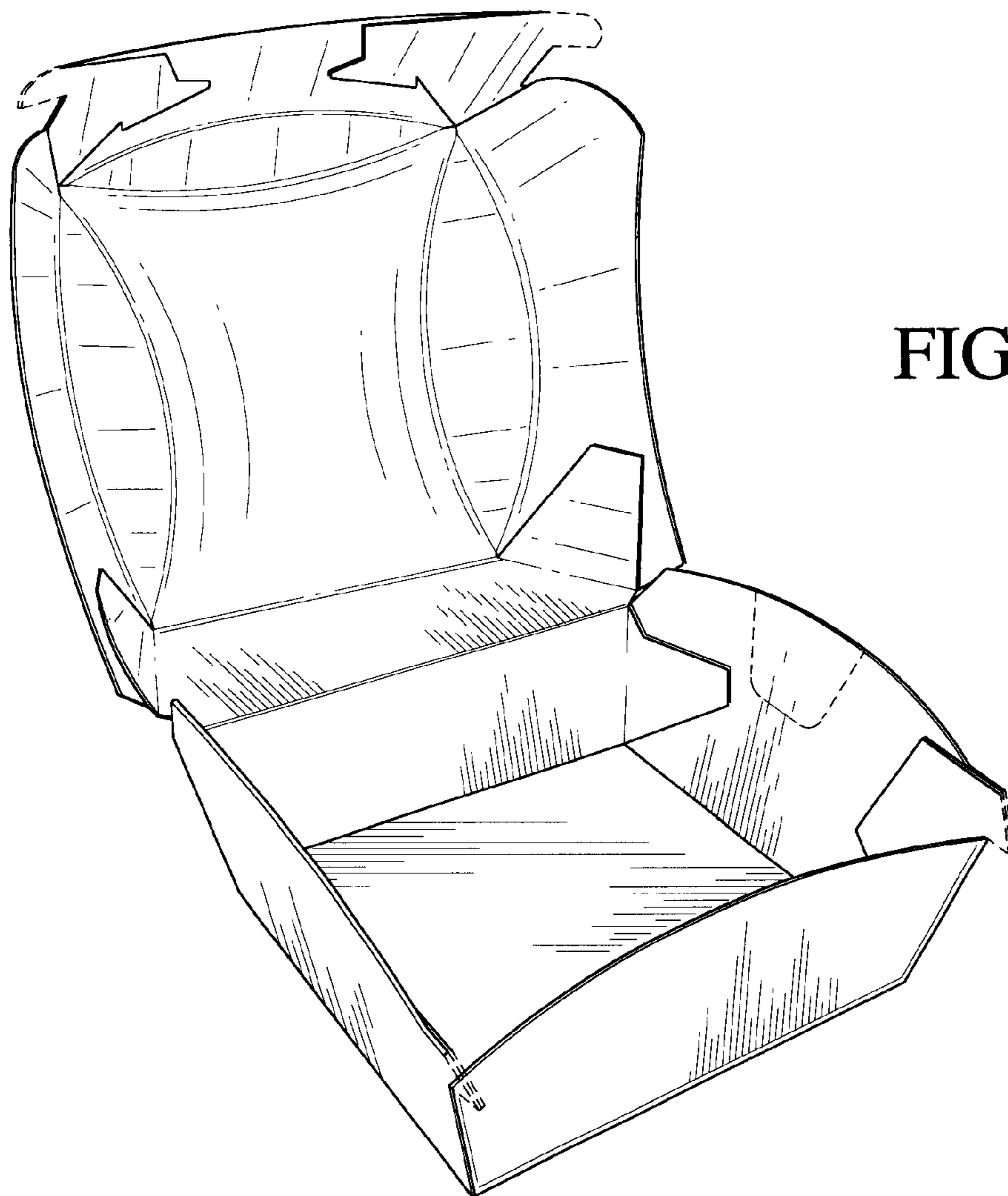


FIG. 16

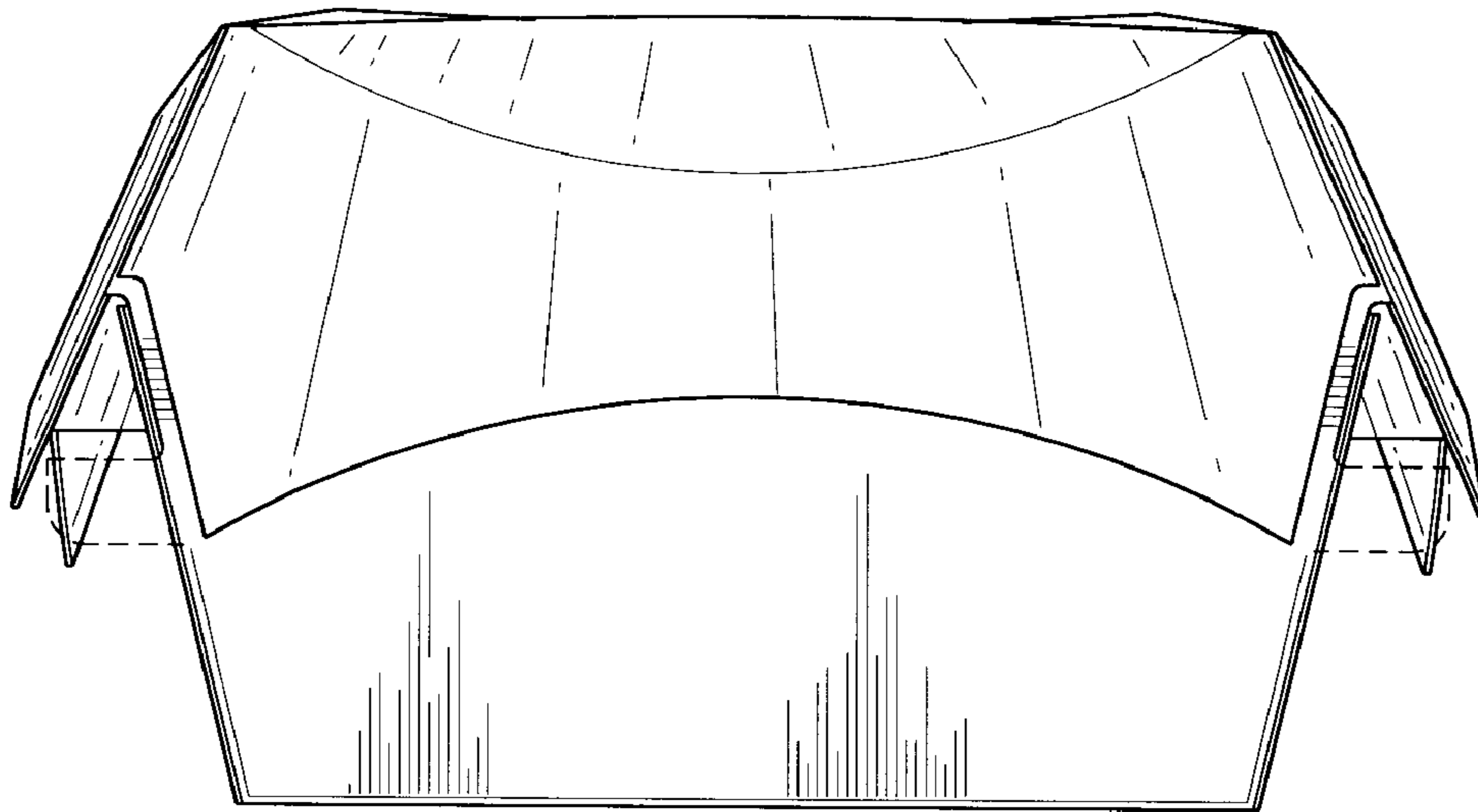


FIG. 10

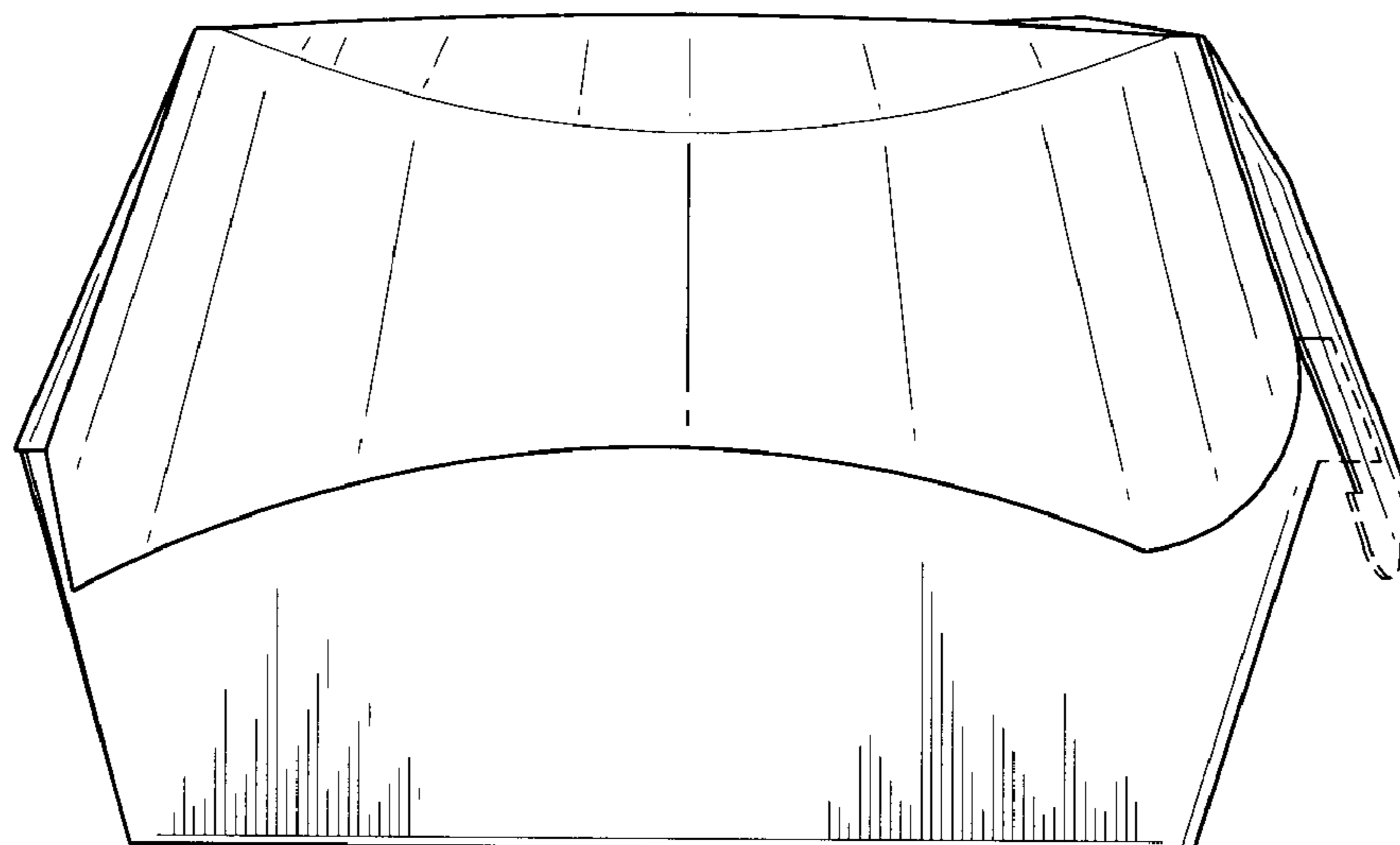


FIG. 11

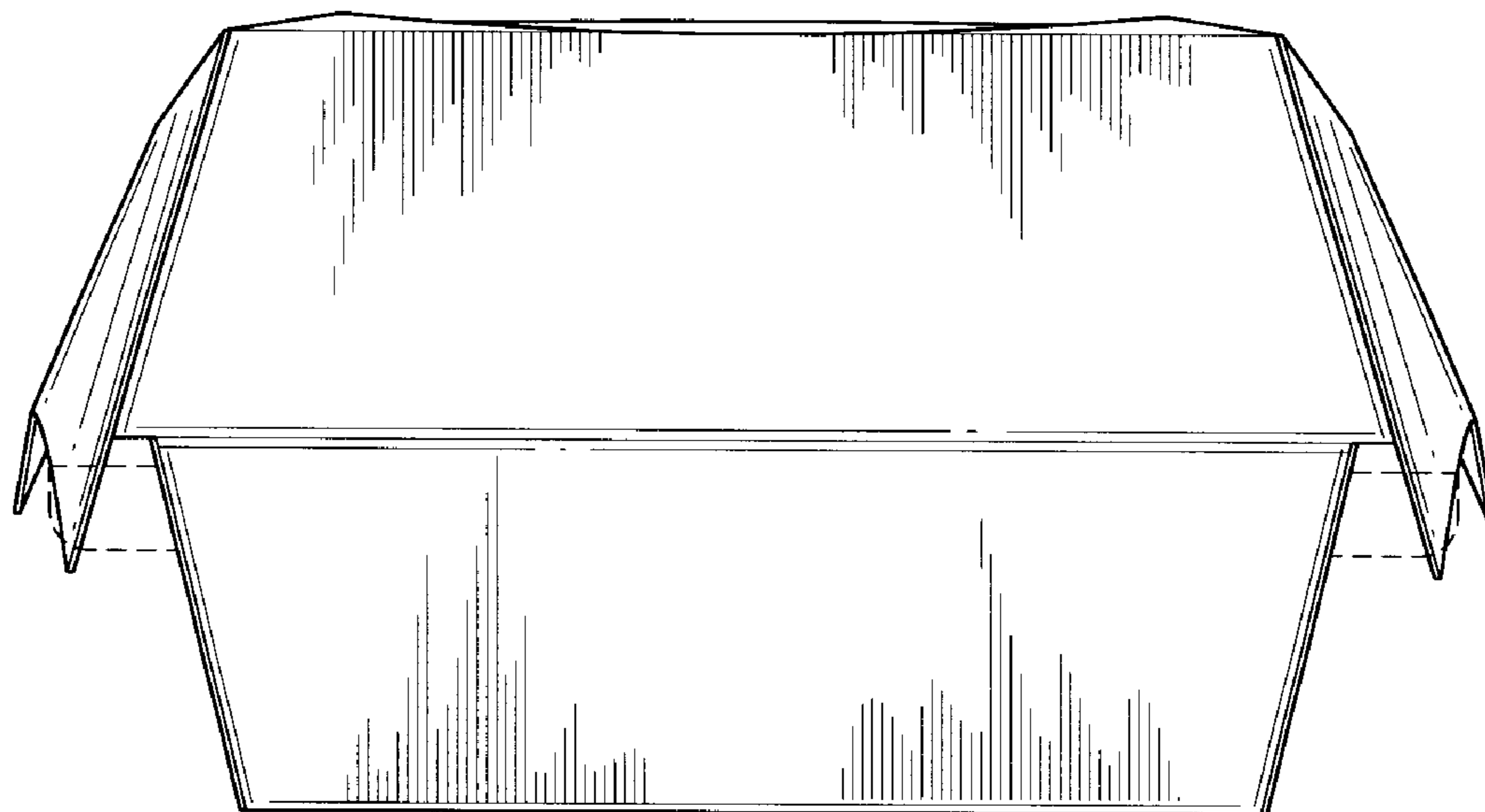


FIG. 12

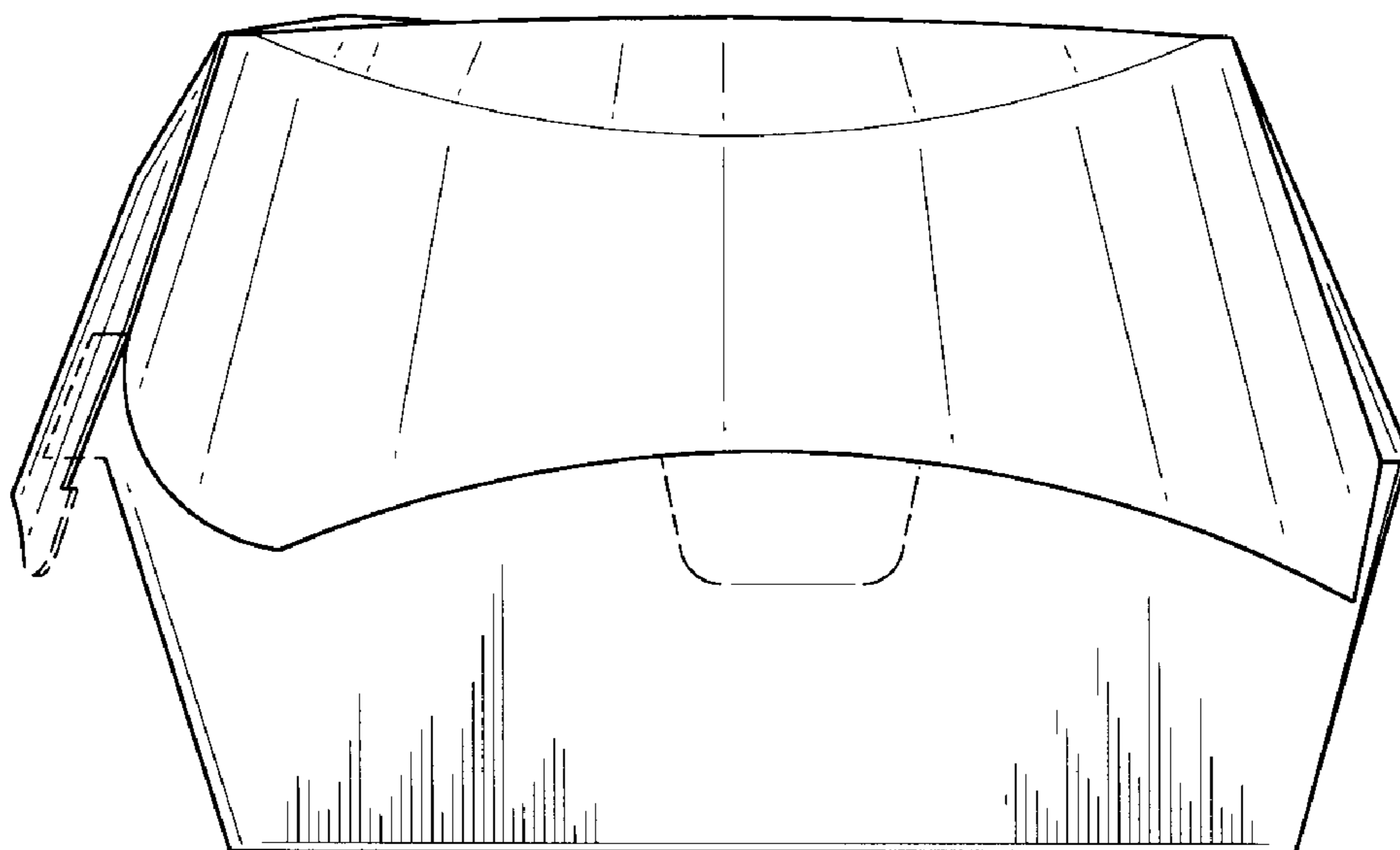


FIG. 13

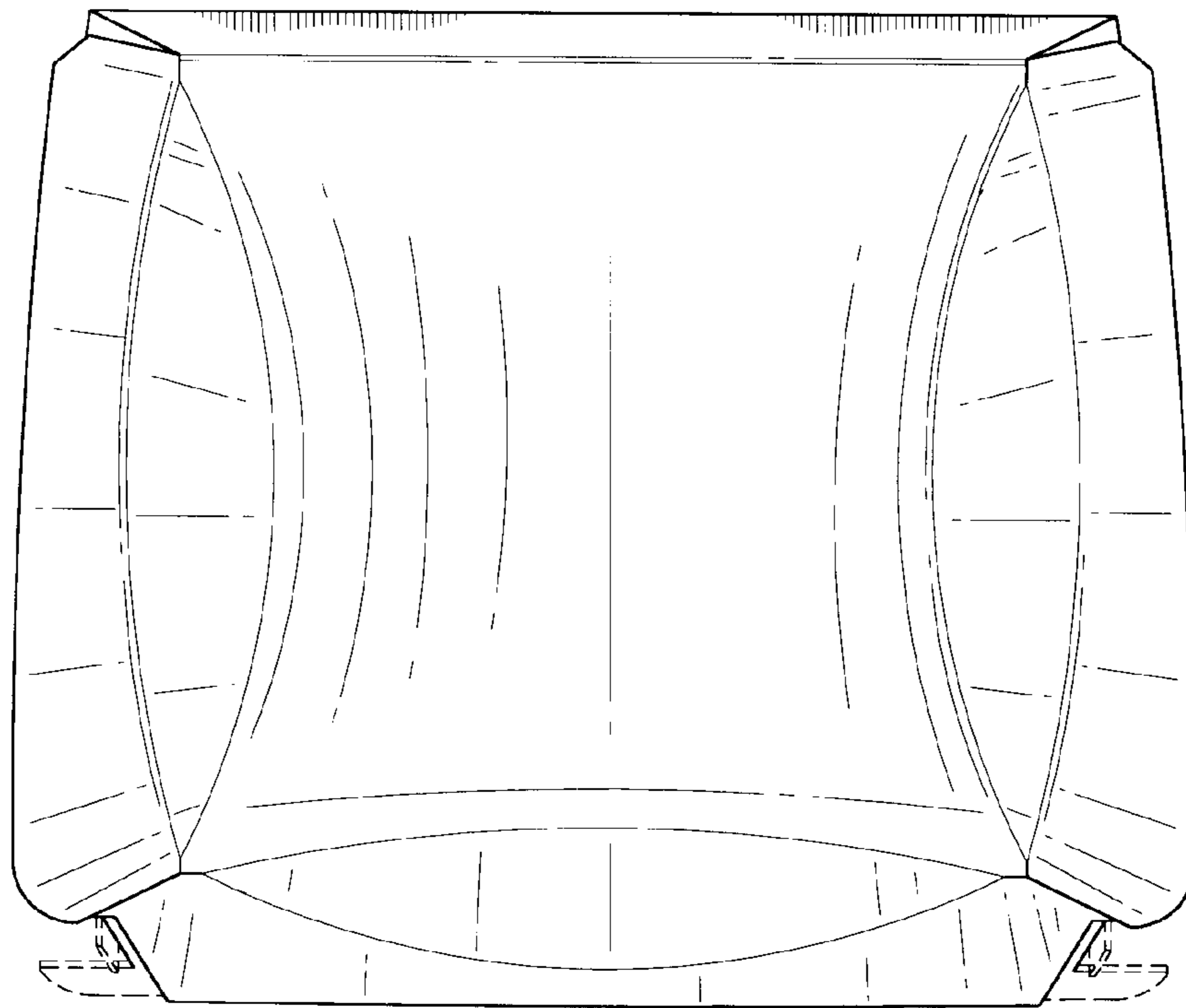


FIG. 14

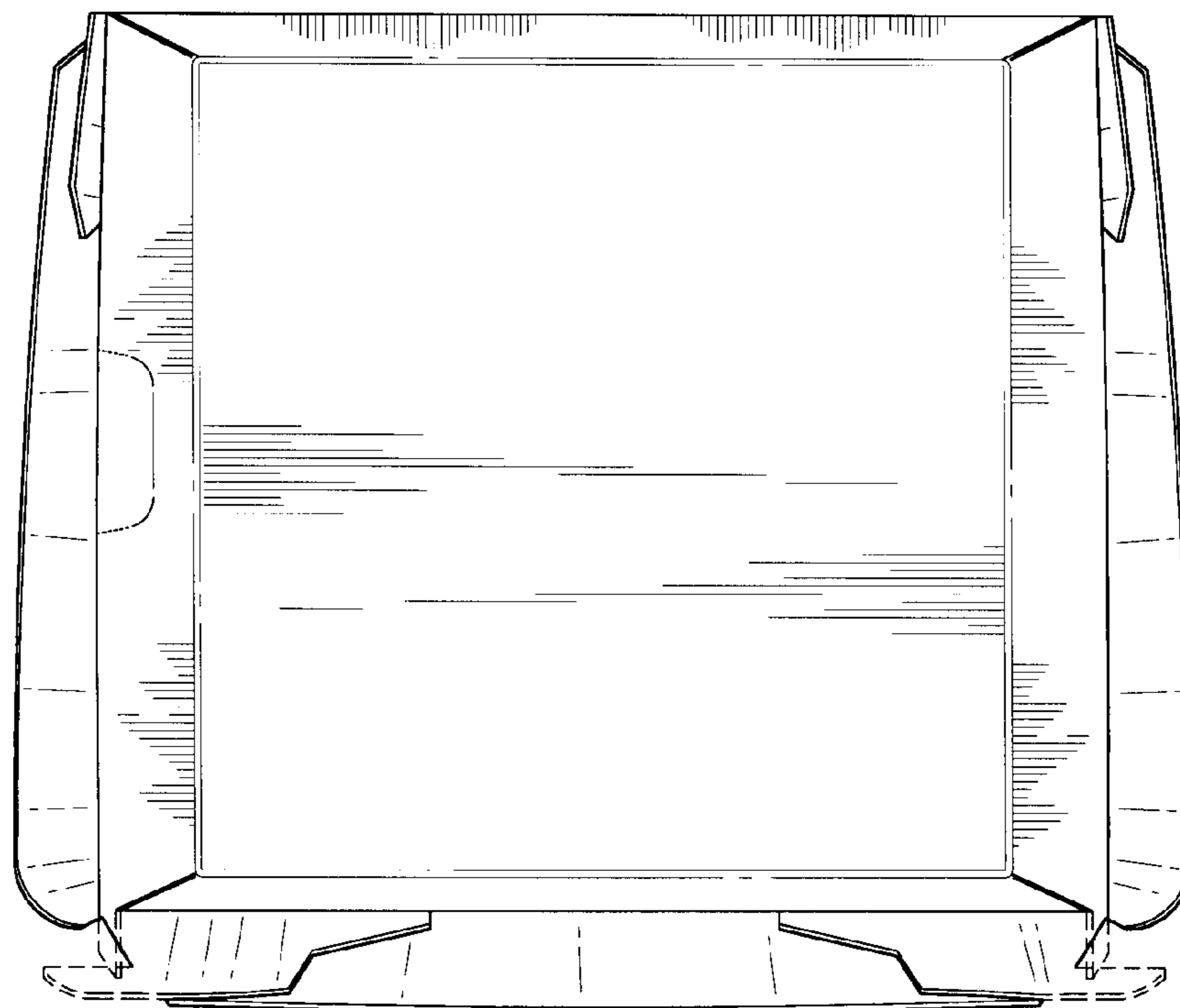


FIG. 15