



US00D519829S

(12) **United States Design Patent**
Campo

(10) **Patent No.:** **US D519,829 S**

(45) **Date of Patent:** **** May 2, 2006**

(54) **DISPLAY AND SALES PACKAGE FOR LAMP OR THE LIKE**

(76) Inventor: **Tom Campo**, 19 Fernview Ave., Unit 6,
North Andover, MA (US) 01845

(**) Term: **14 Years**

(21) Appl. No.: **29/201,913**

(22) Filed: **Mar. 23, 2004**

(51) **LOC (8) Cl.** **09-03**

(52) **U.S. Cl.** **D9/418**

(58) **Field of Classification Search** D9/418,
D9/414, 415, 420

See application file for complete search history.

(56) **References Cited**

U.S. PATENT DOCUMENTS

3,406,816	A	*	10/1968	Green et al.	446/73
4,075,786	A	*	2/1978	van Zyl	47/84
D455,073	S	*	4/2002	Mizrahi	D9/418
D455,955	S	*	4/2002	Hood et al.	D9/418

* cited by examiner

Primary Examiner—Stella Reid

Assistant Examiner—Derrick Holland

(74) *Attorney, Agent, or Firm*—Todd S. Parkhurst; Holland & Knight, LLP

(57) **CLAIM**

I claim the ornamental design for a display and sales package for lamp or the like, as shown.

DESCRIPTION

FIG. 1 is an isometric view of a display and sales package for lamp or the like, showing my new design;

FIG. 2 is a right elevational view thereof;

FIG. 3 is a left elevational view thereof;

FIG. 4 is a rear elevational view thereof;

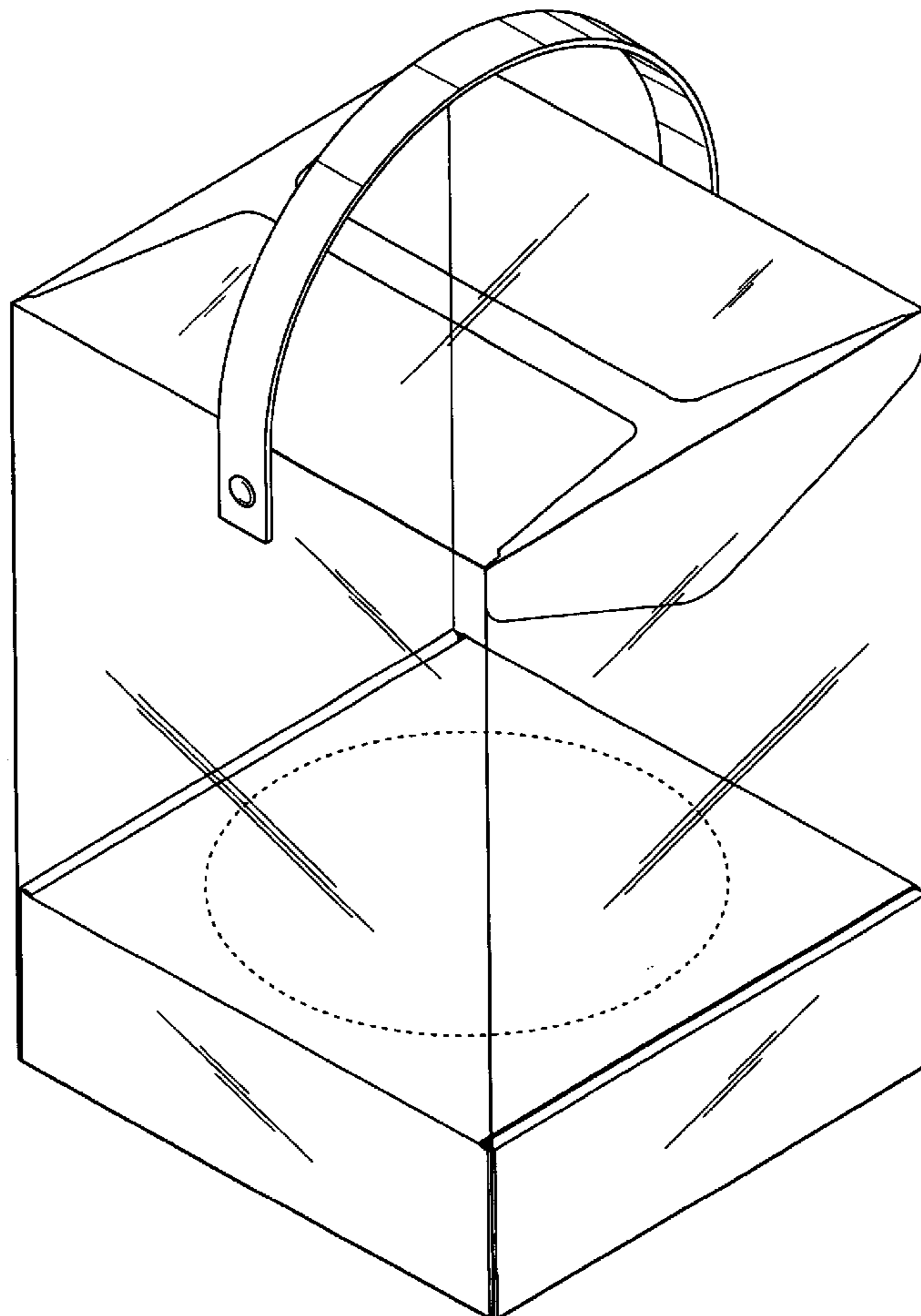
FIG. 5 is a front elevational view thereof;

FIG. 6 is a top plan view thereof; and,

FIG. 7 is a bottom plan view thereof.

The broken lines shown are for illustrative purposes only and forms no part of the claimed design.

1 Claim, 4 Drawing Sheets



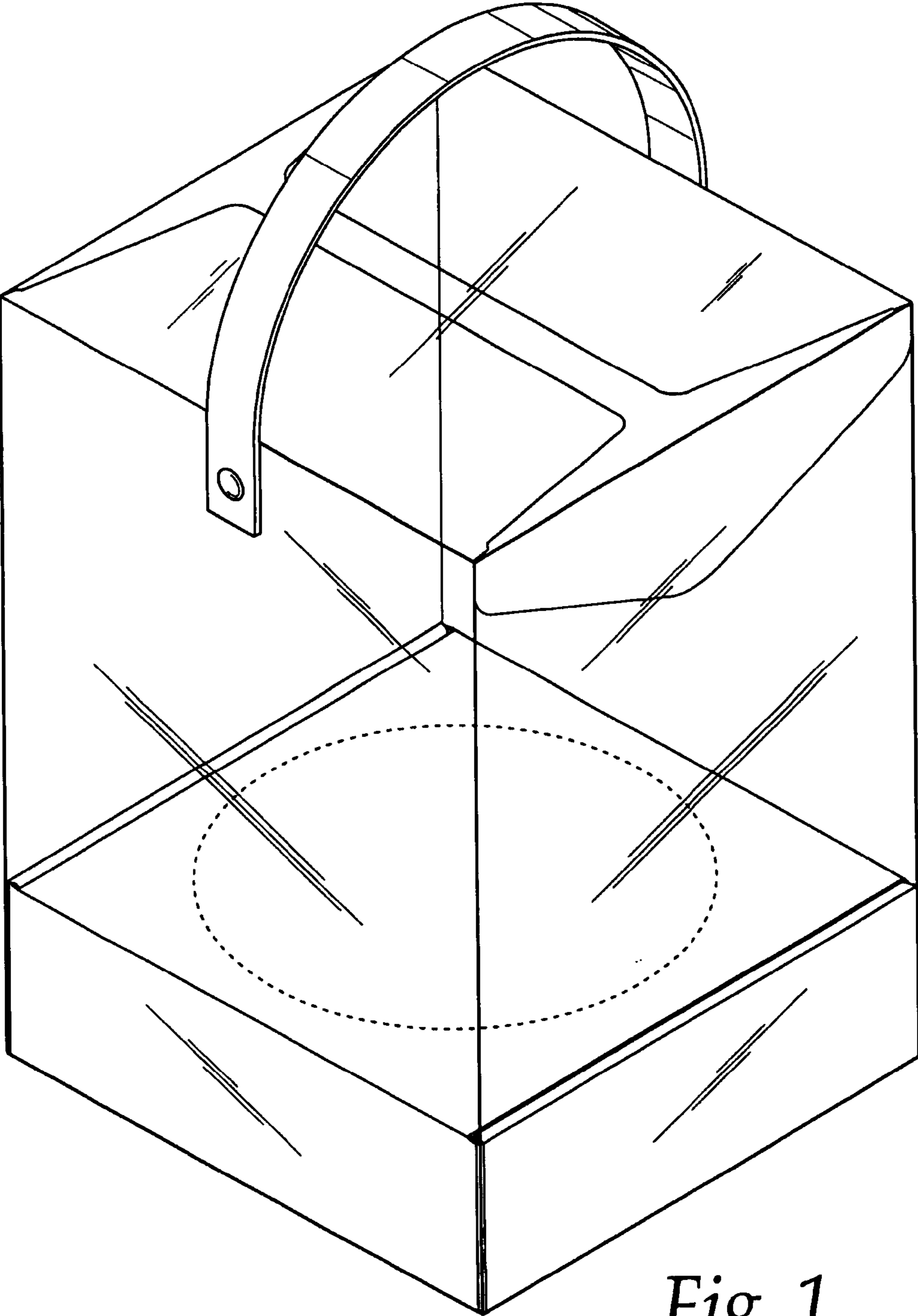


Fig. 1

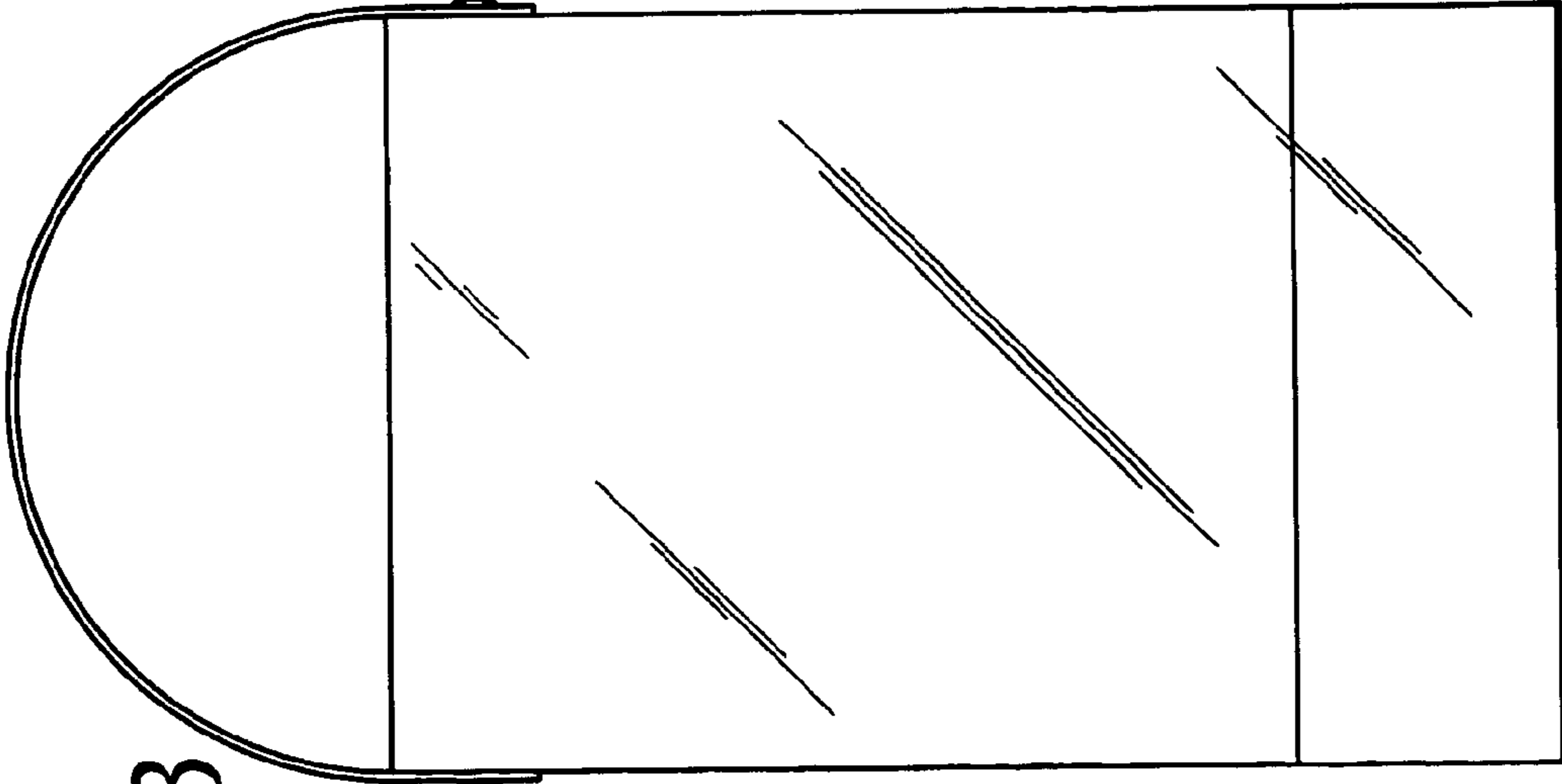


Fig. 3

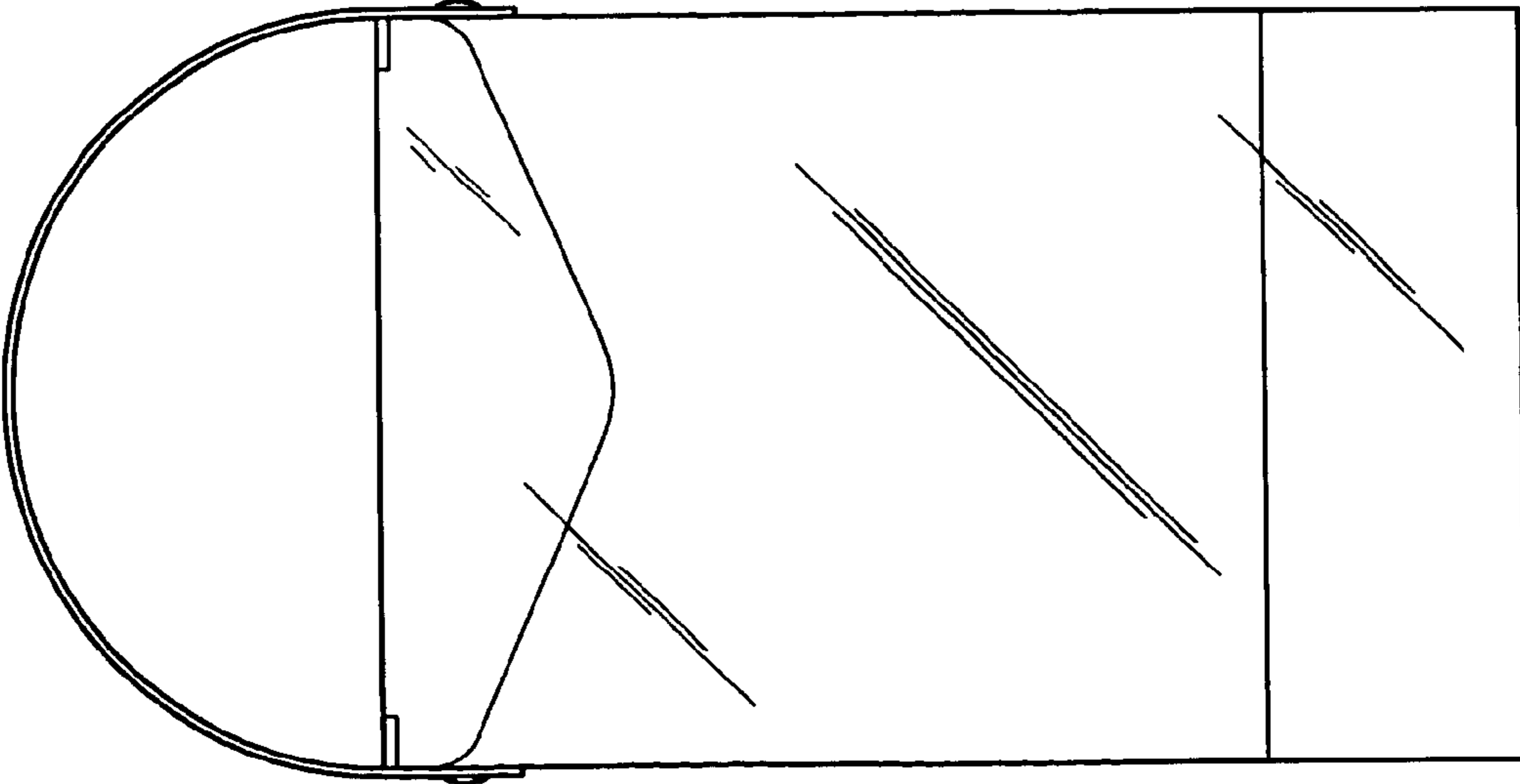


Fig. 2

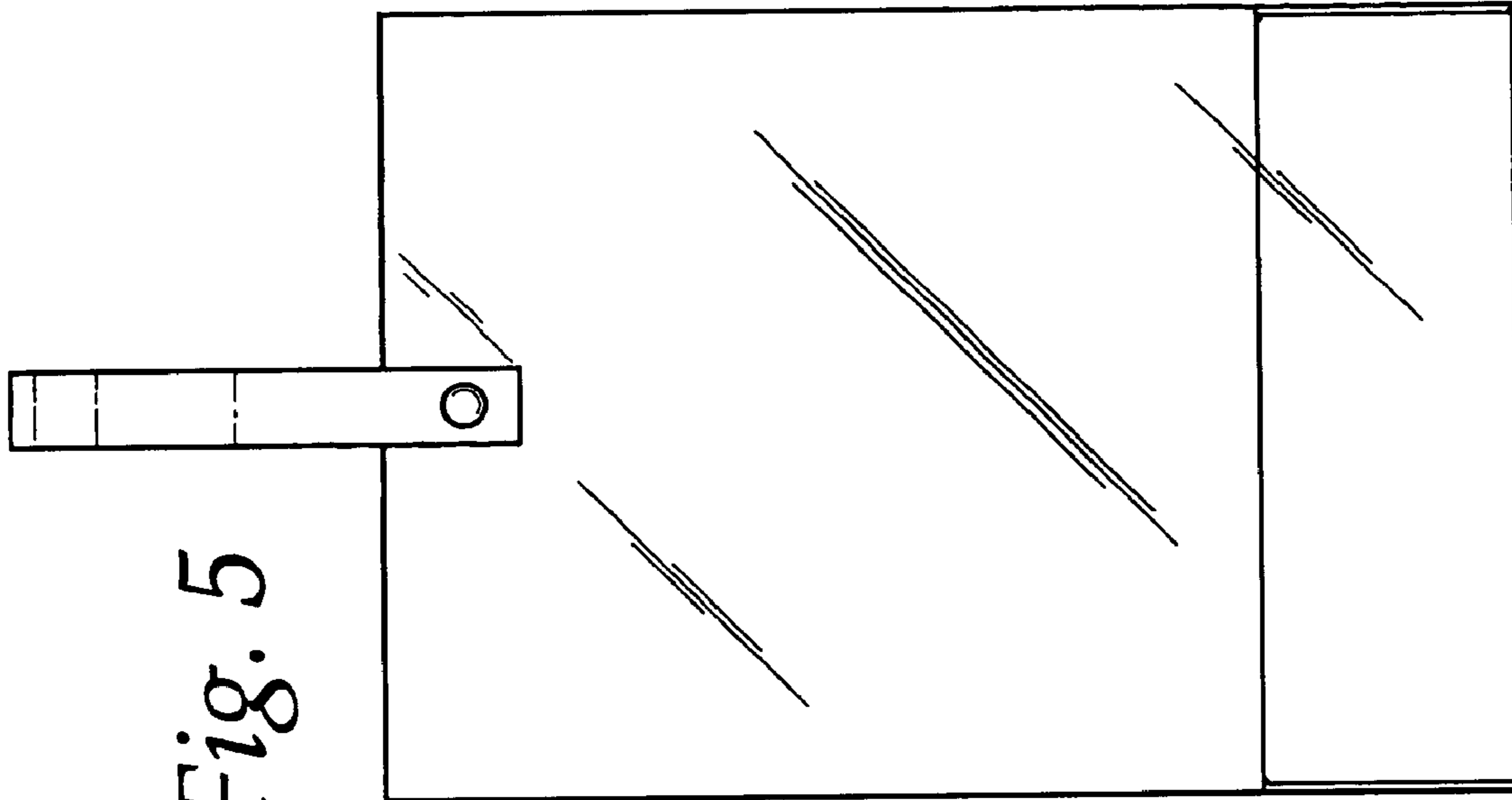


Fig. 5

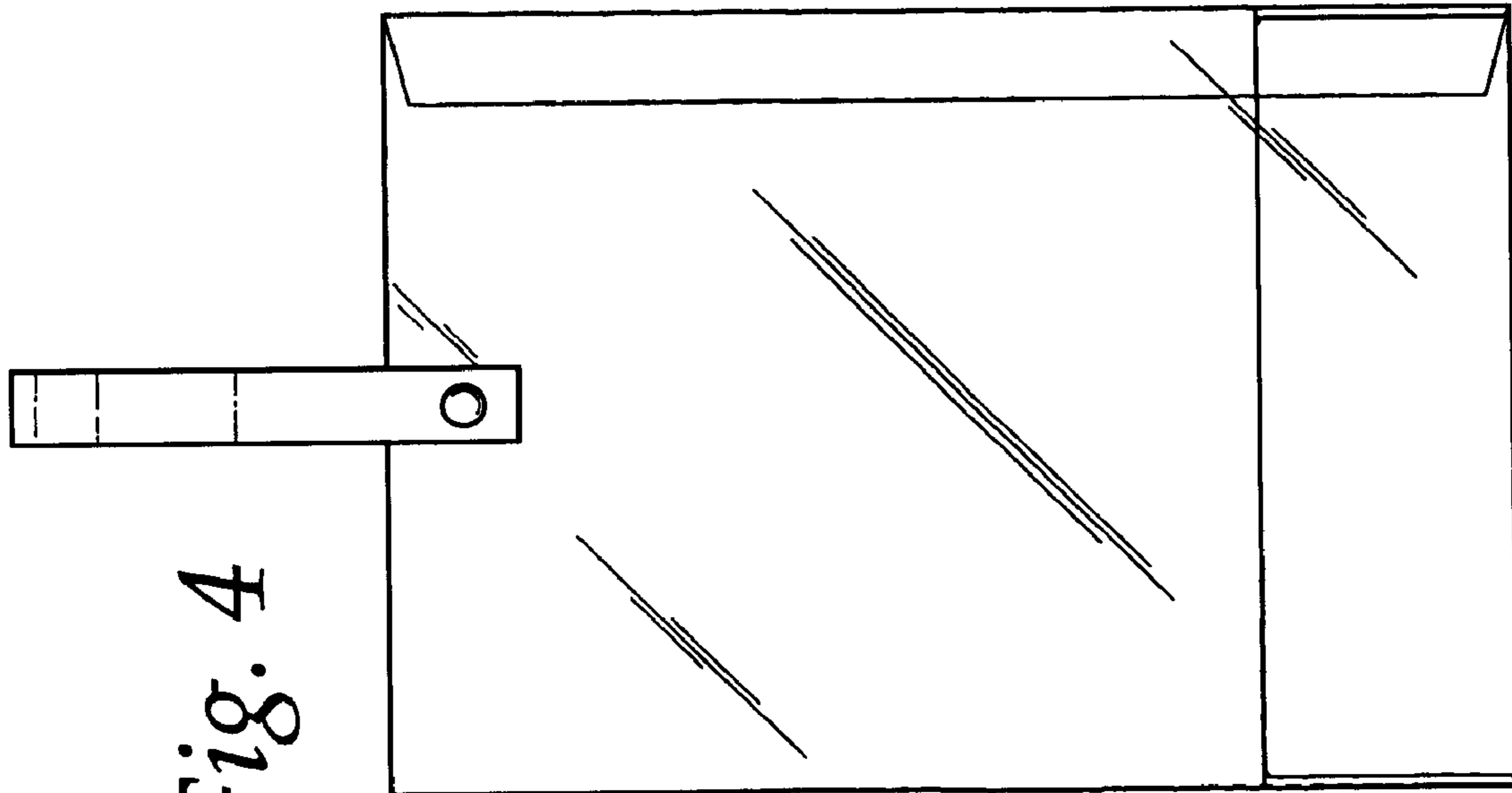


Fig. 4

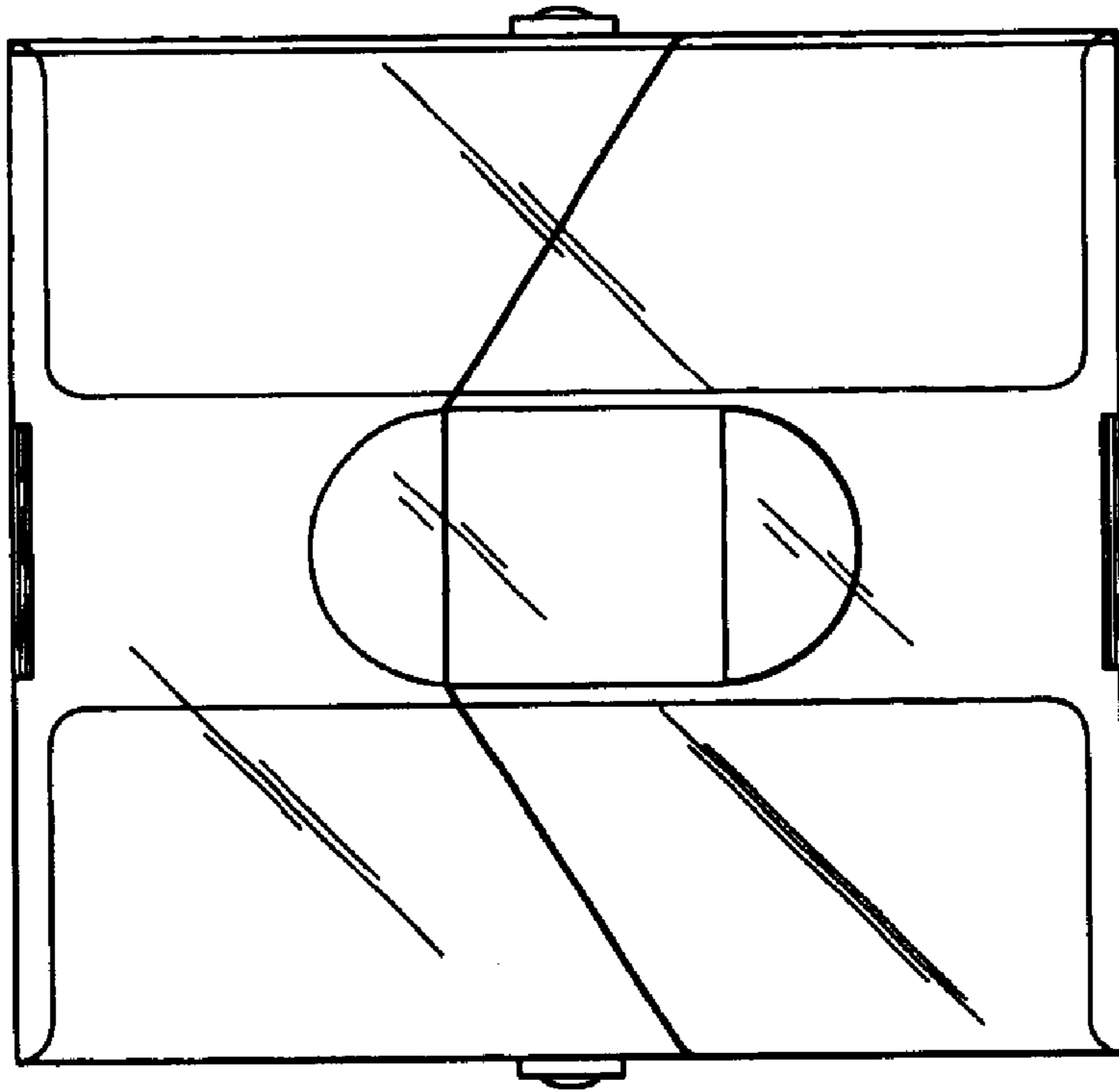


Fig. 6

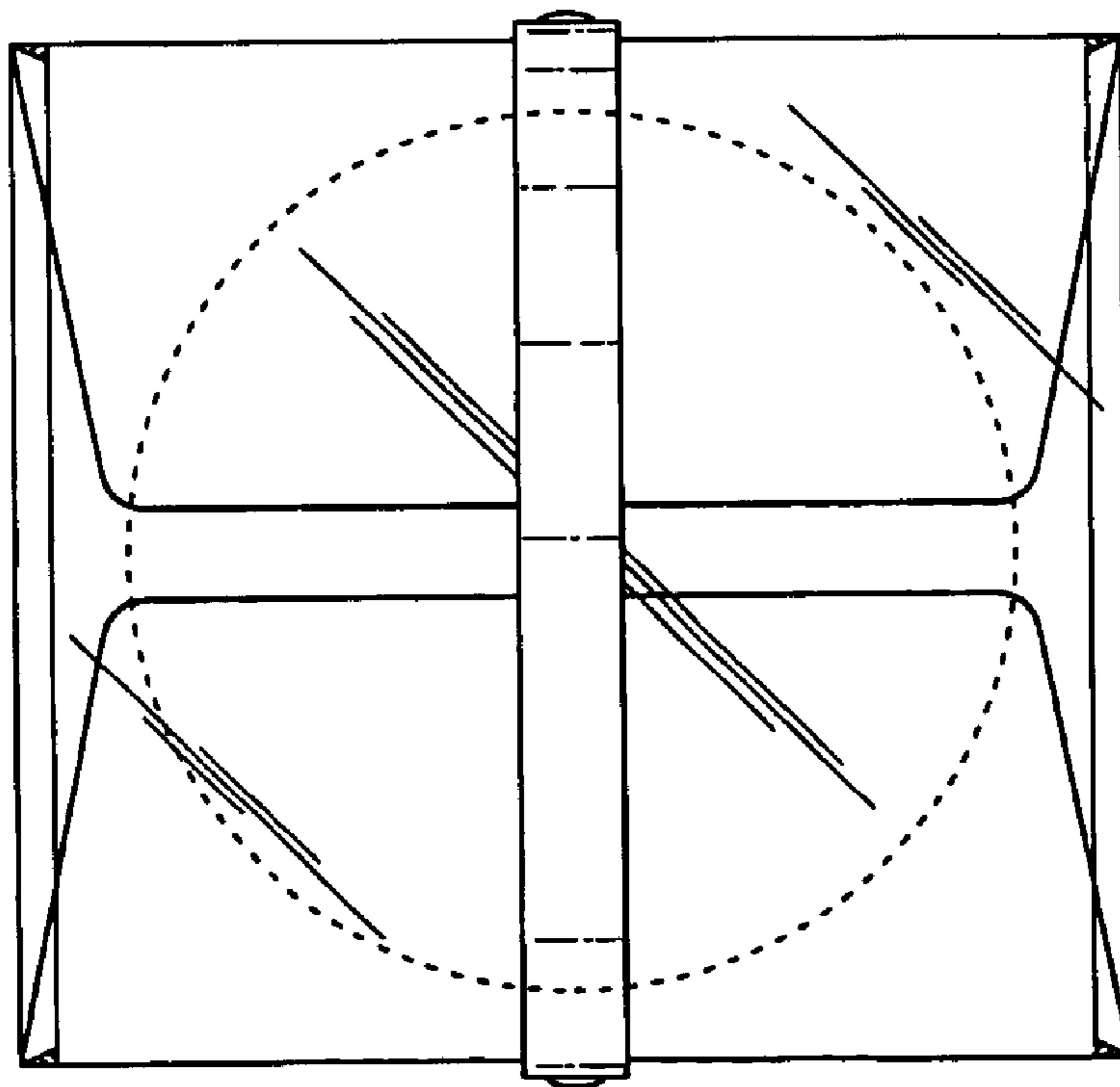


Fig. 7