



US00D519825S

(12) **United States Design Patent**  
**Marr**

(10) **Patent No.:** **US D519,825 S**

(45) **Date of Patent:** **\*\* May 2, 2006**

(54) **TRAILER WHEEL LOCK**

(76) Inventor: **Kendall Joe Marr**, 8083 NW. 23<sup>rd</sup> St.,  
Oklahoma City, OK (US) 73127

(\*\*) Term: **14 Years**

(21) Appl. No.: **29/205,427**

(22) Filed: **May 14, 2004**

(51) **LOC (8) Cl.** ..... **08-07**

(52) **U.S. Cl.** ..... **D8/343; D12/106**

(58) **Field of Classification Search** ..... D8/330,  
D8/331, 334, 343; 70/14, 18, 31, 32, 225,  
70/226, 237, 431, 443

See application file for complete search history.

(56) **References Cited**

**U.S. PATENT DOCUMENTS**

1,502,933	A	*	7/1924	Allen	.....	70/253
4,538,827	A	*	9/1985	Plifka	.....	280/507
D281,220	S	*	11/1985	Lassiter	.....	D8/331
D297,706	S	*	9/1988	Falk	.....	D8/331
4,794,771	A		1/1989	Princell		
D351,984	S	*	11/1994	Victor	.....	D8/331
D358,698	S	*	5/1995	Henry	.....	D34/31
5,475,995	A		12/1995	Livingston		
5,638,710	A		6/1997	Howard, Jr.		

5,689,981	A		11/1997	DeLuca		
D388,686	S	*	1/1998	Goodwin et al.	.....	D8/331
D396,627	S		8/1998	Blad		
5,956,983	A		9/1999	Hughes		
D440,859	S		4/2001	Denman		
D481,614	S	*	11/2003	Onel	.....	D8/331
D493,690	S	*	8/2004	Melin	.....	D8/331

\* cited by examiner

*Primary Examiner*—Melody N. Brown

(74) *Attorney, Agent, or Firm*—Randal D. Homburg

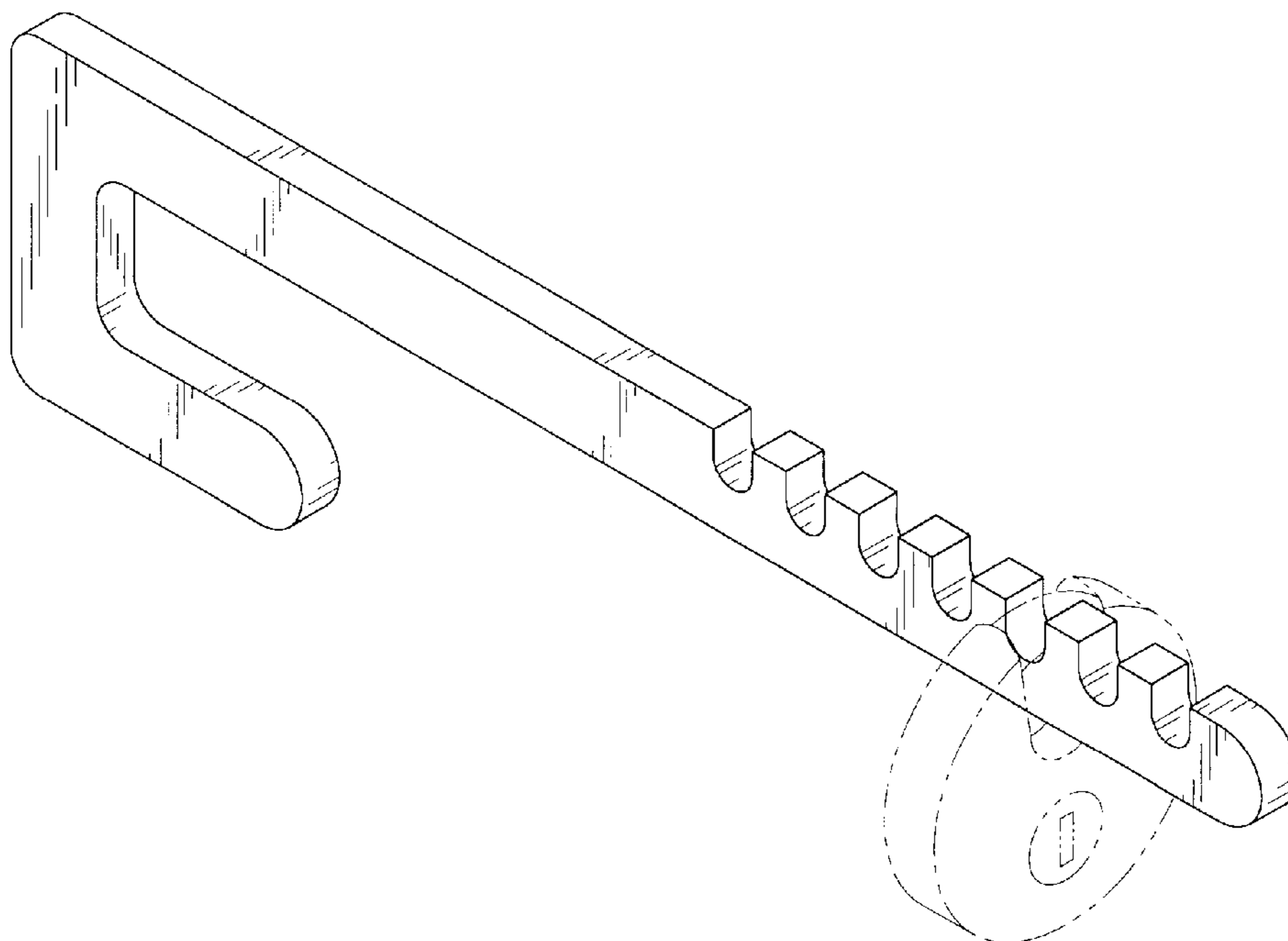
(57) **CLAIM**

The ornamental design for a trailer wheel lock, as shown and described.

**DESCRIPTION**

FIG. 1 is a front view of the trailer wheel lock.  
 FIG. 2 is a rear view of the trailer wheel lock.  
 FIG. 3 is a top view of the trailer wheel lock.  
 FIG. 4 is a bottom view of the trailer wheel lock.  
 FIG. 5 is a right side view of the trailer wheel lock.  
 FIG. 6 is a left side view of the trailer wheel lock; and,  
 FIG. 7 is a perspective view of the trailer wheel lock shown in use with a lock, the lock shown in broken lines is for illustrative purposes only and forms no part of the claimed design.

**1 Claim, 2 Drawing Sheets**



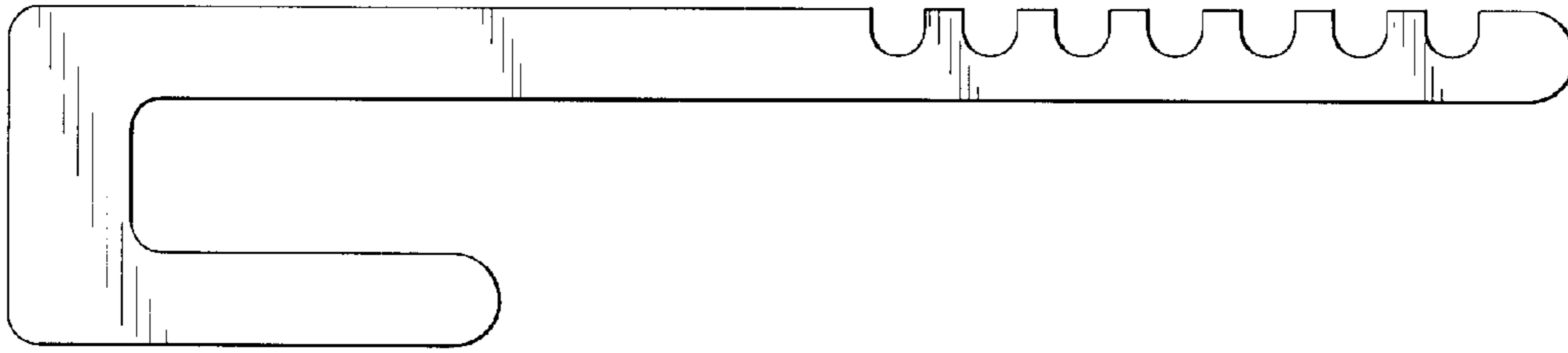


FIG. 1

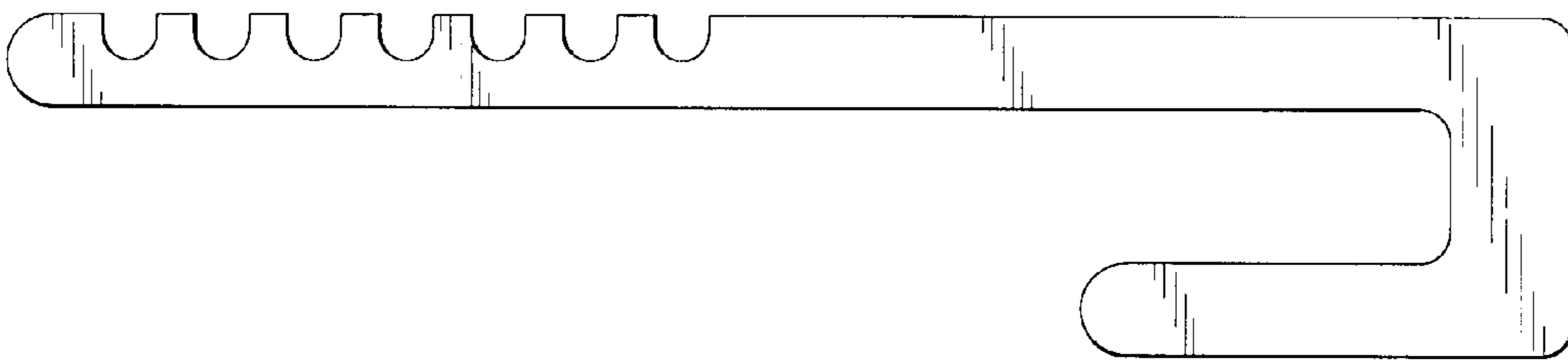


FIG. 2



FIG. 3

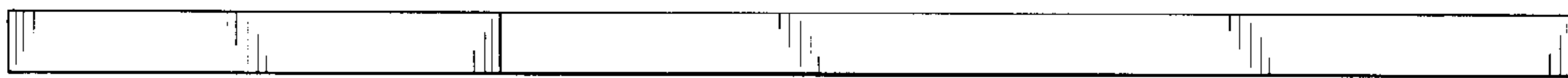


FIG. 4

