



US00D519821S

(12) **United States Design Patent**  
**Tsai**

(10) **Patent No.:** **US D519,821 S**

(45) **Date of Patent:** **\*\* May 2, 2006**

(54) **TOOL HANDLE**

(76) **Inventor:** **Jung-Fa Tsai**, No. 227, Wu Chuan Road, North District, Taichung (TW)

(\*\*) **Term:** **14 Years**

(21) **Appl. No.:** **29/210,893**

(22) **Filed:** **Aug. 6, 2004**

(51) **LOC (8) Cl.** ..... **08-04**

(52) **U.S. Cl.** ..... **D8/107; D8/83**

(58) **Field of Classification Search** ..... D8/107,  
D8/82-85, 87; 81/436-440, 489, 177.1; 16/110.1,  
16/421-422, 426, 430-431; D26/37; D7/393-395,  
D7/649

See application file for complete search history.

(56) **References Cited**

**U.S. PATENT DOCUMENTS**

- D379,058 S \* 5/1997 Neumann ..... D8/107
- D449,505 S \* 10/2001 Glass et al. .... D8/83
- D481,612 S \* 11/2003 Tsai ..... D8/107
- D482,949 S \* 12/2003 Molenaar ..... D8/83

\* cited by examiner

*Primary Examiner*—Pamela Burgess

(74) *Attorney, Agent, or Firm*—Alan D. Kamrath; Nikolai & Mersereau, P.A.

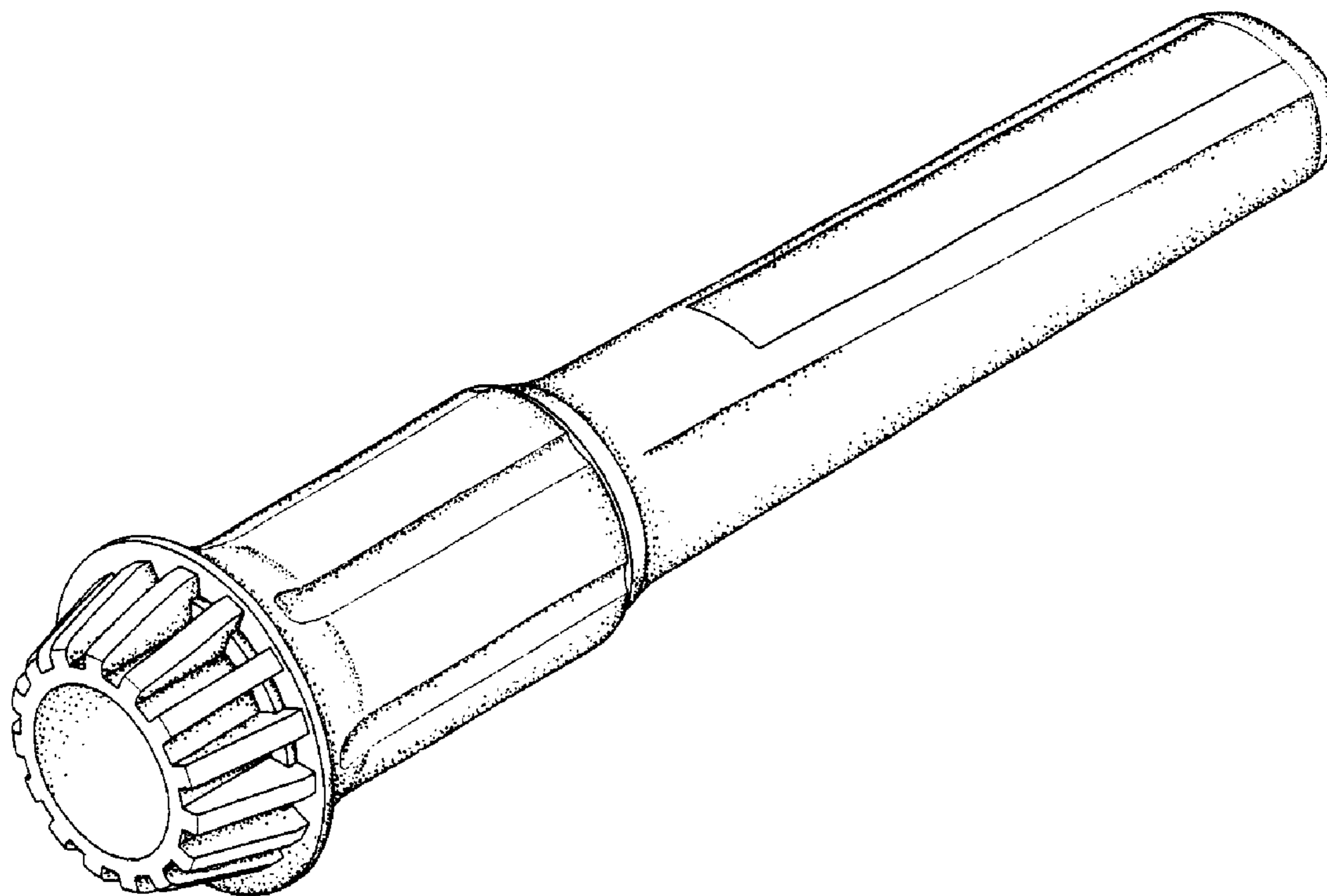
(57) **CLAIM**

The ornamental design for tool handle, as shown and described.

**DESCRIPTION**

FIG. 1 is a perspective view of a tool handle showing my new design;  
 FIG. 2 is a front view thereof;  
 FIG. 3 is a rear view thereof;  
 FIG. 4 is a left view thereof;  
 FIG. 5 is a right view thereof;  
 FIG. 6 is a top view thereof;  
 FIG. 7 is a bottom view thereof; and,  
 FIG. 8 is the perspective view embodying the utilization of tool handle in which the line is for illustrative purposes only and forms no part of the claimed design.

**1 Claim, 2 Drawing Sheets**



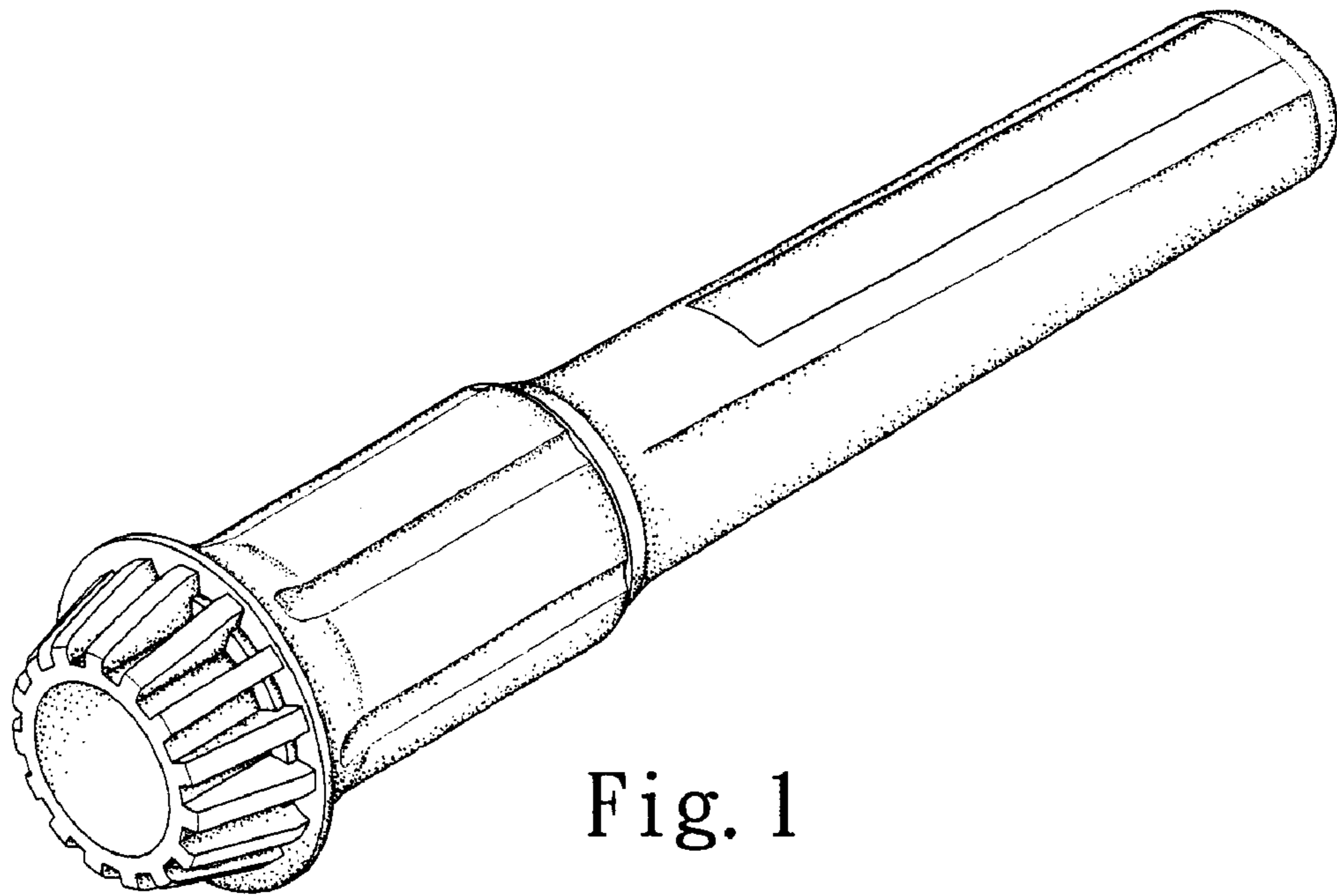


Fig. 1

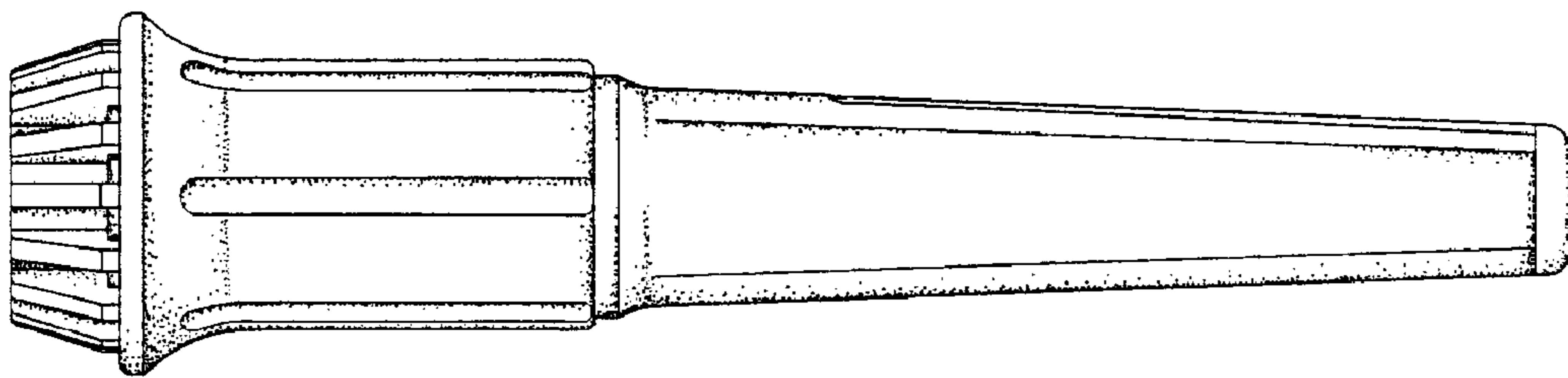


Fig. 2

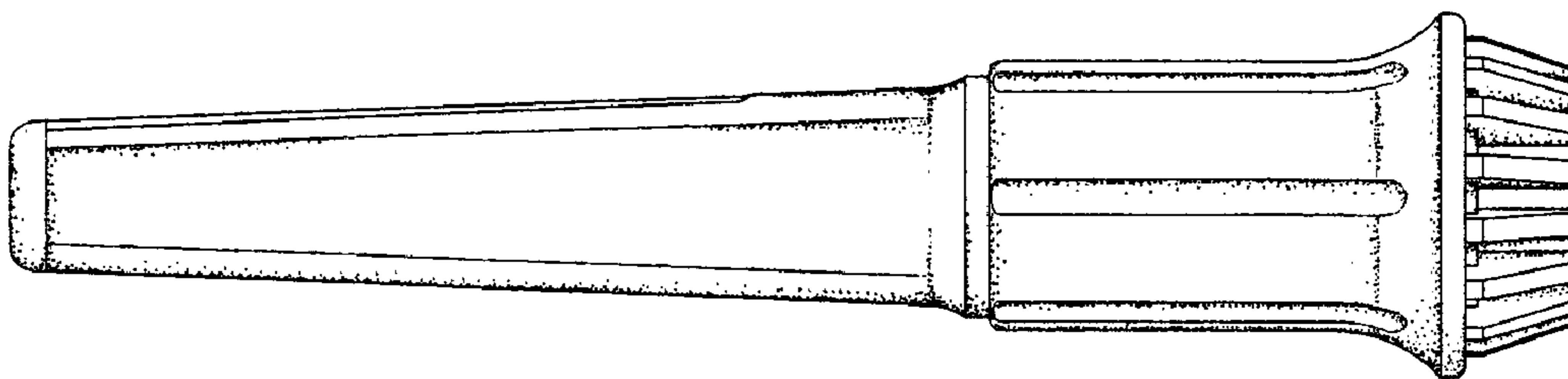


Fig. 3

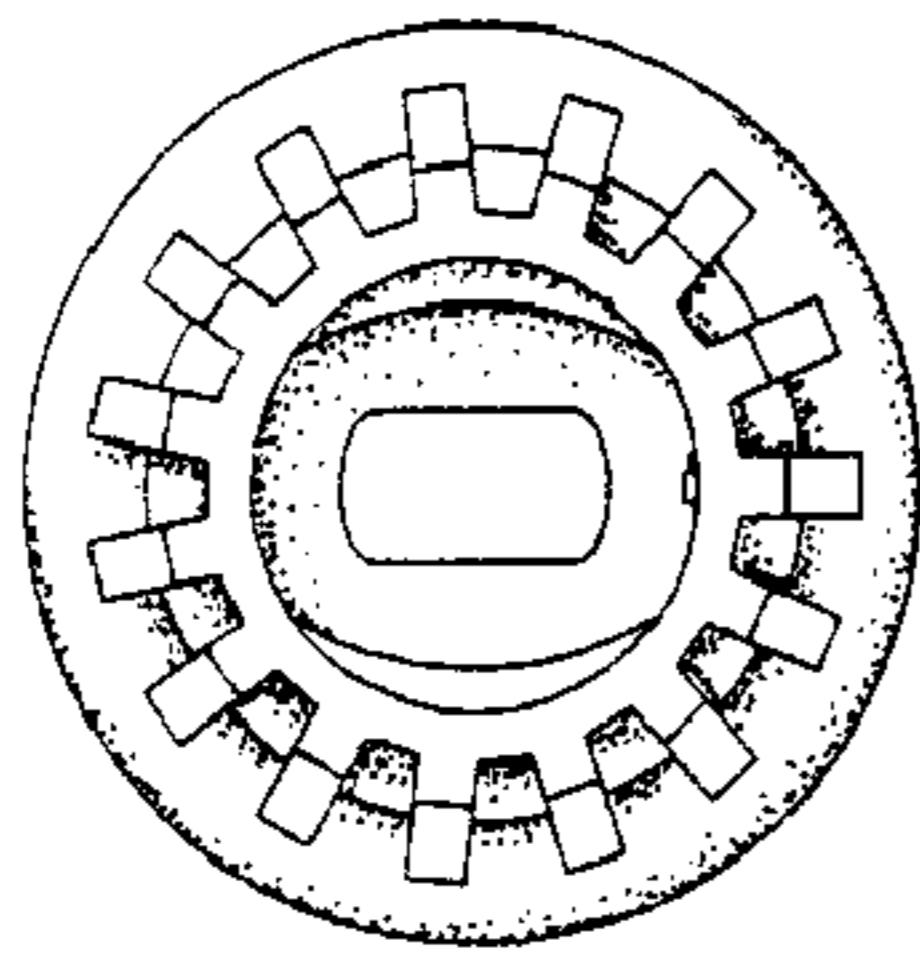


Fig. 4

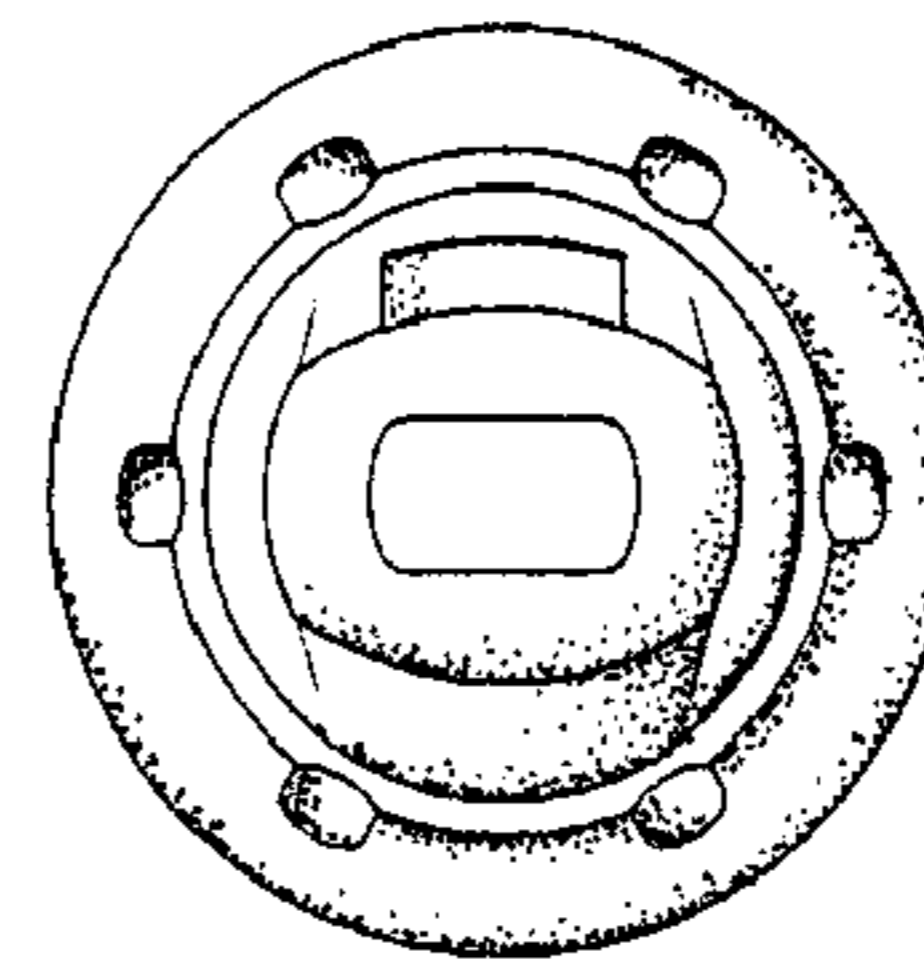


Fig. 5

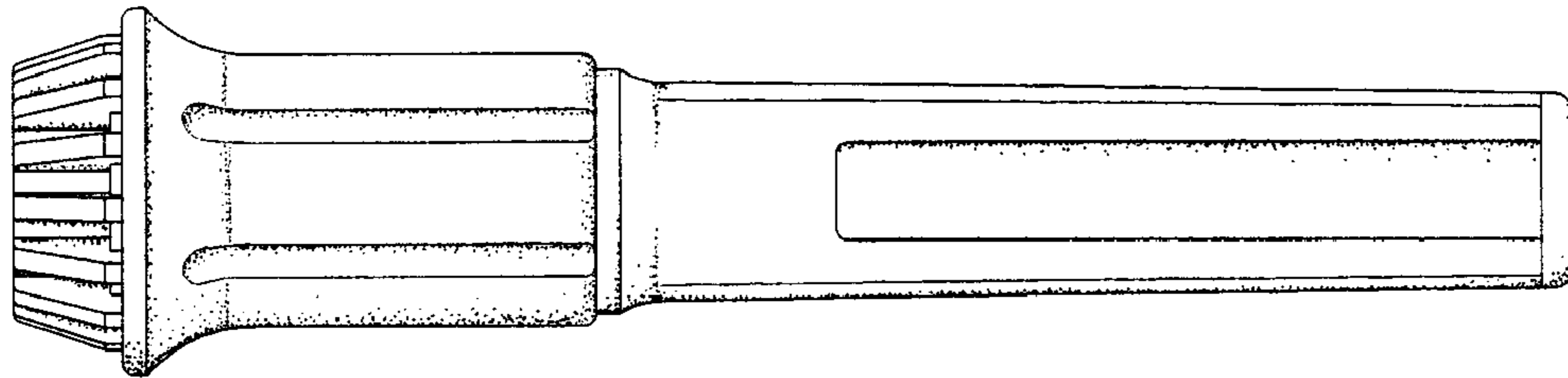


Fig. 6

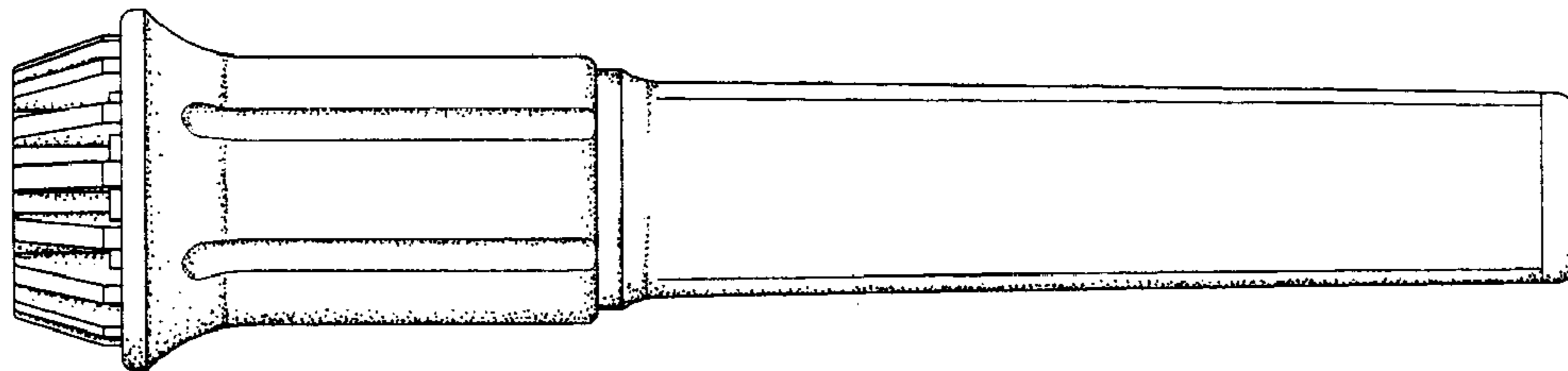


Fig. 7

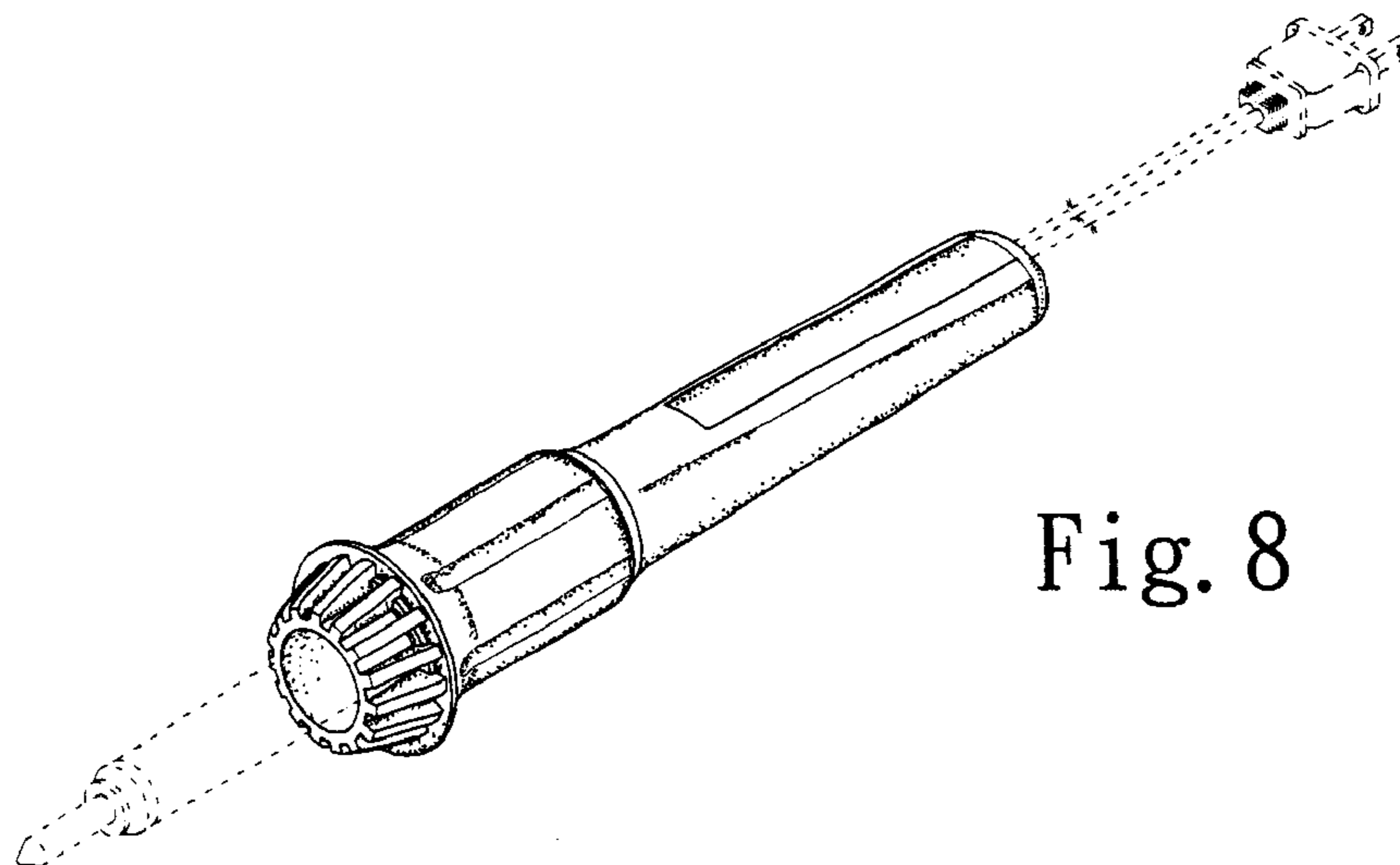


Fig. 8