



US00D519819S

(12) **United States Design Patent**
Jimenez

(10) **Patent No.:** **US D519,819 S**

(45) **Date of Patent:** **** May 2, 2006**

(54) **HANDLE**

(75) Inventor: **Eduardo J. Jimenez**, Manalapan, NJ
(US)

(73) Assignee: **KC Holdings, LLC**

(**) Term: **14 Years**

(21) Appl. No.: **29/195,532**

(22) Filed: **Dec. 15, 2003**

(51) **LOC (8) Cl.** **08-05**

(52) **U.S. Cl.** **D8/107; D8/10**

(58) **Field of Classification Search** D8/52,
D8/107, 10, 45, 83; D7/649, 401.2; 30/147-150,
30/340, 345; 16/421-422; 81/177.1, 436-440;
294/49

See application file for complete search history.

(56) **References Cited**

U.S. PATENT DOCUMENTS

D365,257 S	*	12/1995	Huang	D8/10
D371,499 S		7/1996	Gomas	D8/107
D387,649 S	*	12/1997	Concari et al.	D8/107
D398,828 S		9/1998	Shiao	D8/83
D405,341 S		2/1999	Hsu	D8/107
D407,267 S	*	3/1999	Juhlin et al.	D7/401.2
D408,252 S		4/1999	Holland-Letz	D8/83

D416,440 S	*	11/1999	Juhlin et al.	D7/401.2
D436,822 S		1/2001	Douglas	D8/83
D442,053 S		5/2001	Jimenez	D8/95
D445,658 S		7/2001	Dierolf	D8/83
D446,105 S		8/2001	Hsiao	D8/107
D455,944 S		4/2002	Chen	D8/107
D456,686 S		5/2002	Holland-Letz	D8/83
6,662,406 B1	*	12/2003	Shonfeld et al.	16/431

* cited by examiner

Primary Examiner—Pamela Burgess

(74) *Attorney, Agent, or Firm*—Wolff Law Offices, PLLC;
Kevin Alan Wolff

(57) **CLAIM**

The ornamental design for a handle, as shown and described.

DESCRIPTION

FIG. 1 is a left perspective view of a handle showing my new design;

FIG. 2 is a left side elevational view thereof, the undisclosed right side elevational view being a mirror image;

FIG. 3 is a top plan view thereof;

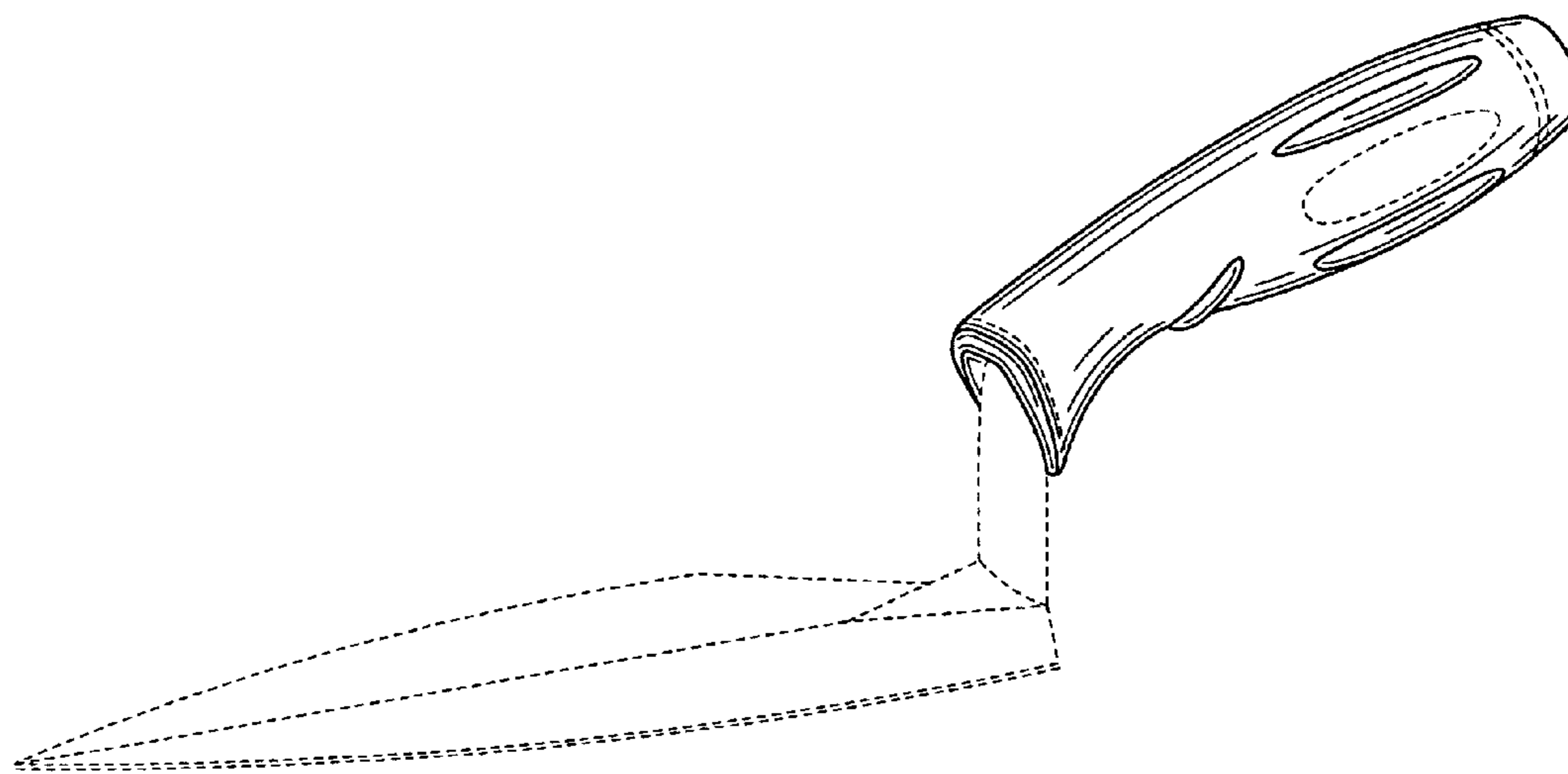
FIG. 4 is a bottom plan view thereof;

FIG. 5 is a front elevational view thereof; and,

FIG. 6 is a rear elevational view thereof.

The broken lines shown in FIGS. 1-6 are for illustrative purposes only and form no part of the claimed design.

1 Claim, 5 Drawing Sheets



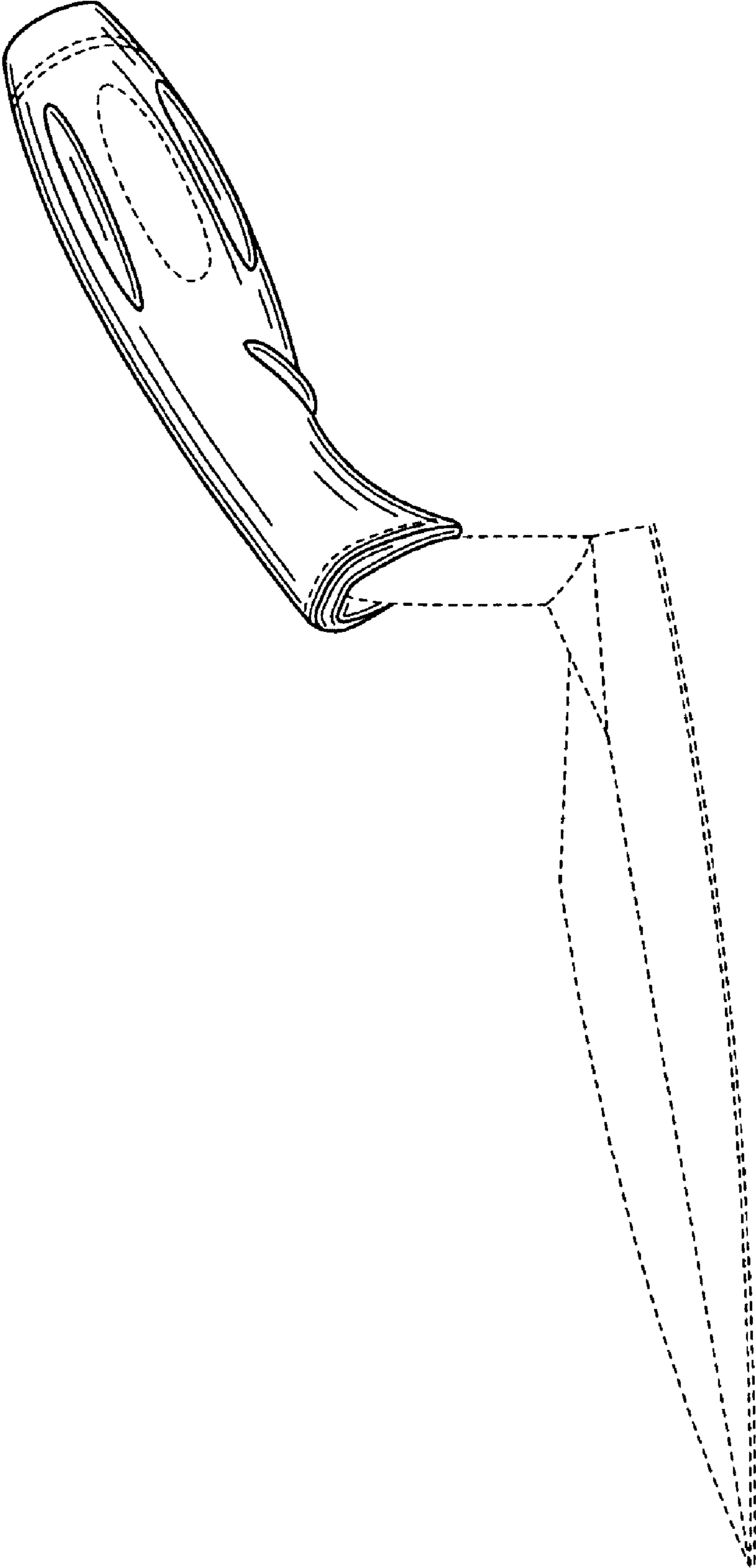


FIG. 1

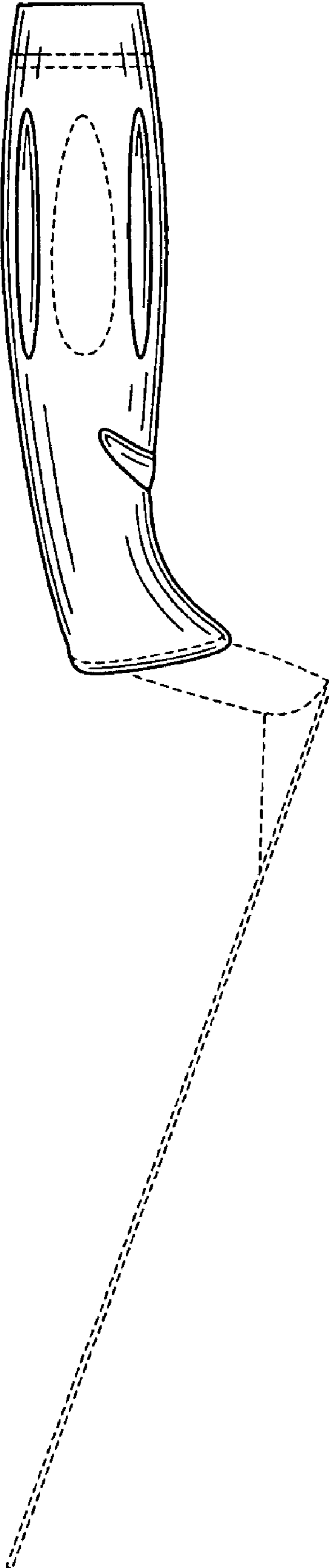


FIG. 2

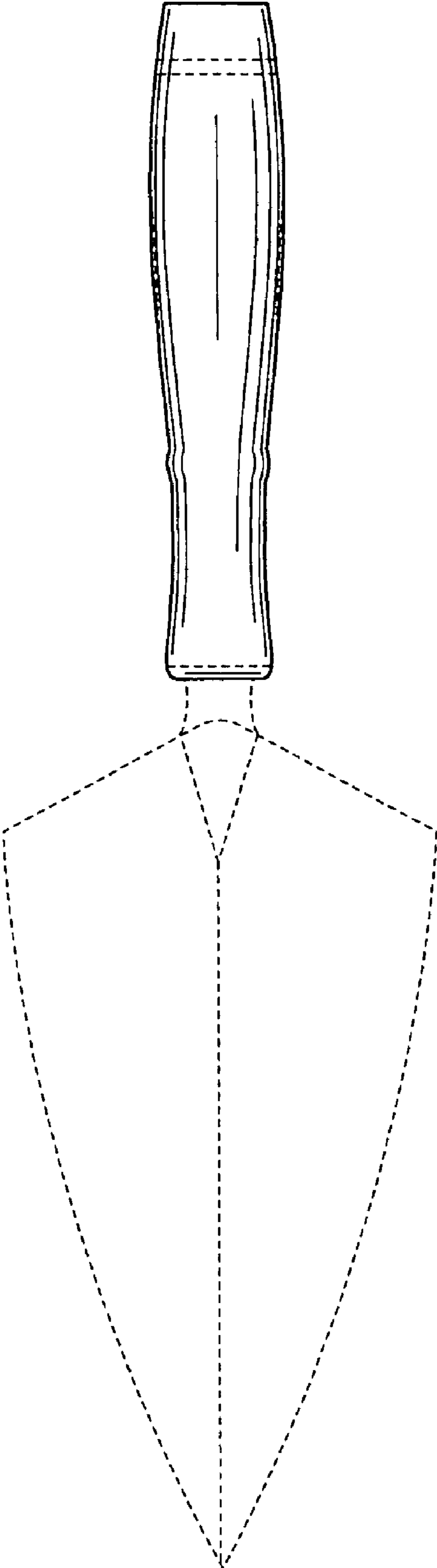


FIG. 3

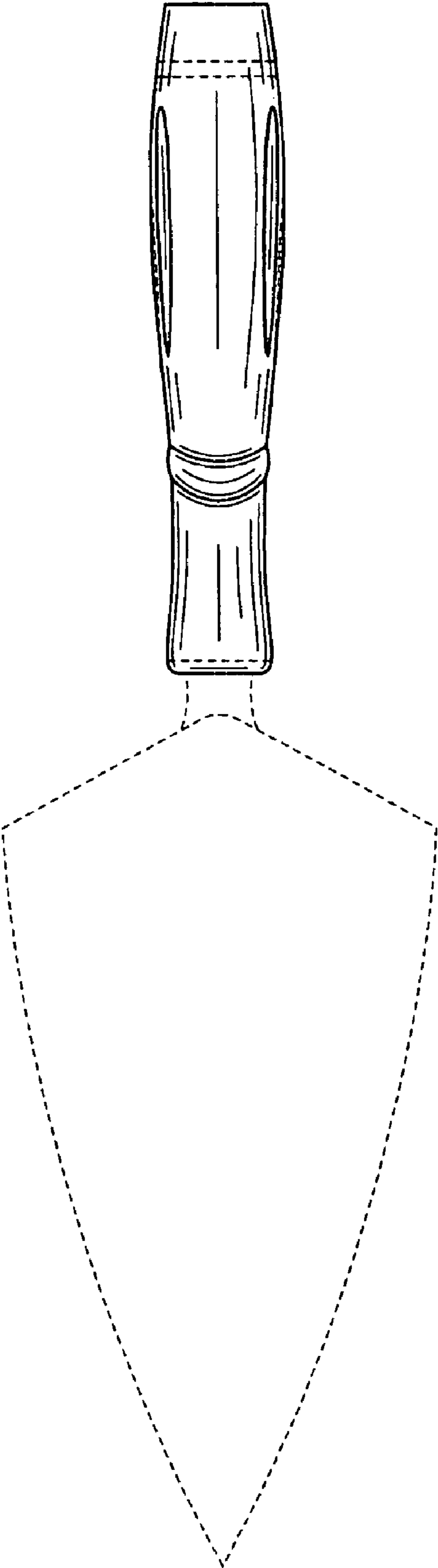


FIG. 4

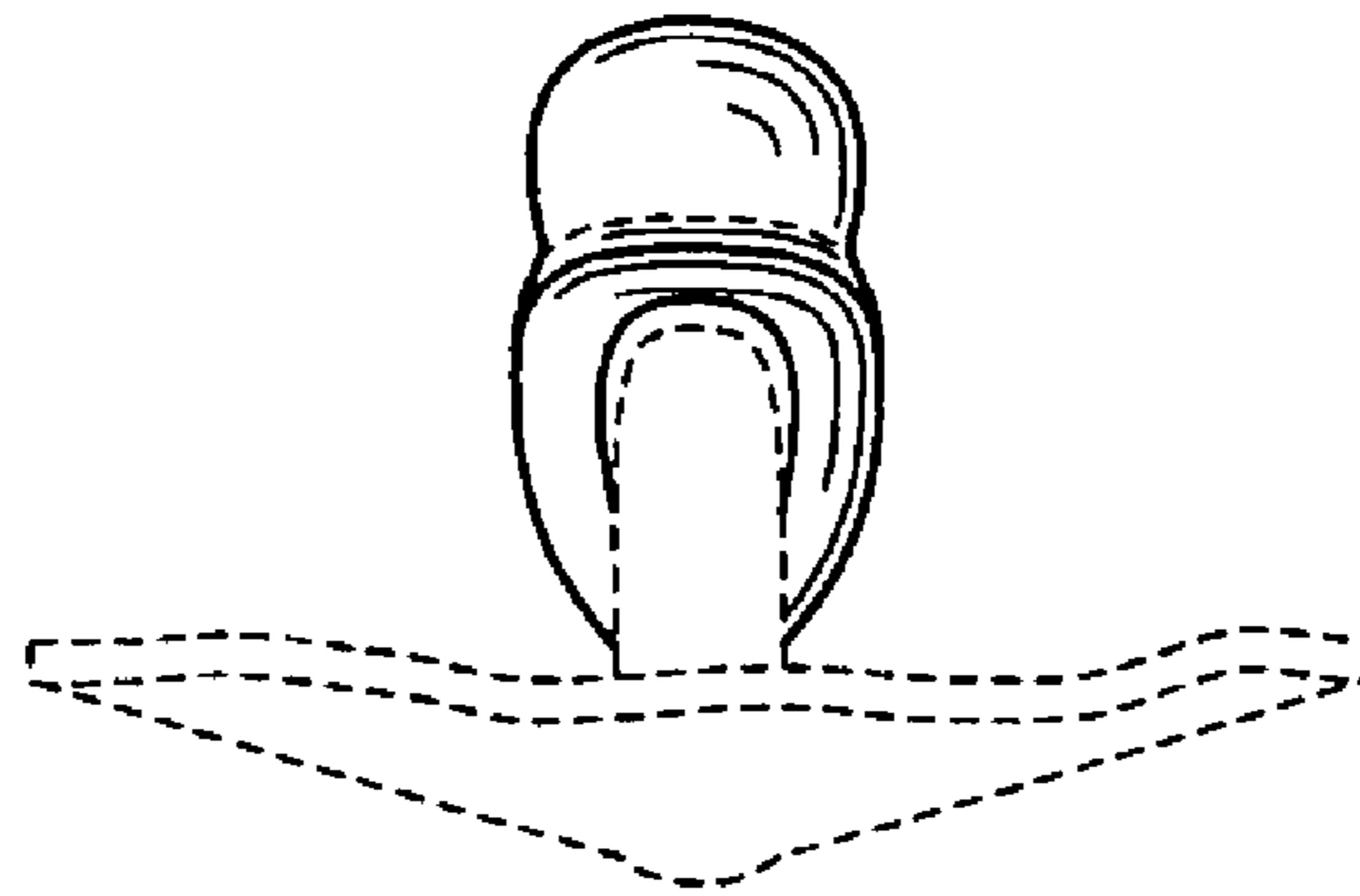


FIG. 5

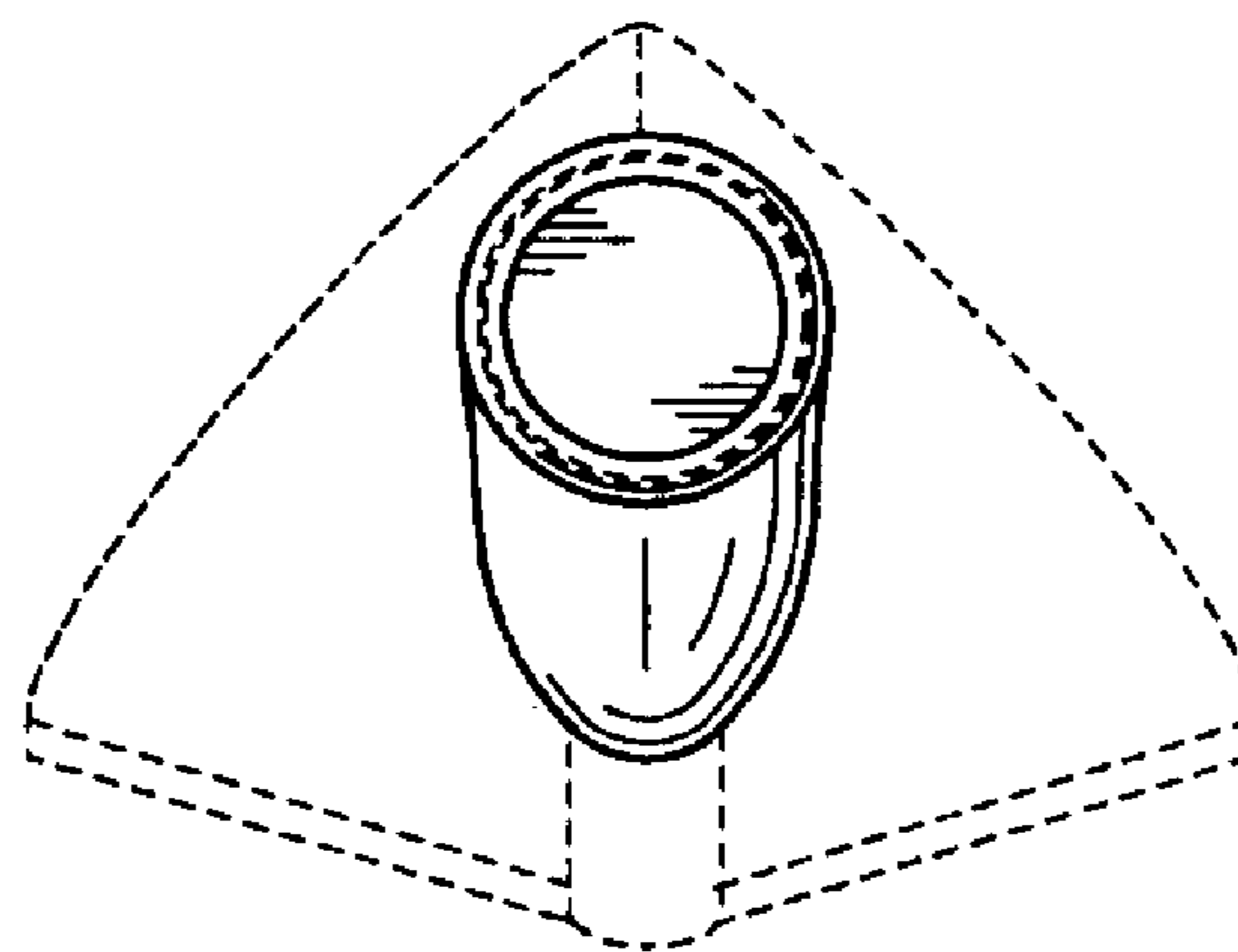


FIG. 6