



US00D519817S

(12) **United States Design Patent**  
**Wong**

(10) **Patent No.:** **US D519,817 S**

(45) **Date of Patent:** **\*\* May 2, 2006**

(54) **FOLDING CUTTER KNIFE**

(76) Inventor: **Wai Yip Wong**, Flat B, 11/FL., Block 6, Classical Garden II, Tai Po, New Territories, Hong Kong (CN)

(\*\*) Term: **14 Years**

(21) Appl. No.: **29/206,923**

(22) Filed: **Jun. 5, 2004**

(51) **LOC (8) Cl.** ..... **08-03**

(52) **U.S. Cl.** ..... **D8/99**

(58) **Field of Classification Search** ..... D8/98,  
D8/99, 105, 107; 30/154, 155, 156, 158,  
30/157, 159, 160, 161, 162, 330, 329  
See application file for complete search history.

(56) **References Cited**

U.S. PATENT DOCUMENTS

|           |    |   |        |                |       |        |
|-----------|----|---|--------|----------------|-------|--------|
| 5,769,094 | A  | * | 6/1998 | Jenkins et al. | ..... | 30/161 |
| 6,354,007 | B1 | * | 3/2002 | Scarla         | ..... | 30/156 |
| 6,574,868 | B1 | * | 6/2003 | Overholt       | ..... | 30/155 |
| 6,675,485 | B1 | * | 1/2004 | Shih et al.    | ..... | 30/321 |
| D494,437  | S  | * | 8/2004 | Scarla         | ..... | D8/99  |
| D495,939  | S  | * | 9/2004 | Ping           | ..... | D8/99  |
| D501,782  | S  | * | 2/2005 | Ping           | ..... | D8/99  |

\* cited by examiner

*Primary Examiner*—Philip S. Hyder

(57) **CLAIM**

The ornamental design for a folding cutter knife, as shown and described.

**DESCRIPTION**

FIG. 1 is a front elevational view of a folding cutter knife showing my new design;

FIG. 2 is a rear elevational view thereof;

FIG. 3 is a top plan view thereof;

FIG. 4 is a bottom plan view thereof;

FIG. 5 is a right side view thereof;

FIG. 6 is a left side view thereof;

FIG. 7 is a front elevational view thereof with the blade being partially pulled out;

FIG. 8 is a rear elevational view thereof with the blade being partially pulled out;

FIG. 9 is a top plan view thereof with the blade being partially pulled out;

FIG. 10 is a bottom plan view thereof with the blade being partially pulled out;

FIG. 11 is a right side view thereof with the blade being partially pulled out;

FIG. 12 is a left side view thereof with the blade being partially pulled out;

FIG. 13 is a front elevational view thereof with the blade being fully pulled out;

FIG. 14 is a rear elevational view thereof with the blade being fully pulled out;

FIG. 15 is a top plan view thereof with the blade being fully pulled out;

FIG. 16 is a bottom plan view thereof with the blade being fully pulled out;

FIG. 17 is a right side view thereof with the blade being fully pulled out;

FIG. 18 is a left side view thereof with the blade being fully pulled out;

FIG. 19 is a front elevational view thereof with the implement being pulled out;

FIG. 20 is a rear elevational view thereof with the implement being pulled out;

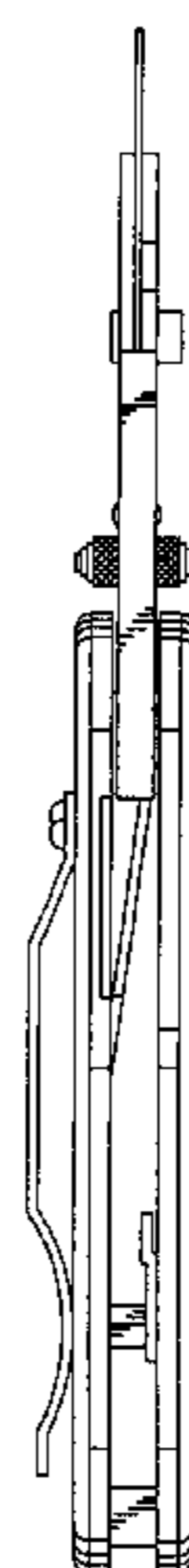
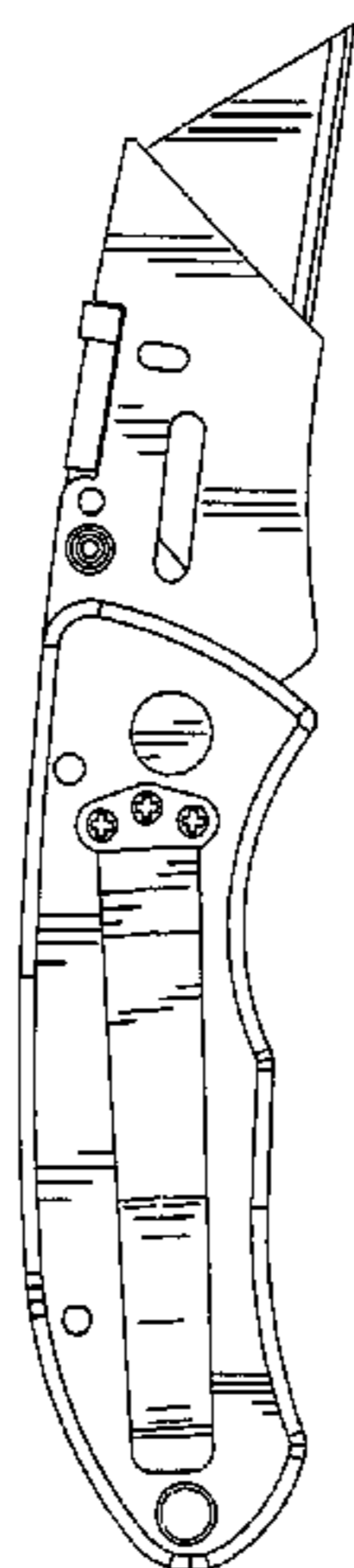
FIG. 21 is a top plan view thereof with the implement being pulled out;

FIG. 22 is a bottom plan view thereof with the implement being pulled out;

FIG. 23 is a right side view thereof with the implement being pulled out; and,

FIG. 24 is a left side view thereof with the implement being pulled out.

**1 Claim, 8 Drawing Sheets**



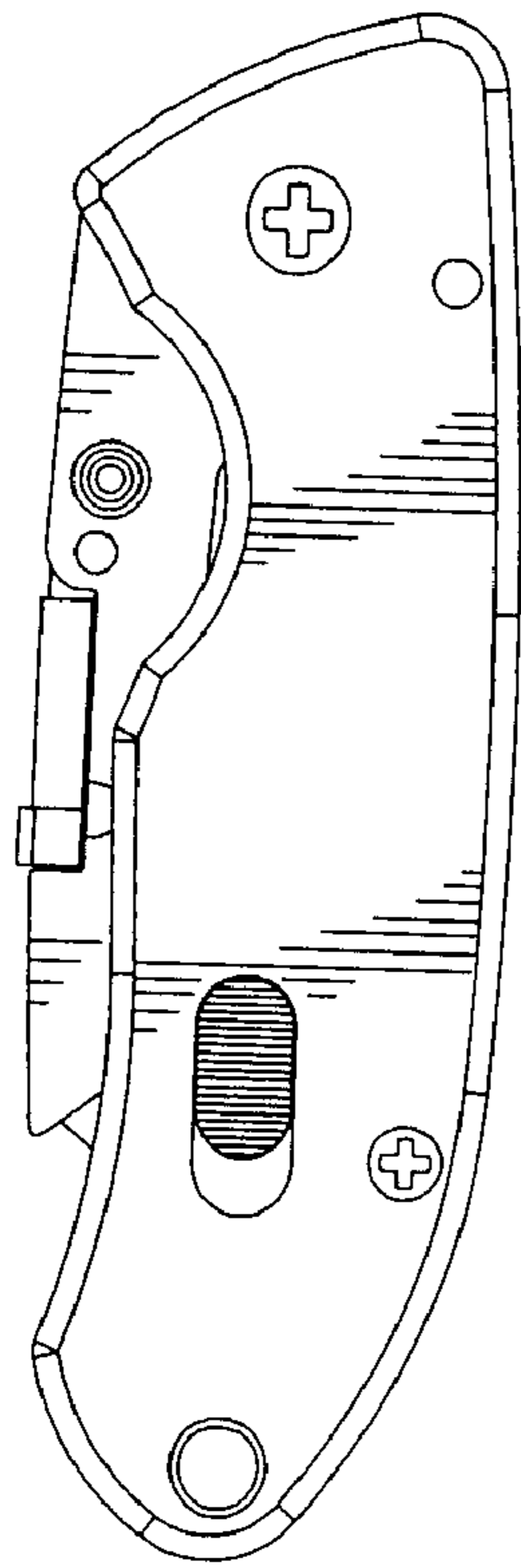


FIG. 1

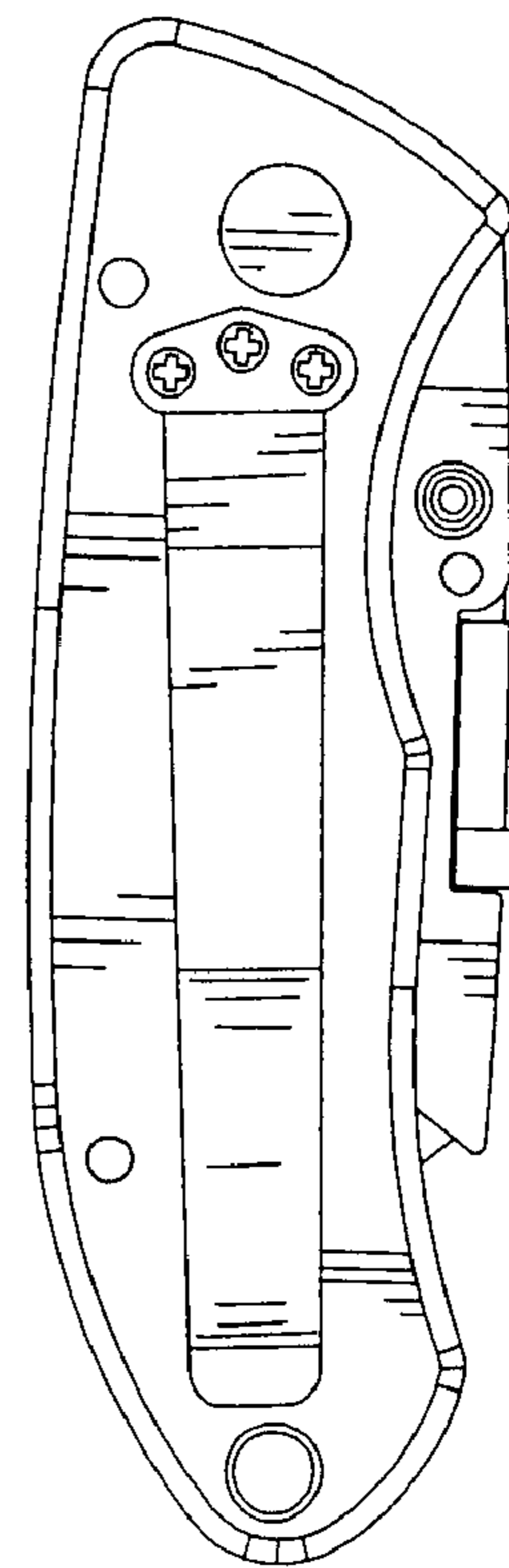


FIG. 2

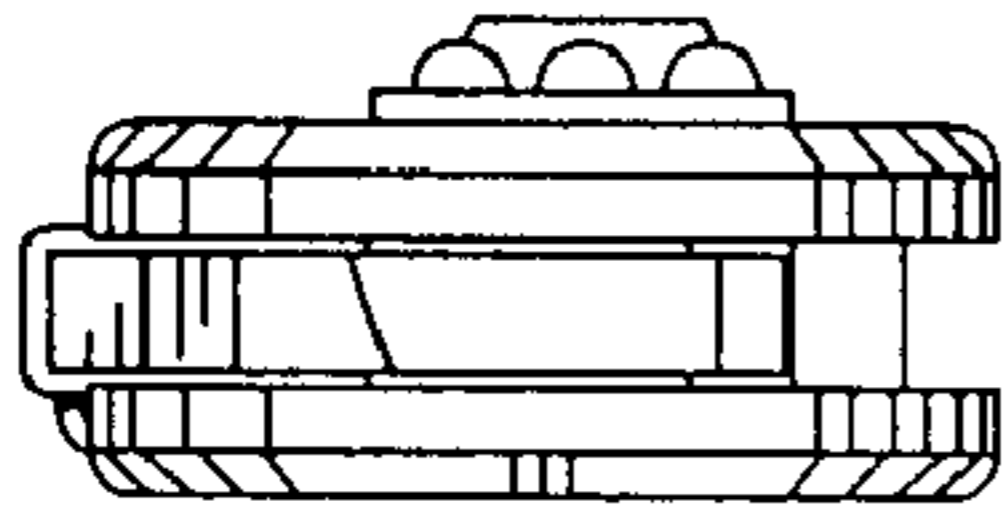


FIG. 3

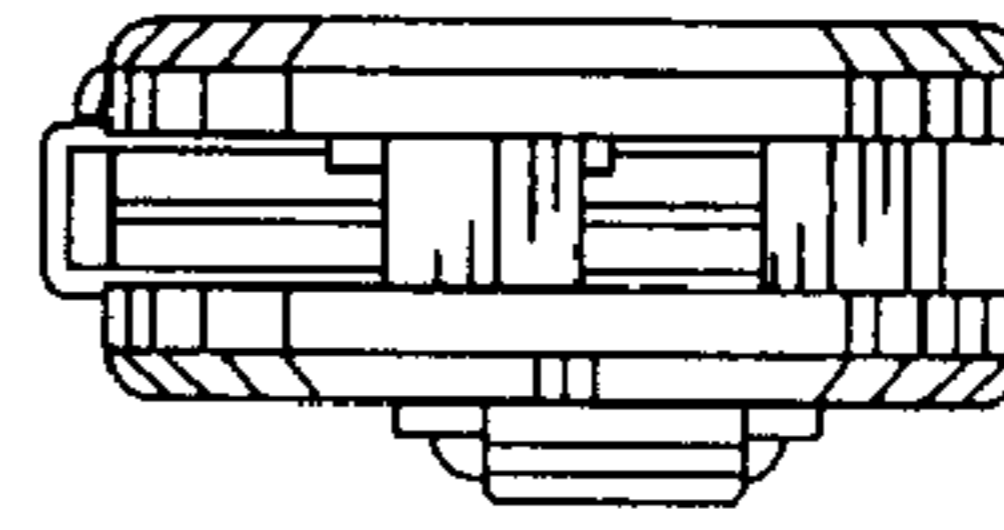


FIG. 4

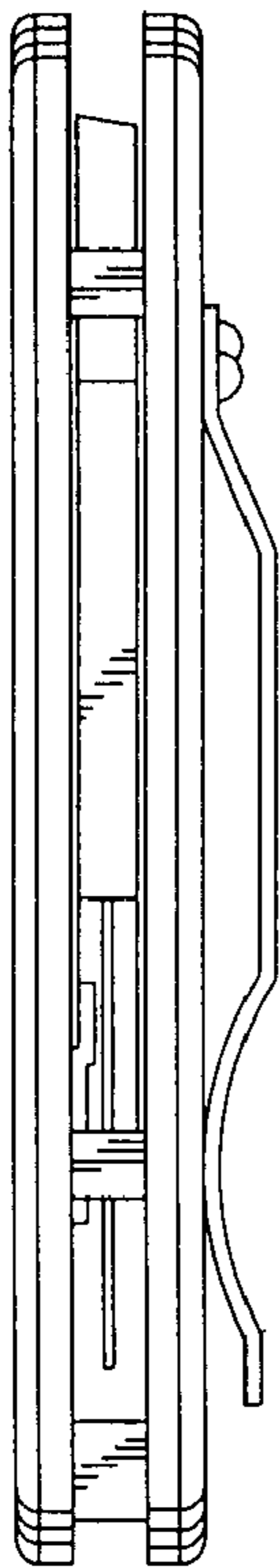


FIG. 5

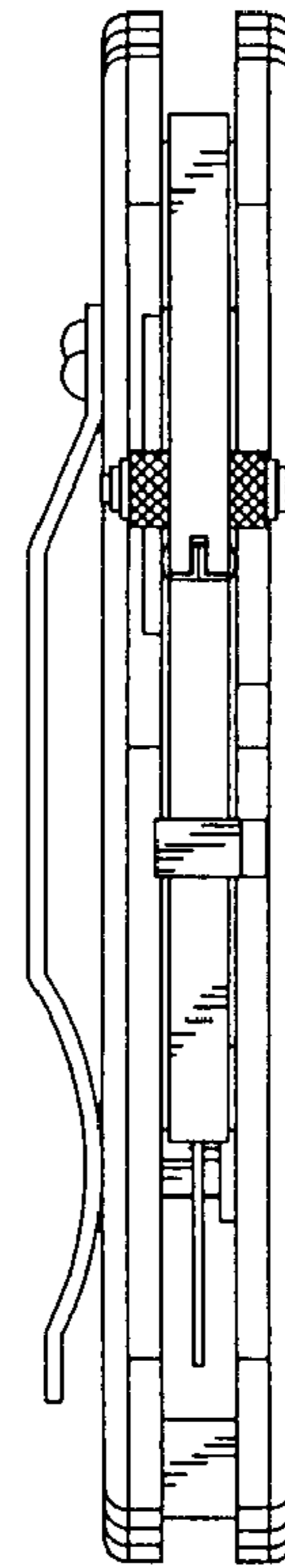


FIG. 6

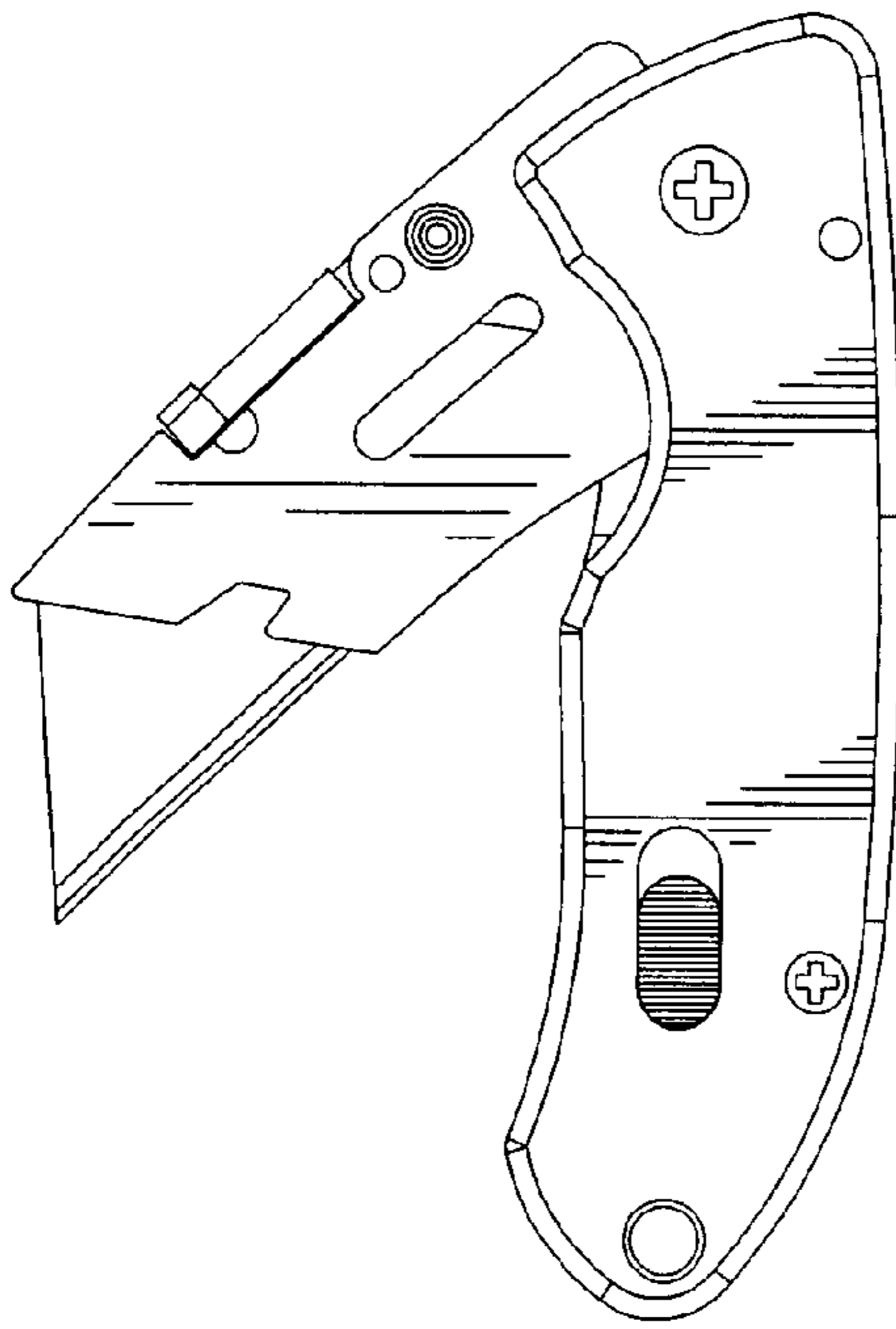


FIG. 7

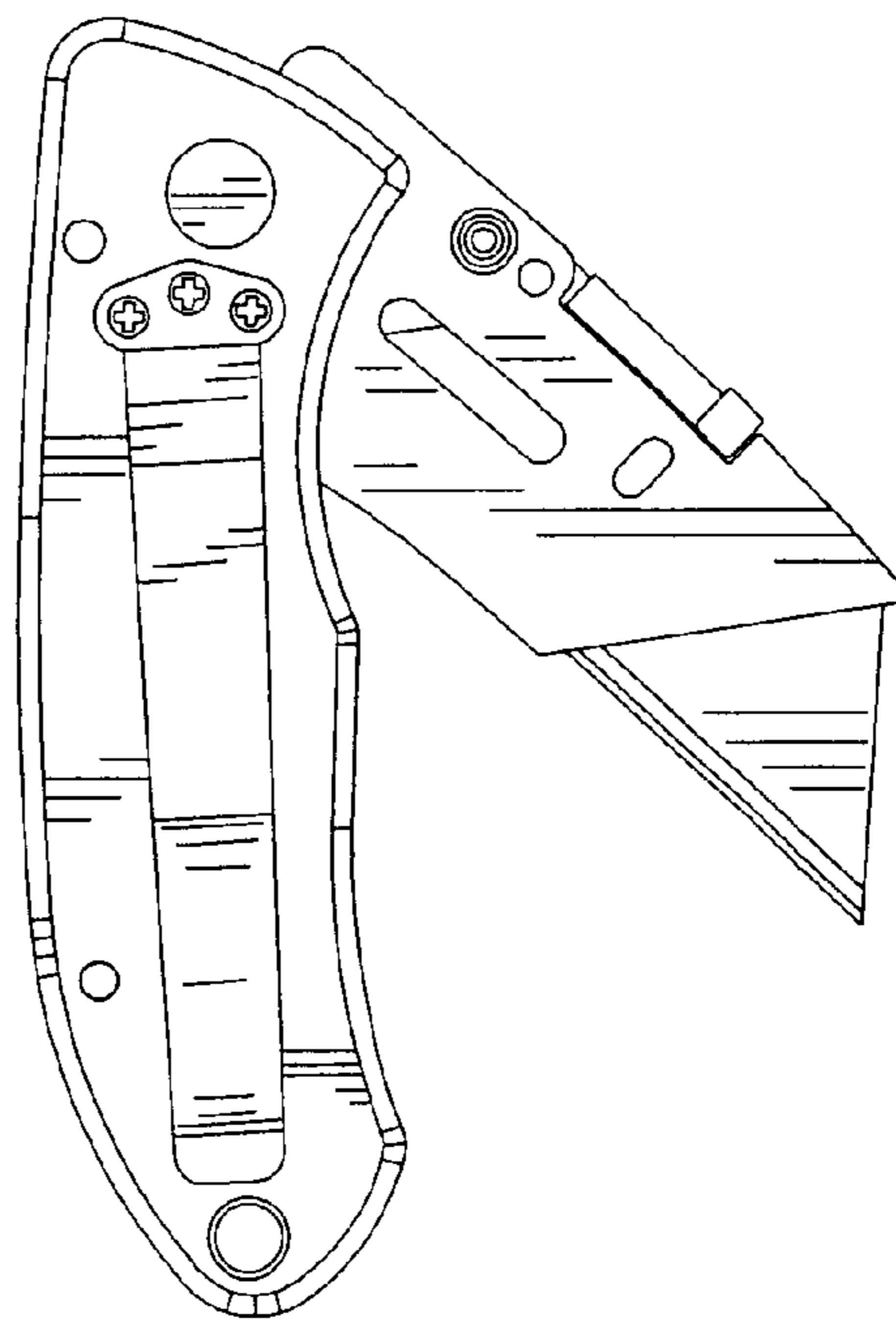


FIG. 8

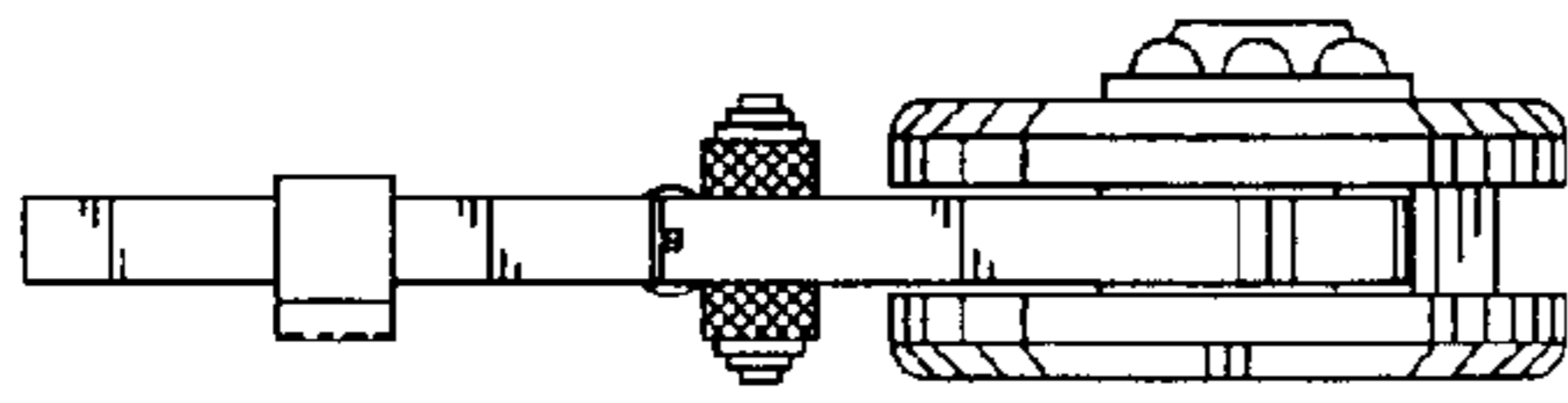


FIG. 9

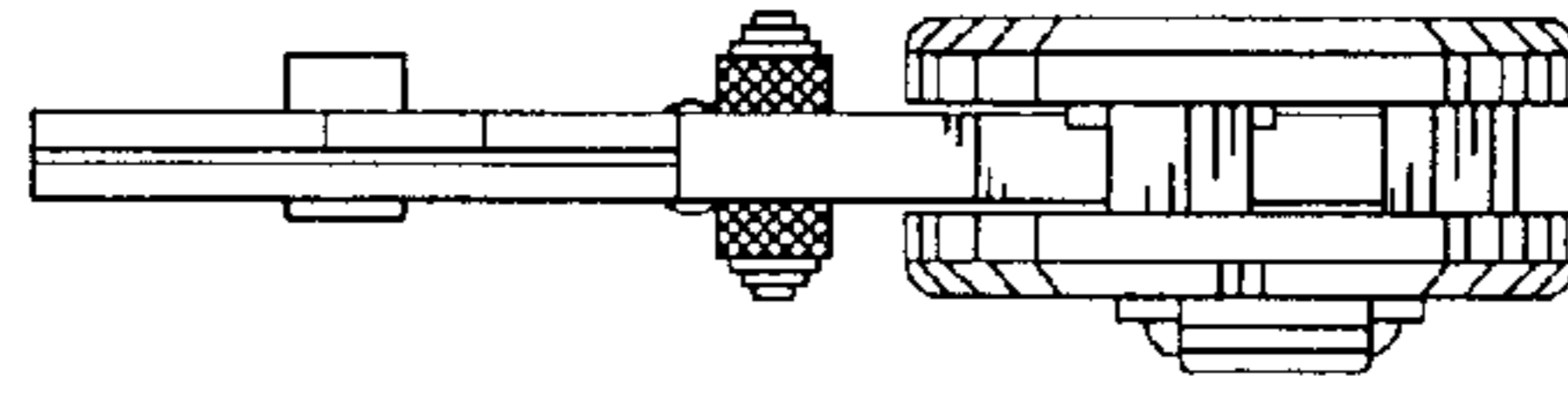


FIG. 10

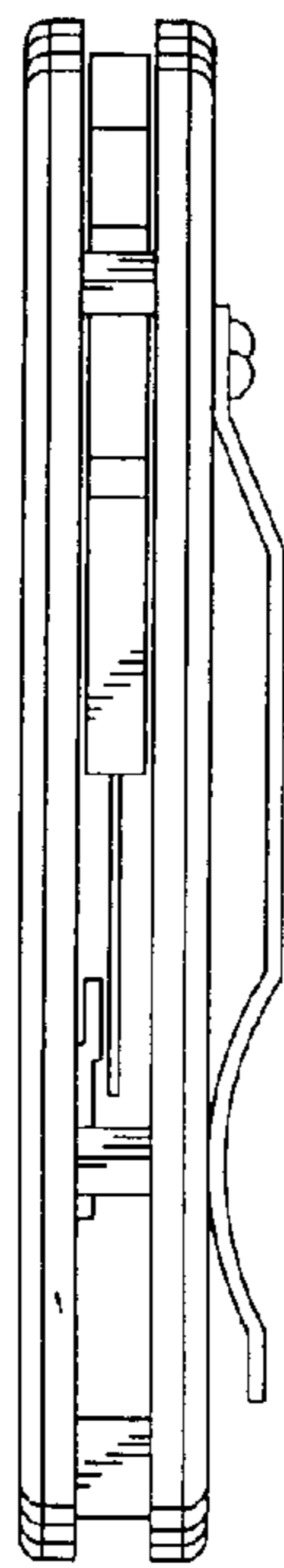


FIG. 11

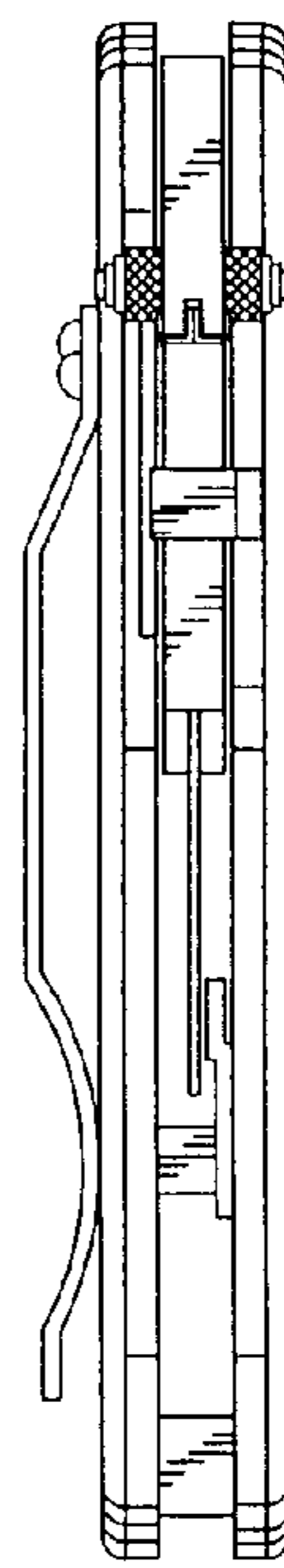


FIG. 12

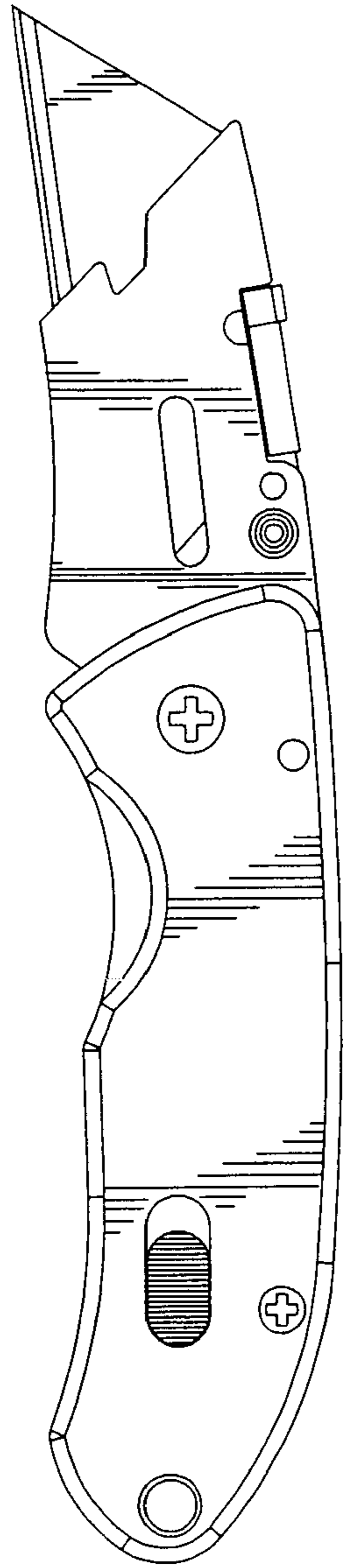


FIG. 13

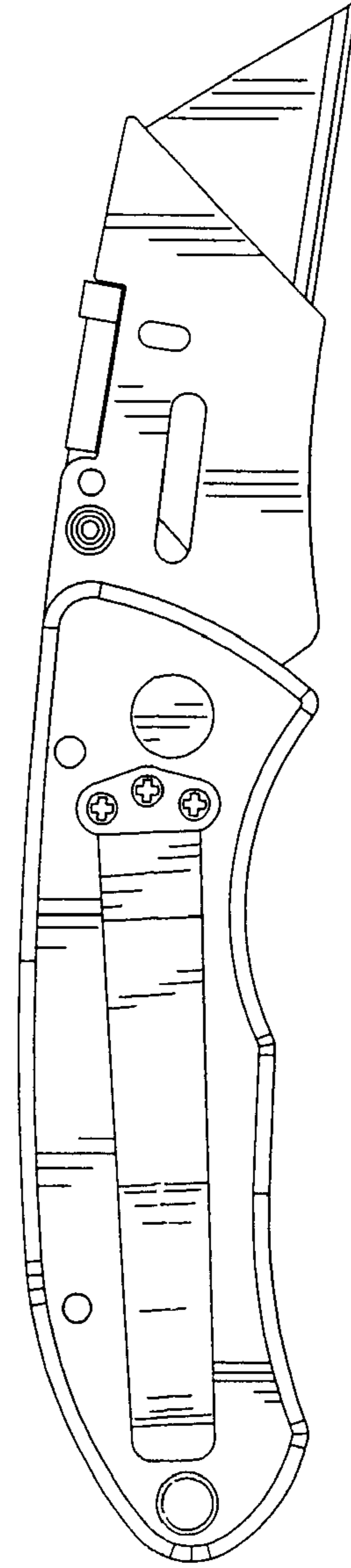


FIG. 14

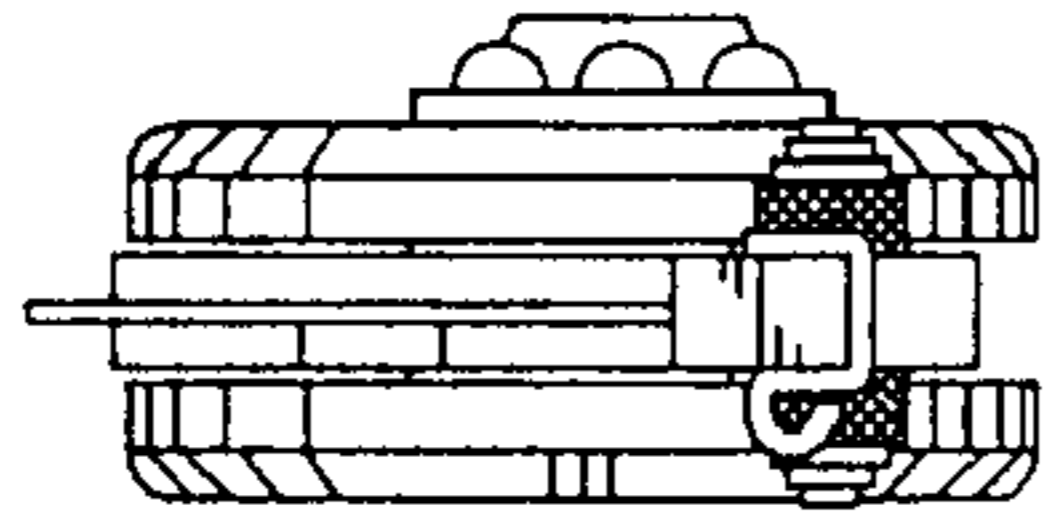


FIG. 15

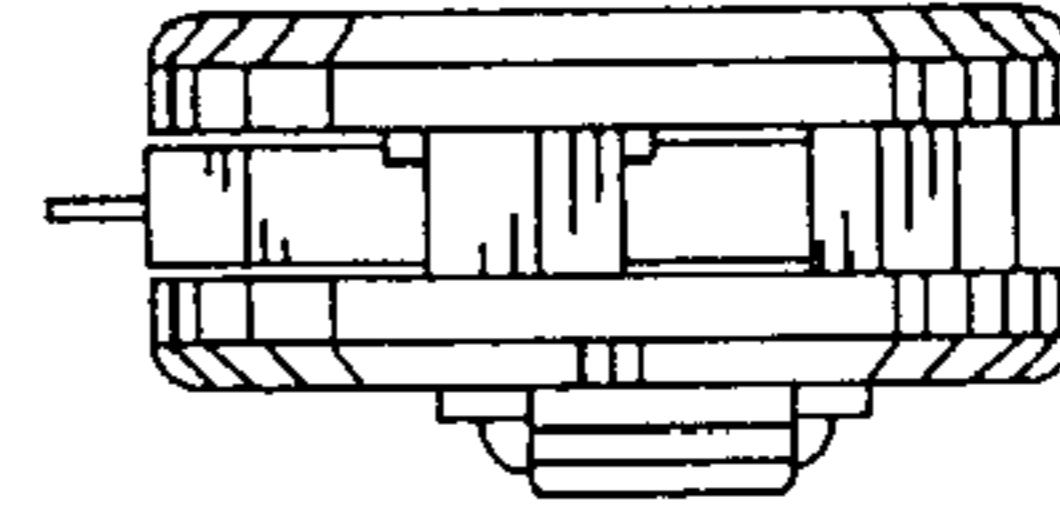


FIG. 16

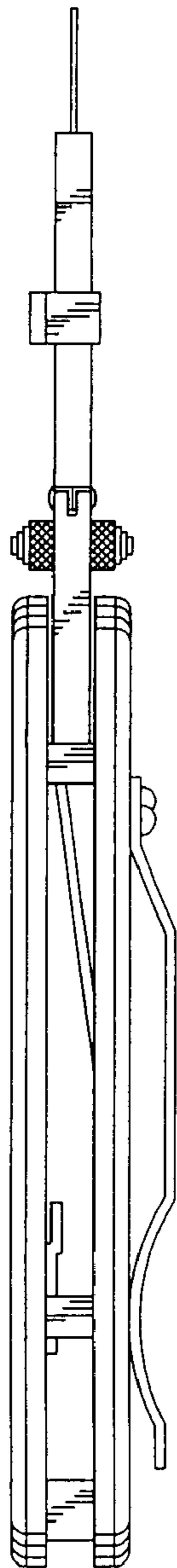


FIG. 17

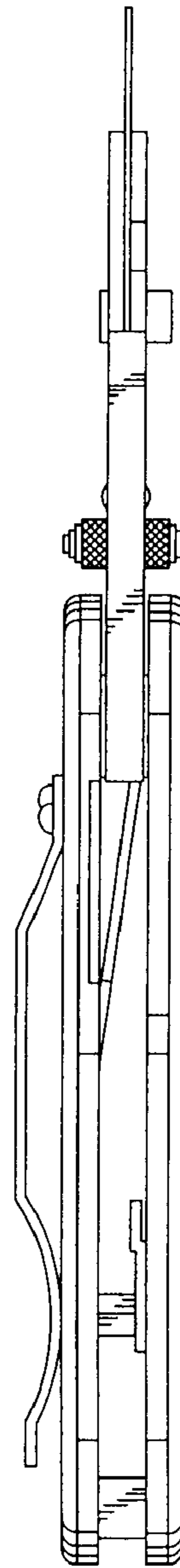


FIG. 18

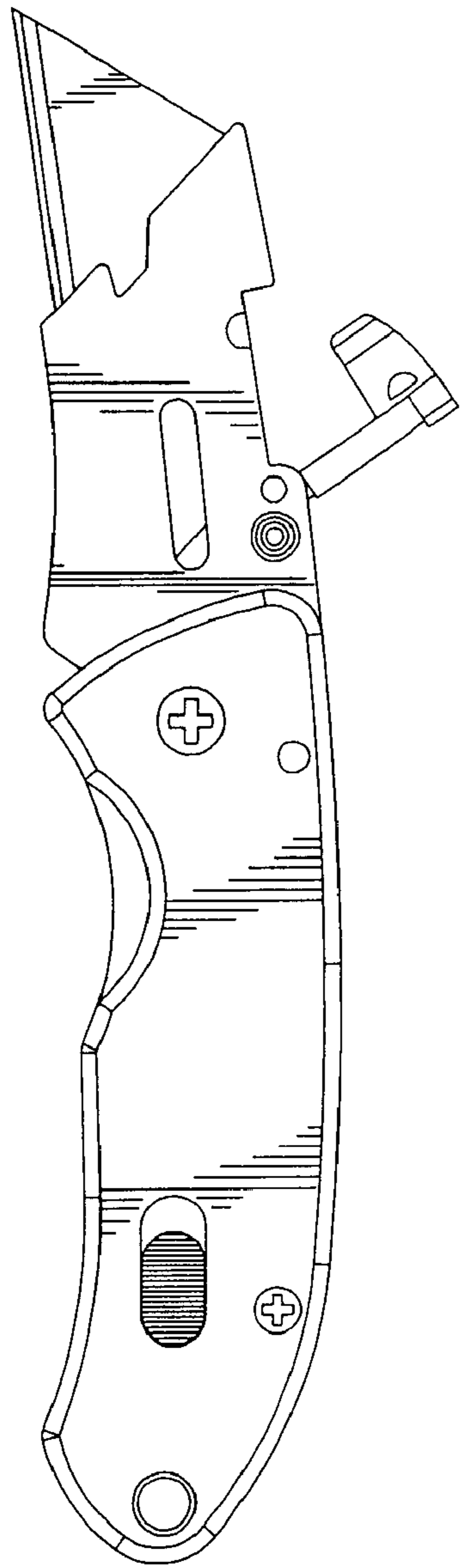


FIG. 19

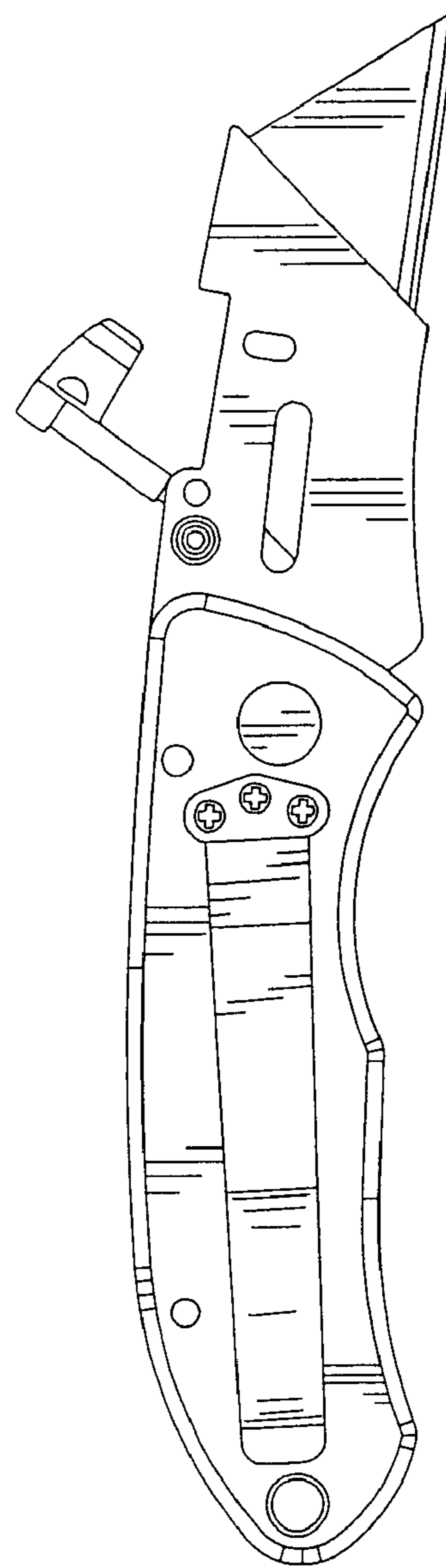


FIG. 20



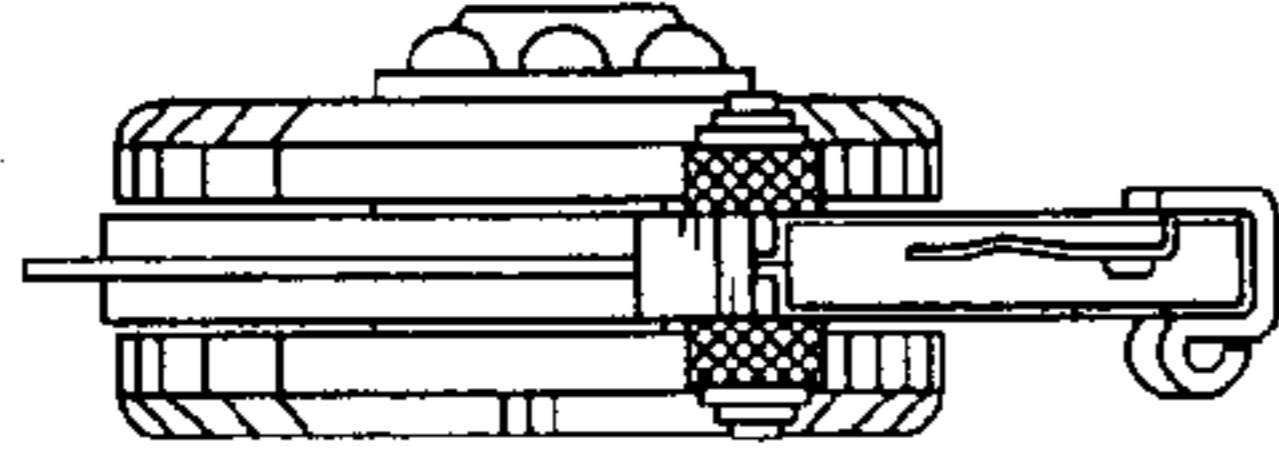


FIG. 21

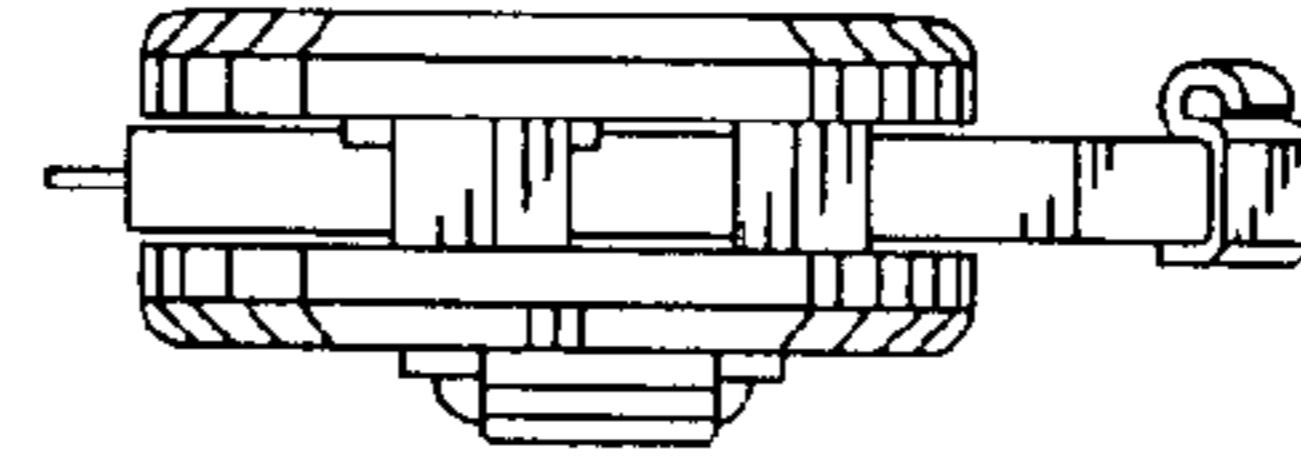


FIG. 22

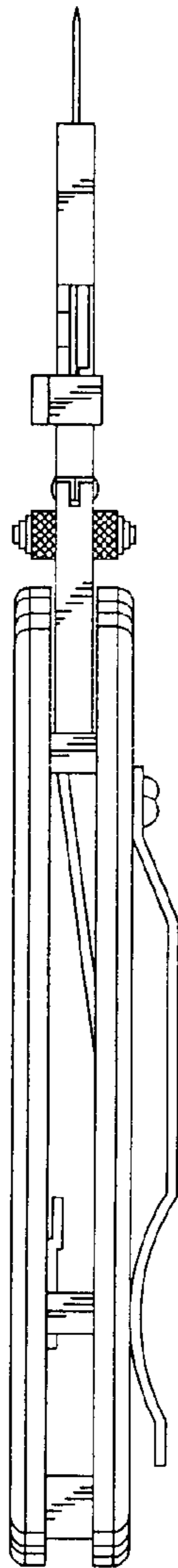


FIG. 23

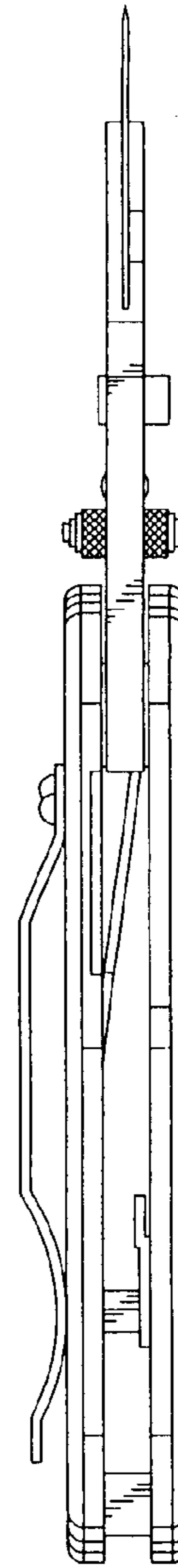


FIG. 24