



US00D519815S

(12) **United States Design Patent**
Friel, Sr. et al.

(10) **Patent No.:** **US D519,815 S**

(45) **Date of Patent:** **** May 2, 2006**

(54) **MANUAL SHARPENER**

(75) Inventors: **Daniel D. Friel, Sr.**, Greenville, DE
(US); **Abraham Leibson**, Lambertville,
NJ (US)

(73) Assignee: **Edgecraft Corporation**, Avondale, PA
(US)

(**) Term: **14 Years**

(21) Appl. No.: **29/204,486**

(22) Filed: **Apr. 29, 2004**

(51) **LOC (8) Cl.** **08-05**

(52) **U.S. Cl.** **D8/91; D8/93**

(58) **Field of Classification Search** D8/90,
D8/91, 92, 93, 63; 76/82, 86, 88; 451/262,
451/267, 293, 552, 555, 557

See application file for complete search history.

(56) **References Cited**

U.S. PATENT DOCUMENTS

D276,886 S	*	12/1984	Carter	D8/93
D309,414 S	*	7/1990	Shimizu	D8/93
D309,415 S	*	7/1990	Shimizu	D8/93
D315,663 S	*	3/1991	Dolbosco	D8/93

D331,688 S	*	12/1992	Busse	D8/63
D342,003 S	*	12/1993	Friel et al.	D8/63
D357,395 S	*	4/1995	Friel	D8/93
D368,217 S	*	3/1996	Friel	D8/93
D372,181 S	*	7/1996	Kelley	D8/93
D388,304 S	*	12/1997	Friel	D8/93
D392,869 S	*	3/1998	Rieser	D8/93
D473,777 S	*	4/2003	Thompson et al.	D8/93

* cited by examiner

Primary Examiner—Philip S. Hyder

(57) **CLAIM**

The ornamental design for a manual sharpener, as shown and described.

DESCRIPTION

FIG. 1 is a perspective view of a manual sharpener showing my new design;

FIG. 2 is a top plan view thereof;

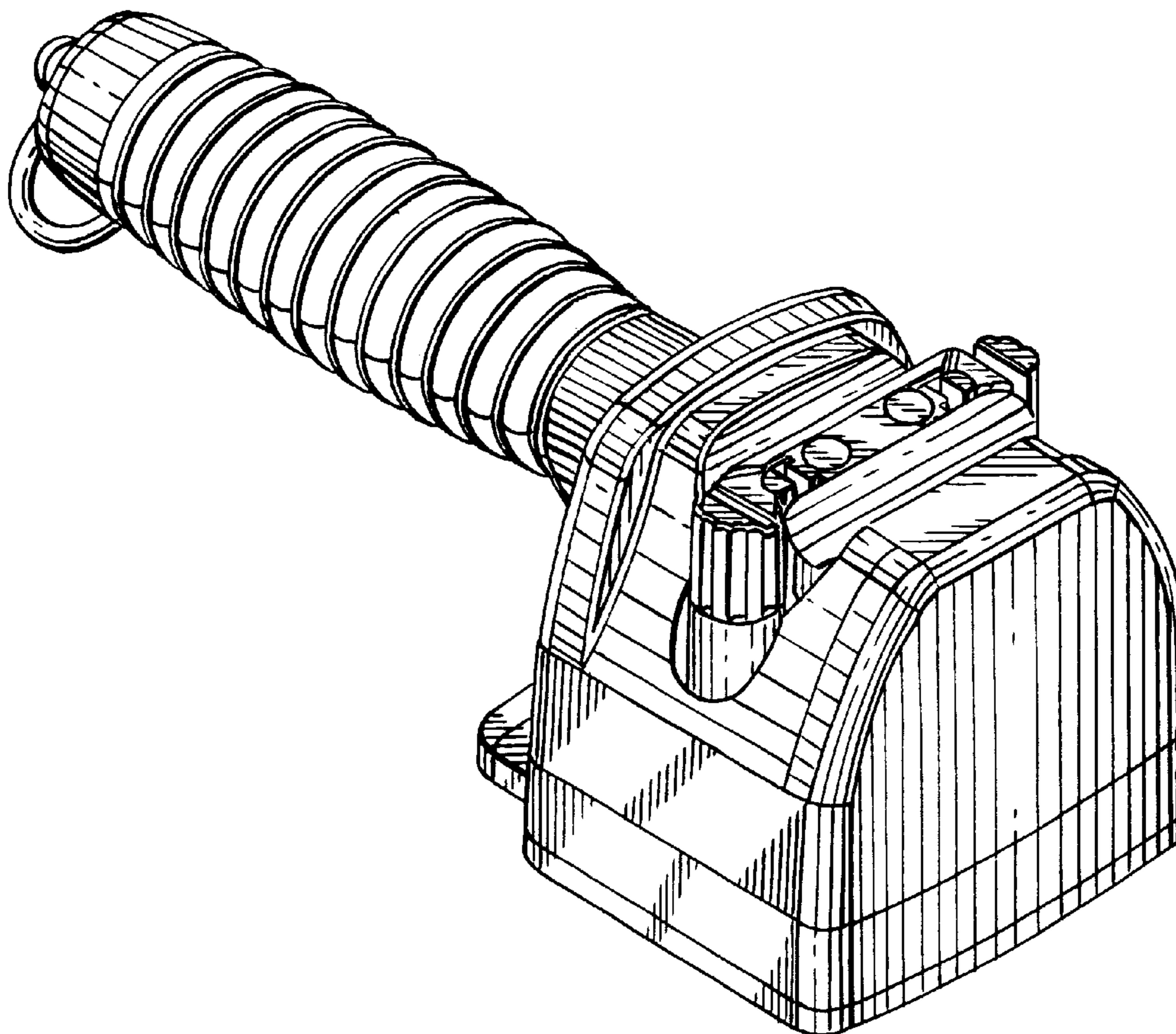
FIG. 3 is a left side elevational view thereof, the right side elevational view being identical;

FIG. 4 is a front elevational view thereof;

FIG. 5 is a rear elevational view thereof; and,

FIG. 6 is a bottom plan view thereof.

1 Claim, 2 Drawing Sheets



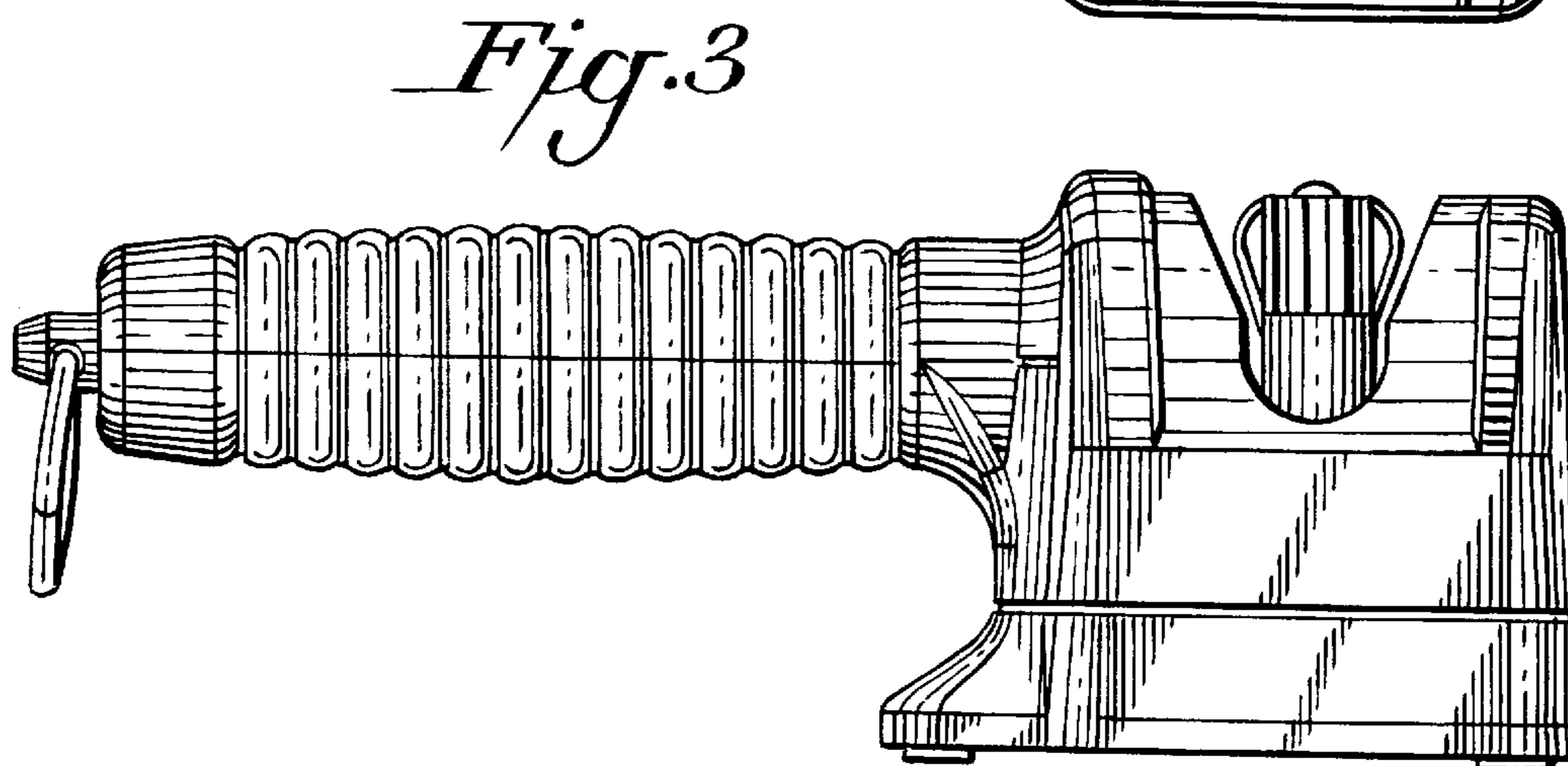
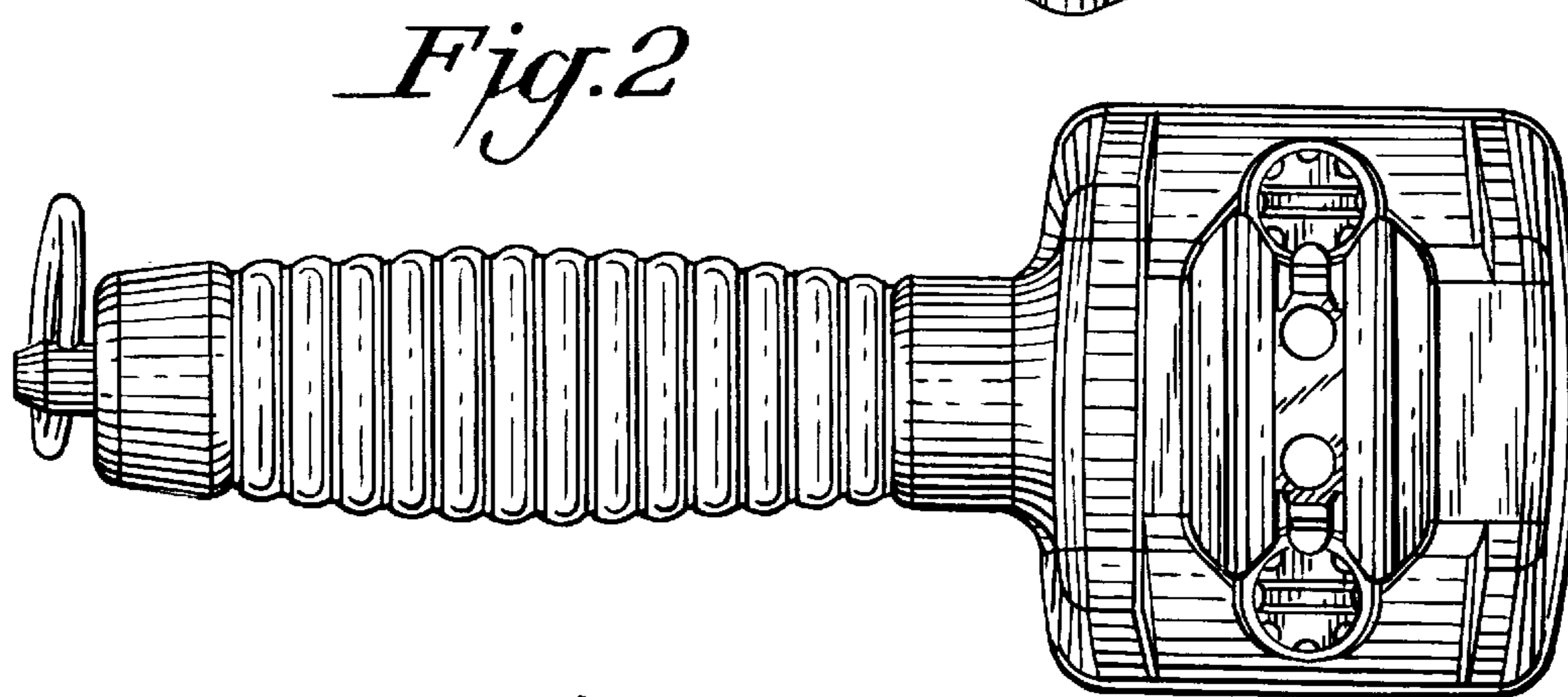
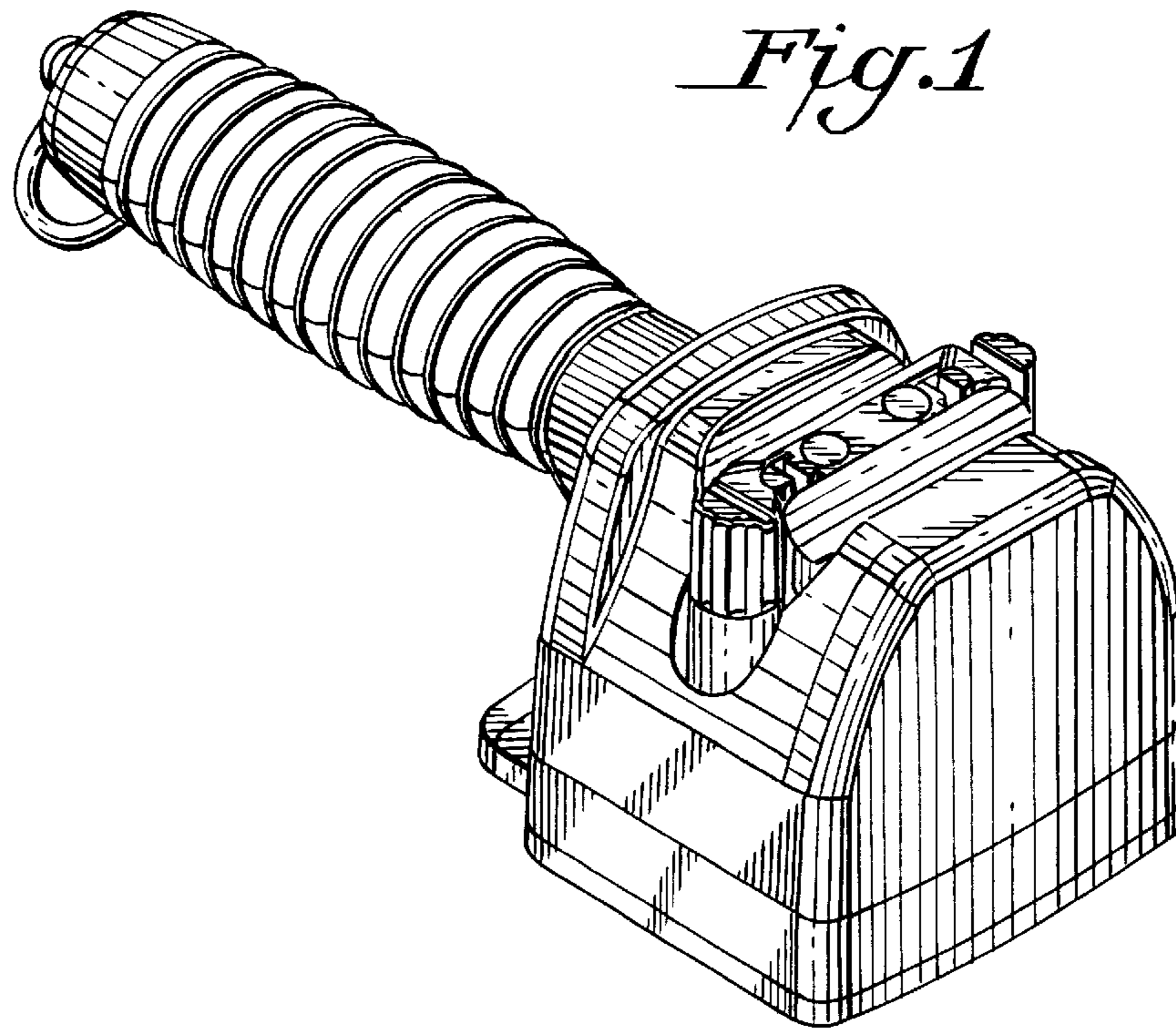


Fig. 4

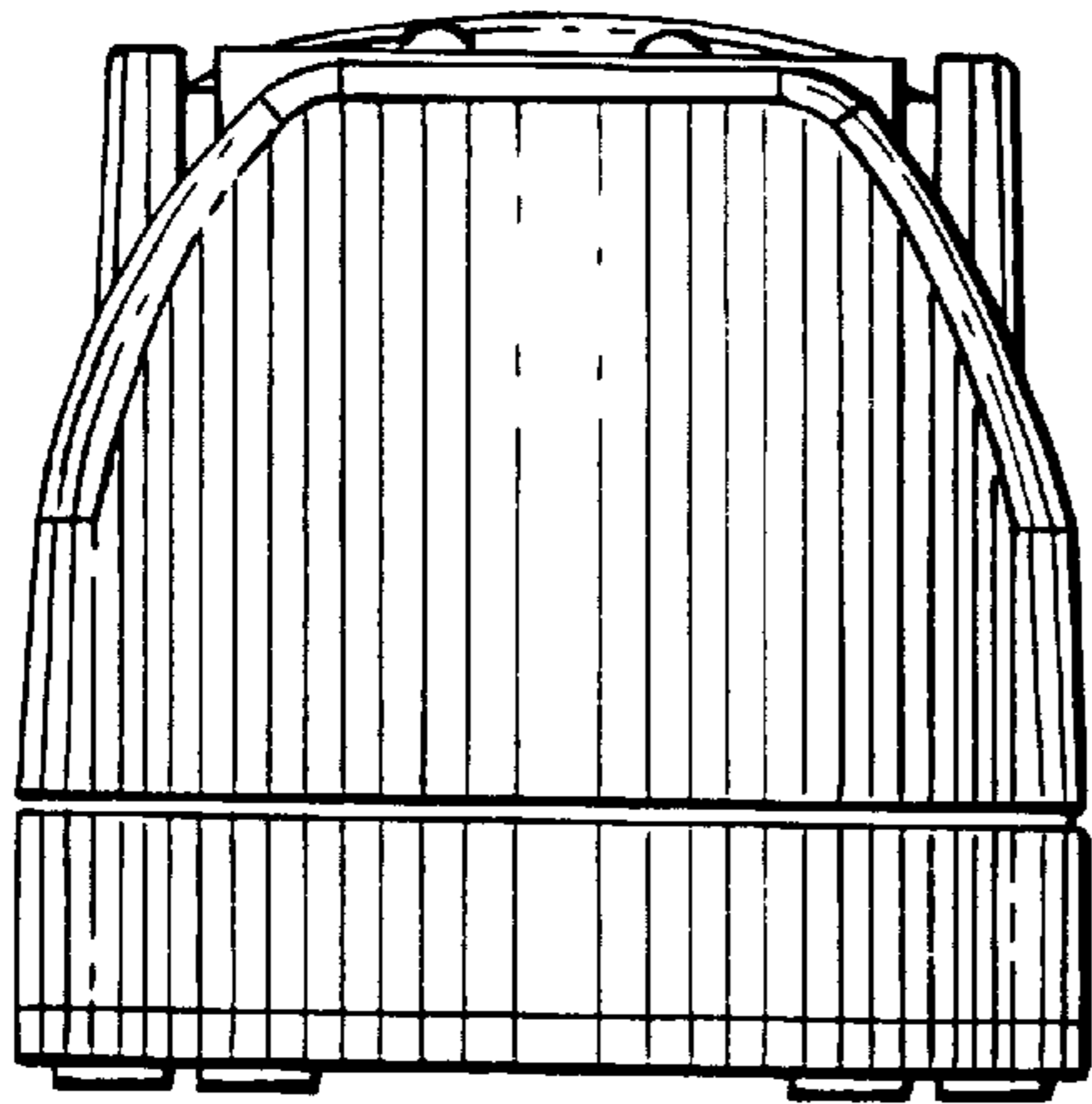


Fig. 5

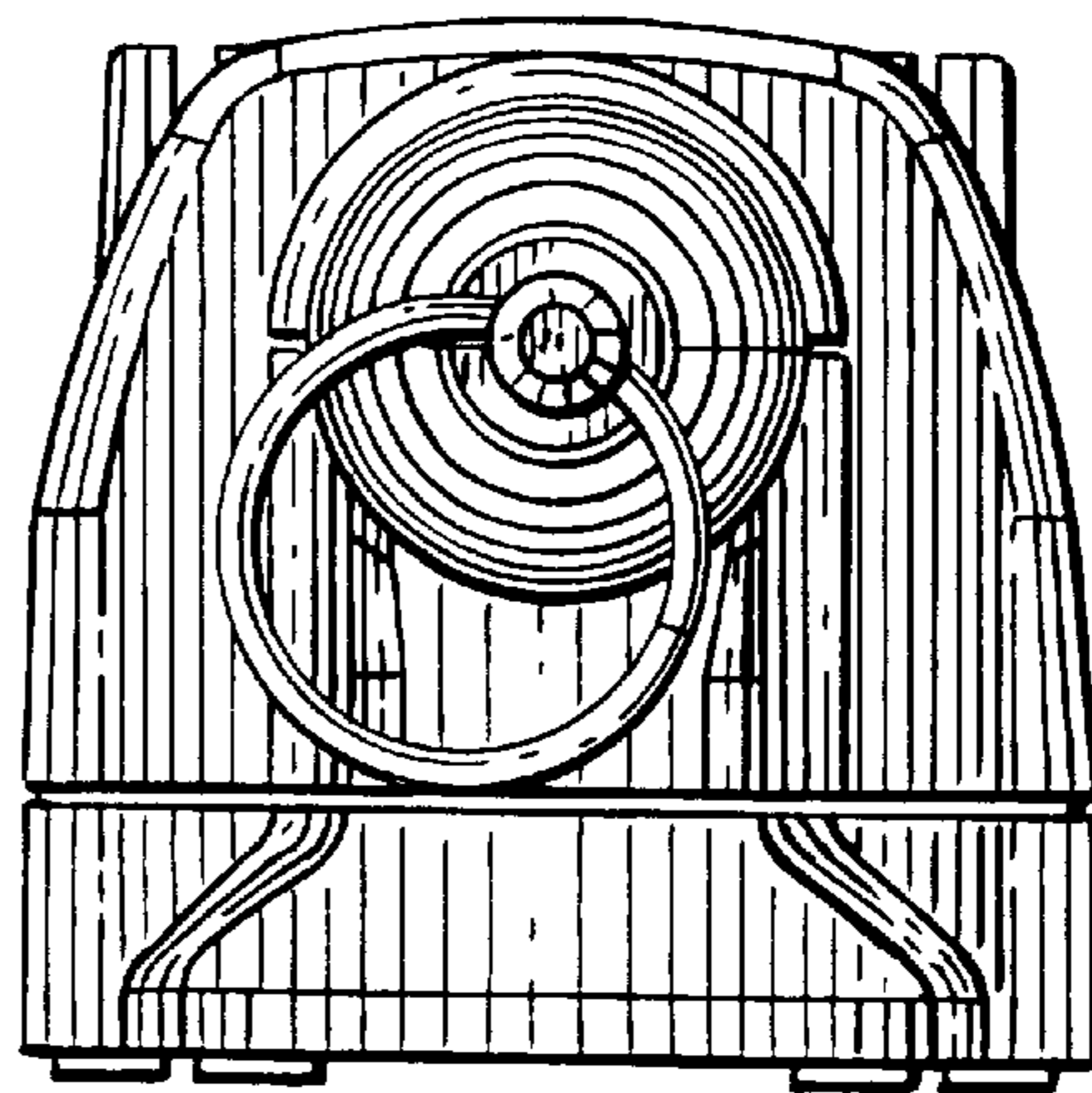


Fig. 6

